

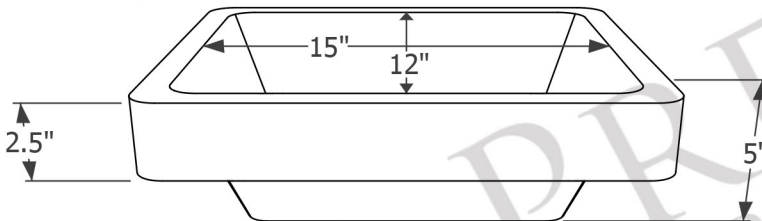
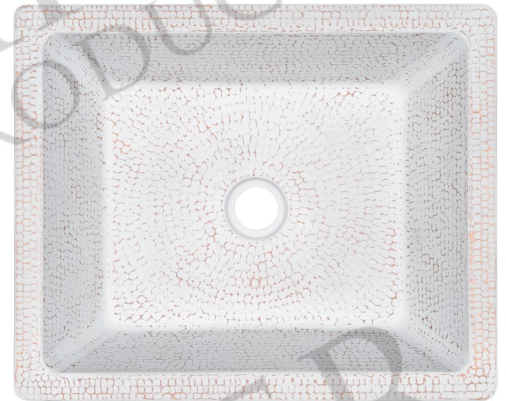
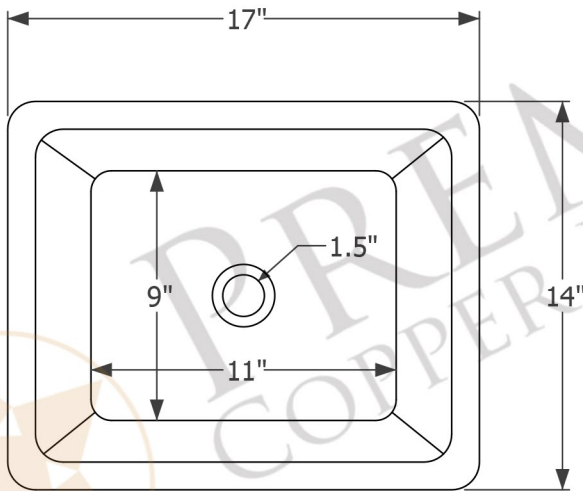


PREMIER  
COPPER PRODUCTS

## MODEL NUMBER: VREC17SKWHT

- \* Description: 17" Rectangle Skirted Vessel Hammered Copper Sink
- \* Outer Dimension: 17" x 14" x 5"
- \* Inner Dimension: 15" x 12"
- \* Skirt: 2.5"
- \* Drain Opening: 1.5"
- \* Finish: Glazed White

\* WHT: Glazed White



THIS PRODUCT IS HAND CRAFTED, SMALL VARIANCES IN COLOR AND SIZE MAY OCCUR.  
DO NOT MAKE ANY INSTALLATION CUTS UNTIL YOU RECEIVE YOUR ITEM(S).