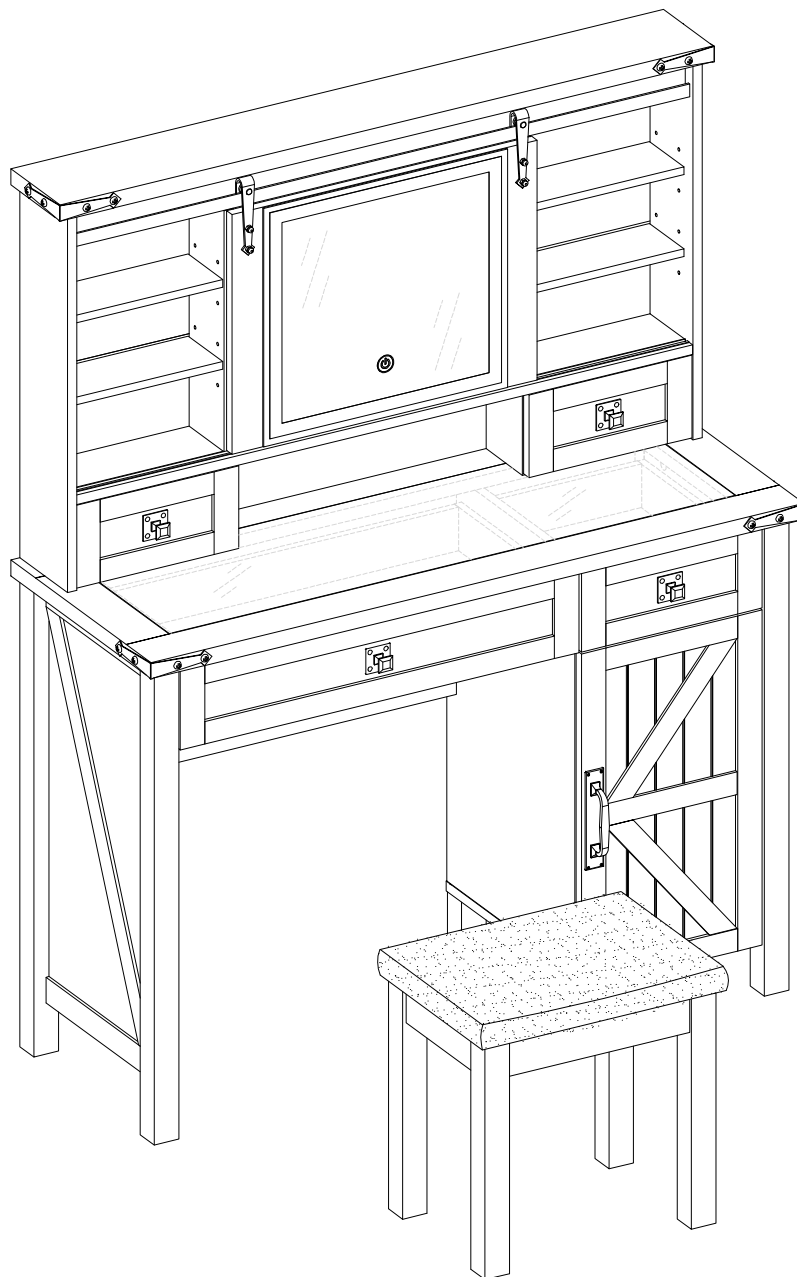


# AI-BDC42VDWS

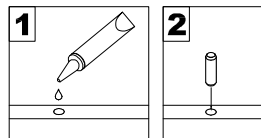
## Assembly Instructions



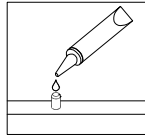
Customer Service E-mail Address : [xiuxiumaoyius@163.com](mailto:xiuxiumaoyius@163.com)

# General Assembly Guidelines

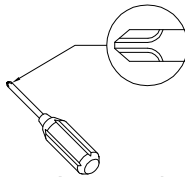
- I. Ensure that all parts and hardware are available before beginning assembly.
- II. Follow each step carefully to ensure the proper assembly of this product.
- III. Two people are recommended for ease in the assembly of this product.
- IV. The three main types of hardware used to assemble this product are: wood dowels, screws and bolts.
- V. The provided glue is to secure wood dowels in place. When first inserting dowels, locate the appropriate hole for the dowel, place a small amount of glue in the hole and insert the dowel. Wipe away excess glue immediately.



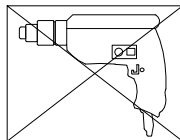
In future assembly steps when dowels are necessary to attach assembly parts together, place a small amount of glue on the end of the dowel before attaching parts together. Wipe away excess glue immediately.



- VI. A Phillips head screwdriver is required for the assembly of this product.

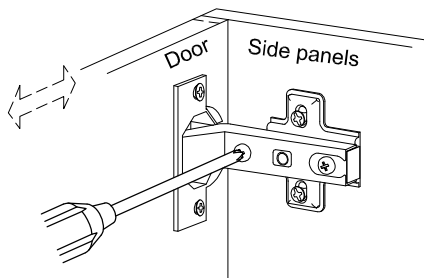


- VII. Power tools should not be used to assemble this product.

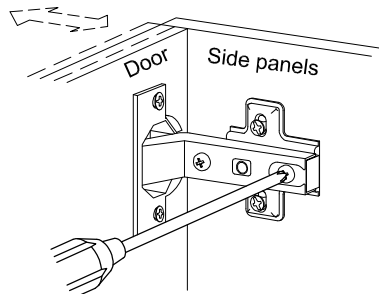


- VIII. Drill may be needed for securing product to wall.

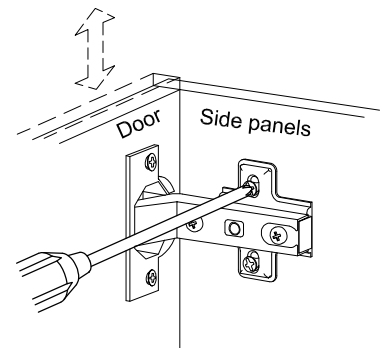
- IX. Concealed hinges are three-way adjustable.



Horizontal  
by screw adjustment



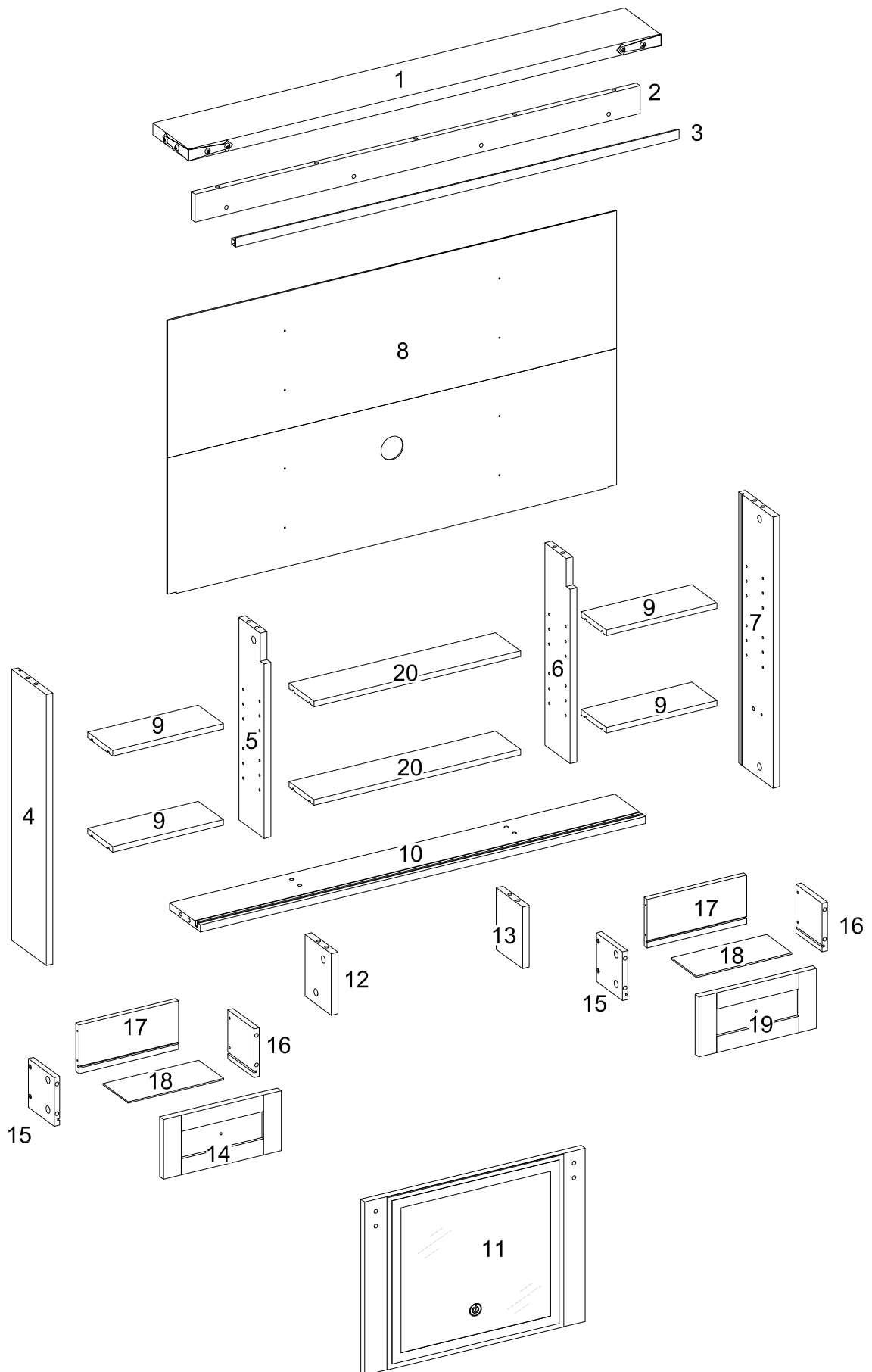
In-and-Out  
by loosening the hinge-arm  
mounting screw or via cam  
adjustment



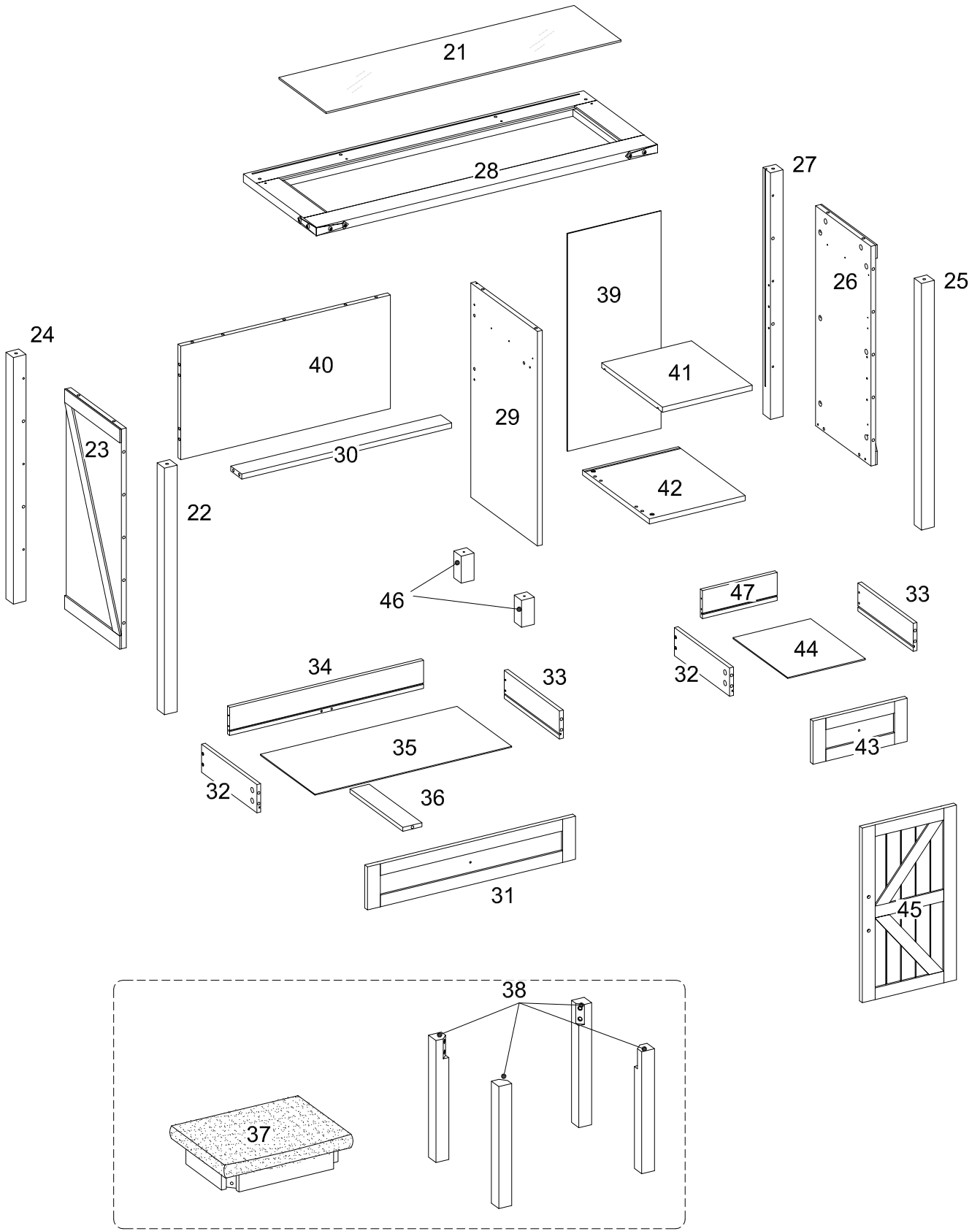
Vertical  
Via slots in the mounting  
plate or via cam adjustment

(EN)








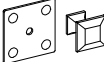
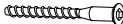








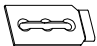


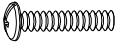
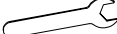
# Parts List(Huntch)





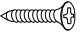


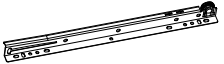
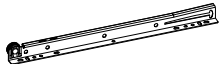



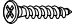

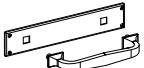
# Parts List(Base & Bench)

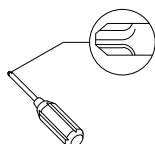


# Hardware List

A		Ø8x30mm	Wooden dowel	40 pcs
B		Ø6x35mm	Cam bolt	59 pcs
C		Ø15x11mm	Cam lock	42 pcs
D		Ø30mm	Sticker	42 pcs
E			Shelf support pin	28 pcs
F			Glue tube	1 pcs
G		Ø4x12mm	Handle bolt	2 pcs
H			Handle	4 pcs
J		Ø6x50mm	Screw	6 pcs
K		Ø6x50mm	Bolt	8 pcs
L		Ø15x9mm	Small Cam lock	17 pcs
M		Ø30mm	Drawer sticker	17 pcs
N		Ø4x12mm	Screw	12 pcs
O		M 4	Hex key	1 pcs
P			Plastic wedge	14 pcs
Q		Ø3x17mm	Flat-head screw	14 pcs
R		Ø4x38mm	Screw	18 pcs
S			Plate	2 pcs
T			Pulley	2 pcs
U			Nut	4 pcs
V		Ø6x25mm	Bolt	8 pcs
W			Wrench	1 pc

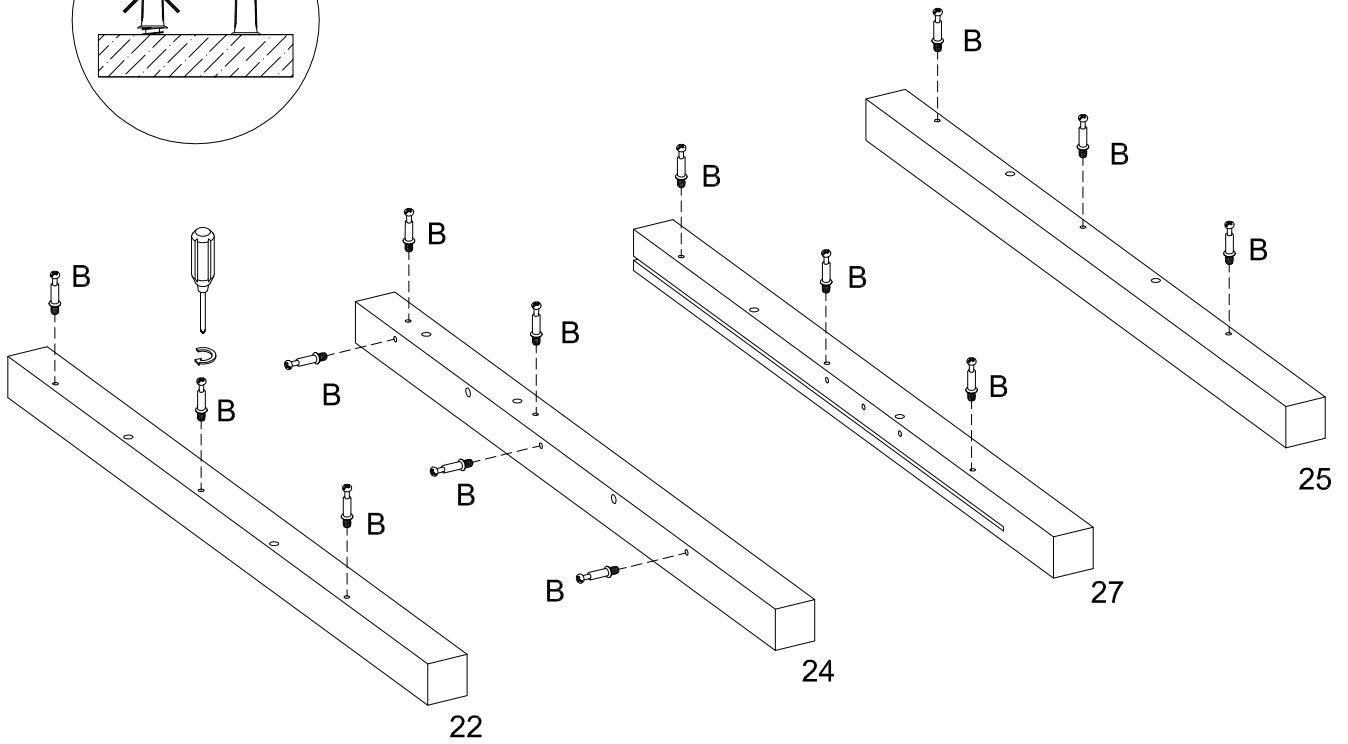
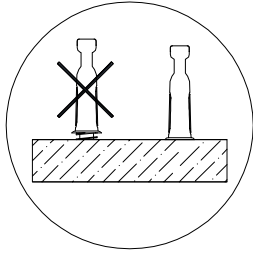
# Hardware List

X		Ø13x1mm	Lock Washer	8 pcs
Y		Ø16x1mm	Flat Washer	8 pcs
Z		Ø3.5x12mm	Screw	24 pcs
AA		12"	Left cabinet member	2 pcs
BB		12"	Right cabinet member	2 pcs
CC		12"	Left drawer runner	2 pcs
DD		12"	Right drawer runner	2 pcs
EE			Tipping Restraint Hardware	2 set
FF			Power plug	1 pcs
GG		Ø4x16mm	Handle bolt	4 pcs
HH		Ø3.5x14mm	Hinge screw	8 pcs
JJ		Ø35mm	Europe Hinge	2 pcs
KK			Handle	1 pcs

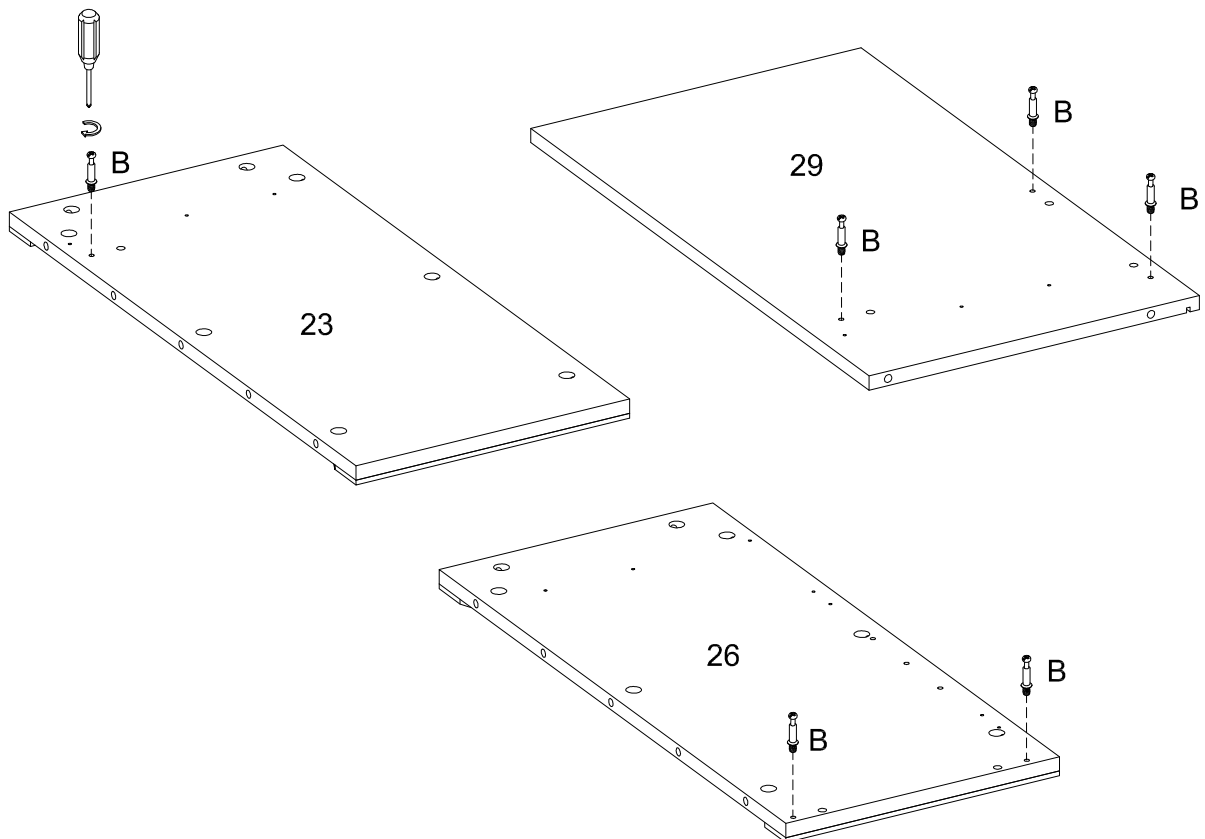


Philips head screwdriver required for assembly  
(not included)

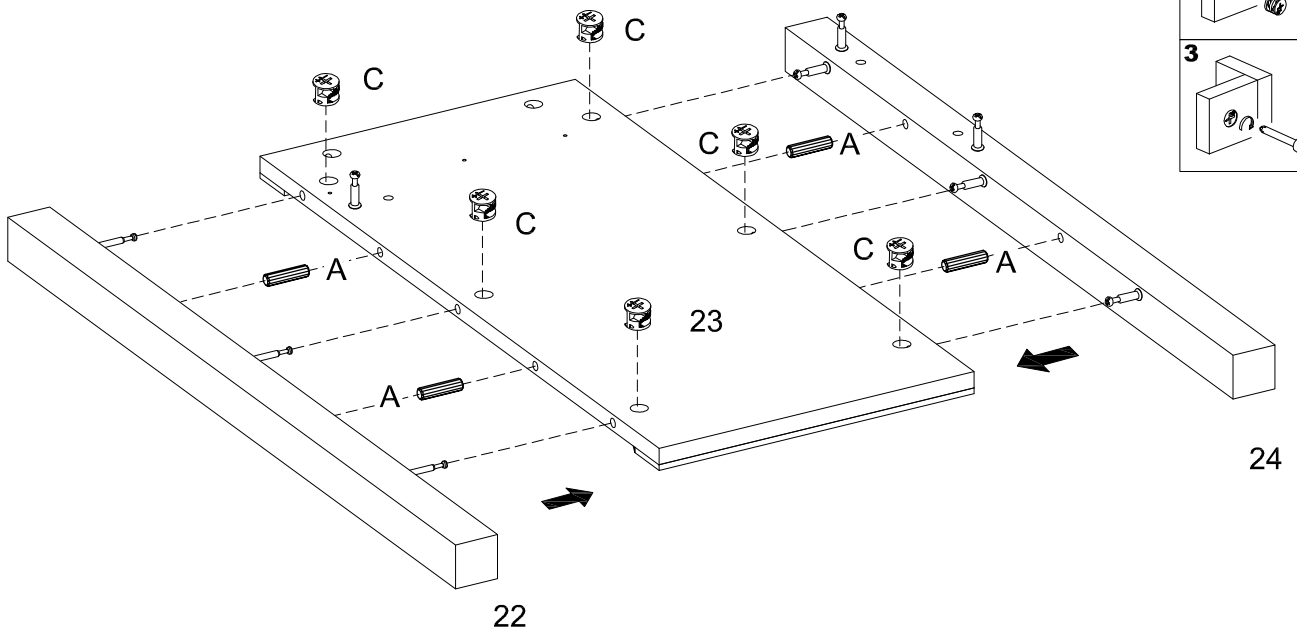
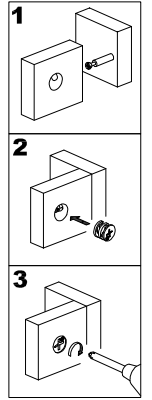
# Step 1



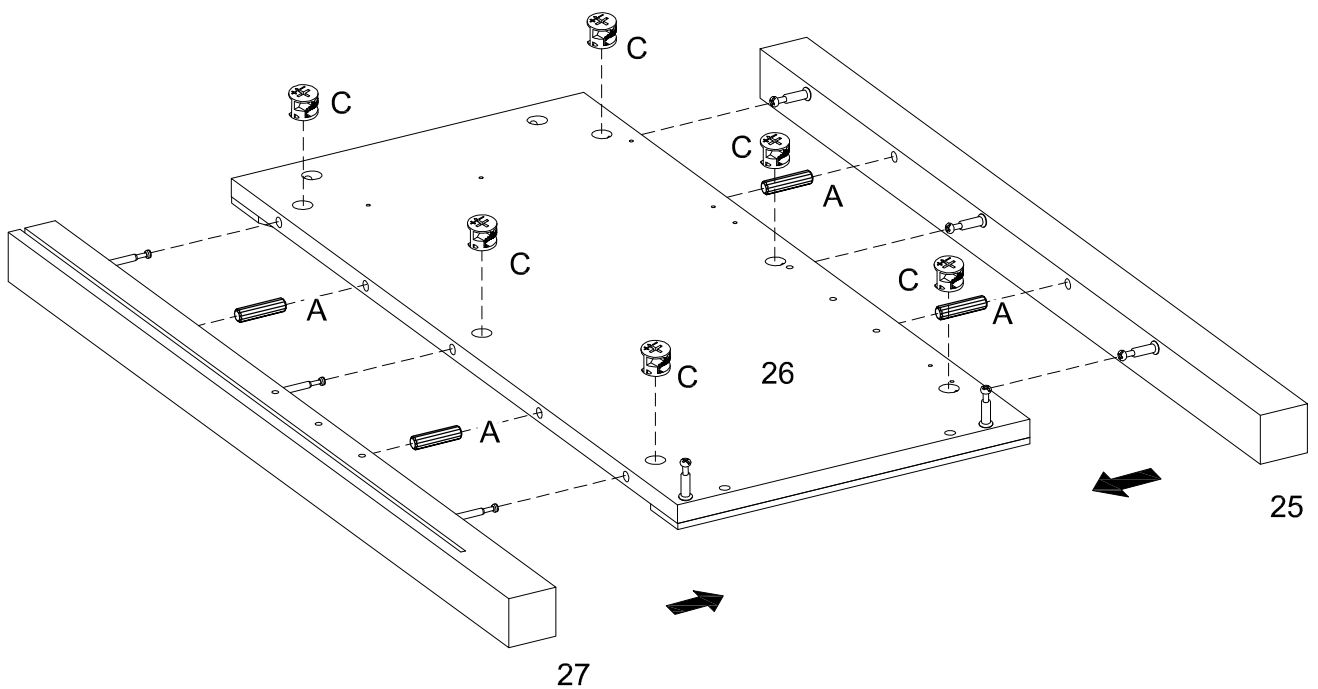
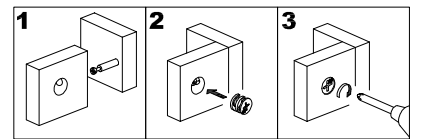
# Step 2



# Step 3

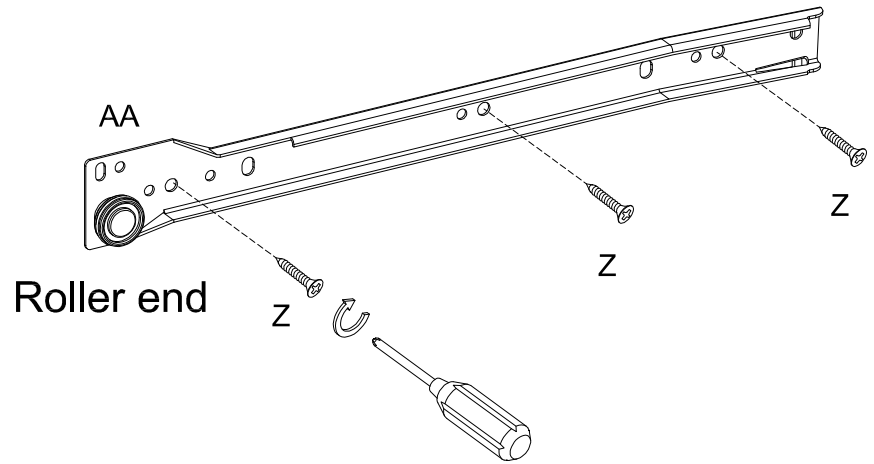
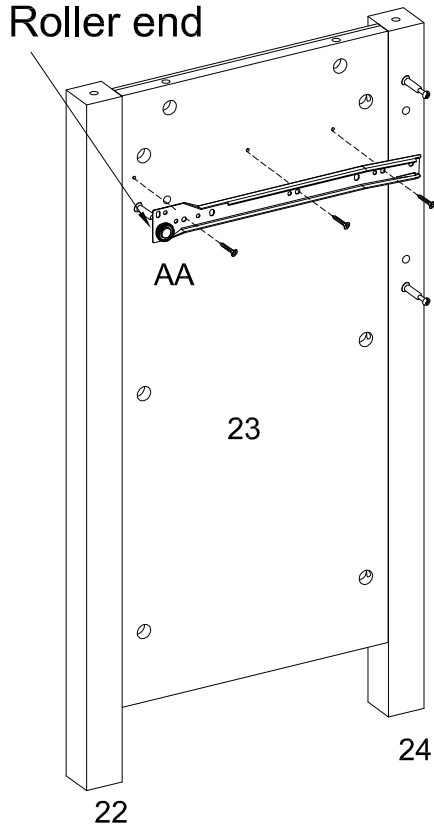


# Step 4



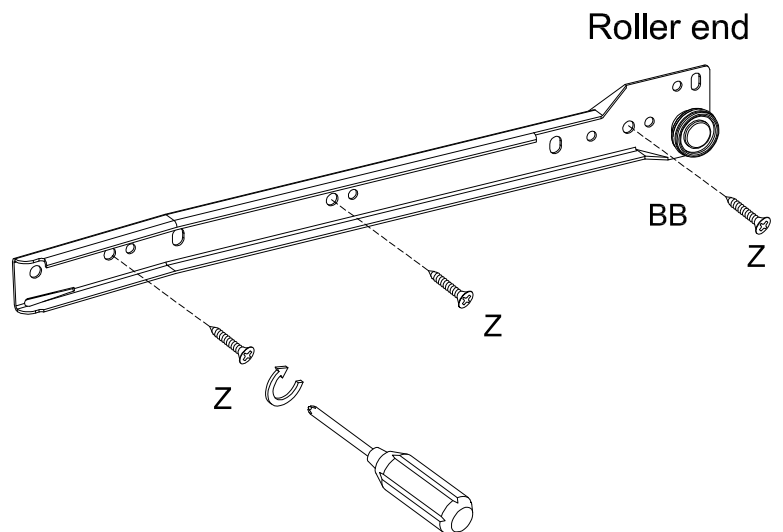
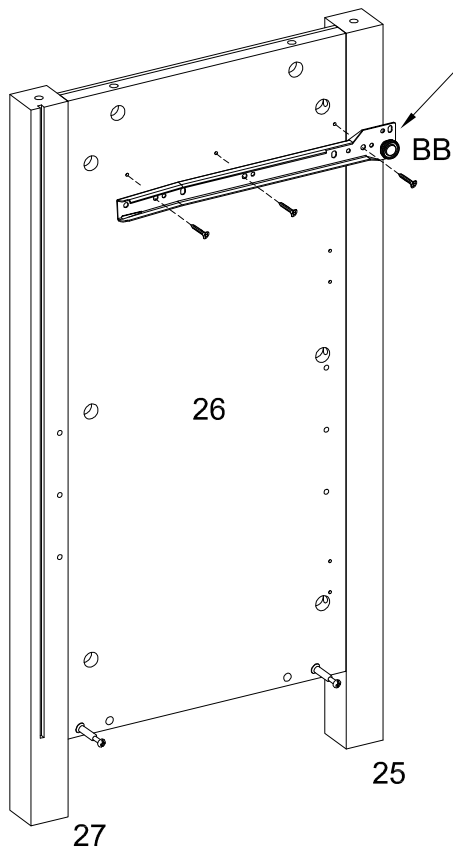
# Step 5

Roller end

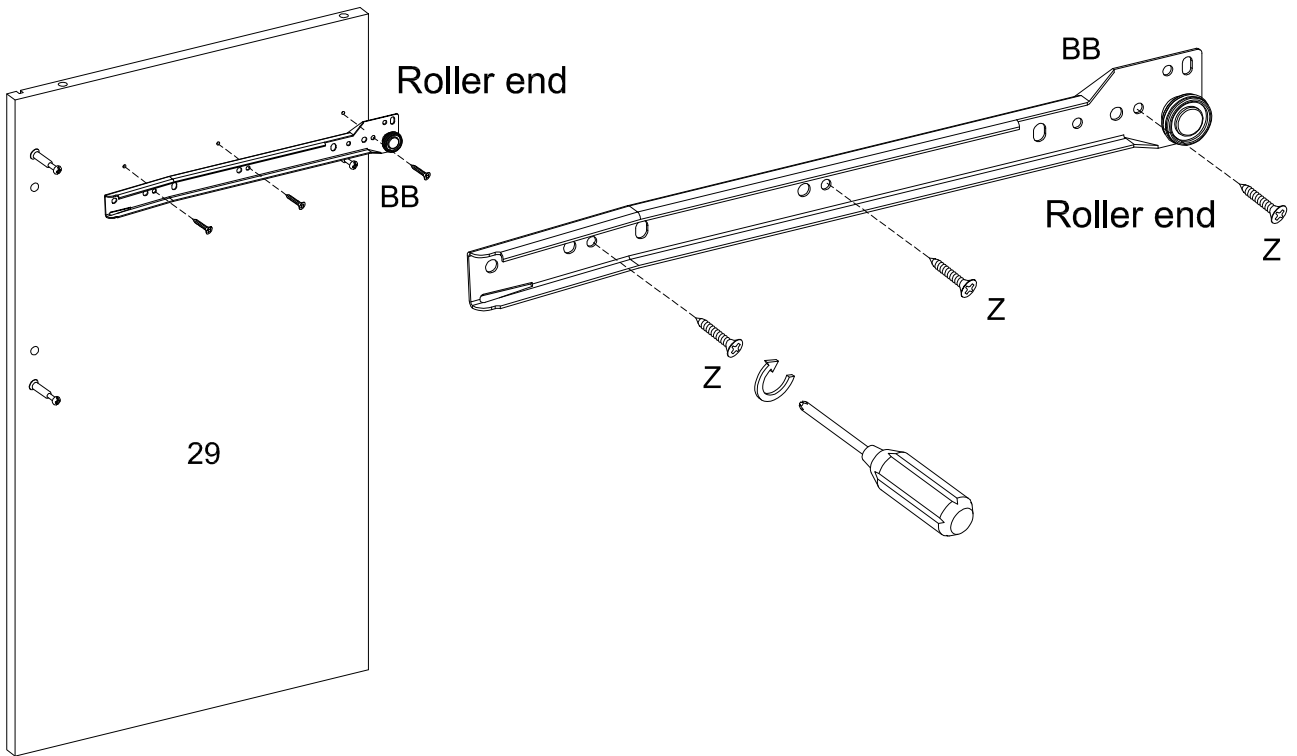


# Step 6

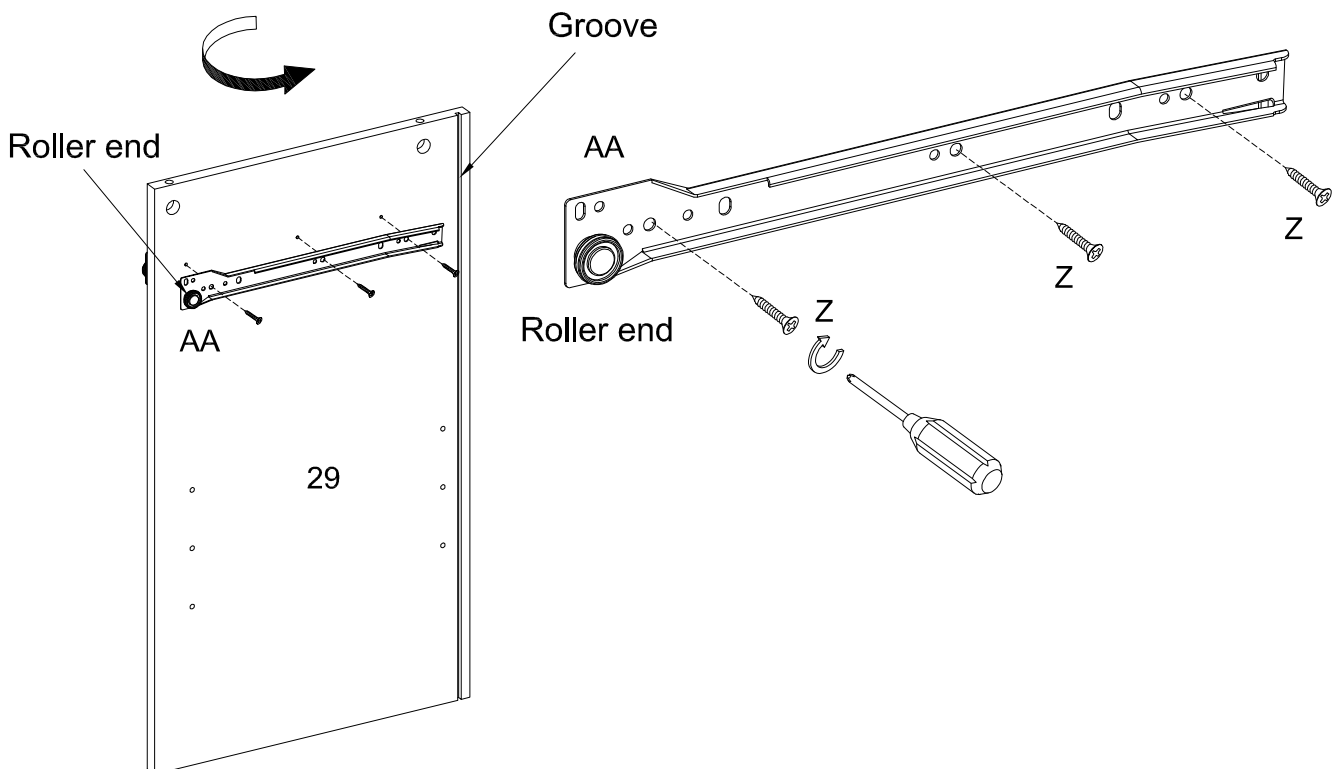
Roller end



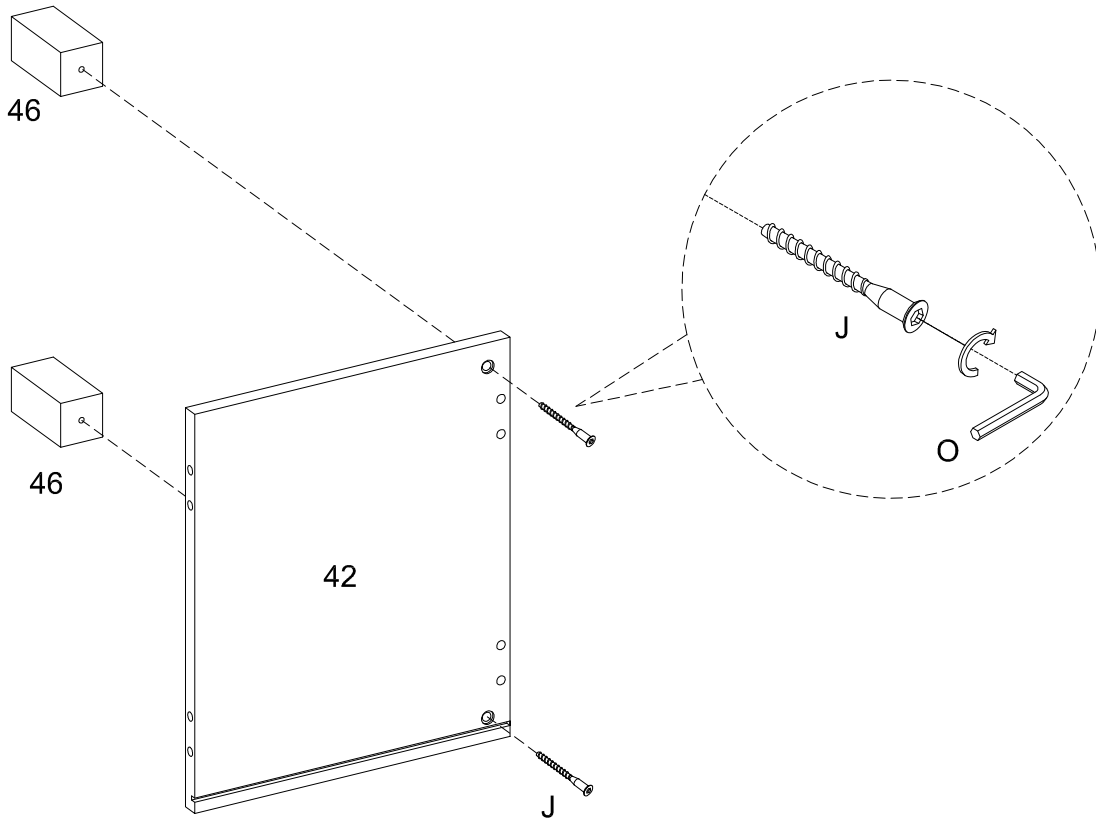
# Step 7



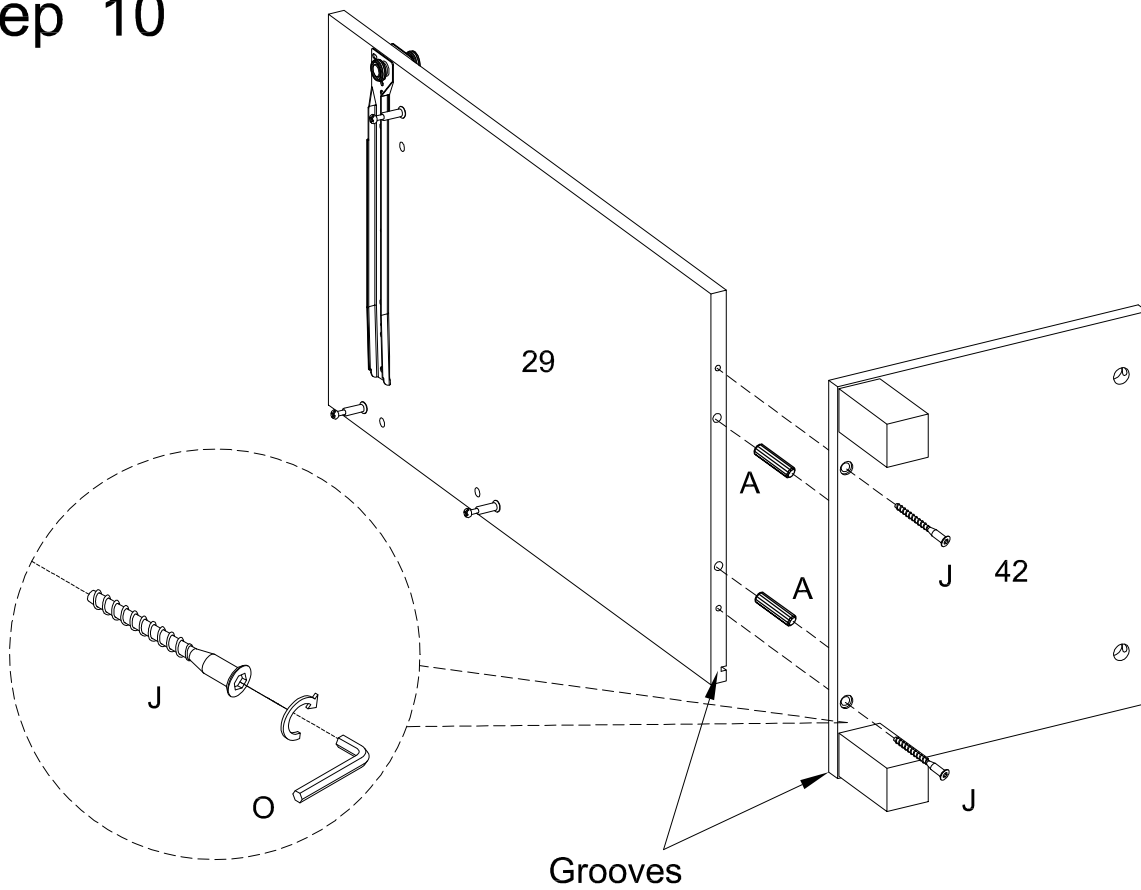
# Step 8



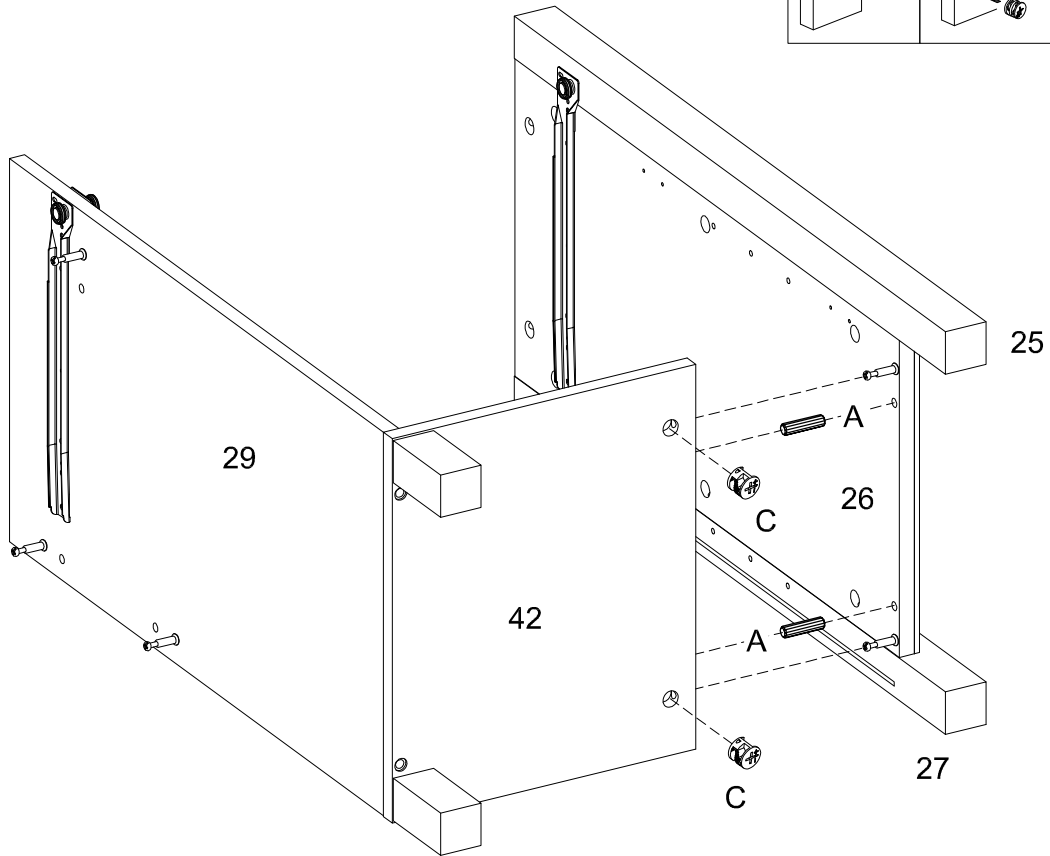
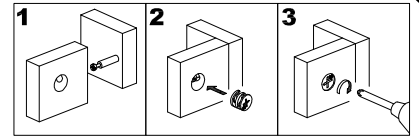
# Step 9



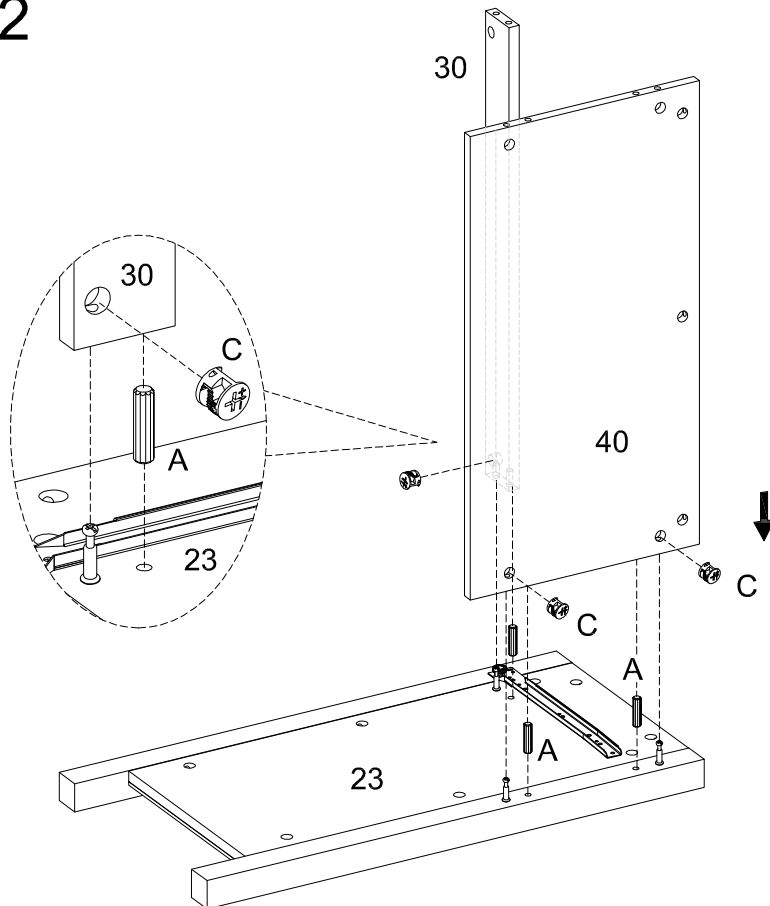
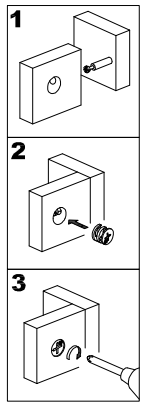
# Step 10



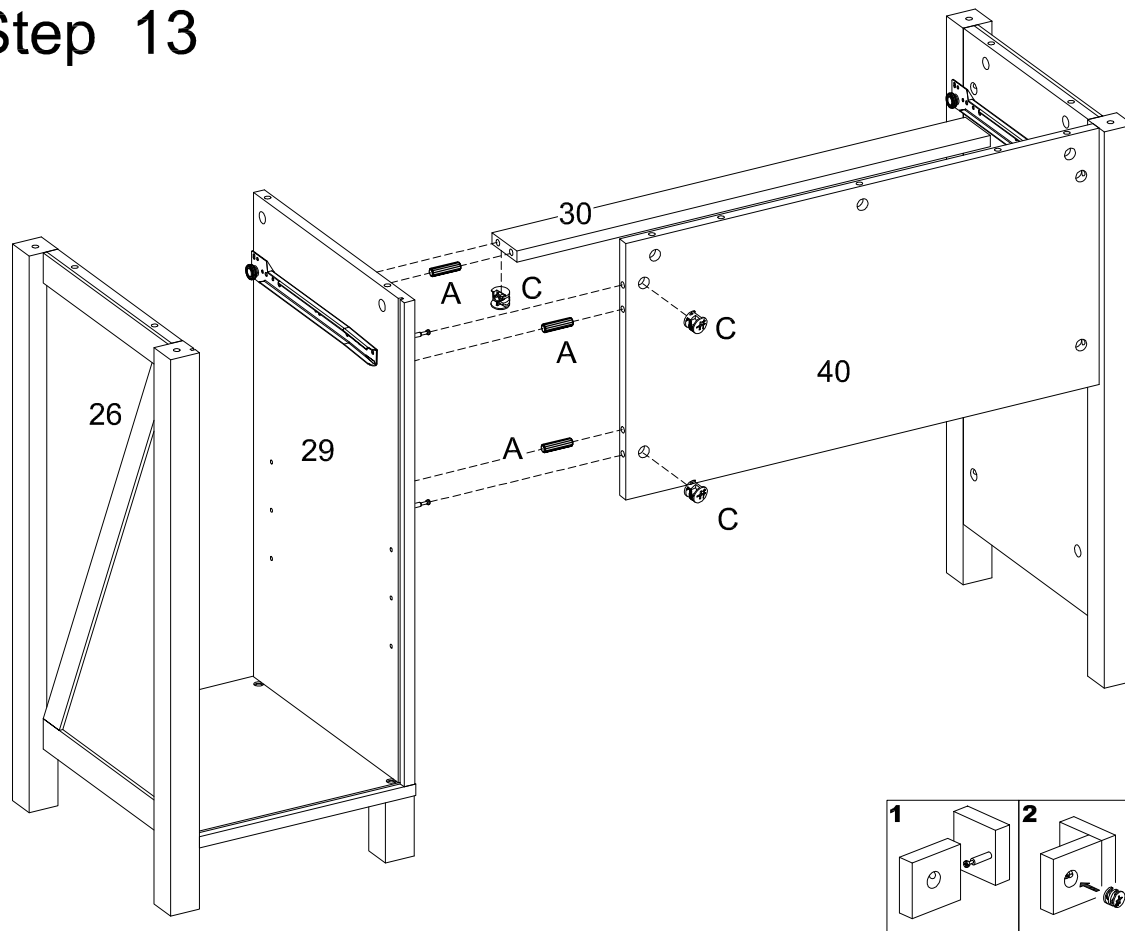
# Step 11



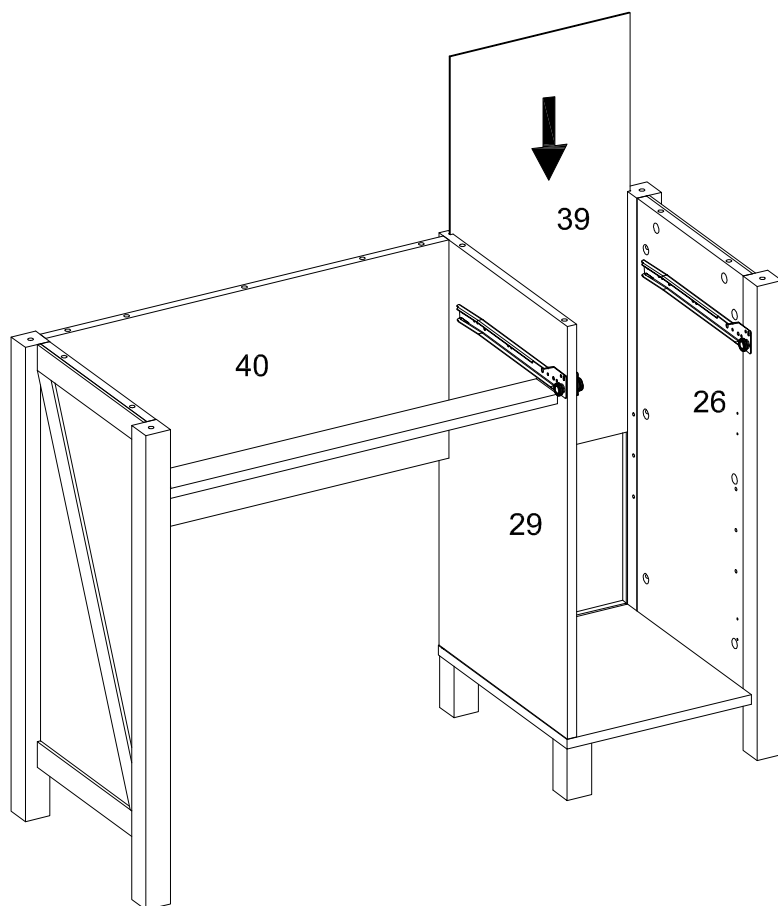
# Step 12



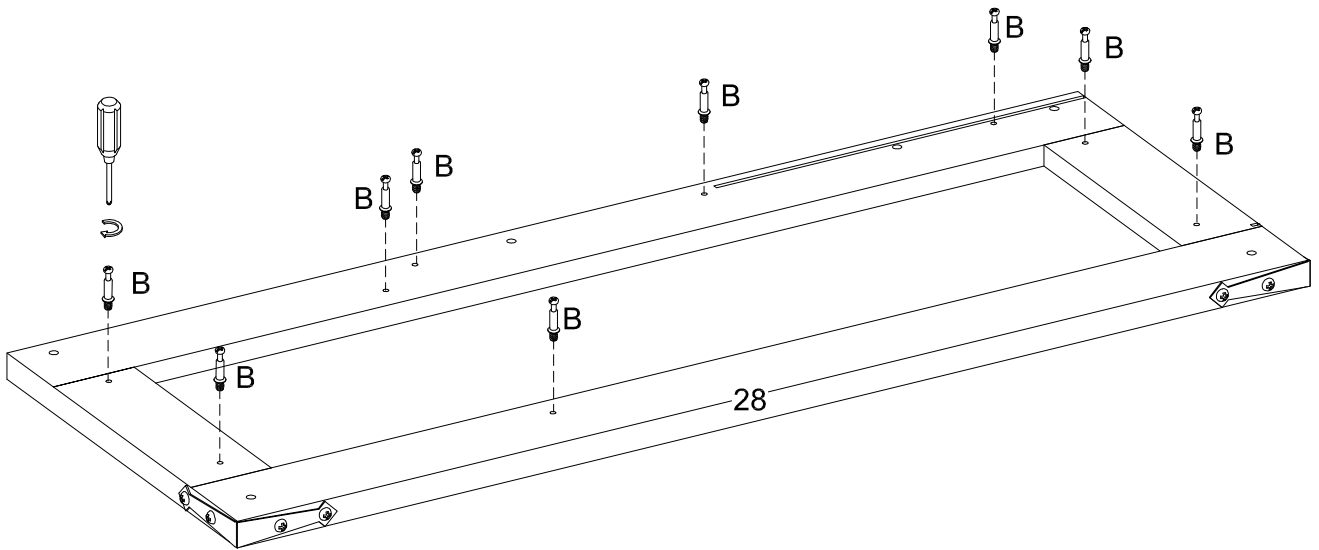
# Step 13



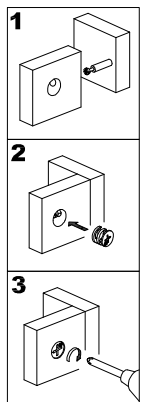
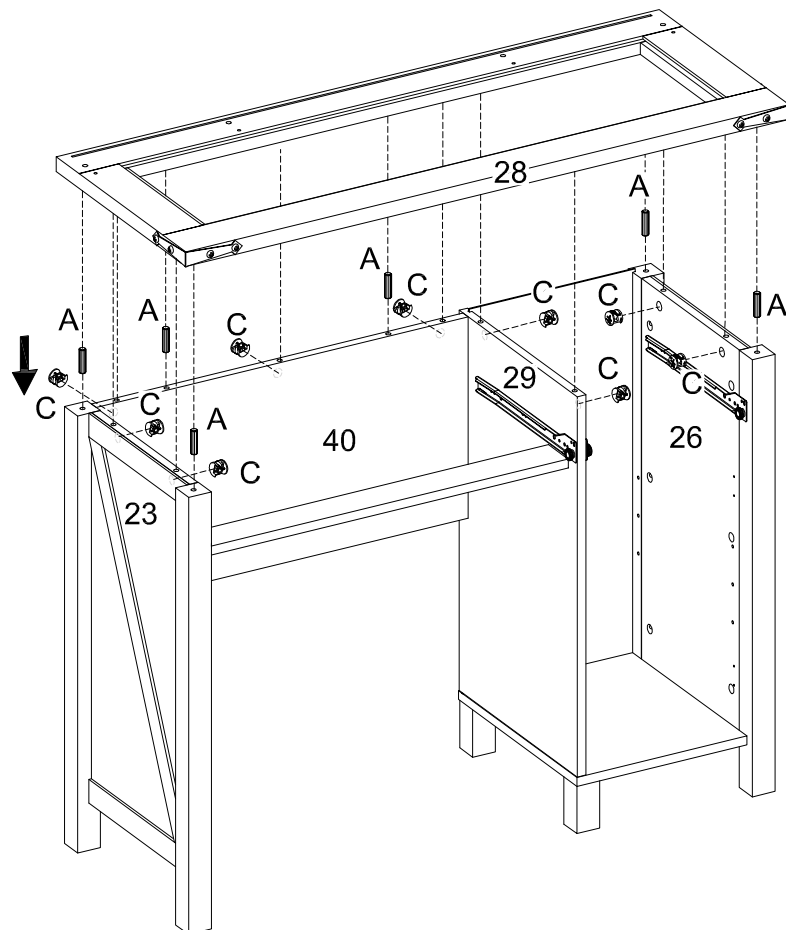
# Step 14



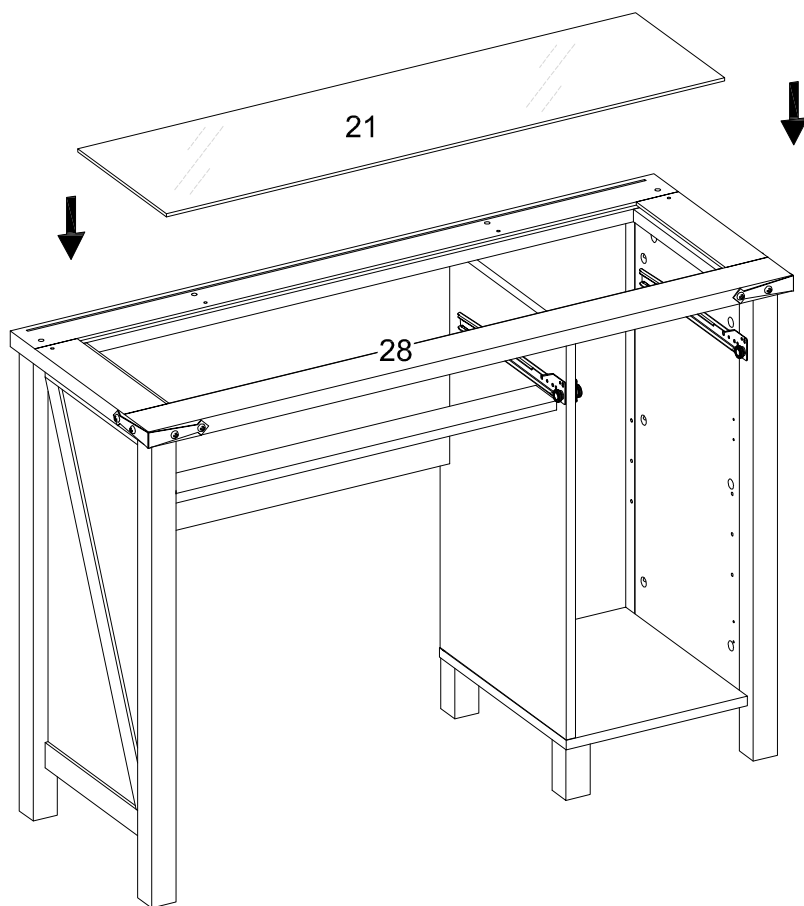
# Step 15



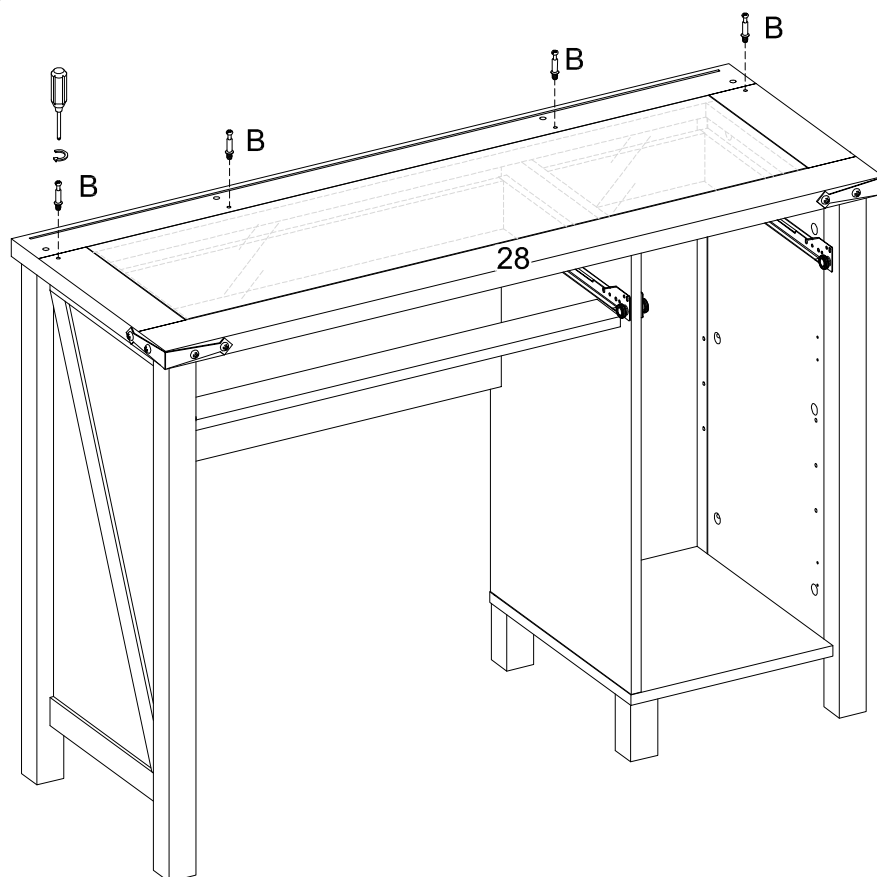
# Step 16



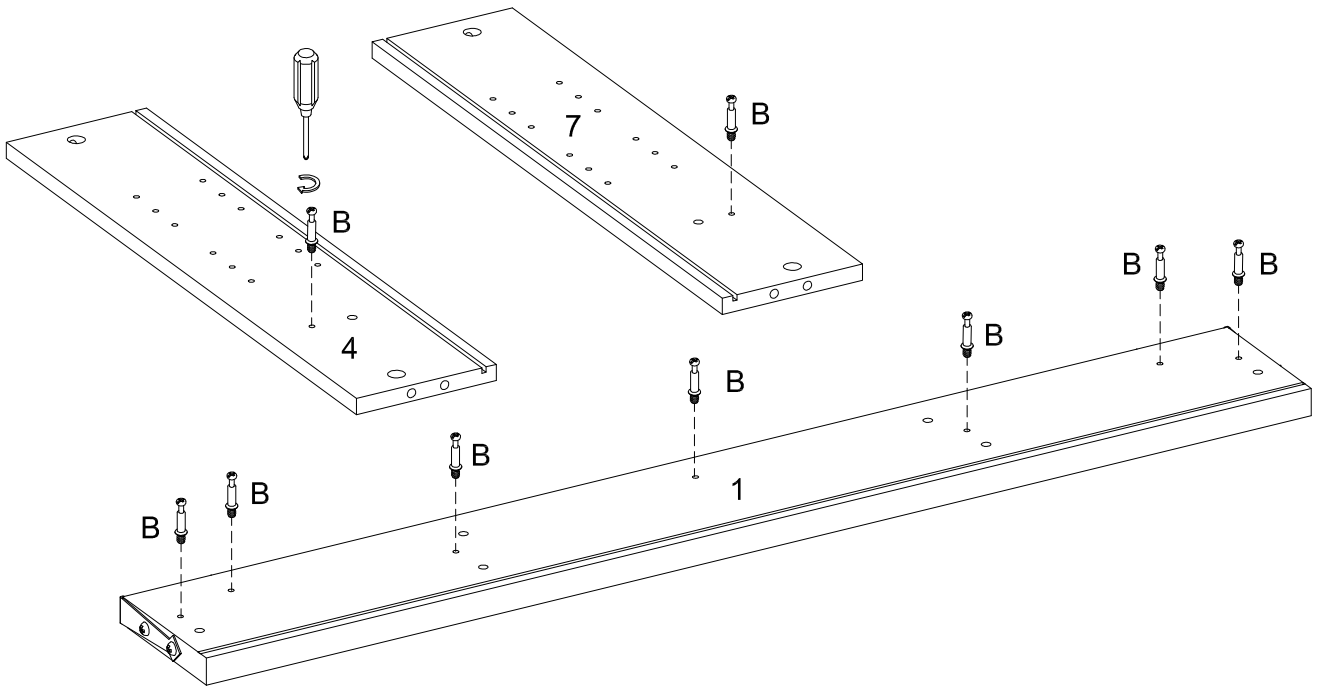
# Step 17



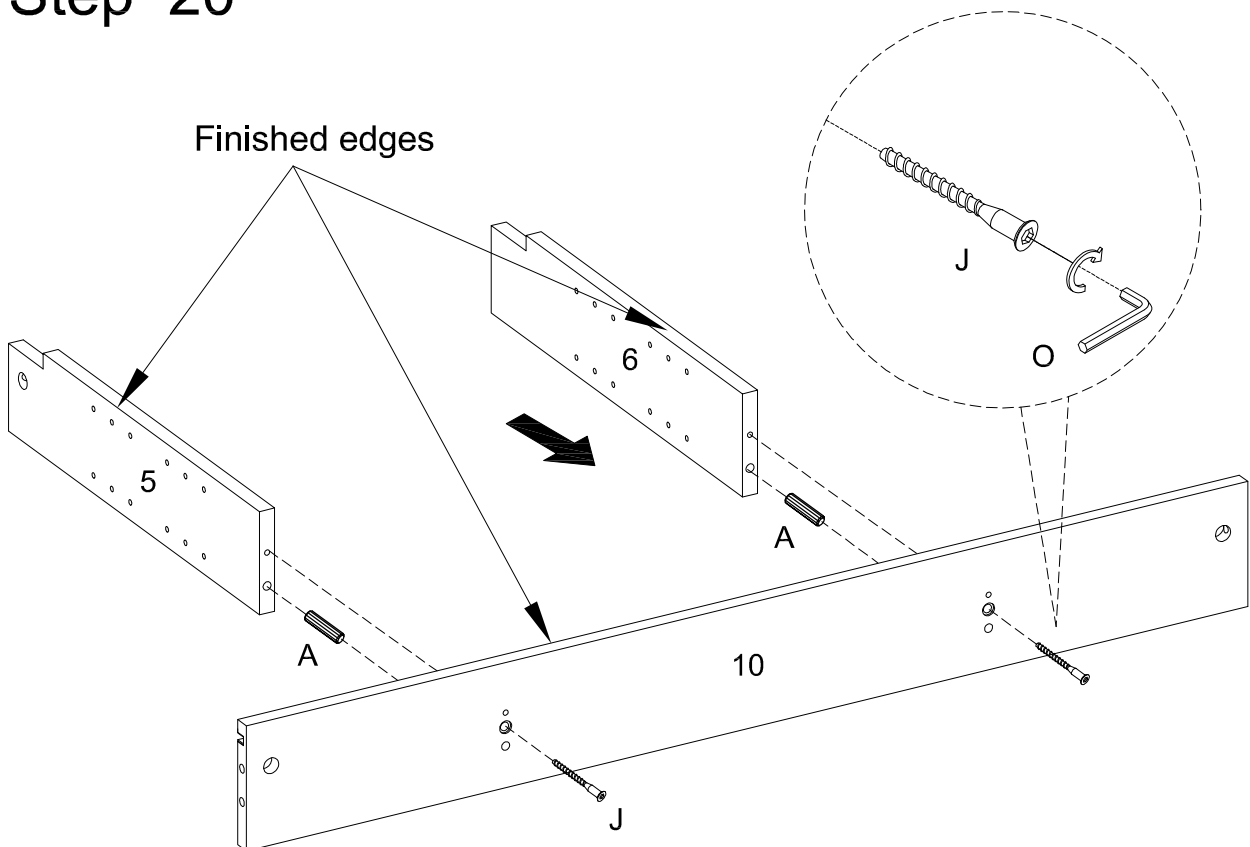
# Step 18



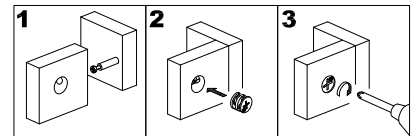
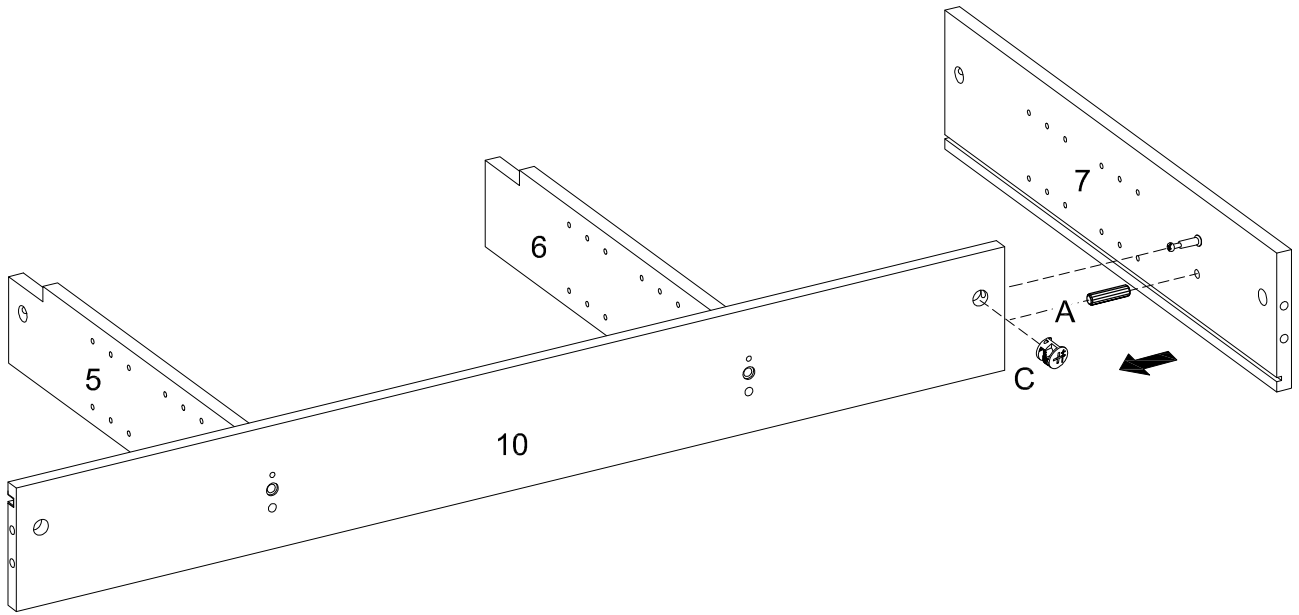
# Step 19



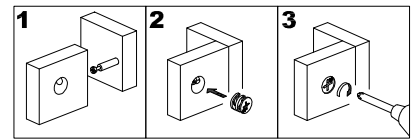
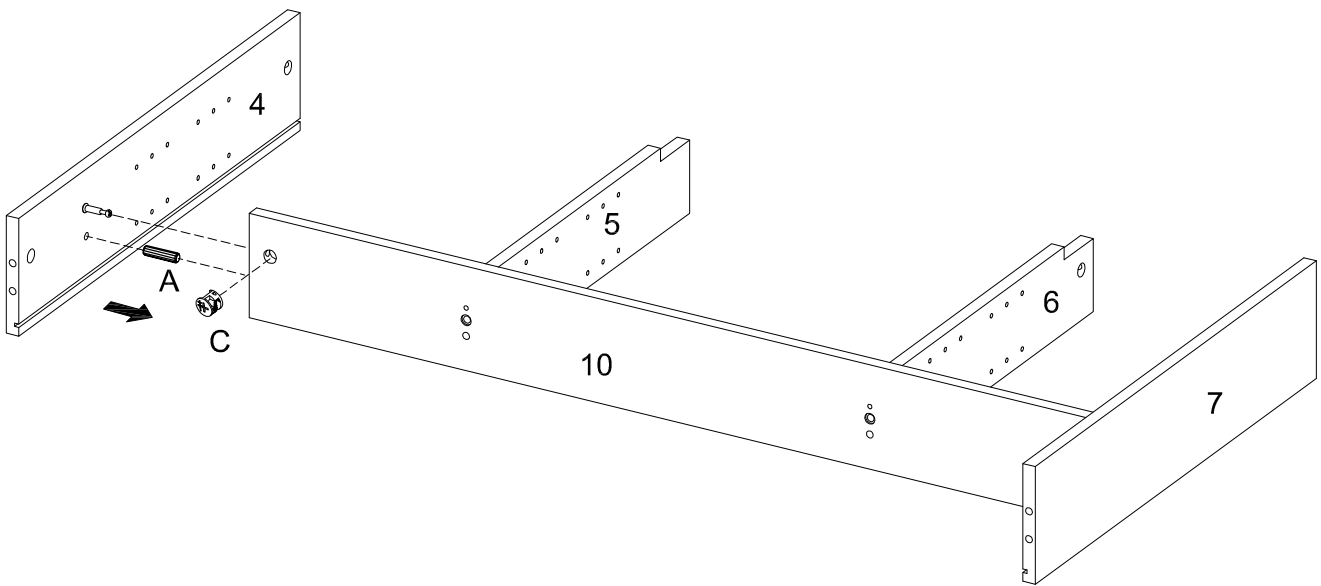
# Step 20



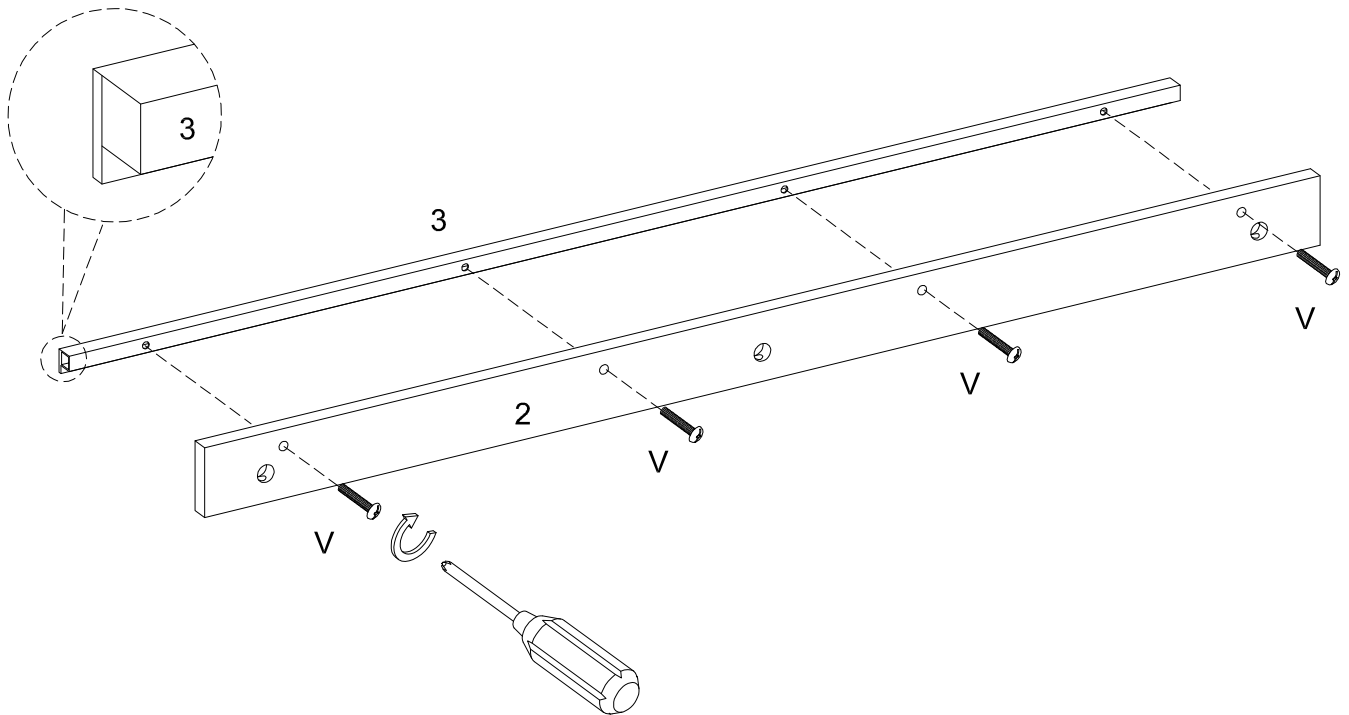
# Step 21



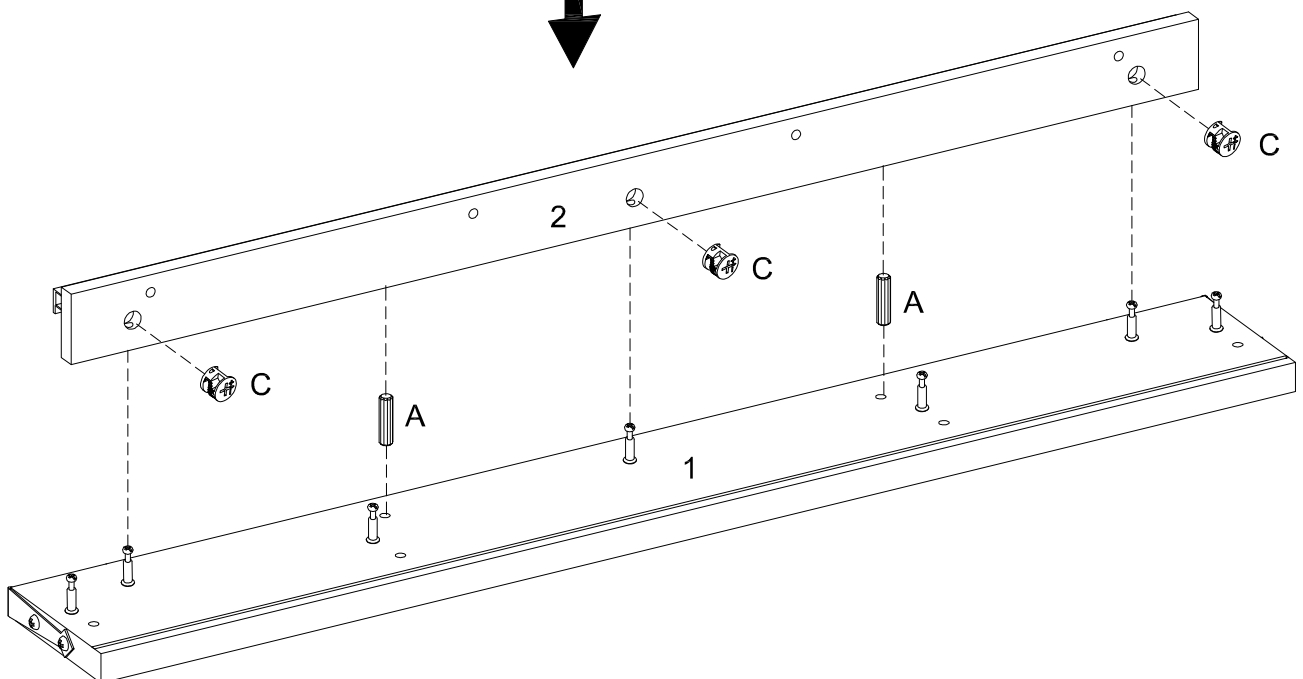
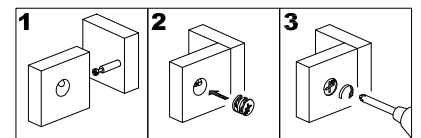
# Step 22



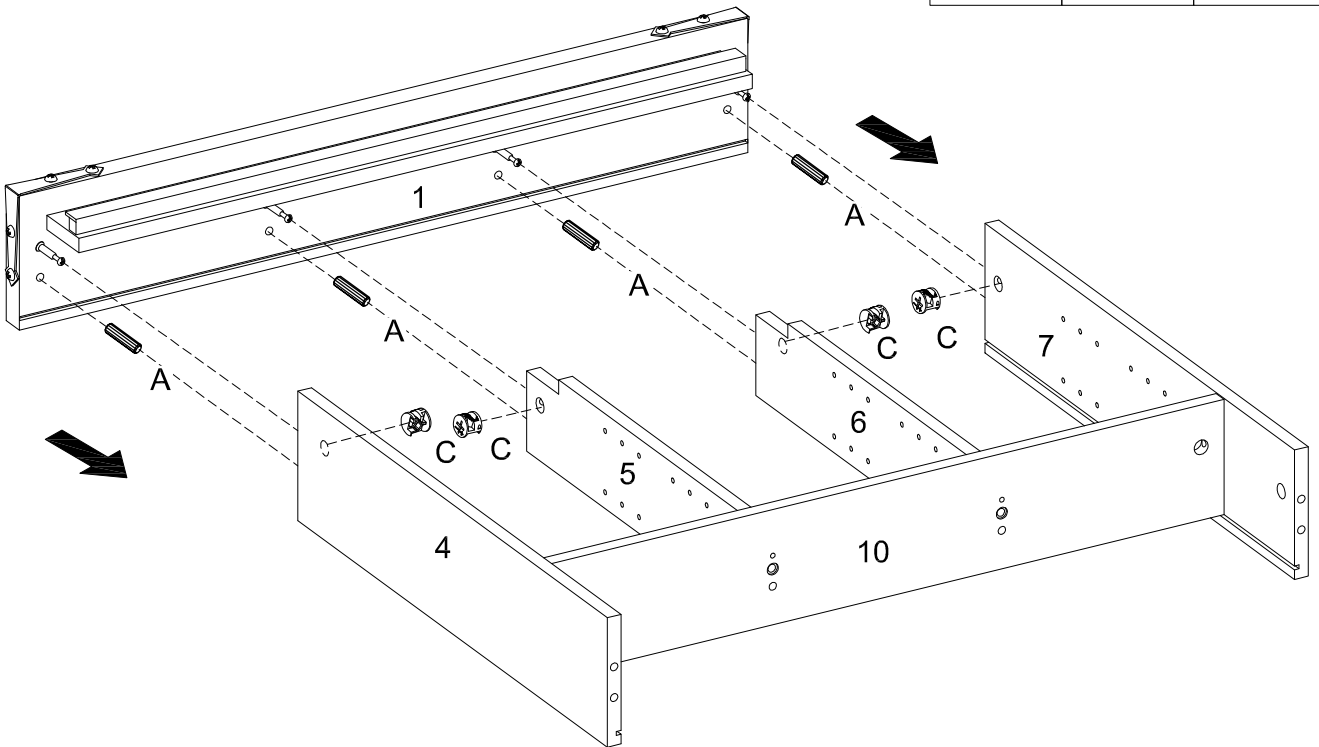
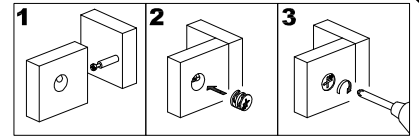
# Step 23



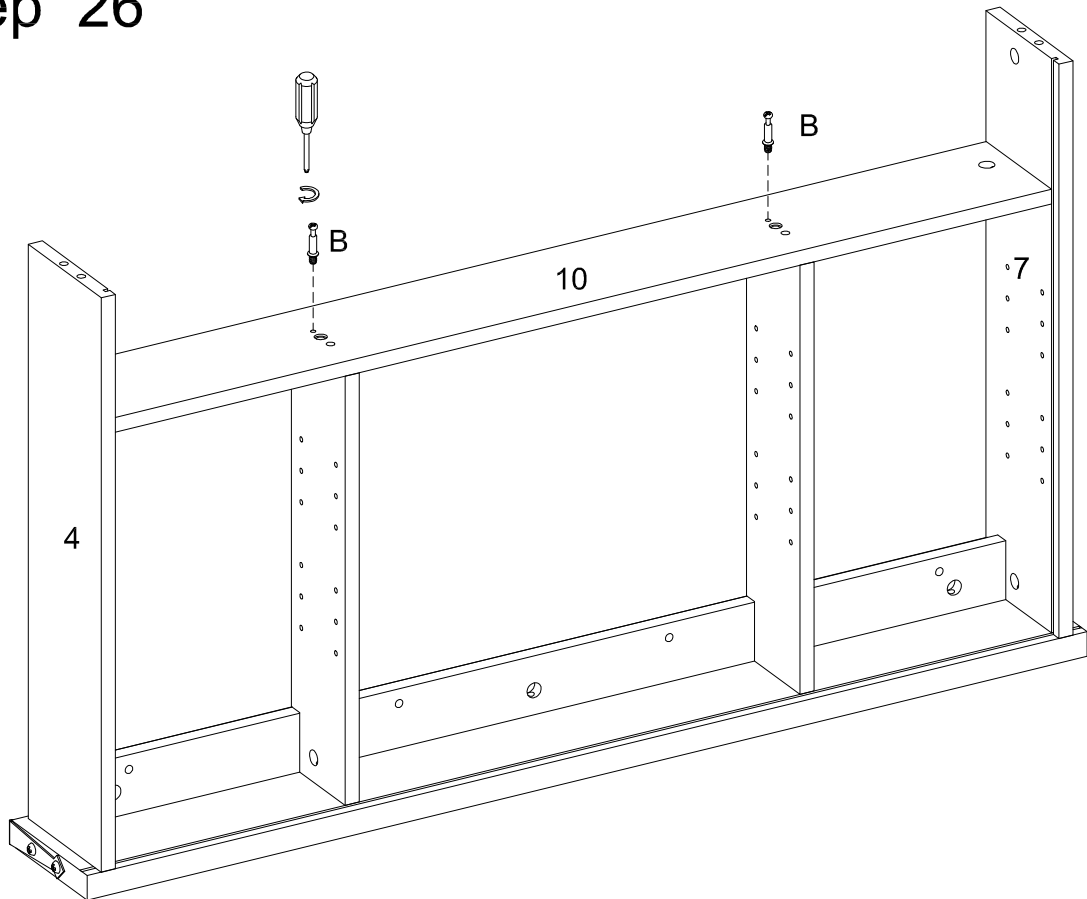
# Step 24



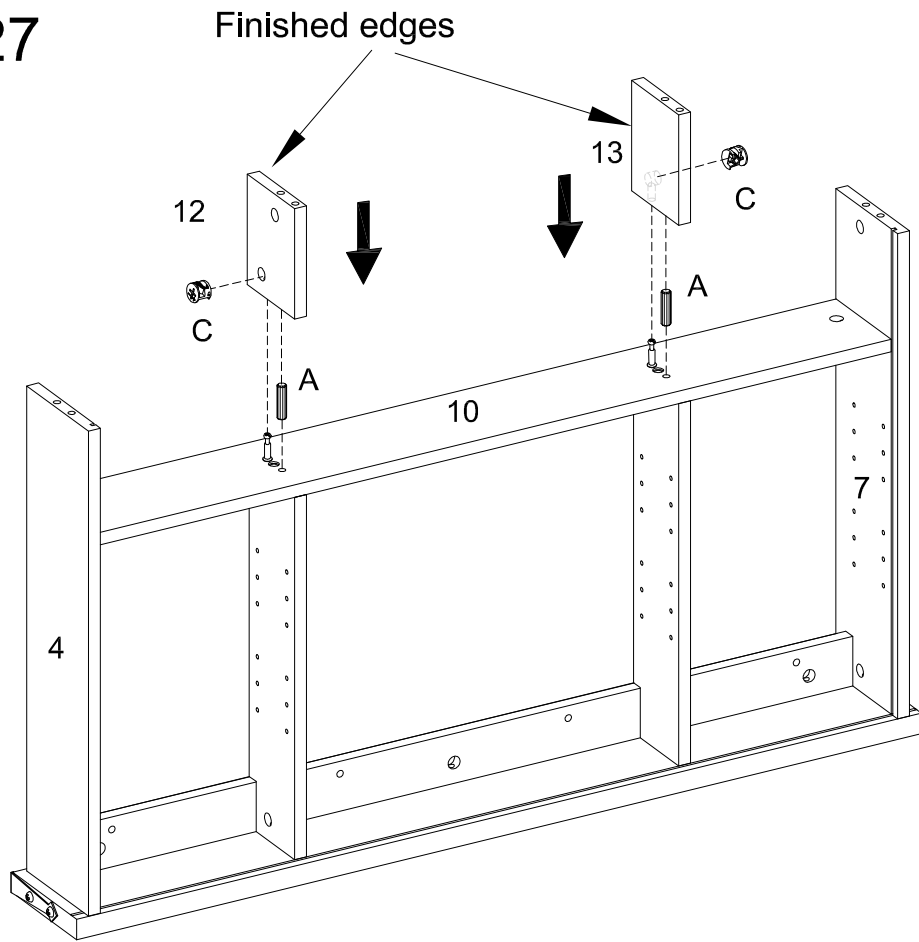
# Step 25



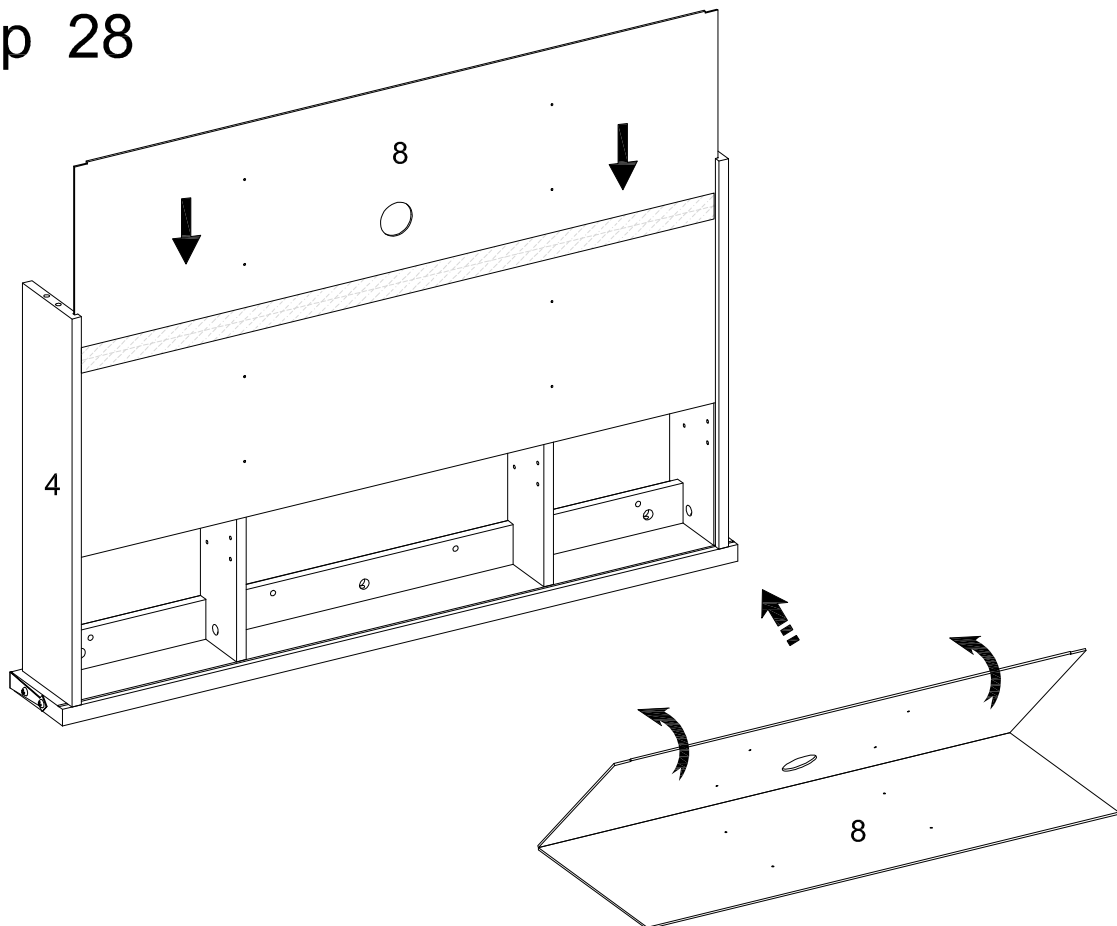
# Step 26



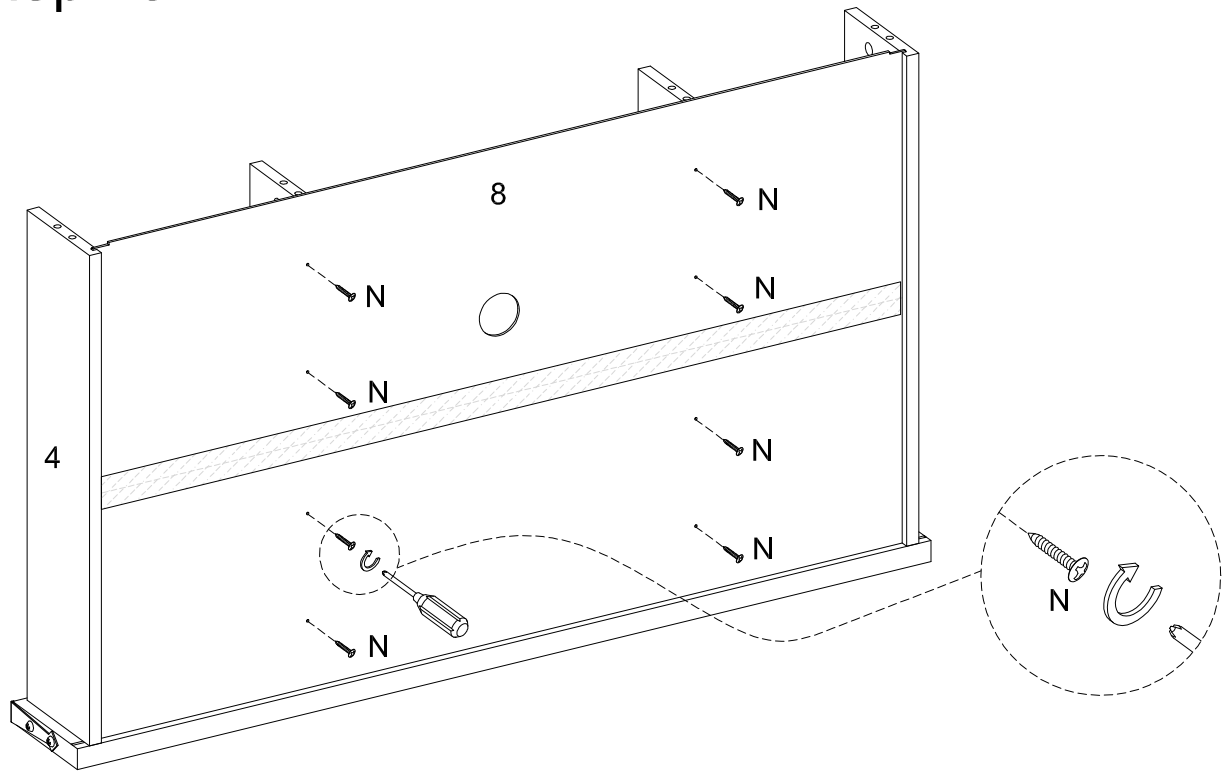
# Step 27



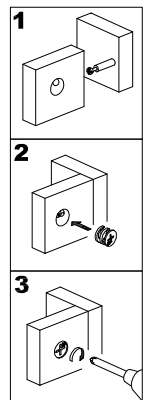
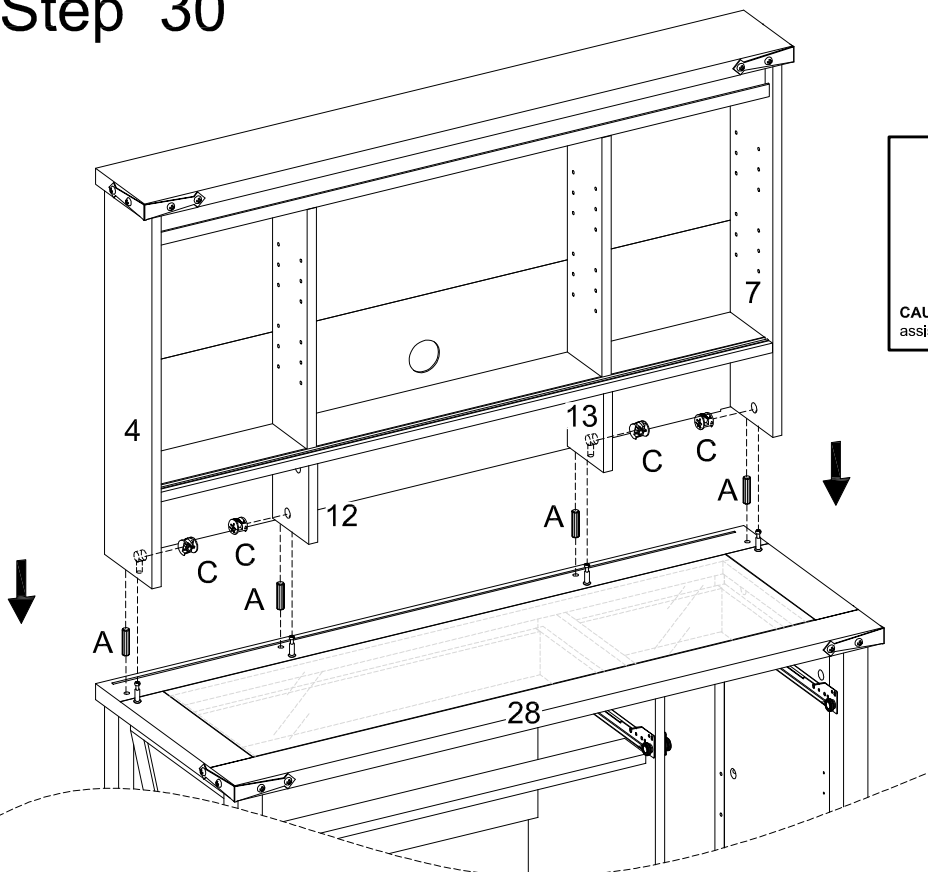
# Step 28



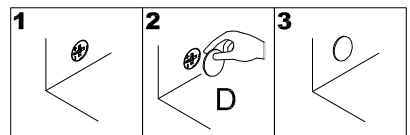
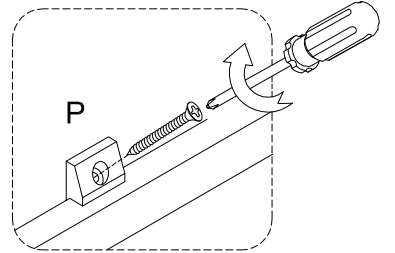
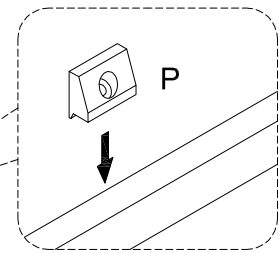
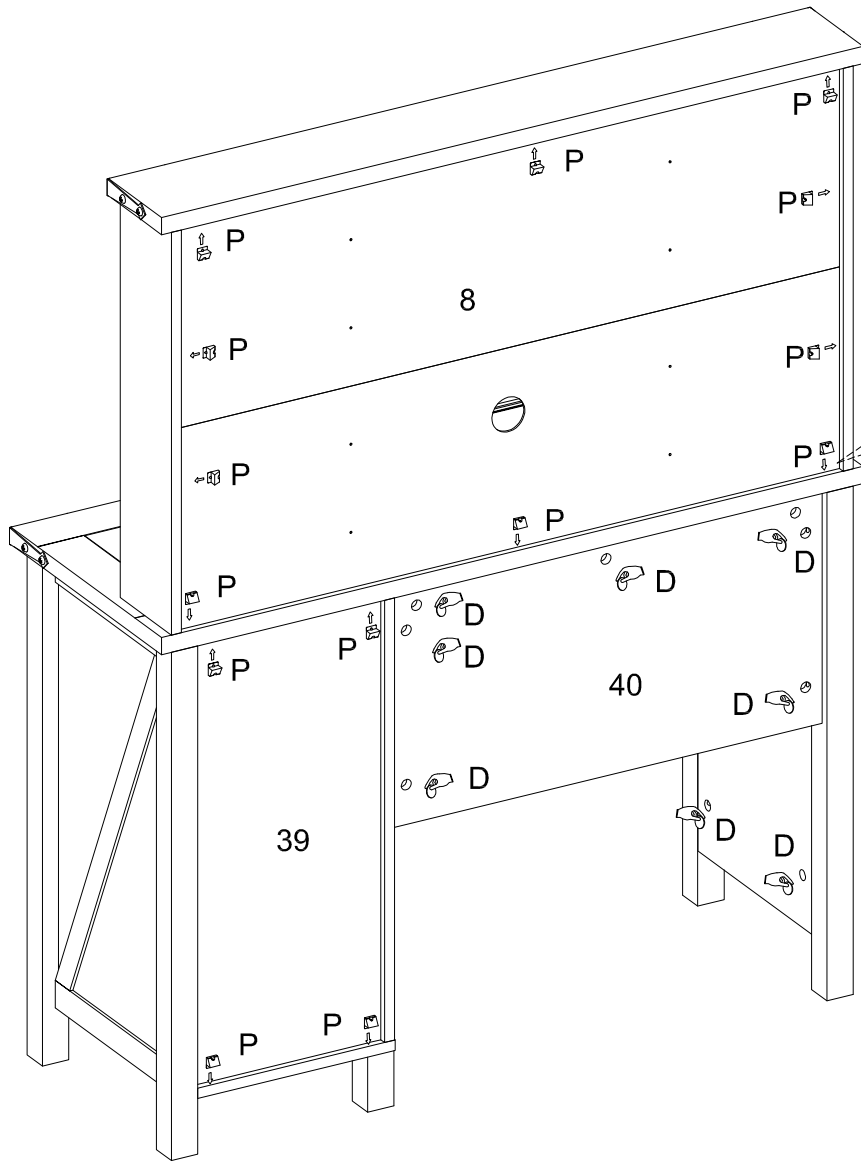
# Step 29



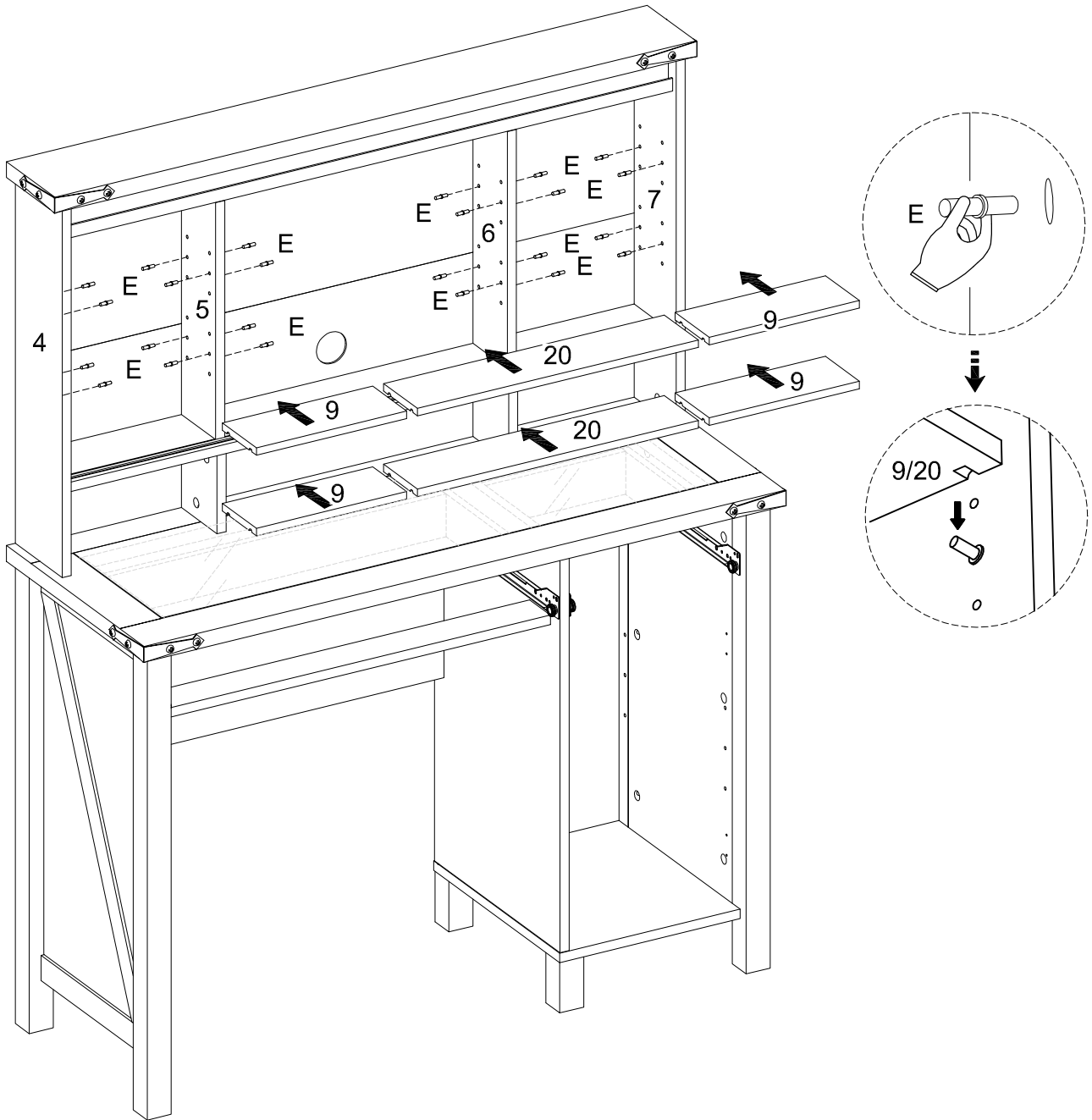
# Step 30



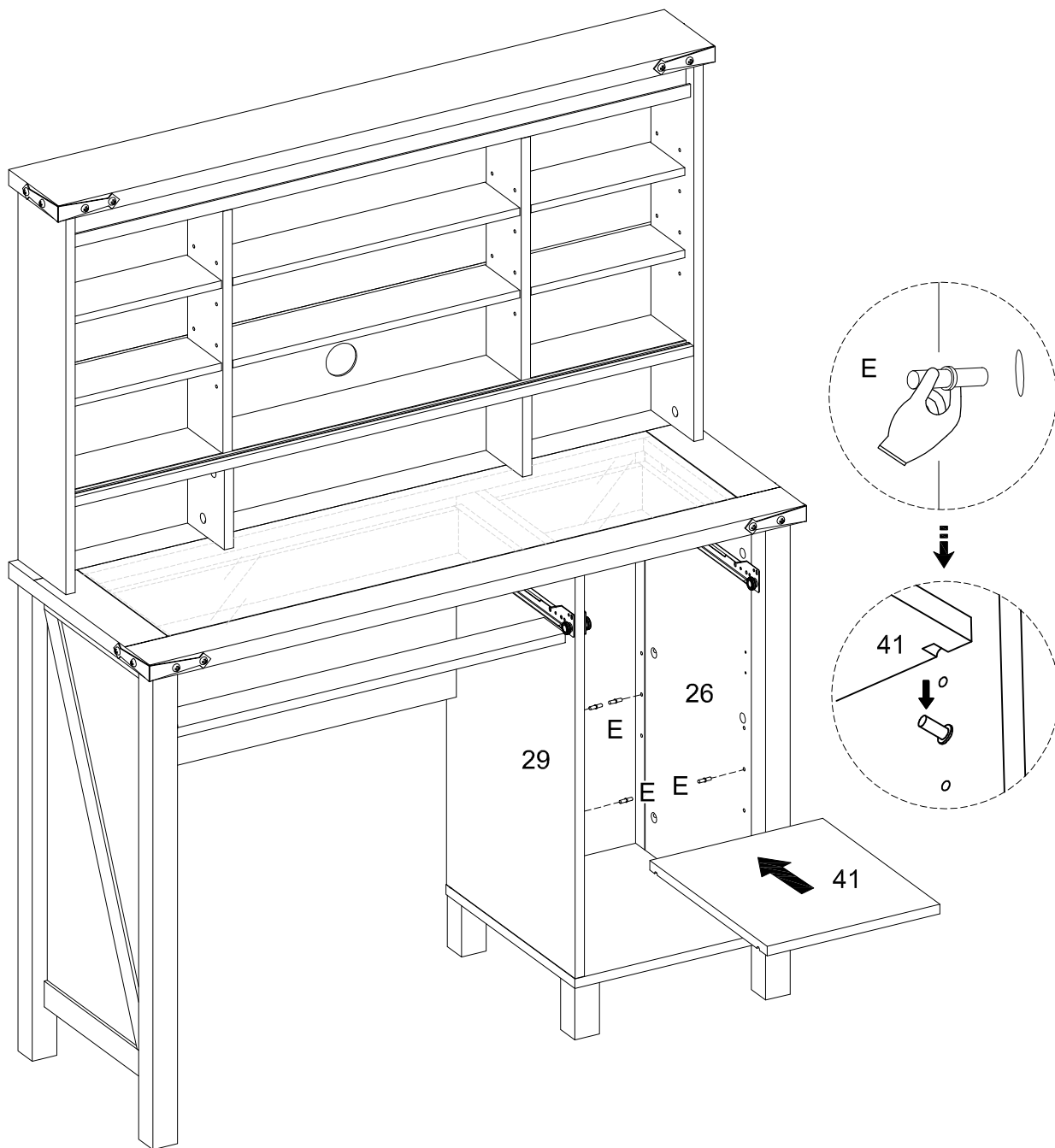
# Step 31



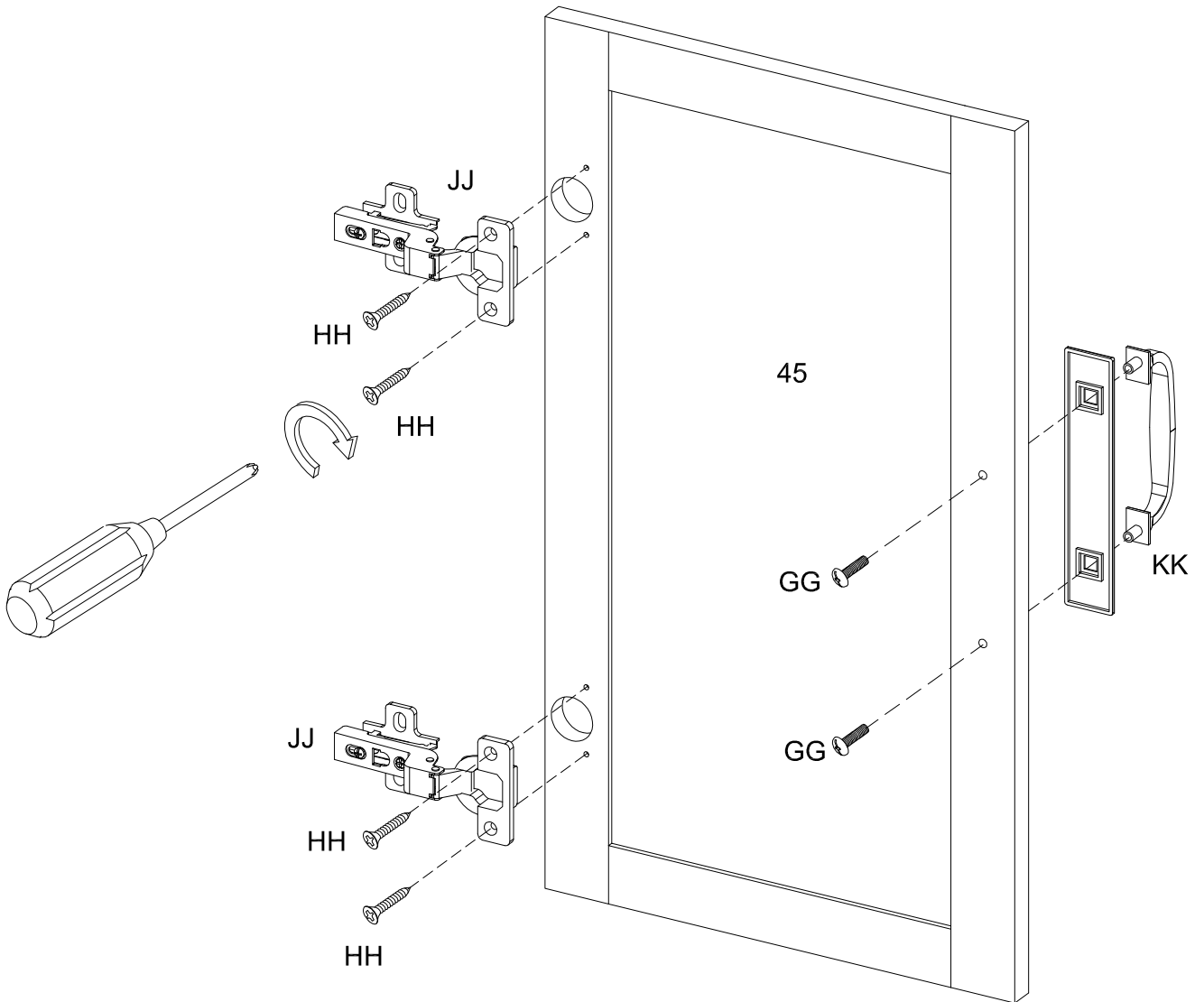
# Step 32



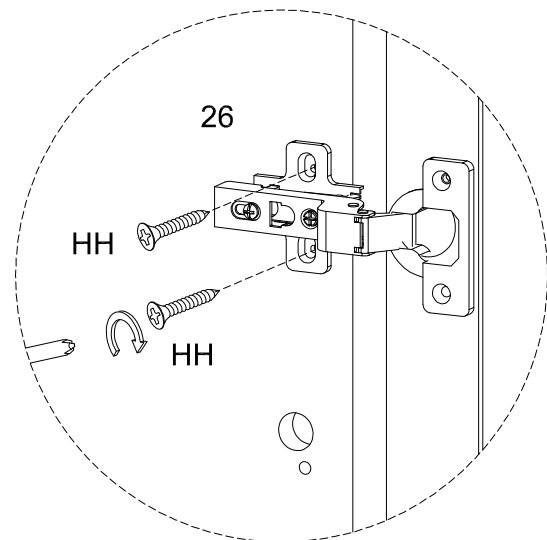
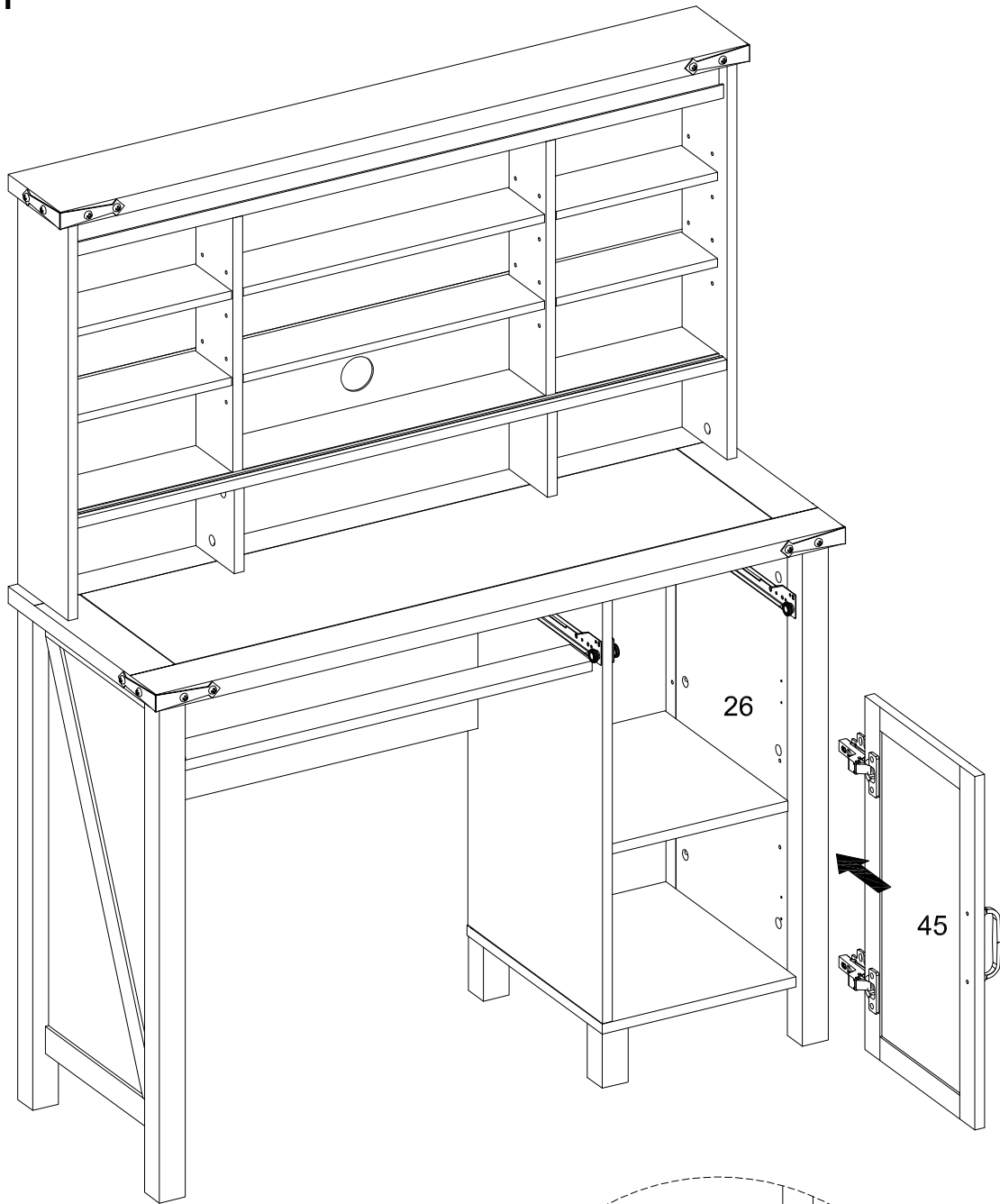
# Step 33



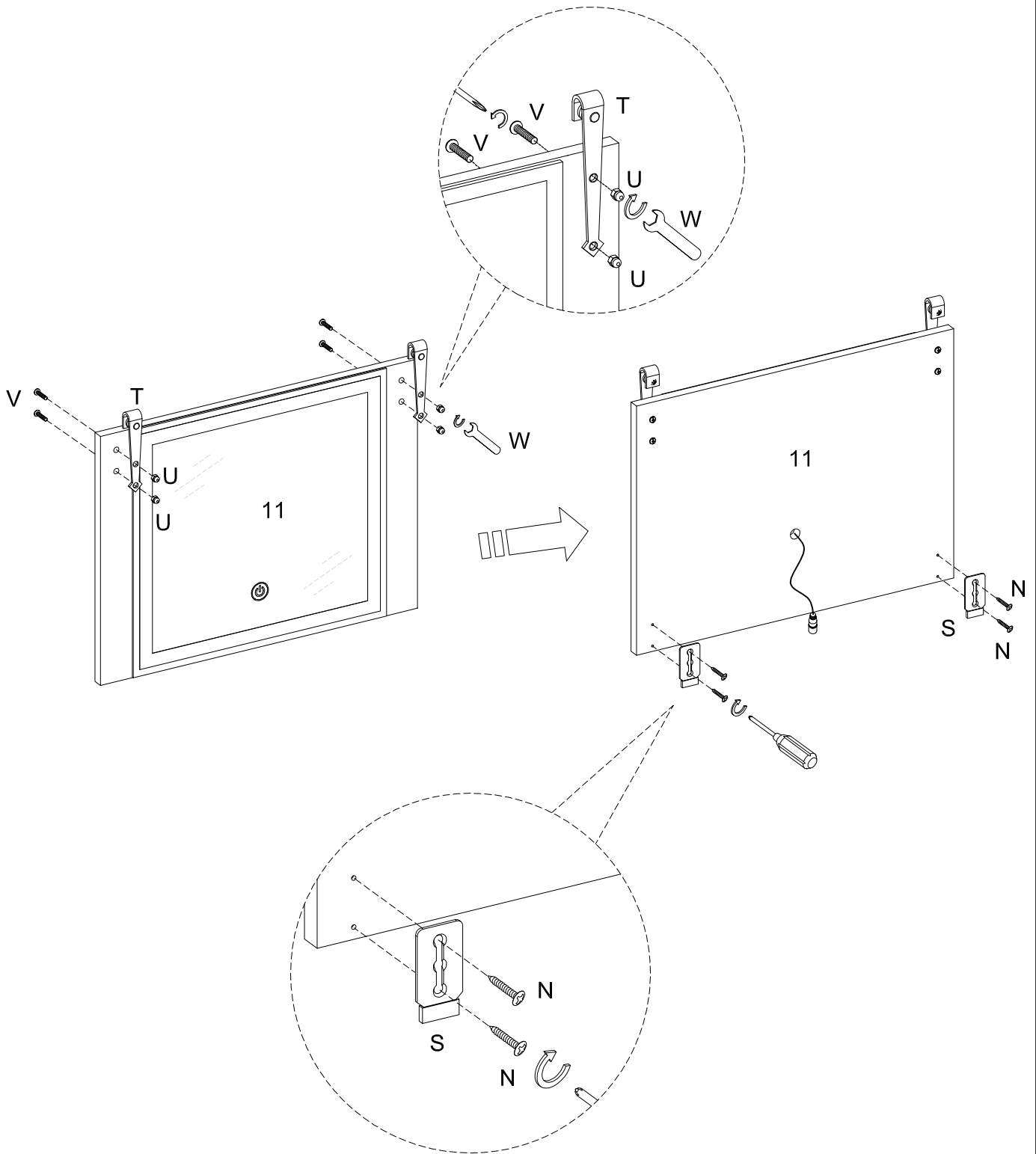
# Step 34



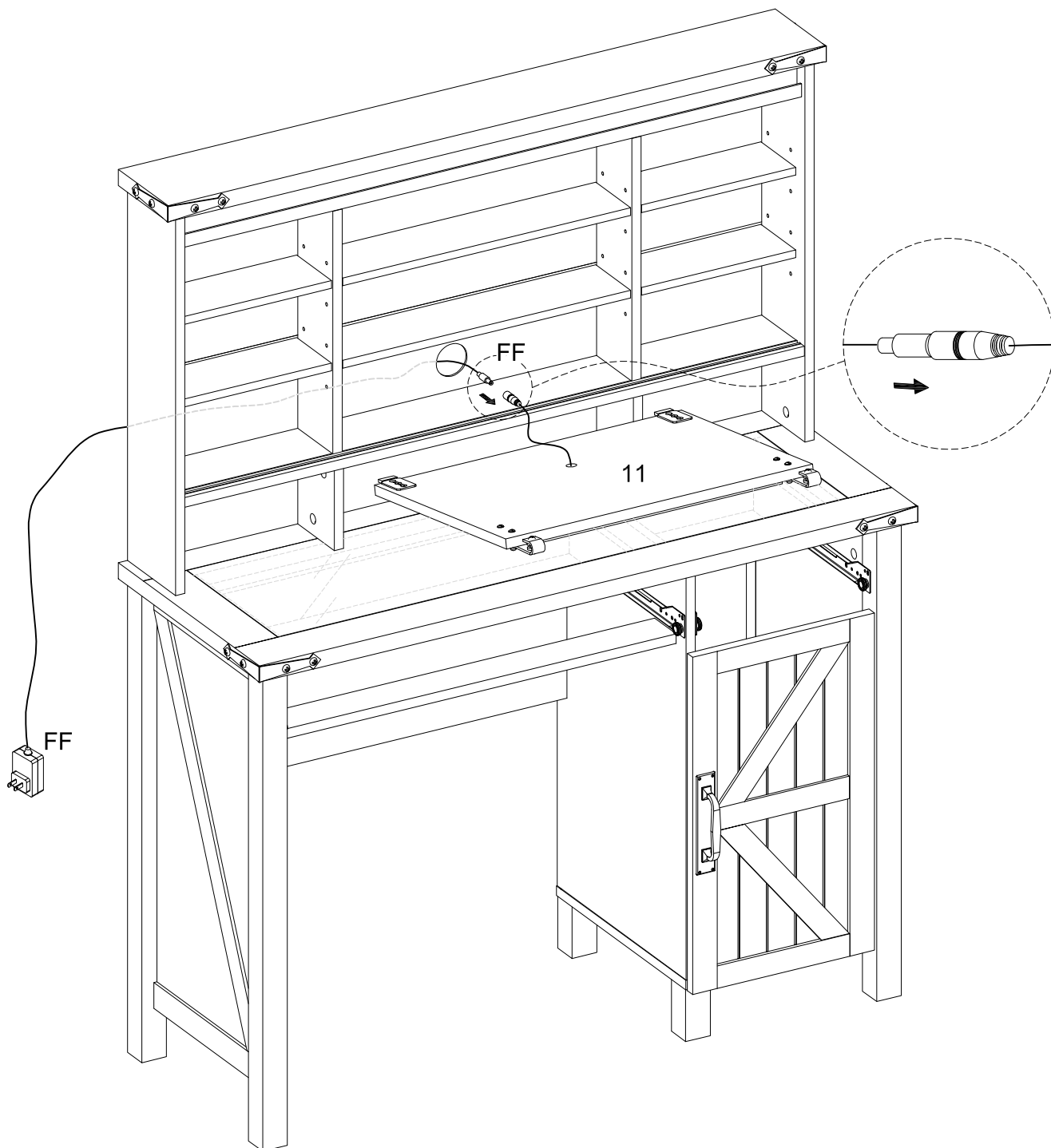
# Step 35



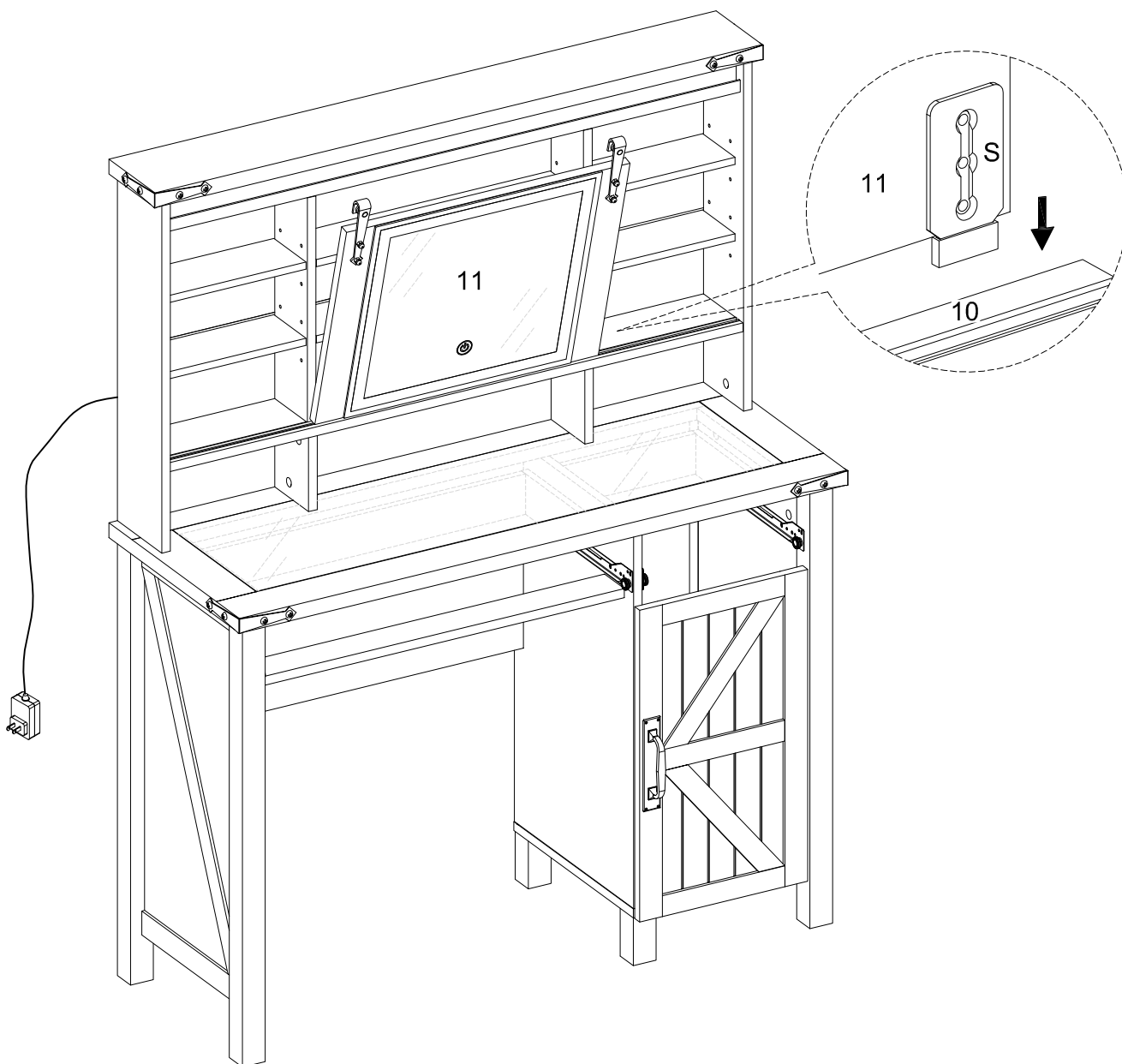
# Step 36



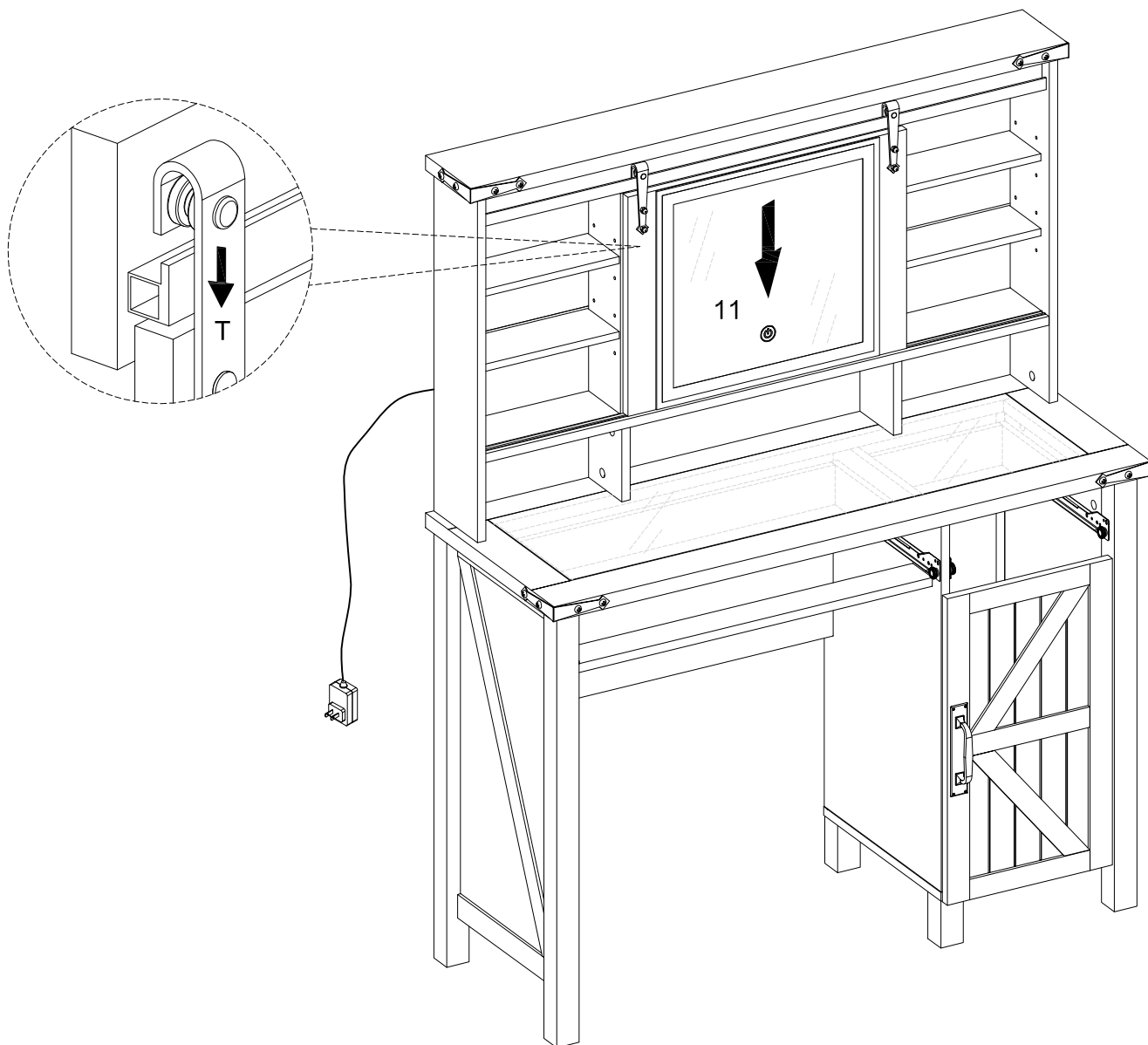
# Step 37



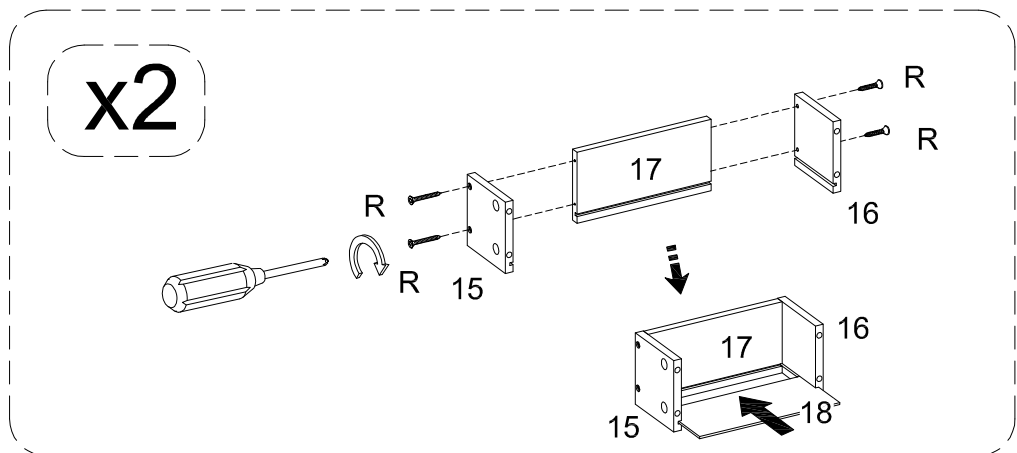
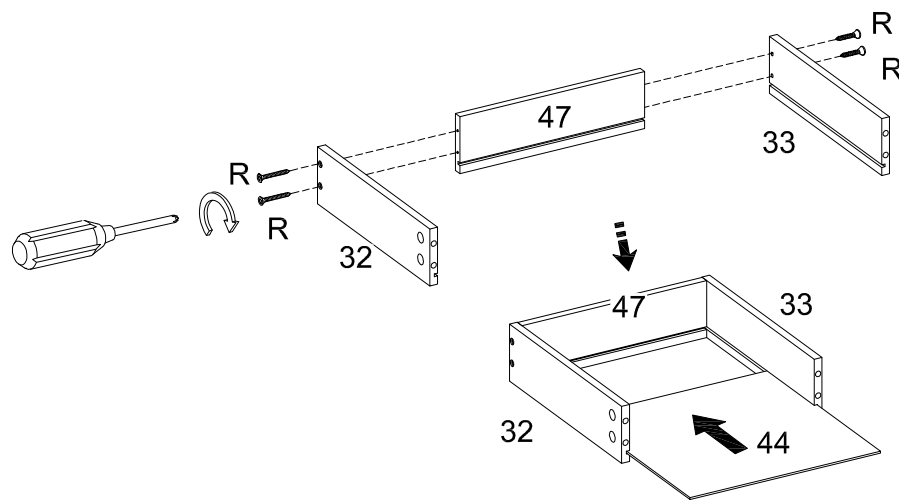
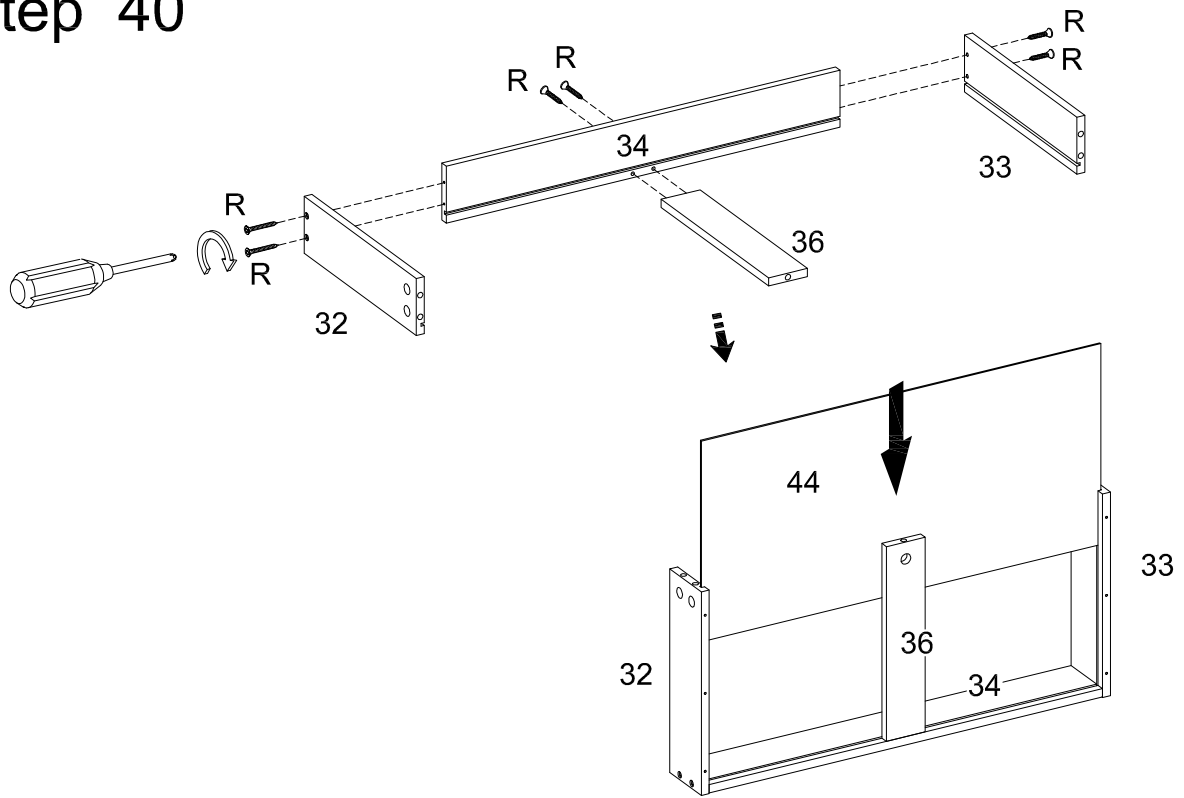
# Step 38



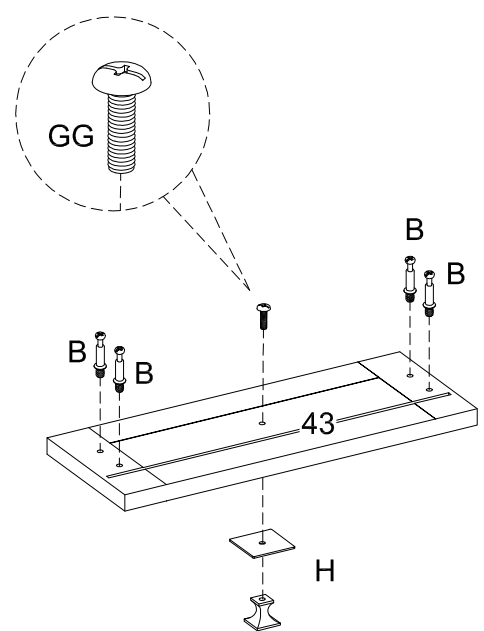
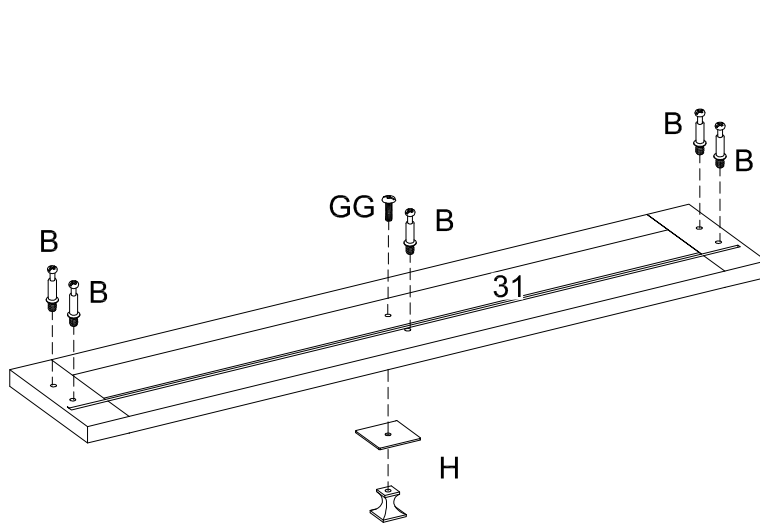
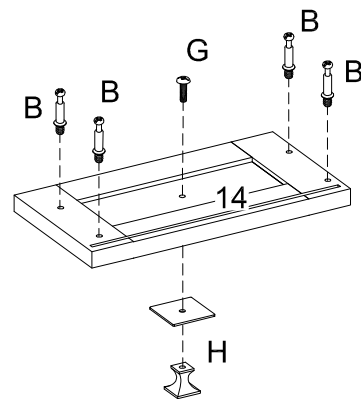
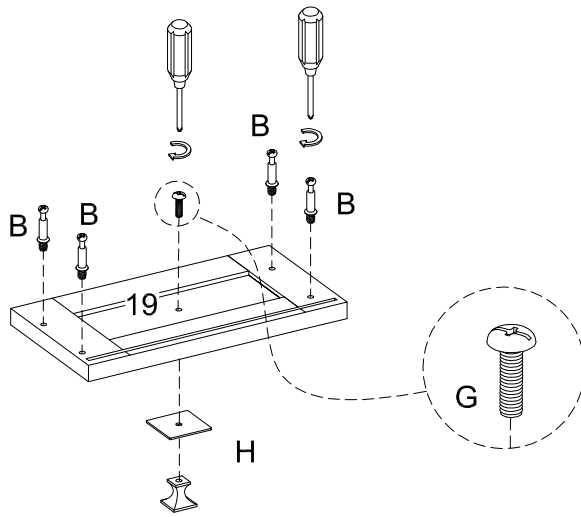
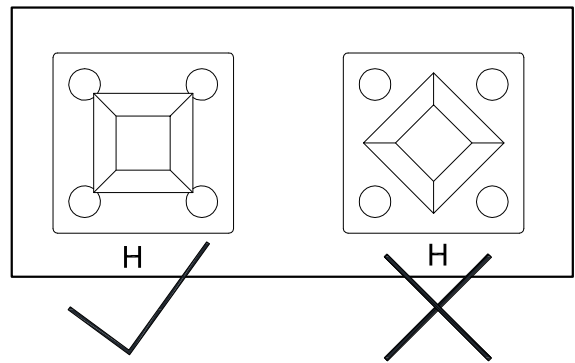
# Step 39



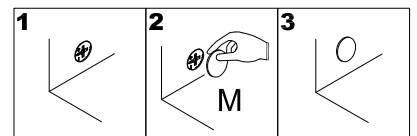
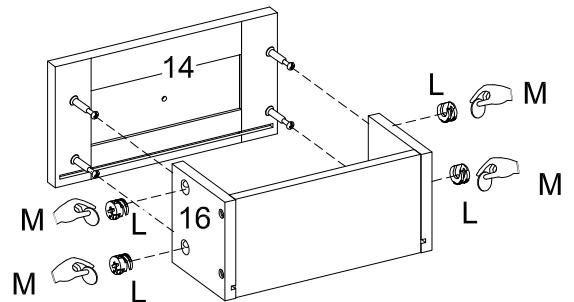
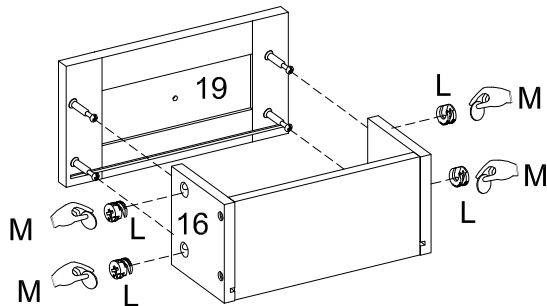
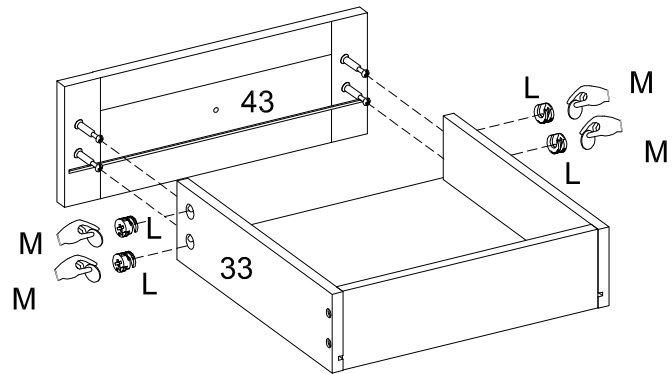
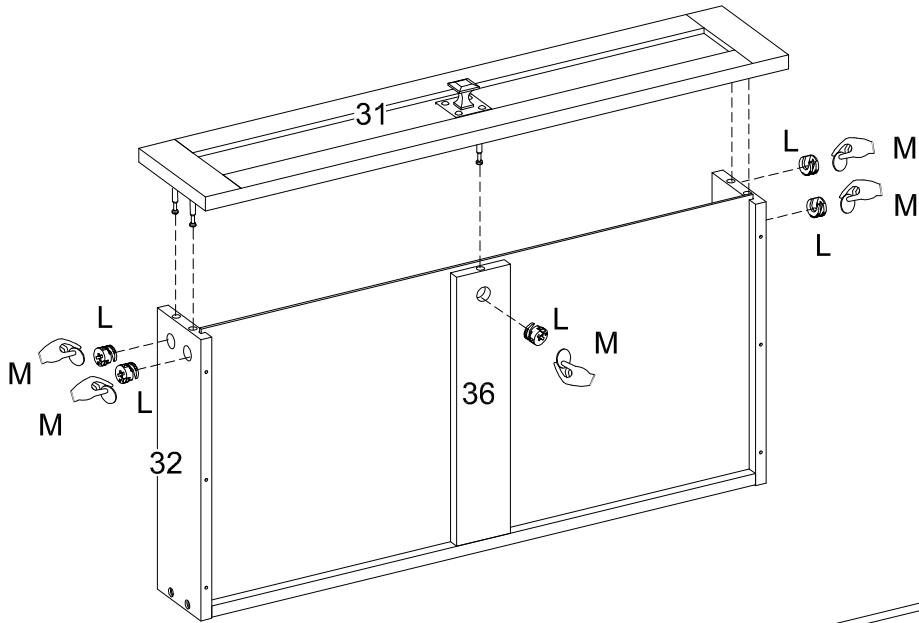
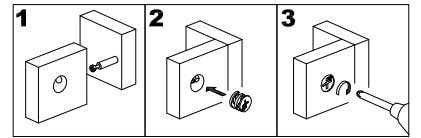
# Step 40



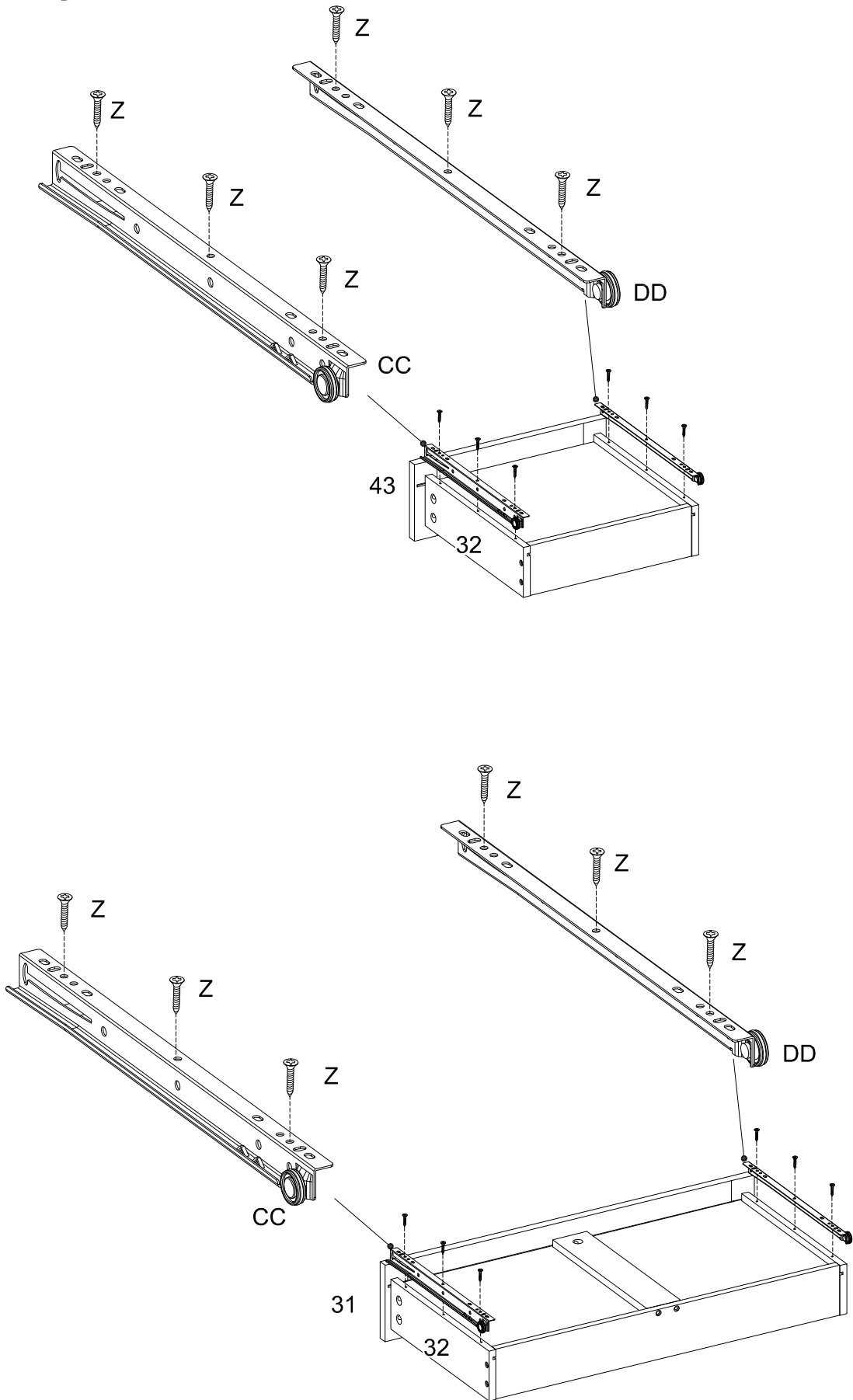
# Step 41



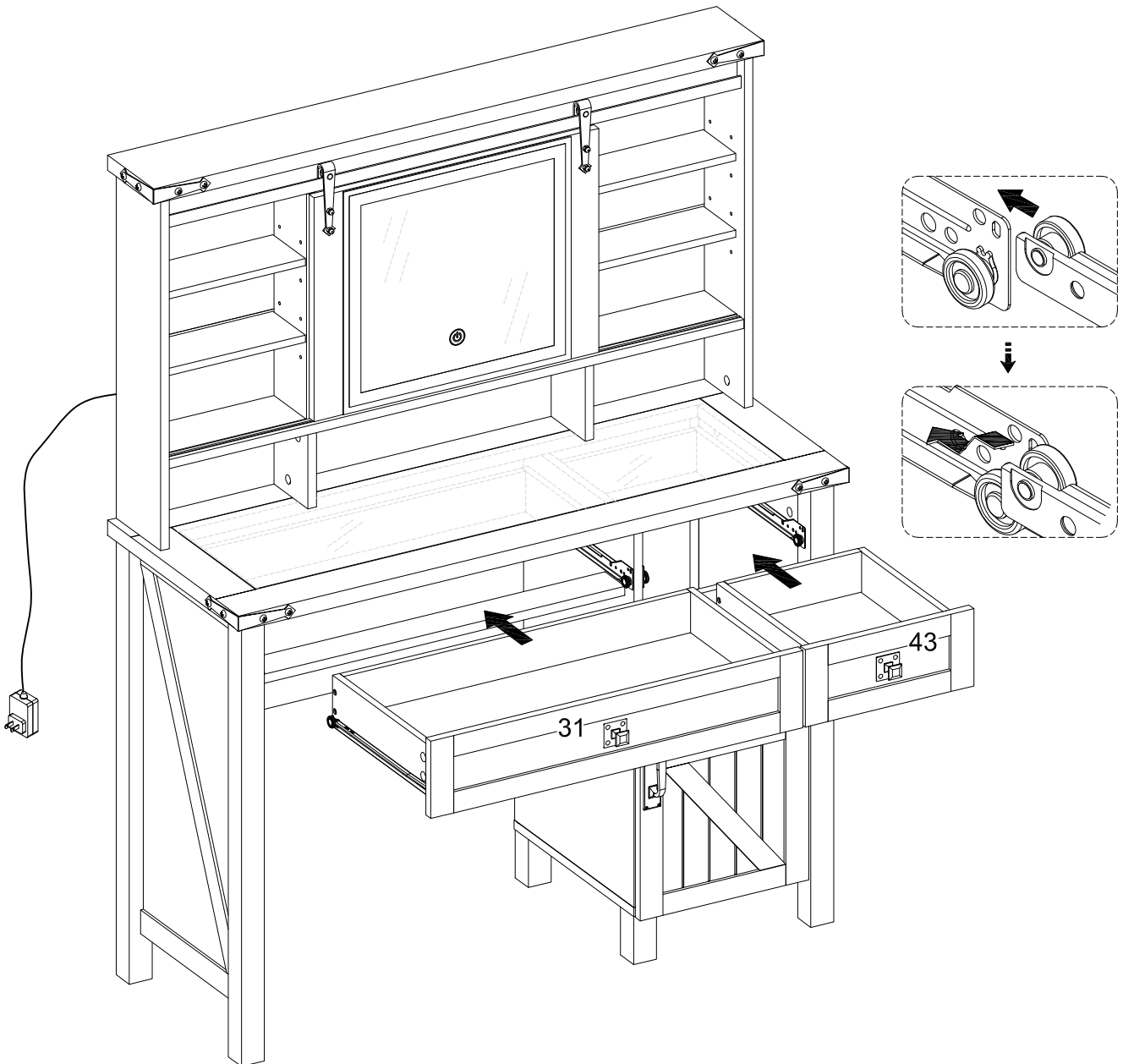
# Step 42



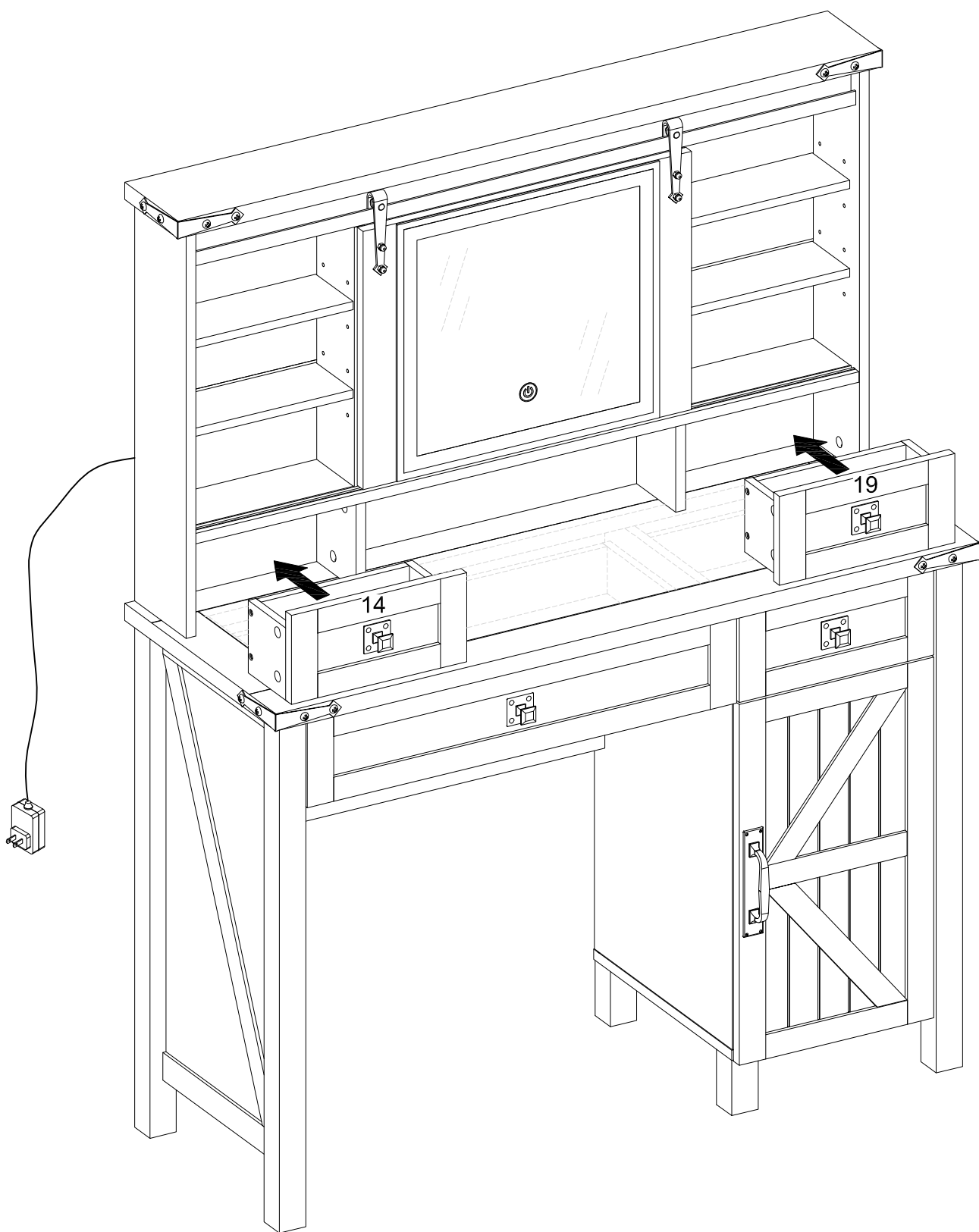
# Step 43



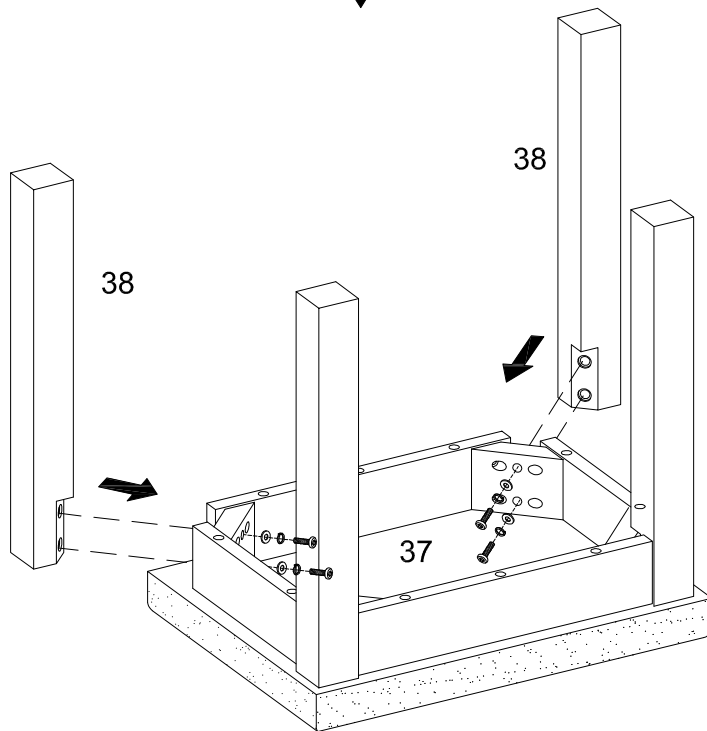
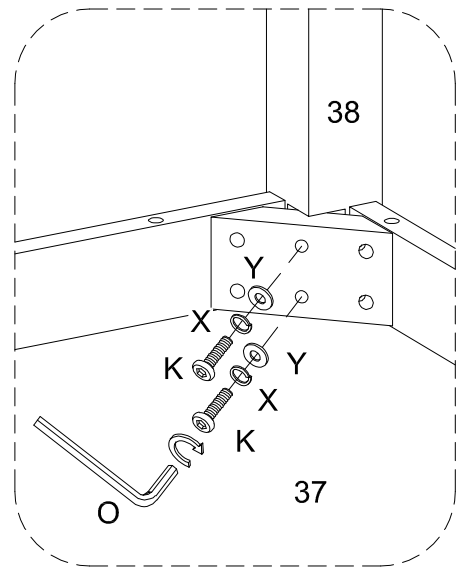
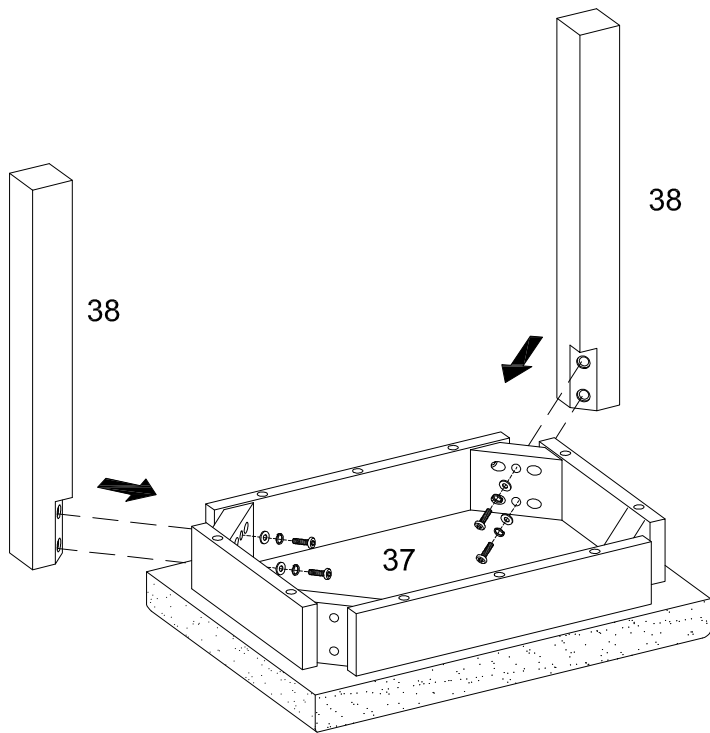
# Step 44



# Step 45

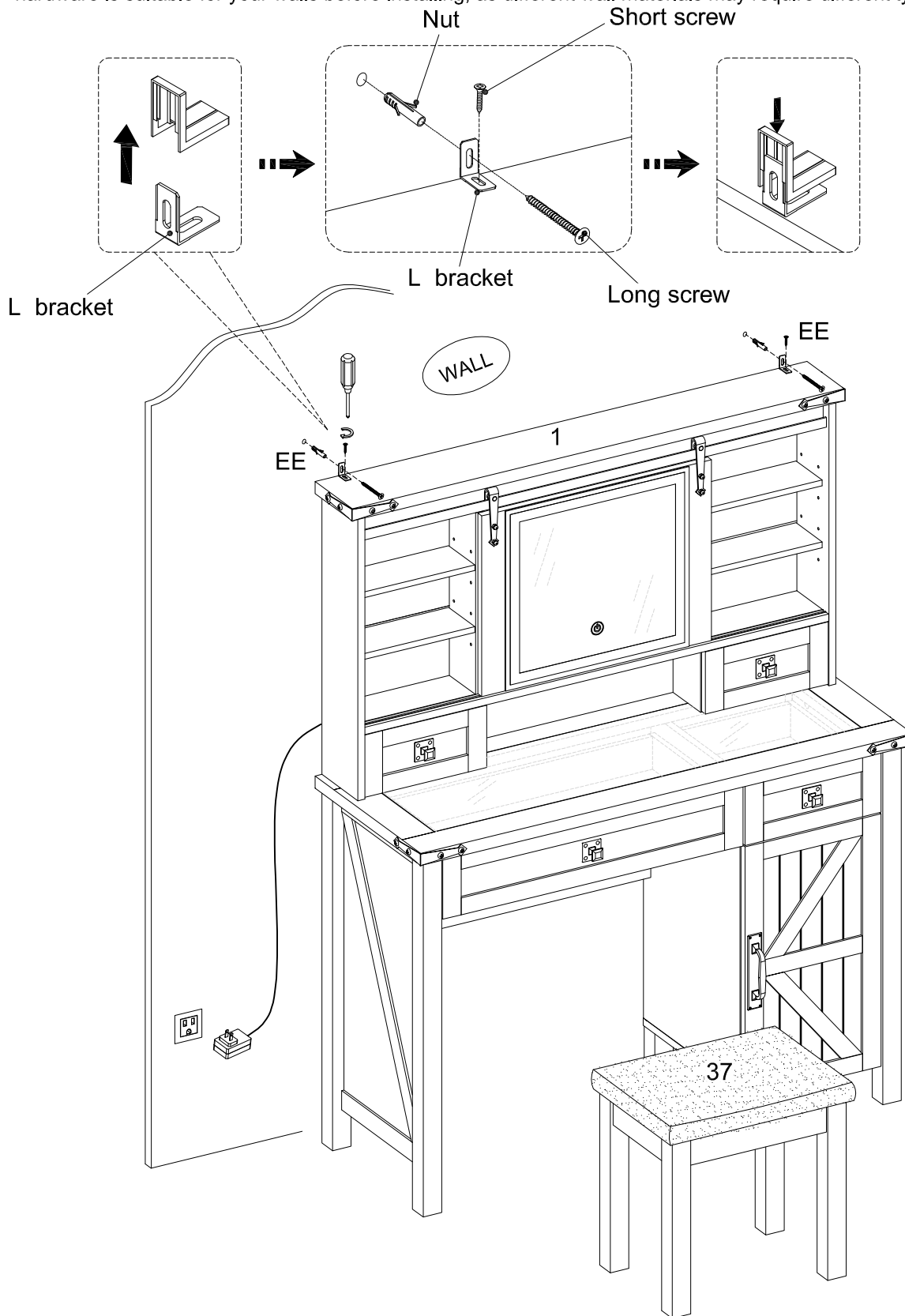


# Step 46



# Step 47

Serious or fatal injuries can occur from furniture tipping over. To prevent the furniture from tipping over we recommend that it is permanently fixed to the wall. Wall anchor and hardware are included with this product. Please make sure hardware is suitable for your walls before installing, as different wall materials may require different types of anchors.



Final Assembly