



Instruction Manual x1



3-Step Ladder x1



Weight Bag x1 (Blue)



Patch Pieces x3 (Blue)



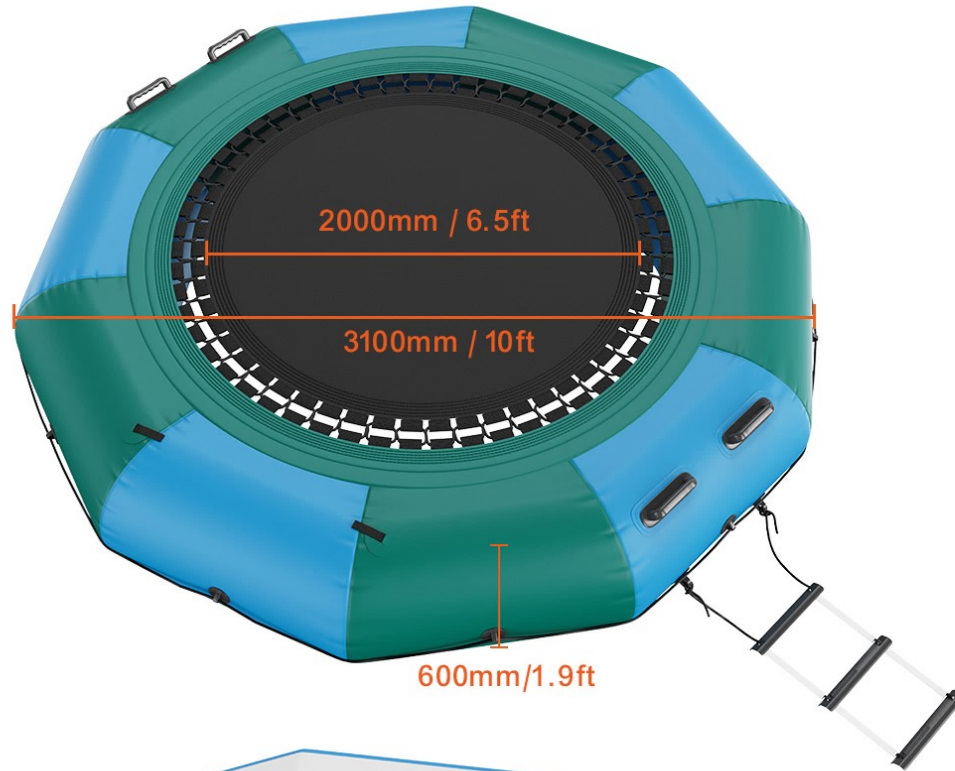
Nozzles x5



1.5m Weight Rope x1



Reversible Air Pump x1



Item Model Number: **ZT10FTBGHD-US/EU**

Product Weight: **20.25 kg/45lbs**

Product Dimensions: **3100x600mm/10x1.9ft**