

INSTRUCTION MANUAL

Rival “Detroit” Basketball Stand



HARDWARE

E



ALLEN WRENCH
(PROVIDED)



DOUBLE BOX
END WRENCH
(PROVIDED)



2 PERSON
ASSEMBLY



APPROXIMATELY
20 MIN.
ASSEMBLY

HARDWARE

1100770 8+

A



8PCS

B1



2PCS

B2



1 PCS

C



2PCS

D



2PCS

PARTS LIST

1A

Axle



2 PCS

1B

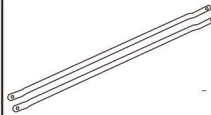
Axle



1 PCS

2

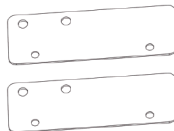
Lower Left and Right Brace



2 PCS

3

Top Pole Brace



2 PCS

4

Top Pole



1 PC

5

Middle Pole



1 PC

6

Lower Pole



1 PC

7

Goal Ring



1 PC

8

Backboard



1 PC

9

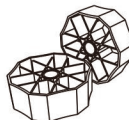
Net



1 PC

10

Wheel



2 PCS

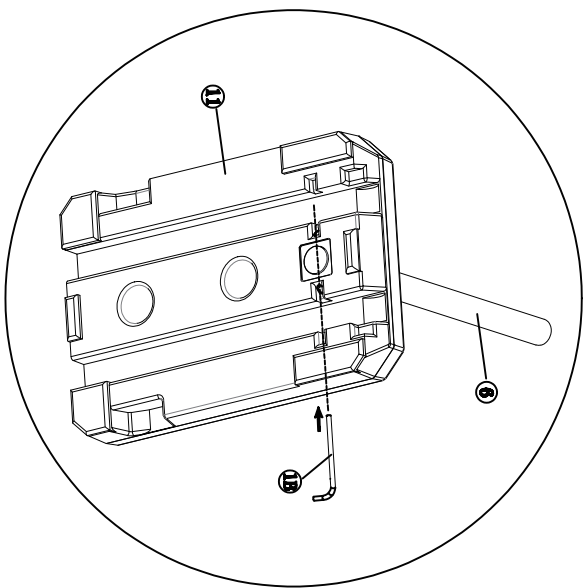
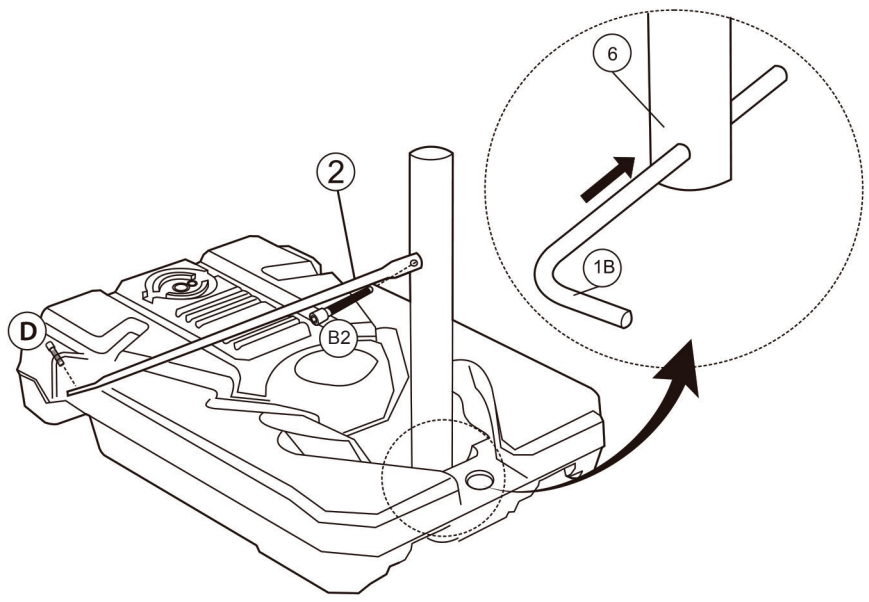
11

Base

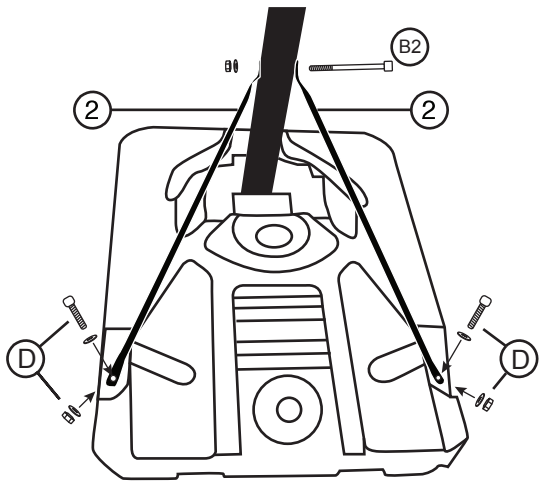
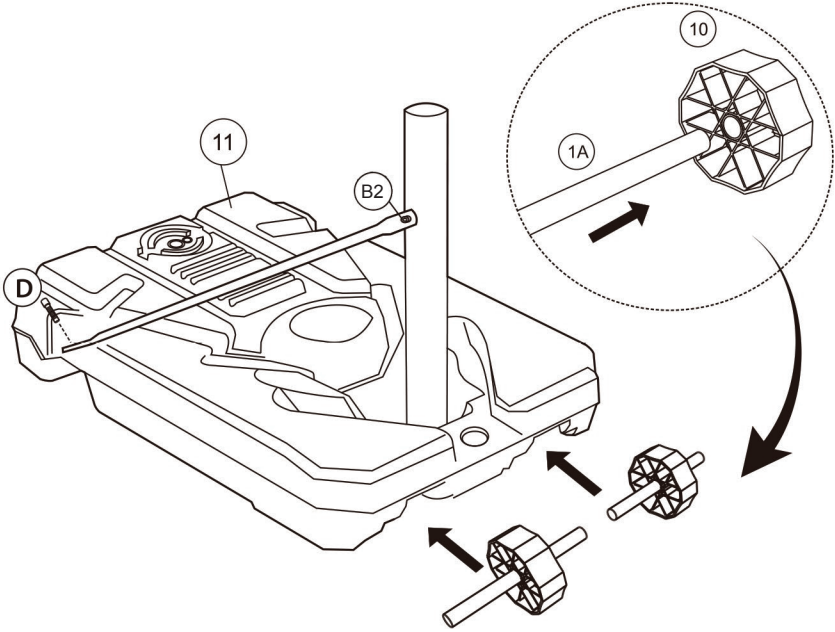


1 PC

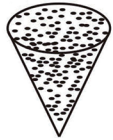
STEP 1



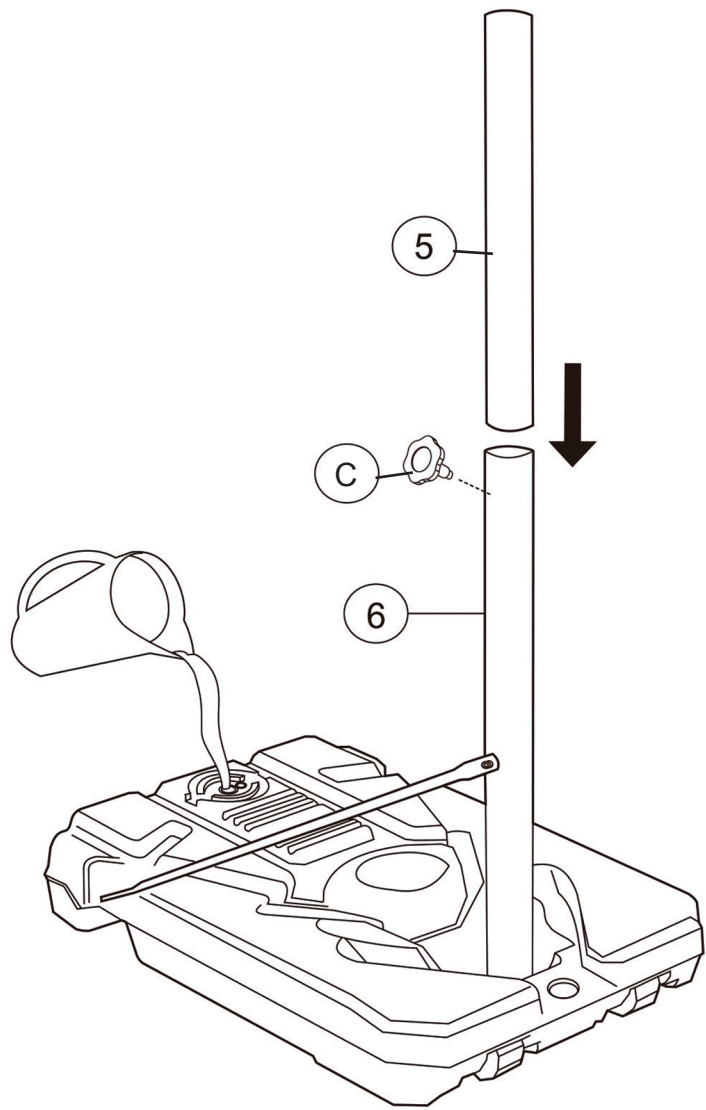
STEP 2



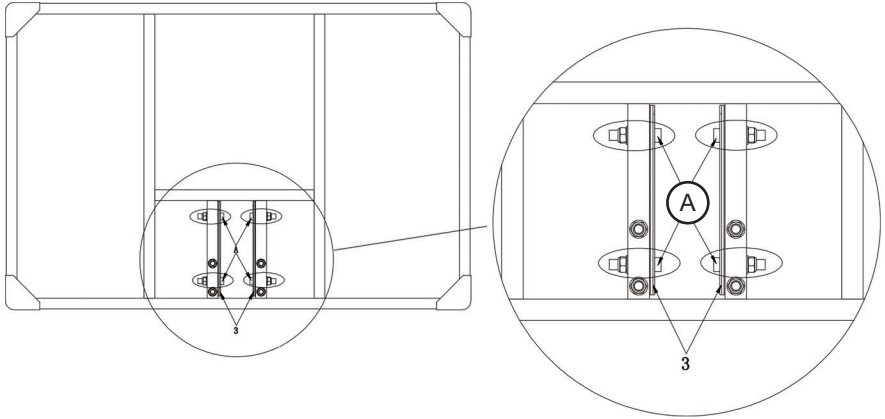
STEP 3



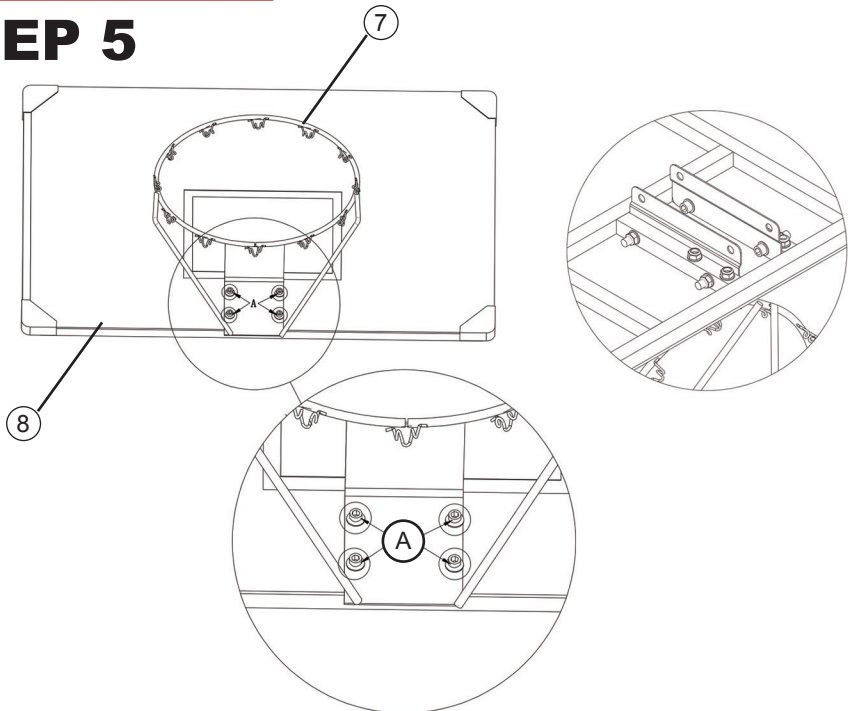
water or sand



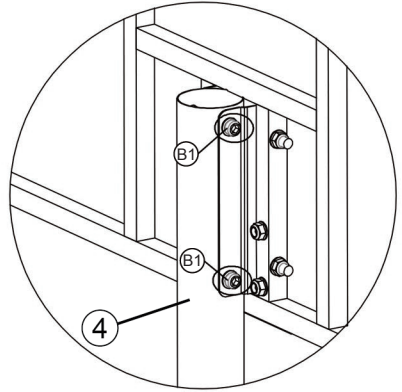
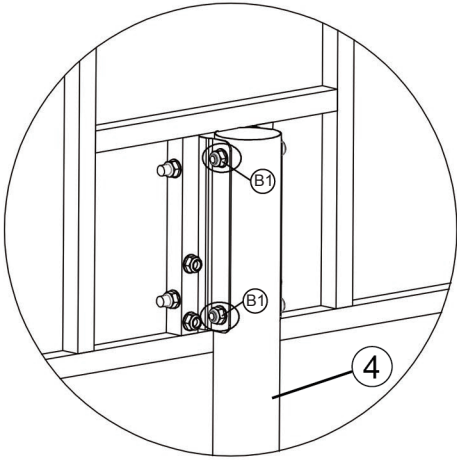
STEP 4



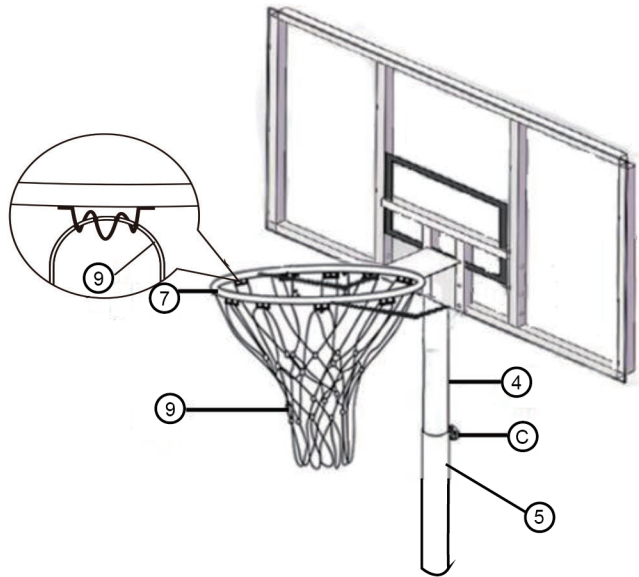
STEP 5



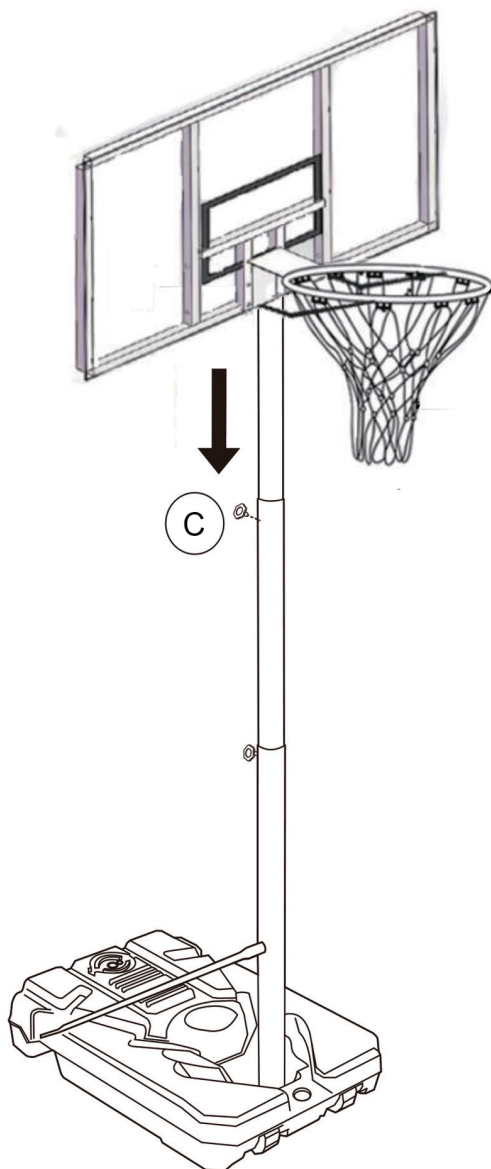
STEP 6



STEP 7



STEP 8



NOTICE

- Please read all instructions before attempting to install or assemble this item. Assembly should be done by adults only.
- Firmly secure all screws before use.
- Reconfirm that all bolts, screws, and knobs are secure every 90 days.
- Product is intended for outdoor use.
- If any parts are missing, broken, damaged, or worn, stop using this item until repairs are made and/or factory replacement parts are installed.
- Do not use this item in a way inconsistent with the manufacturer's instructions as this could void the product warranty.

CAUTION DURING USE

- Do not hang from the rim or climb on the pole. Do not climb on the base or structure in general, as this could result in serious injuries.
- Adjustment and moving of the basketball set must be carried out by adults.
- Always check the unit to ensure the base is full of water or sand, and that all fittings and hardware are tight before each use.
- Always place the base of the set on a flat surface.
- Do not allow water to freeze in the base.
- The set requires two people for assembly.
- Check the base regularly for any leakage before playing.

To transport unit, tip forward
and roll as shown below.

