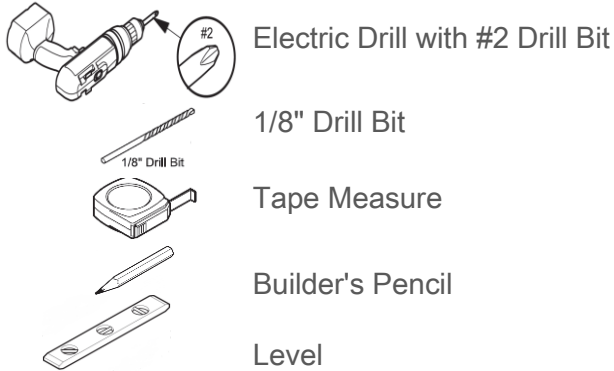


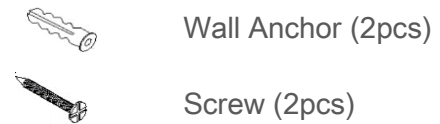
MIRROR INSTALLATION GUIDE



Tools for Assembly (Not Included)

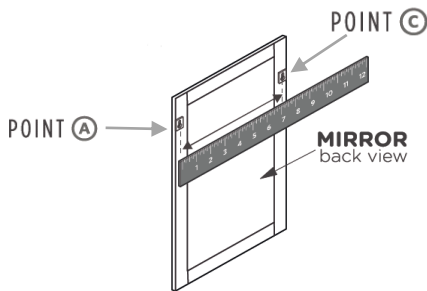


Supplies (Included in Package)



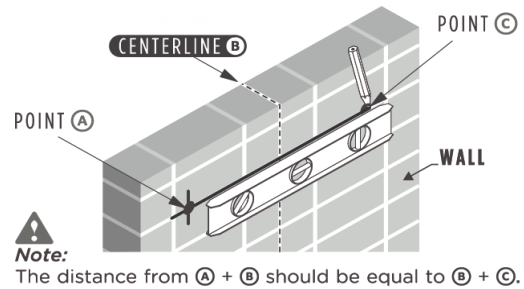
1

Flip the mirror over and measure the distance between point **A** and point **C**.



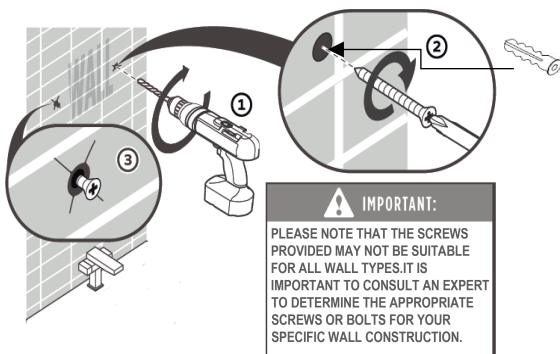
2

Use a level to mark the measured distance between Point **A** and Point **C** on the wall.



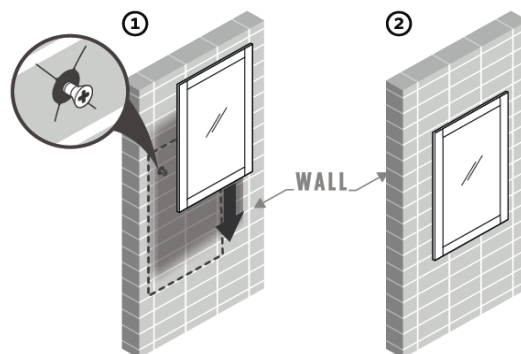
3

Drill 2 holes at the marked positions and insert wall anchors and screws.



4

Hang the mirror on the wall.



Thank you for choosing Water Creation. Your safety is our top priority, and we hope these instructions help you use our products safely and effectively.



MODEL: F2-0014

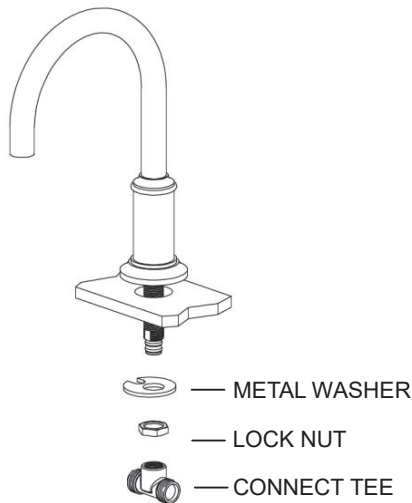
LAVATORY FAUCET INSTALLATION GUIDE

BEFORE YOU BEGIN

- 1) Shut off water supply.
- 2) Carefully inspect waste and supply tubing for signs of damage.
- 3) Replace waste or supply tubing if necessary

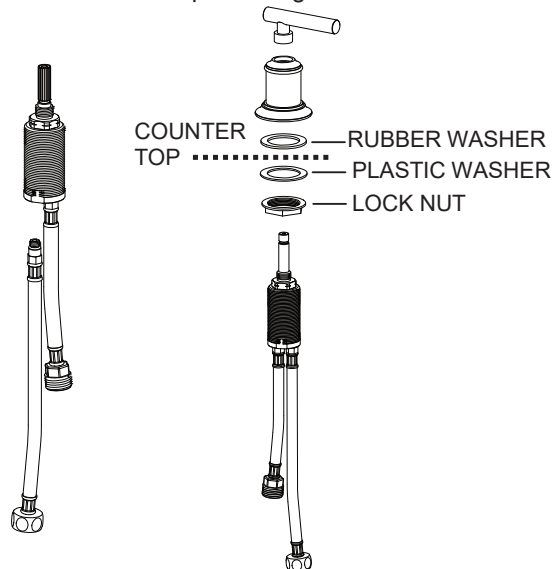
A) SPOUT INSTALLATION

- 1) Remove lock nut and connect tee.
- 2) Locate mounting hole and insert spout into deck or lavatory.
- 3) Screw and tighten washer, lock nut onto the shank and secure the spout
- 4) Screw and tighten the connect tee to the shank.

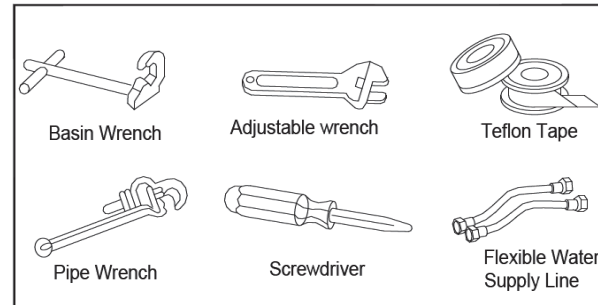


B) HANDLE VALVE INSTALLATION

- 1) Assemble the longer flexible hose with valve body.
- 2) Place lower plastic washer and lock nut over valve body.
- 3) Insert valve body from under the sink.
- 4) Place upper rubber washers and escutcheon on valve spindle.
- 5) Adjust position of valve body. Secure valve body with lock nut and escutcheon.
- 6) Place handle onto spindle. Tighten handle with screw.



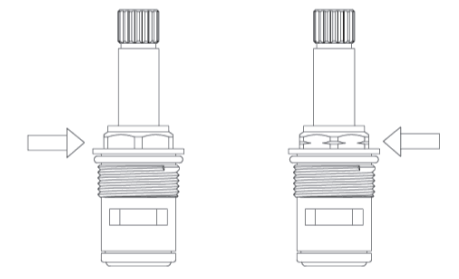
TOOLS AND MATERIALS



VIDEO
INSTRUCTION

** CARTRIDGE IDENTIFY **

If need cartridge replacement, please remove escutcheon and identify the cartridge hex base as below. Offer the information to our service team.



W/O MARK

Hot side
Open: counterclockwise

WITH MARK

Cold side
Open: clockwise

C) VALVE HOSE INSTALLATION

- 1) Connect the longer flexible hoses to supply tee.
- 2) Secure hoses with wrench. Do not over tighten.
- 3) Circle the excessive part of hoses as shown in figure below.

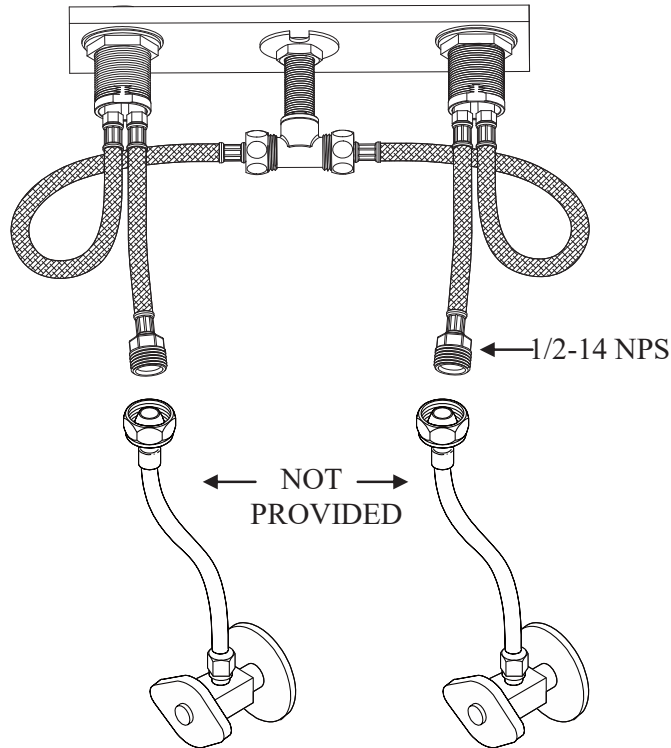
D) SUPPLY CONNECTION

**** Connect Hoses not provided ****

- 1) Identify stop valve thread specific, choose matching hoses from store.
- 2) Connect hoses to angle stops. Tighten all connections.

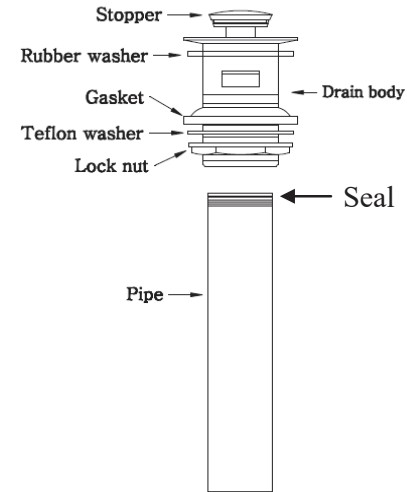
***** VERY IMPORTANT *****

Flush out water for two minutes before connect hose to faucet valve.
(This act to avoid debris trapped the flow regulator)



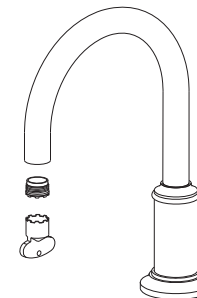
E) DRAIN WASTE INSTALLATION

- 1) Disassemble the drain. Only rubber washer to stay with drain body.
- 2) Unscrew the tail piece pipe to seal thread, assemble back to drain body.
- 3) Insert drain body through sink.
- 4) Attach the gasket, Teflon washer and tighten the lock nut.



F) INSTALLATION CHECKOUT

- 1) Ensure all connections are tightened properly.
- 2) Turn on main water supply.
- 3) Turn on and off cold and hot water respectively.
- 4) Turn on both hot and cold water and turn off. Check for leaks.
- 5) Remove the aerator with attached key. Check for debris. Clean if necessary.
- 6) Reinstall aerator.



COMPLETE INSTALLATION