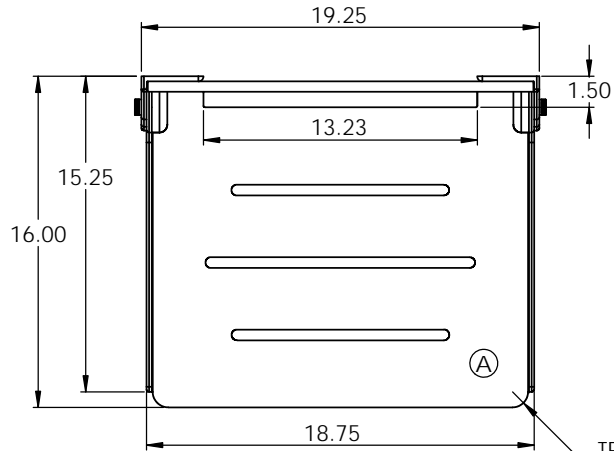
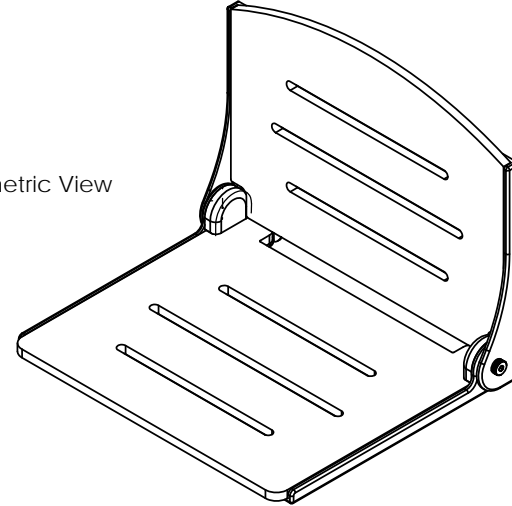


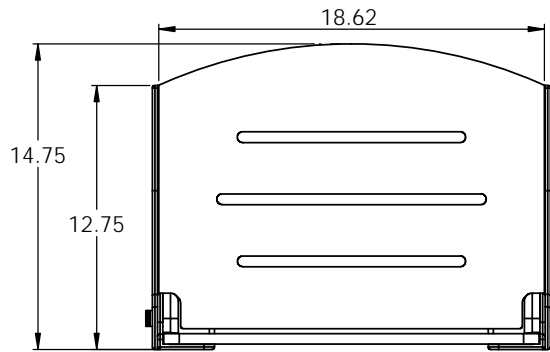
LIFESTYLE & WELLNESS

Isometric View

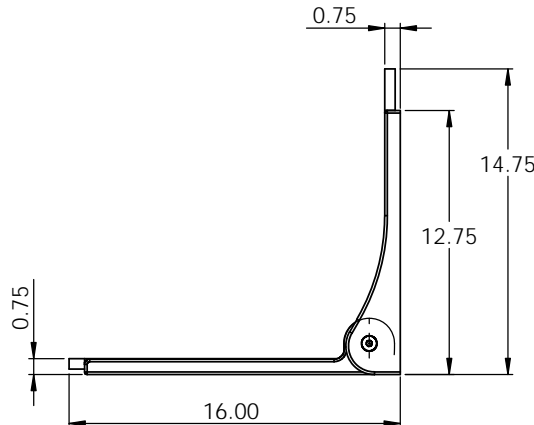


Top View

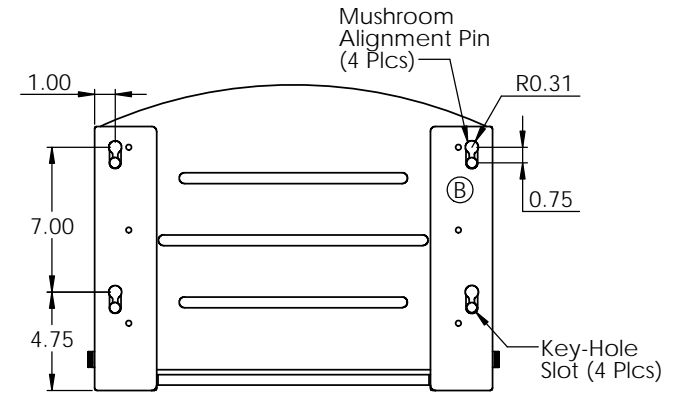
TRUE R0.75



Front View



Side View



Rear View

Mushroom Alignment Pin (4 Plcs)

Key-Hole Slot (4 Plcs)

REVISIONS

REV.	DESCRIPTION	DATE
A	Added 1-1/2" wall clearance, seat top lengthened, drain slot pattern changed, and radius added to front corners.	9/30/2016
B	Removable backrest added.	5/3/2017

**PROPRIETARY AND CONFIDENTIAL**  
 THE INFORMATION CONTAINED IN THIS DRAWING IS THE SOLE PROPERTY OF SEACHROME CORPORATION. ANY REPRODUCTION IN PART OR AS A WHOLE WITHOUT THE WRITTEN PERMISSION OF SEACHROME CORPORATION IS PROHIBITED.

UNLESS OTHERWISE SPECIFIED:		NAME	DATE
DIMENSIONS ARE IN INCHES		AYALA	03-13-18
TOLERANCES:			
FRACTIONAL: ±			
ANGULAR: MACH ± BEND ±			
TWO PLACE DECIMAL ±			
THREE PLACE DECIMAL ±			
INTERPRET GEOMETRIC TOLERANCING PER:			
MATERIAL		COMMENTS:	
Teak Phenolic Seat			
FINISH			
Silver Powder Coat Frame			
NEXT ASSY	USED ON		
APPLICATION			

**Seachrome Corporation**

TITLE:  
 Silhouette Arched High Back Seat 18" One-Piece Teak Phenolic with Standard Slot Pattern Silver Powder Coat Frame

SIZE	DWG. NO.	REV
<b>B</b>	SHAF A-185155-PTS-S-SL	<b>B</b>
SCALE: 1:10		WEIGHT:
		SHEET 1 OF 1