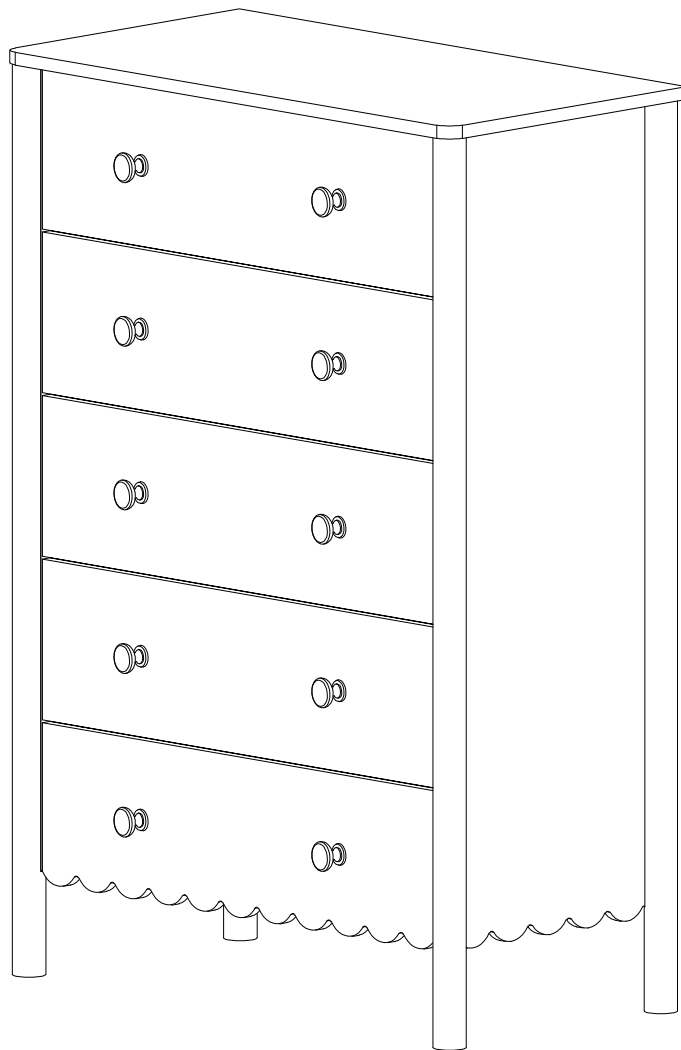


ASSEMBLY INSTRUCTIONS

EEI-7156

V0.16.04.24



Questions? Contact us!

609.256.9000 • cs@modway.com
www.modway.com

***modway**

Let's get started!

*modway



Read through all of the instructions before starting



Care instructions are listed in the last step of this manual



Approx. 60 minutes assembly time



Make sure you have all parts and components before discarding any packing materials



2 people recommended for assembly

Only use hand tools to assemble this item. Do not use power tools.

Do not tighten bolts or screws completely until all hardware is lined up and inserted into the holes.

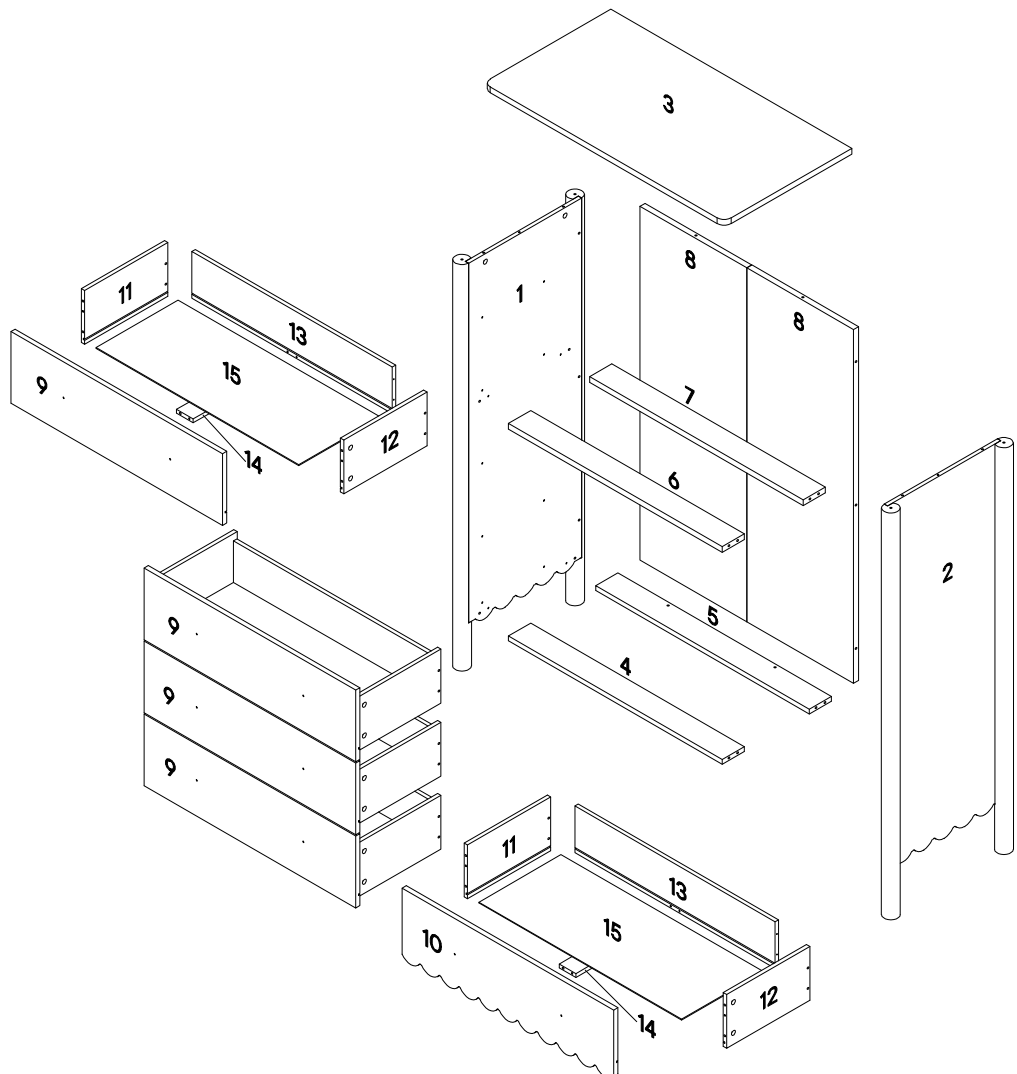
Do not over-tighten screws and bolts to avoid stripping the hardware or cracking the item.

Assemble your item on a flat, carpeted area, with plenty of space to work. This will prevent damage and scratches to your floors or the item while you're assembling the product.

Keep all components and packaging out of reach of children or animals to avoid risk of choking or suffocation.

Furniture components:

1	Side Panel Left	x1
2	Side Panel Right	x1
3	Top Panel	x1
4	Front Rail Panel Bottom	x1
5	Back Rail Panel Bottom	x1
6	Front Rail Panel Top	x1
7	Back Rail Panel Top	x1
8	Back Panel	x2
9	Drawer Front	x4
10	Drawer Front Bottom	x1
11	Drawer Side Left	x5
12	Drawer Side Right	x5
13	Drawer Back	x5
14	Drawer Support	x5
15	Drawer Bottom	x5





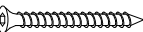
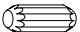
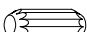










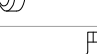

Wait!

Missing parts or hardware? Need assistance?

Contact us before returning your item. We're here to help!

609.256.9000 • cs@modway.com

Provided hardware:

A.		Screw M3.5 x 12 mm	x20
B.		Screw M6 x 9 mm	x20
C.		Screw M6 x 40 mm	x22
D.		Wood Dowel Ø6 x 20 mm	x22
E.		Wood Dowel Ø8 x 25 mm	x20
F.		Wood Dowel Ø8 x 50 mm	x4
G.		Cam Bolt 20 x 5 mm	x42
H.		Cam Lock 15/15	x8
J.		Cam Lock 15/12	x34
K.		Handle	x10
L1.		Drawer Slide CR (300mm)	x5
L2.		Drawer Slide CL (300mm)	x5
M1.		Drawer Slide DR (300mm)	x5
M2.		Drawer Slide DL (300mm)	x5
N.		Plastic Leg Stud	x4
P.		Allen Key	x1
		Tipping Restraint Kit	x2

What you need:



You may also need:

+ Power Drill
+ Level

Wait!

Missing parts or hardware? Need assistance?
Contact us before returning your item. We're here to help!
609.256.9000 • cs@modway.com

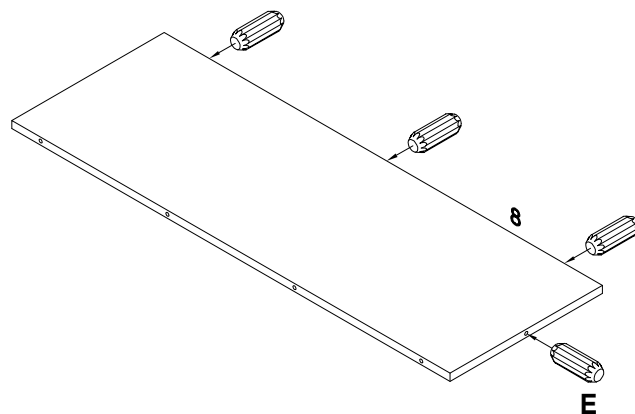
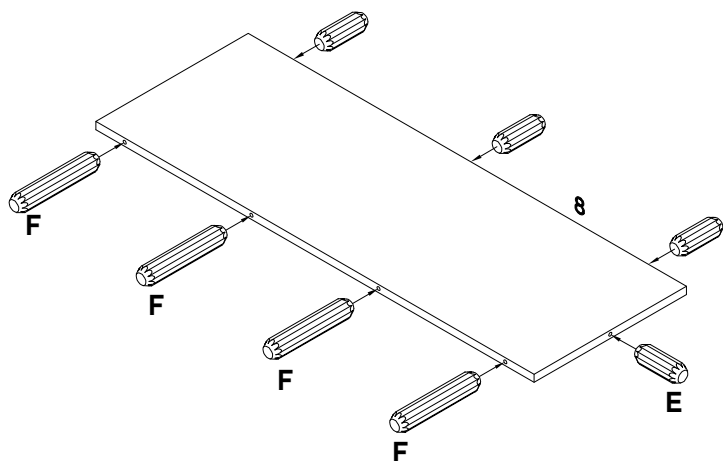
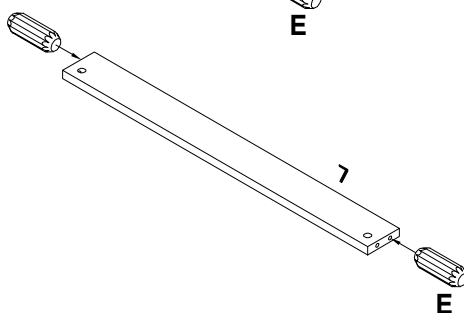
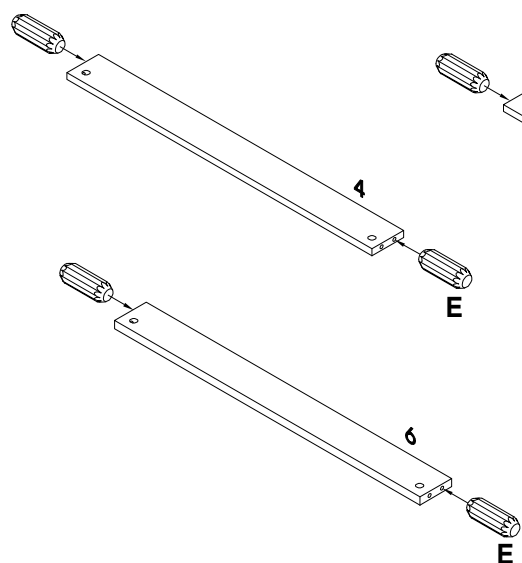
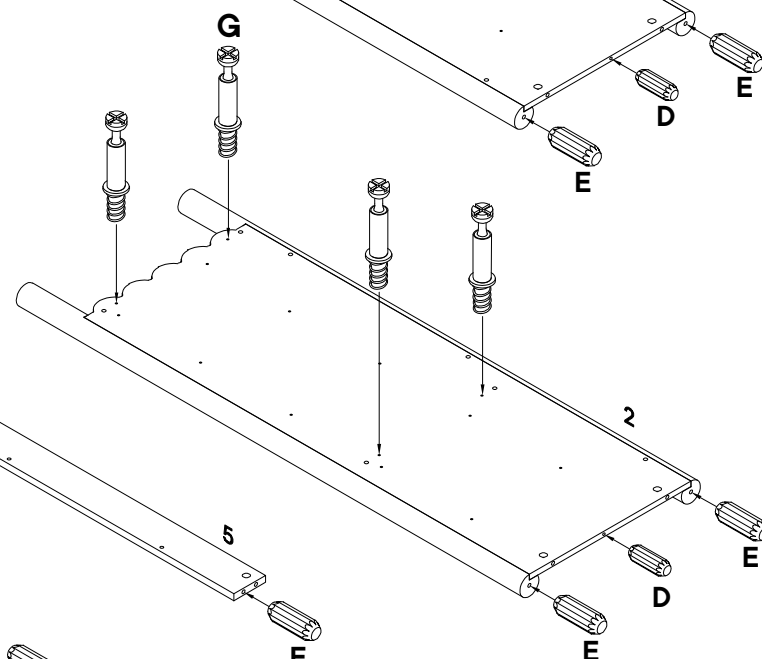
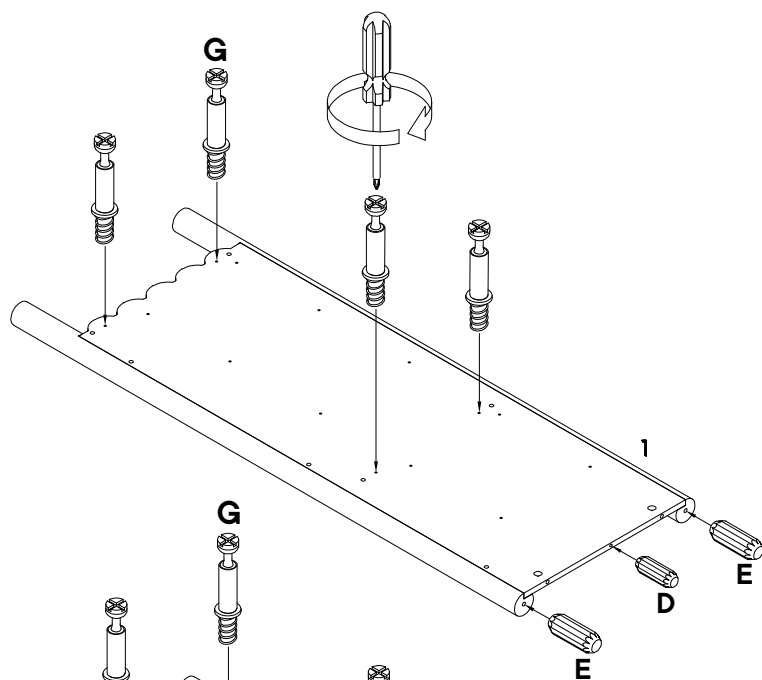
Step 1

HARDWARE

D	Wood Dowel Ø6 x 20 mm	x2
E	Wood Dowel Ø8 x 25 mm	x20
F	Wood Dowel Ø8 x 50 mm	x4
G	Cam Bolt 20 x 5 mm	x8

COMPONENTS

1	Side Panel Left	x1
2	Side Panel Right	x1
4	Front Rail Panel Bottom	x1
5	Back Rail Panel Bottom	x1
6	Front Rail Panel Top	x1
7	Back Rail Panel Top	x1
8	Back Panel	x2



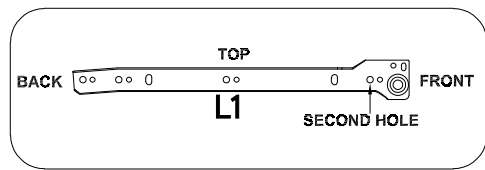
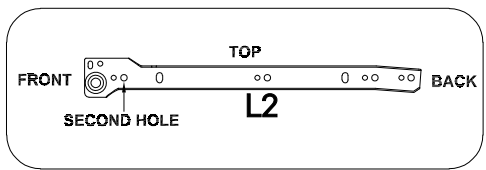
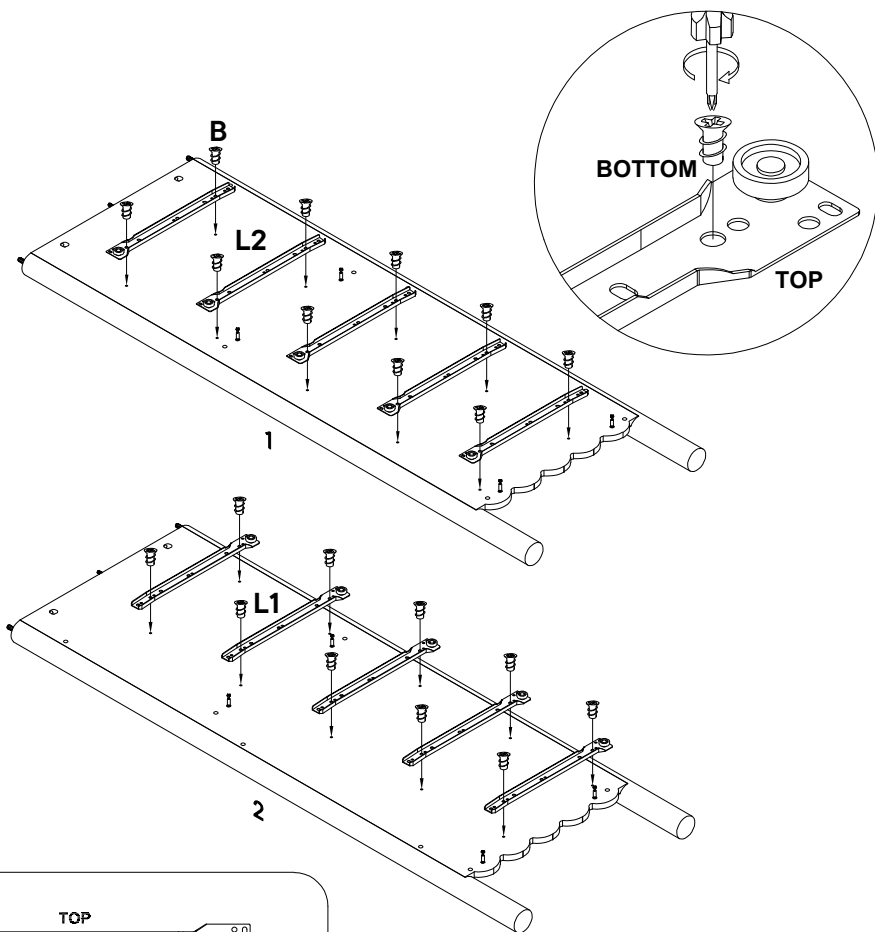
Step 2

HARDWARE

B Screw 6 x 9 mm	x20
L1 Drawer Slide CR (300mm)	x5
L2 Drawer Slide CL (300mm)	x5

COMPONENTS

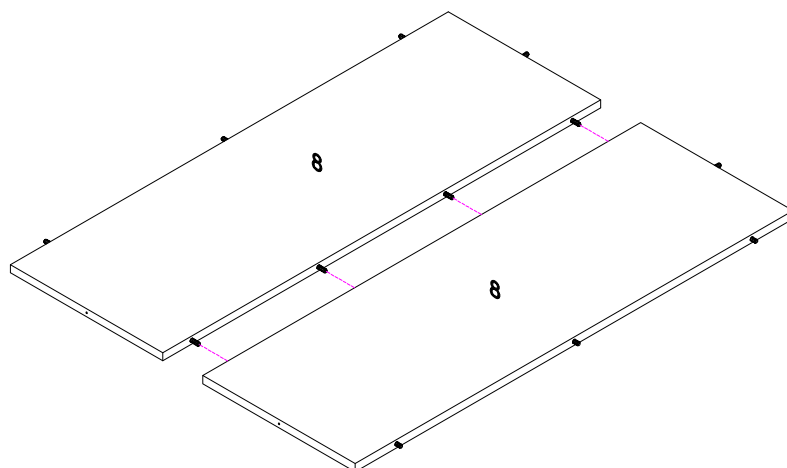
1 Side Panel Left	x1
2 Side Panel Right	x1



Step 3

COMPONENTS

8 Back Panel	x2
---------------------	----



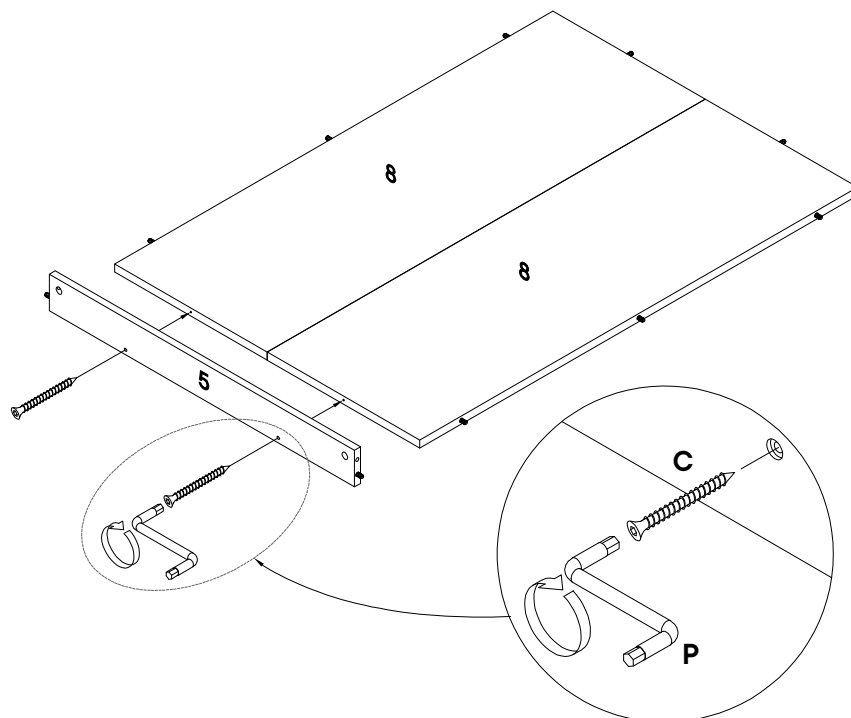
Step 4

HARDWARE

- C** Screw 6 x 40 mm x2
- P** Allen Key x1

COMPONENTS

- 5** Back Rail Panel Bottom x1
- 8** Back Panel x2



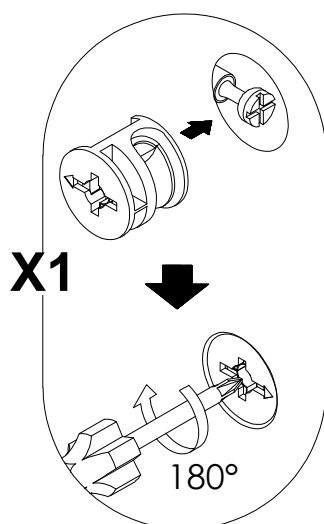
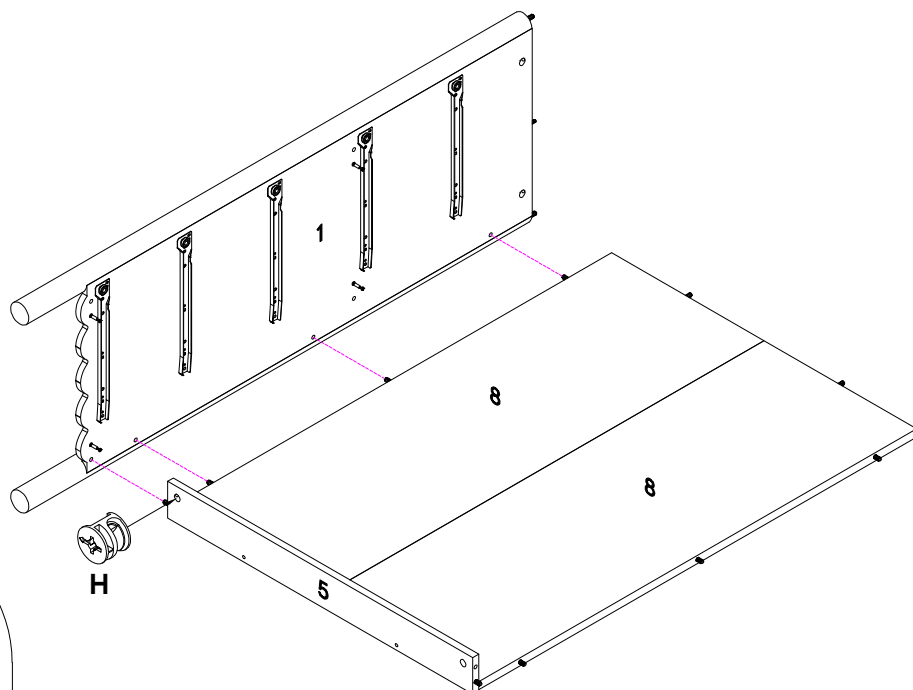
Step 5

HARDWARE

- H** Cam Lock 15/15 x1

COMPONENTS

- 1** Side Panel Left x1
- 5** Back Rail Panel Bottom x1
- 8** Back Panel x2



Step 6

HARDWARE

H Cam Lock 15/15 x3

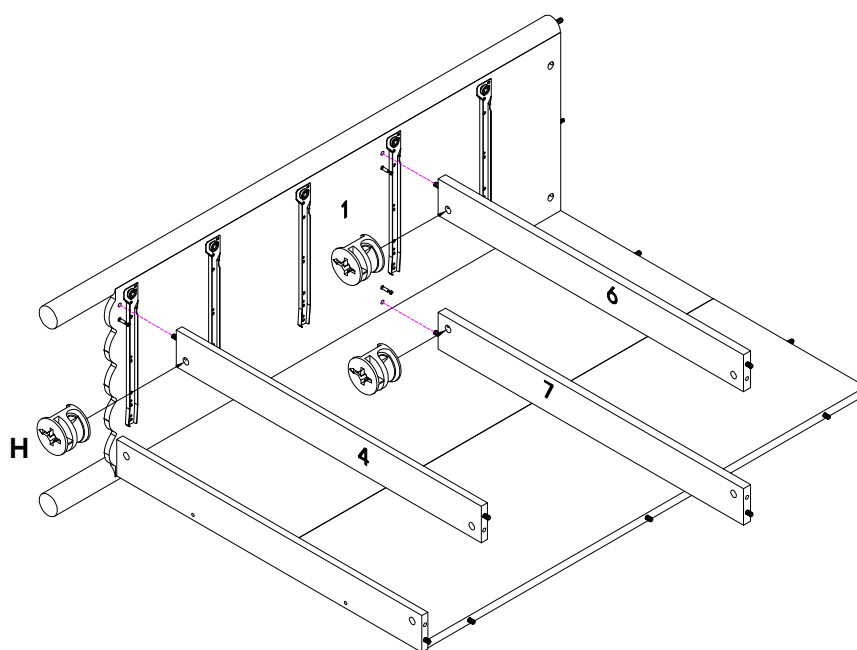
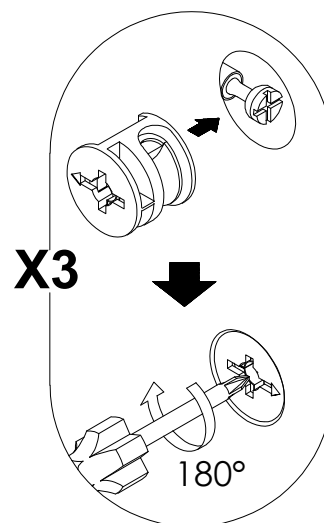
COMPONENTS

1 Side Panel Left x1

4 Front Rail Panel Bottom x1

6 Front Rail Panel Top x1

7 Back Rail Panel Top x1



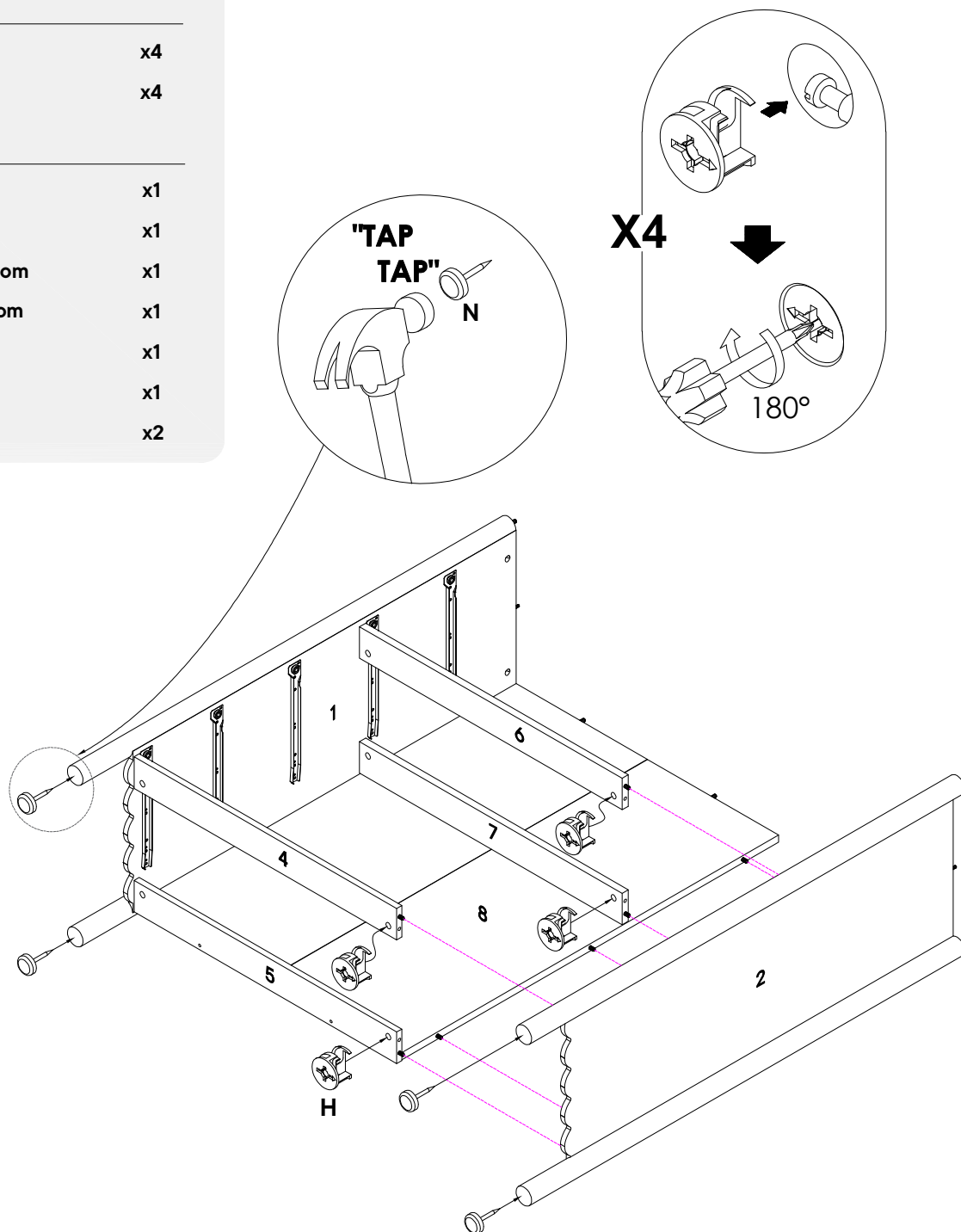
Step 7

HARDWARE

- H** Cam Lock 15/15 x4
- N** Plastic Leg Stud x4

COMPONENTS

- 1** Side Panel Left x1
- 2** Side Panel Right x1
- 4** Front Rail Panel Bottom x1
- 5** Back Rail Panel Bottom x1
- 6** Front Rail Panel Top x1
- 7** Back Rail Panel Top x1
- 8** Back Panel x2



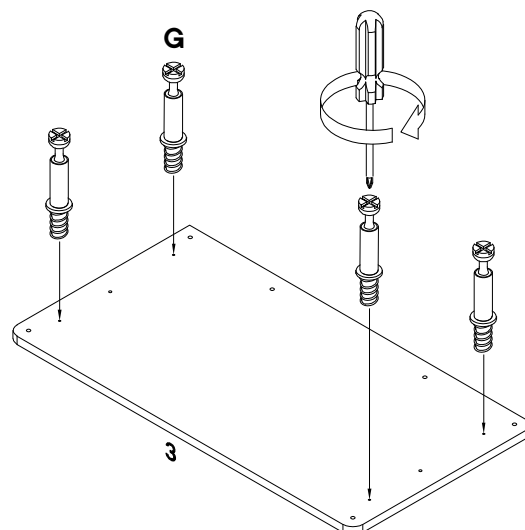
Step 8

HARDWARE

G Cam Bolt 20 x 5 mm x4

COMPONENTS

3 Top Panel x1



Step 9

HARDWARE

J Cam Lock 15/12 x4

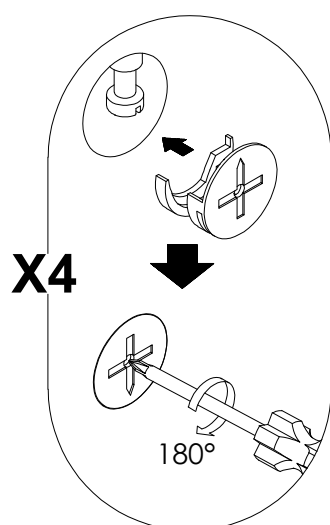
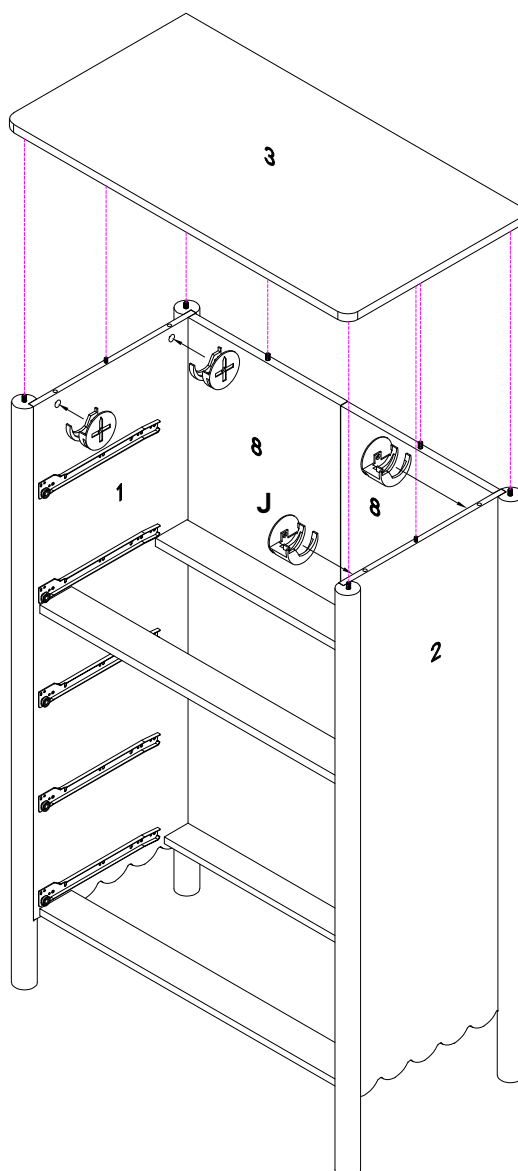
COMPONENTS

1 Side Panel Left x1

2 Side Panel Right x1

3 Top Panel x1

8 Back Panel x2



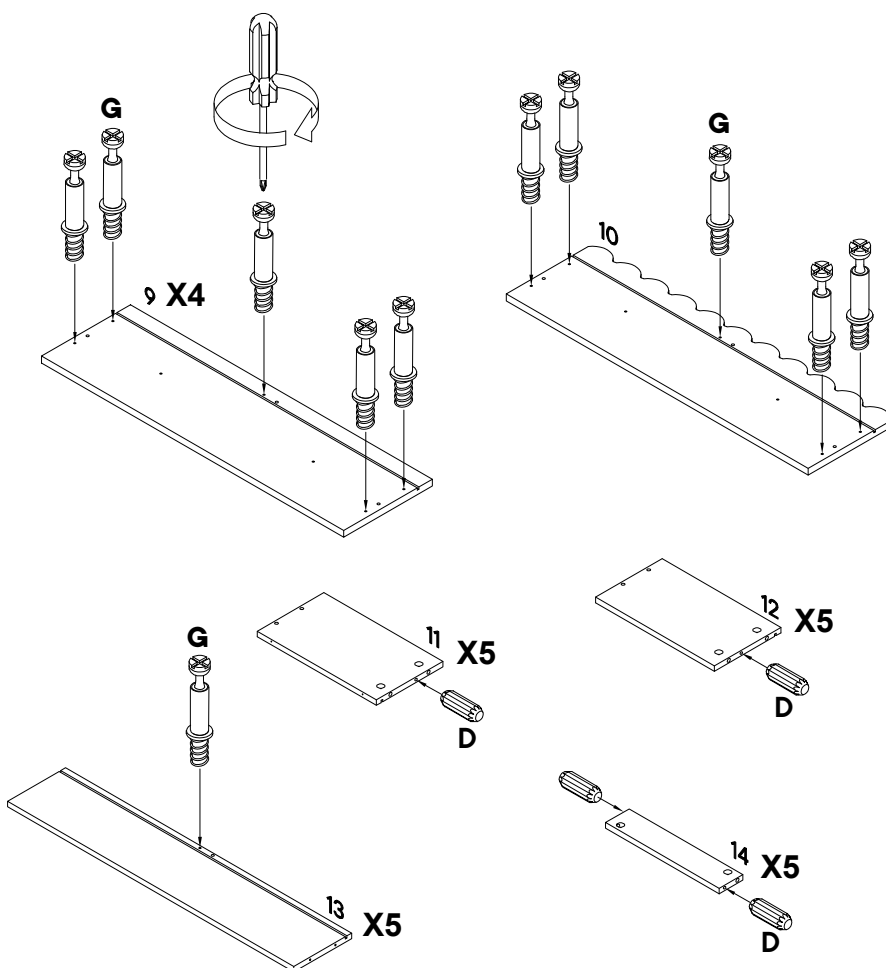
Step 10

HARDWARE

- D** Wood Dowel Ø6 x 20 mm x20
- G** Cam Bolt 20 x 5 mm x30

COMPONENTS

- 9** Drawer Front x4
- 10** Drawer Front Bottom x1
- 11** Drawer Side Left x5
- 12** Drawer Side Right x5
- 13** Drawer Back x5
- 14** Drawer Support x5



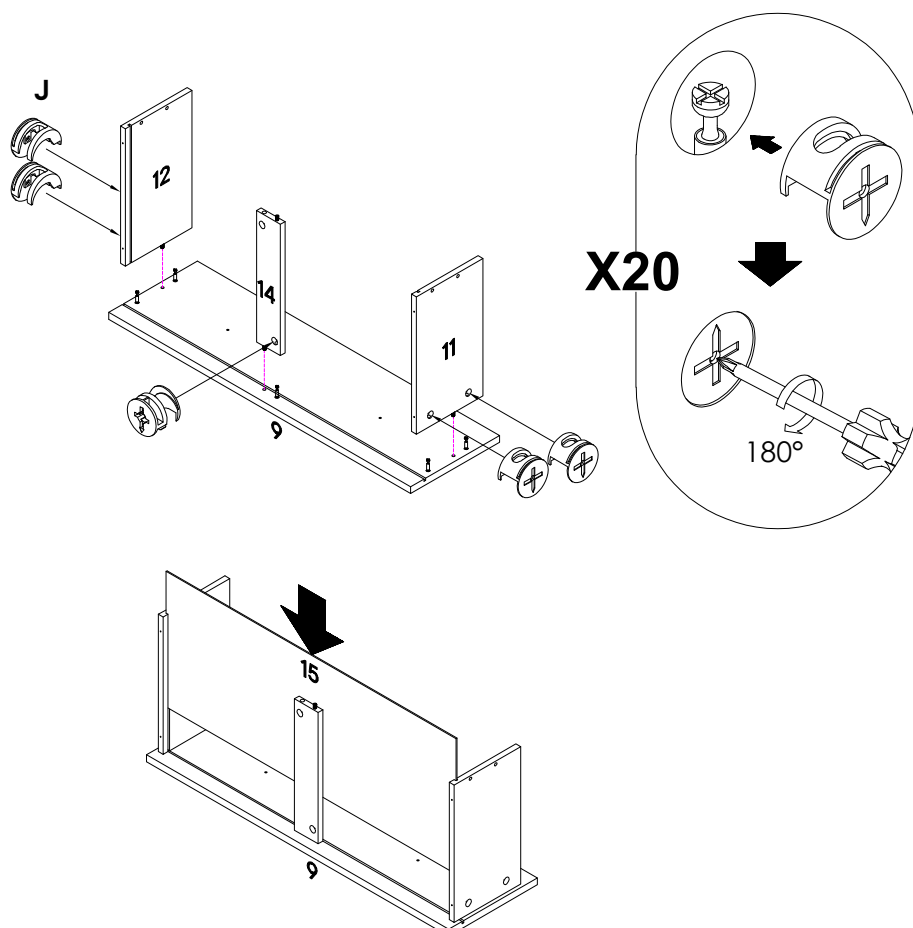
Step 11

HARDWARE

- J** Cam Lock 15/12 x20

COMPONENTS

- 9** Drawer Front x4
- 11** Drawer Side Left x4
- 12** Drawer Side Right x4
- 14** Drawer Support x4
- 15** Drawer Support x4



X4

Step 12

HARDWARE

J Cam Lock 15/12 x5

COMPONENTS

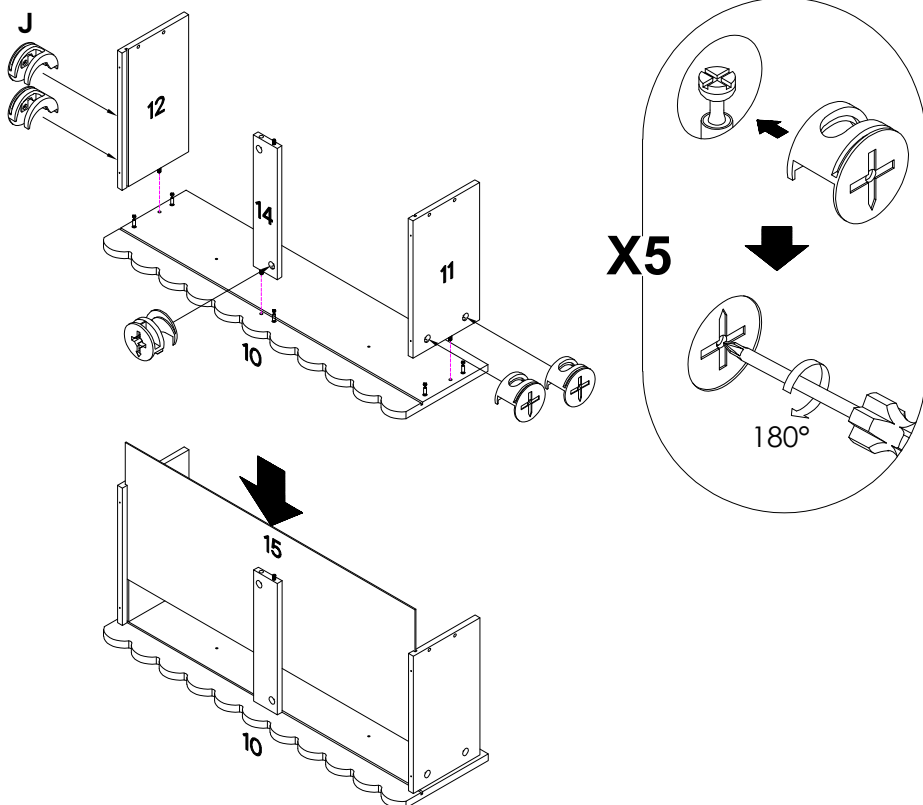
10 Drawer Front Bottom x1

11 Drawer Side Left x1

12 Drawer Side Right x1

14 Drawer Support x1

15 Drawer Bottom x1



Step 13

HARDWARE

C Screw 6 x 40 mm x20

J Cam Lock 15/12 x5

P Allen Key x1

COMPONENTS

9 Drawer Front x4

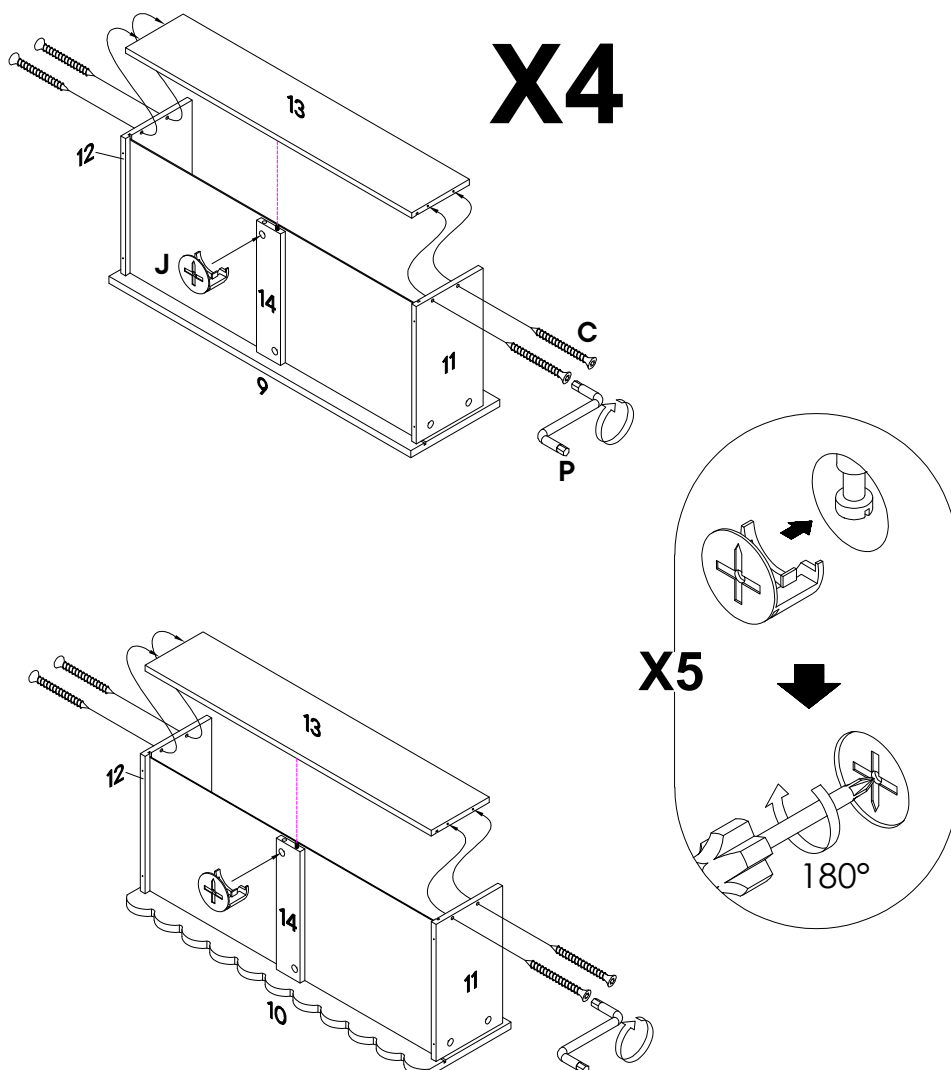
10 Drawer Front Bottom x1

11 Drawer Side Left x5

12 Drawer Side Right x5

13 Drawer Back x5

14 Drawer Support x5



Step 14

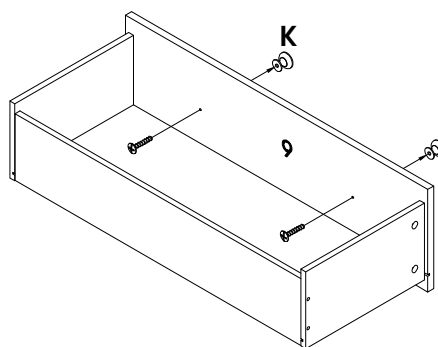
HARDWARE

K Handle x10

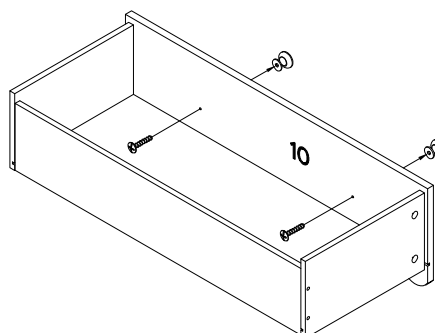
COMPONENTS

9 Drawer Front x4

10 Drawer Front Bottom x1



X4



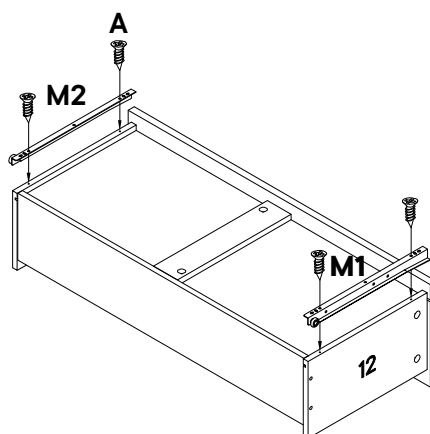
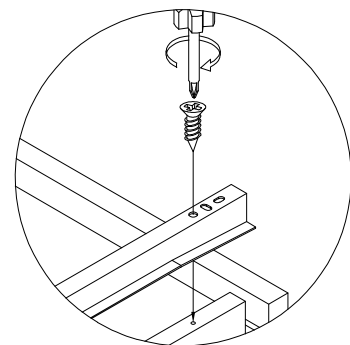
Step 15

HARDWARE

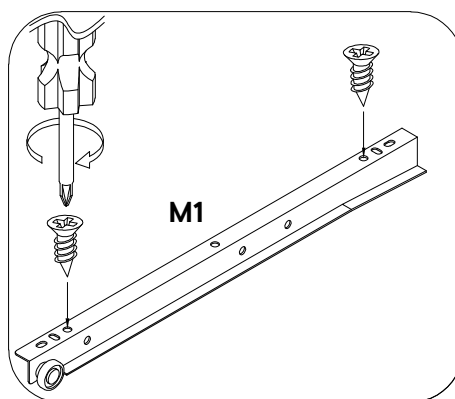
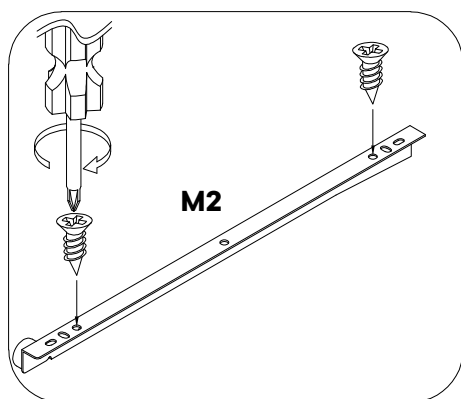
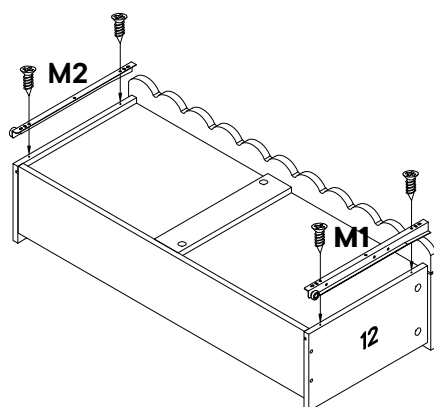
A Screw 3.5 x 12 mm	x20
M1 Drawer Slide DR (300mm)	x5
M2 Drawer Slide DL (300mm)	x5

COMPONENTS

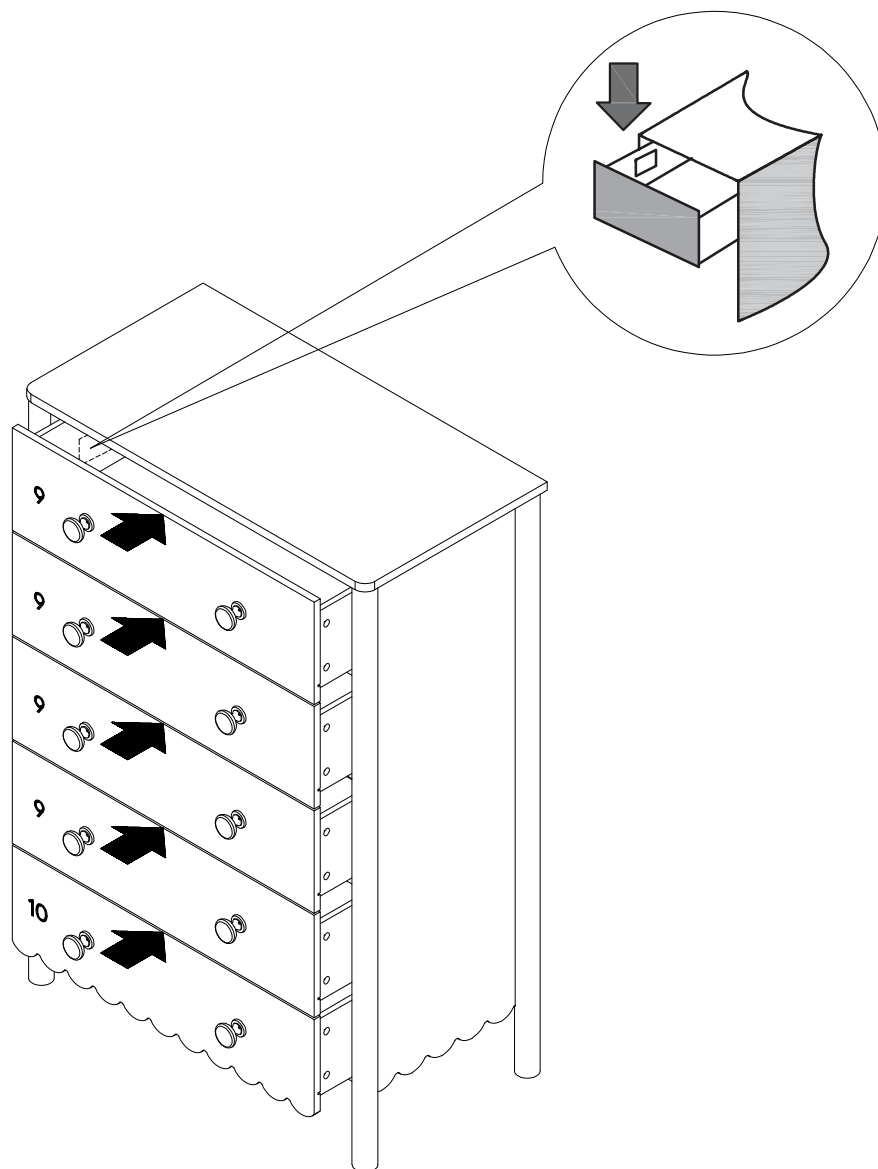
8 Drawer Side Left	x5
9 Drawer Side Right	x5



X4



Step 16



Great job!

Your Drawer Chest is complete

♥ CARING FOR YOUR ITEM

Indoor use only

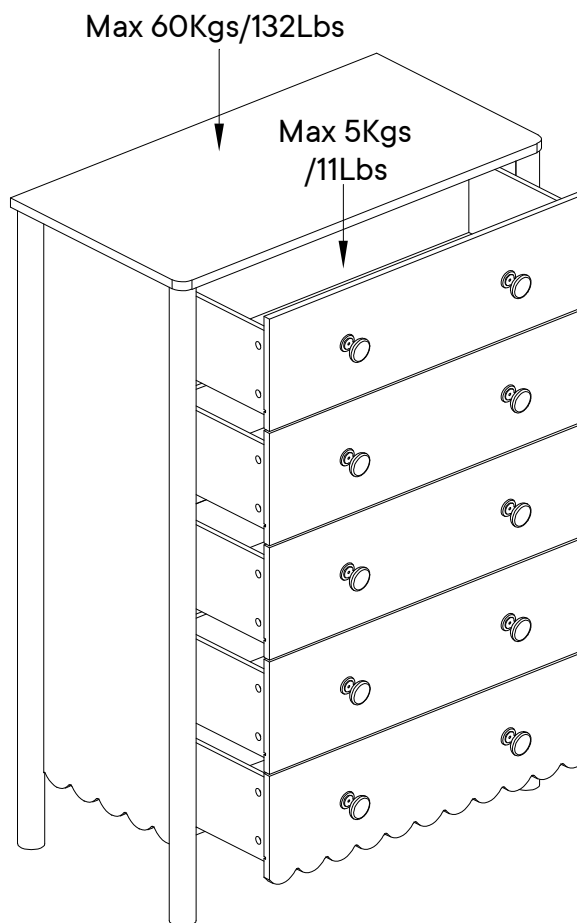
Not contract grade.

Clean using a non-abrasive cloth and a mild cleaner.

Never use harsh chemical, as they could damage the finish or integrity of the item.

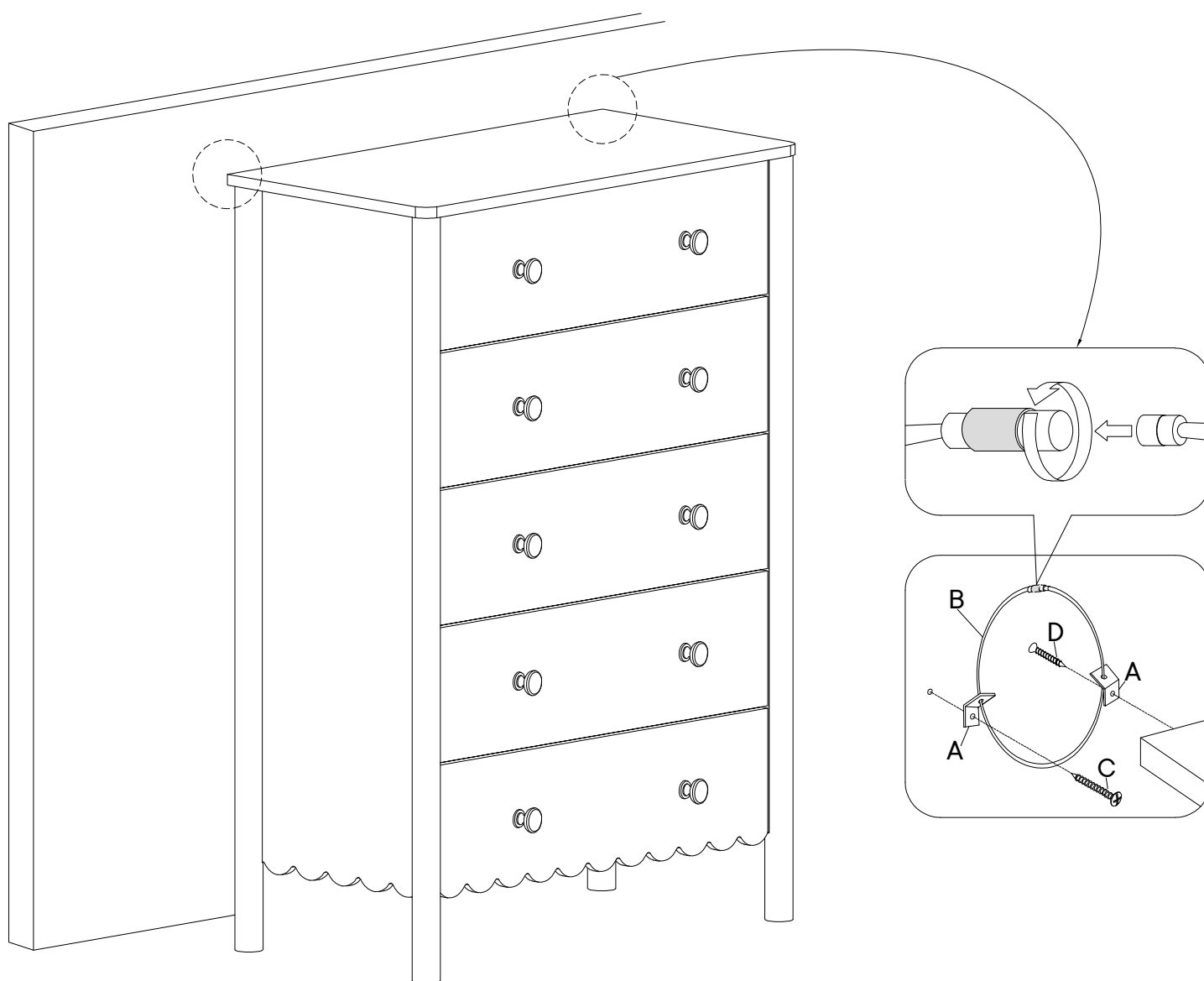
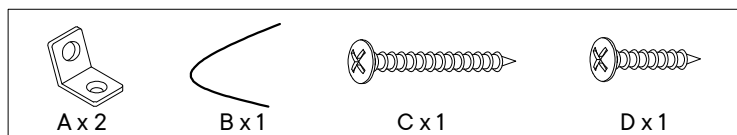
CONNECT WITH US!   

Tag us [@modway_furniture](#) and [#modway](#) for a chance to be featured.



TIPPING RESTRAINTS KIT INSTALLATION GUIDANCE

This tipping restraint is not an earthquake restraint. If you wish to add the extra security of earthquake restraints, they must be purchased and installed separately.



Installation Instructions :

1. Determine where the furniture is to be placed and find the center line of a wooden stud using a stud finder.
2. Drill a 1/8" pilot hole on the wooden stud approximately 3" below the height of unit top.
3. Attach one bracket (A) securely with screw (C) into the pilot hole on the wall.
4. Position the furniture in place and attach the other bracket (A) with screw (D) to the back edge of unit top in line with the bracket (A) on the wall.
5. Put the male end of the steel cable (B) through each bracket. Securely connect both ends together by turning the female connector clockwise.