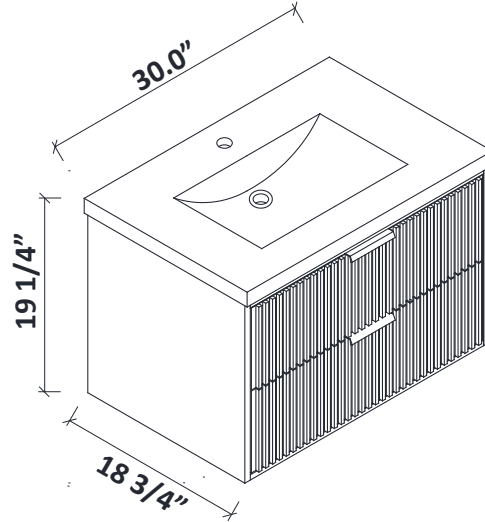
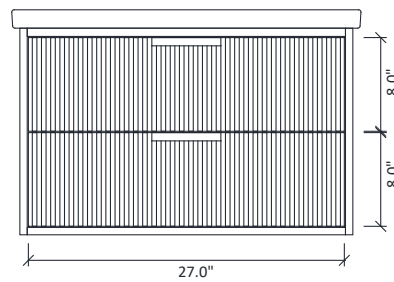
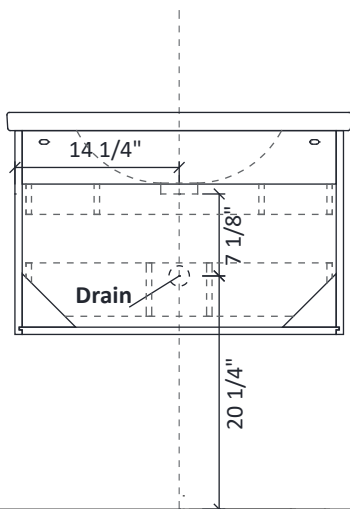
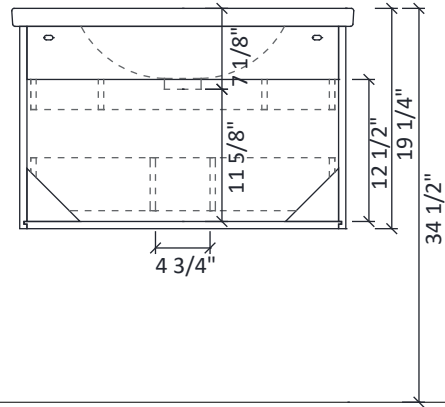
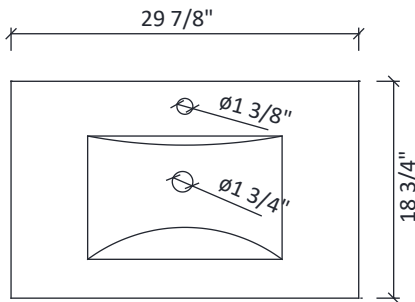


San diego 30 Floating Vanity Installation Instruction



DIMENSIONS



WARNING !

In the hole on the wall, please be sure to be careful to avoid the internal cables and pipelines.

MATERIALS & TOOLS






Safety glasses, Pencil, Level, Tape measure, Stud Finder, Assorted screwdrivers, Assorted Wrenches, Drill, Screw gun, Caulking gun, Hammer, Screws, Nail anchors/Molly screws.

Vanity Installation

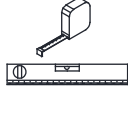



Step 1

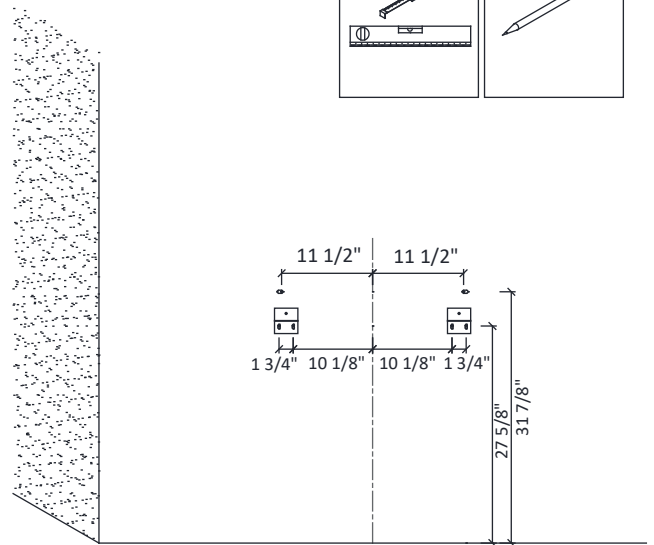
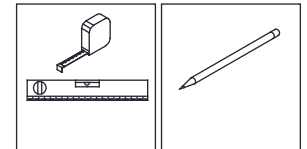
Step 2

PARTS

 A x2	 6*45 B x6	 C x2	 3.5*15 D x2
 E x6			

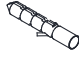

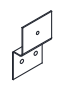
TOOLS REQUIRED

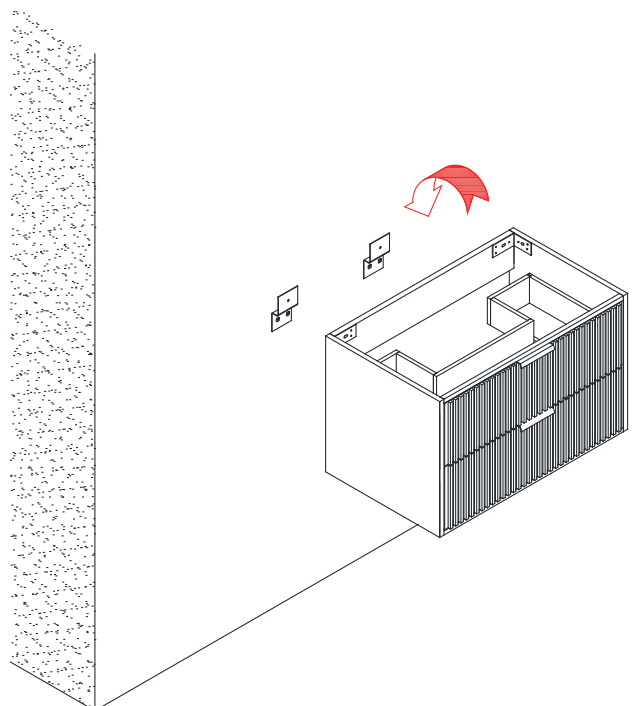
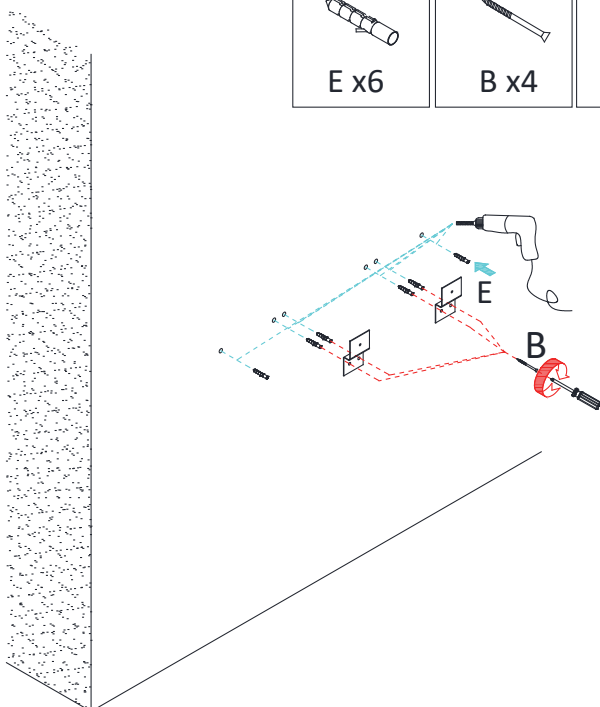
			
---	---	---	---



Step 3

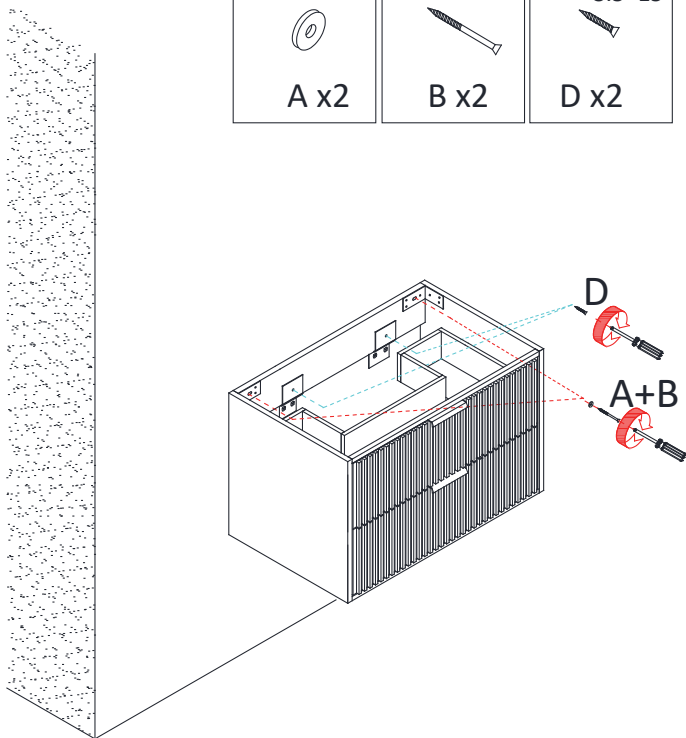
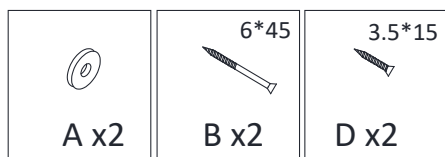
Step 4

 E x6	 6*45 B x4	 C x2
---	---	---

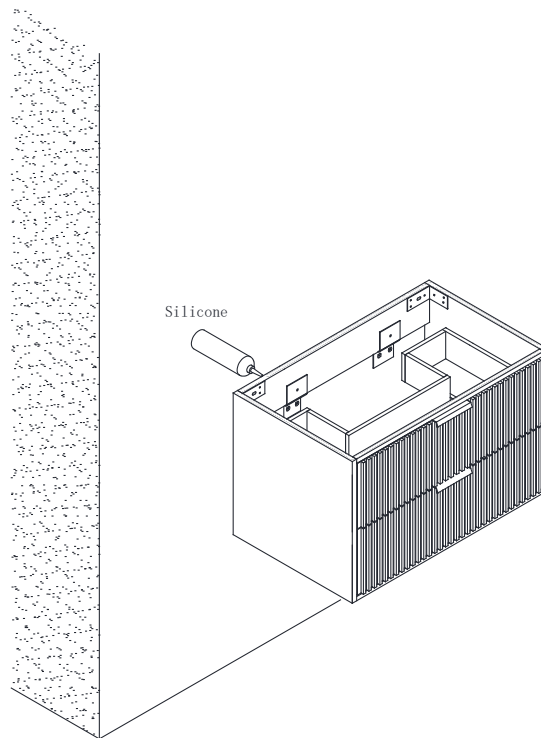


Vanity Installation

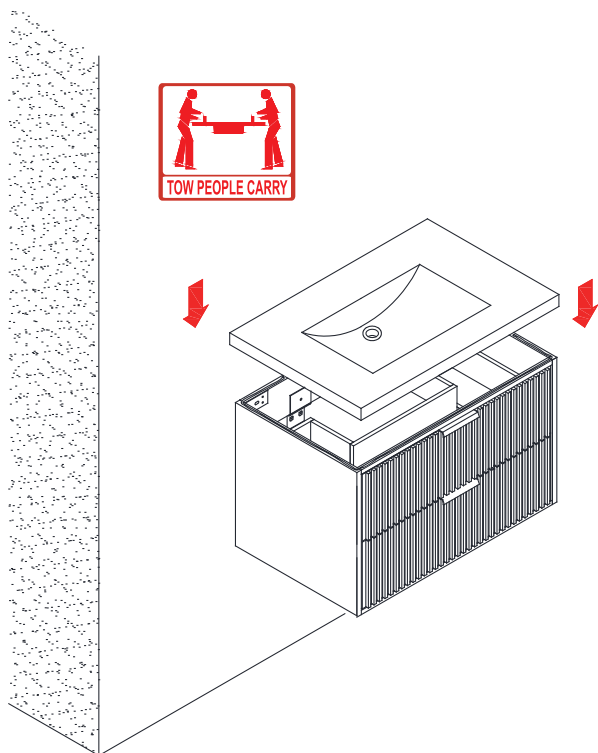
Step 5



Step 6



Step 7



Step 8

