

# FRIGIDAIRE

## GALLERY



### 30" Rear Control Gas Range with Total Convection

#### Gas Range

Available Products: GCRG3060BD, GCRG3060BF

Available Colors: Black Stainless Steel, Stainless Steel

Version: 09/23

## Product Specifications

### Cooking Controls

|                     |     |
|---------------------|-----|
| Air Fry             | Yes |
| Air Sous Vide       | Yes |
| Bake                | Yes |
| Bake Time           | Yes |
| Broil               | Yes |
| Clock               | Yes |
| Convection Bake     | Yes |
| Convection Roast    | Yes |
| Cook Time           | Yes |
| Delay Clean         | Yes |
| Delay Start         | Yes |
| Door Lock           | Yes |
| Keep Warm           | Yes |
| Kitchen Timer       | Yes |
| Light               | Yes |
| Lockout             | Yes |
| No Preheat          | Yes |
| Numerical Keypad    | Yes |
| Off                 | Yes |
| Oven Light          | Yes |
| Probe               | Yes |
| Self Clean          | Yes |
| Set Clock           | Yes |
| Start               | Yes |
| Steam Bake          | Yes |
| Steam Clean         | Yes |
| Steam Roast         | Yes |
| Temperature Display | Yes |
| Timer On / Off      | Yes |
| User Preferences    | Yes |

### Cooking Controls Function

|   |     |
|---|-----|
| Change between Continuous Bake Setting or 12-Hour Energy Saving Feature | Yes |
| Delayed Bake  | Yes |
| Program Fahrenheit or Celsius   | Yes |
| Silent Control Panel  | Yes |

### Cooktop

|                      |            |
|----------------------|------------|
| Cooking Surface Type | Gas        |
| Grate Material       | Cast Iron  |
| Grate Quantity       | 2          |
| Grate Style          | Individual |
| Griddle Included     | Yes        |
| Sealed Burners       | Yes        |

### Drawer

|                     |            |
|---------------------|------------|
| Drawer Handle Style | Integrated |
| Drawer Type         | Storage    |

### Display

|                         |       |
|-------------------------|-------|
| Control Location        | Rear  |
| Display Interface Color | White |

### Electrical Specifications

|                          |         |
|--------------------------|---------|
| Minimum Circuit Required | 12 Amps |
| Voltage Rating           | 120 V   |

### General Specifications

|                  |        |
|------------------|--------|
| Prop 65 Label    | Yes    |
| Warranty - Labor | 1 Year |
| Warranty - Parts | 1 Year |

**Oven**

|                           |                |
|---------------------------|----------------|
| Bake Element              | 18000 BTU      |
| Broil Element             | 1400 Watts     |
| Broil Element Pass        | 6              |
| Broil System              | Yes            |
| Cleaning System           | Yes            |
| Convection                | Yes            |
| Convection Element        | 1000 Watts     |
| Convection Type           | Total          |
| Number of Convection Fans | 1              |
| Number of Rack Positions  | 6              |
| Oven Interior Color       | Midnight Black |
| Oven Light Quantity       | 1              |
| Oven Light Type           | Halogen        |
| Oven Light Watts          | 40 Watts       |
| Rack Position Type        | Embossed       |
| Rack Type 1               | Flat           |
| Rack Type 1 Quantity      | 2              |

**Cooktop Performance**

|                            |           |
|----------------------------|-----------|
| Right Front Element Burner | 18000 BTU |
| Right Rear Element Burner  | 5000 BTU  |
| Left Front Element Burner  | 14000 BTU |
| Left Rear Element Burner   | 10000 BTU |
| Center Rear Element Burner | 10000 BTU |

**Controls**

|              |     |
|--------------|-----|
| Control Lock | Yes |
| Sabbath Mode | Yes |

**Dimensions and Volume**

|                          |             |
|--------------------------|-------------|
| Minimum Height           | 46 3/4"     |
| Maximum Height           | 47 3/4"     |
| Width                    | 30"         |
| Depth                    | 26"         |
| Depth With Door 90° Open | 47 5/16"    |
| Depth With Handle        | 28 1/2"     |
| Oven Interior Height     | 17 5/8"     |
| Oven Interior Width      | 25 3/16"    |
| Oven Interior Depth      | 19 7/8"     |
| Oven Capacity            | 5.1 Cu. Ft. |

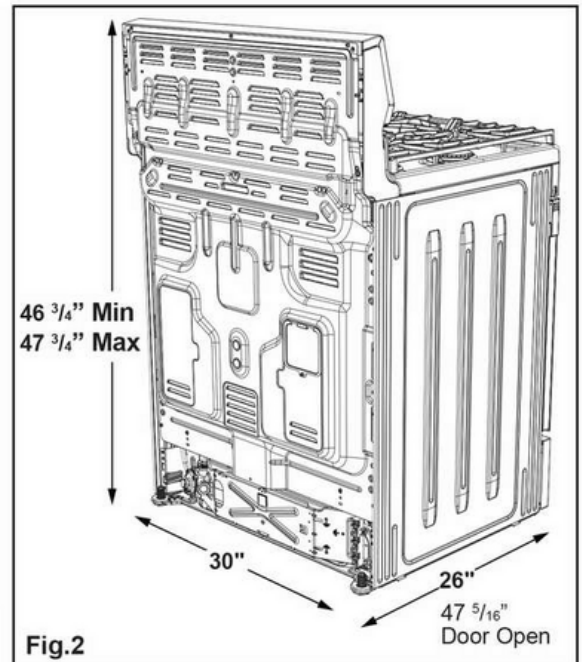
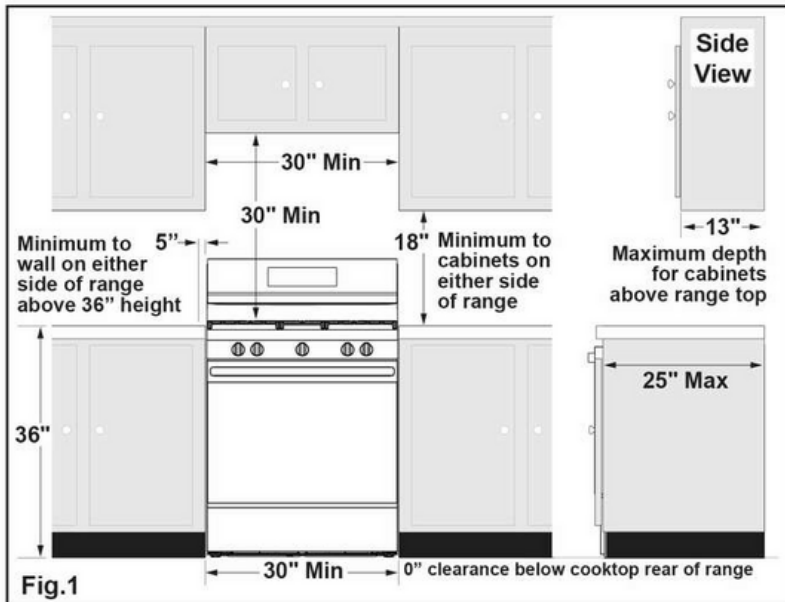
**Installation**

|                          |     |
|--------------------------|-----|
| Adjustable Leveling Legs | Yes |
| Power Cord Included      | Yes |

**Safety Certifications and Approvals**

|            |     |
|------------|-----|
| CSA Listed | Yes |
|------------|-----|

## Installation Diagram



\*30" (762 mm) MINIMUM CLEARANCE BETWEEN THE TOP OF THE COOKING SURFACE AND THE BOTTOM OF AN UNPROTECTED WOOD OR METAL CABINET; OR 24" (610 mm) MINIMUM WHEN BOTTOM OF WOOD OR METAL CABINET IS PROTECTED BY NOT LESS THAN 1/4" (6 mm) FLAME RETARDANT MILLBOARD COVERED WITH NOT LESS THAN NO. 28 MSG SHEET STEEL, 0.015" (0.4 mm) STAINLESS STEEL, 0.024" (0.6 mm) ALUMINUM OR 0.020" (0.5 mm) COPPER. 0" (0 mm) CLEARANCE IS THE MINIMUM FOR THE REAR OF THE RANGE. FOLLOW ALL DIMENSION REQUIREMENTS PROVIDED ABOVE TO PREVENT PROPERTY DAMAGE, POTENTIAL FIRE HAZARD, AND INCORRECT COUNTERTOP AND CABINET CUTS.

