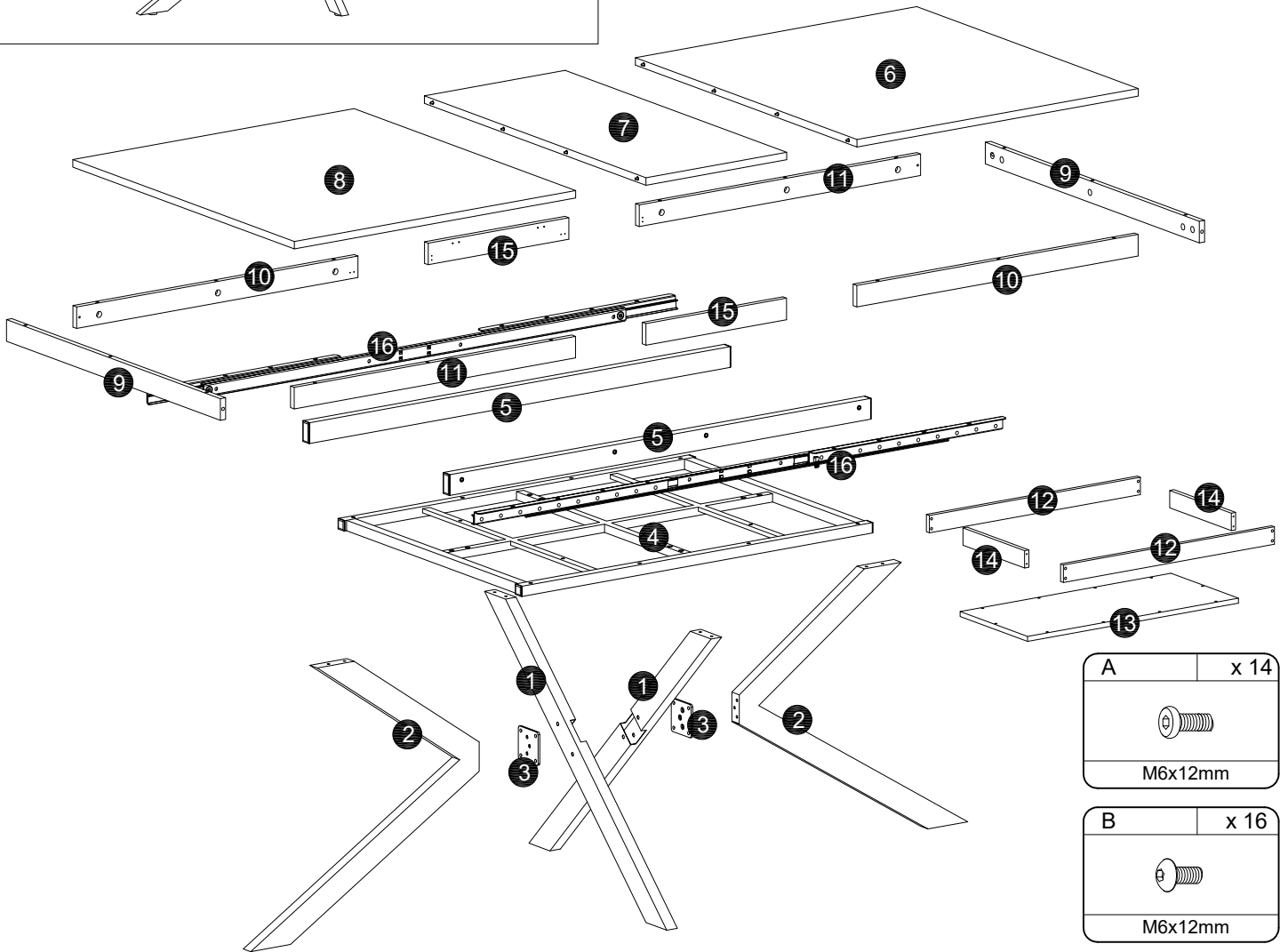
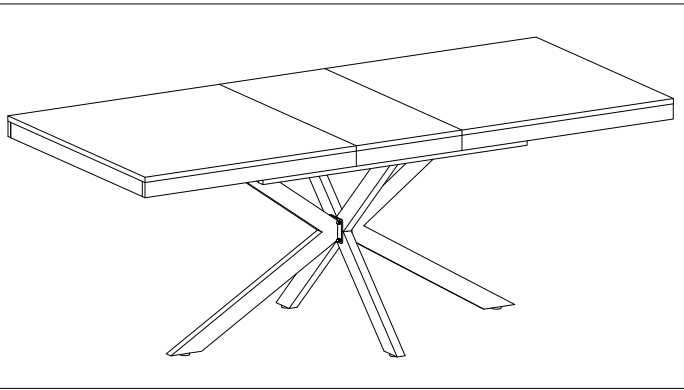


# ASSEMBLY INSTRUCTION



A	x 14
M6x12mm	

B	x 16
M6x12mm	

C	x 2
M6x18mm	

D	x 8
M6x35mm	

E	x 4
M6x50mm	

F	x 8
M6x30mm	

G	x 16
Ø3x14mm	

H	x 18
Ø4x35mm	

J	22
Ø6x35mm	

K	x 22
Ø15mm	

L	x 4
M6	

M	x 4
M6	

N	x 4
Ø30mm	

P	x 1
10mm	

Q	x 2
4mm	

R	x 4
Ø15mm	

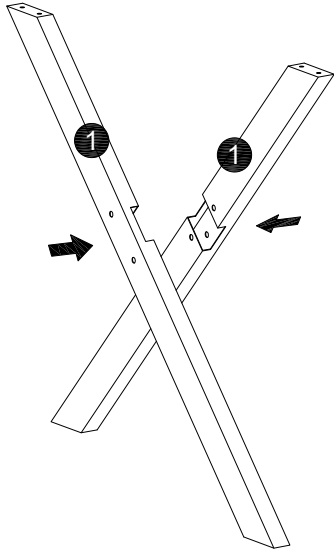
S	x 6
Ø15mm	

T	x 16
Φ4x14mm	

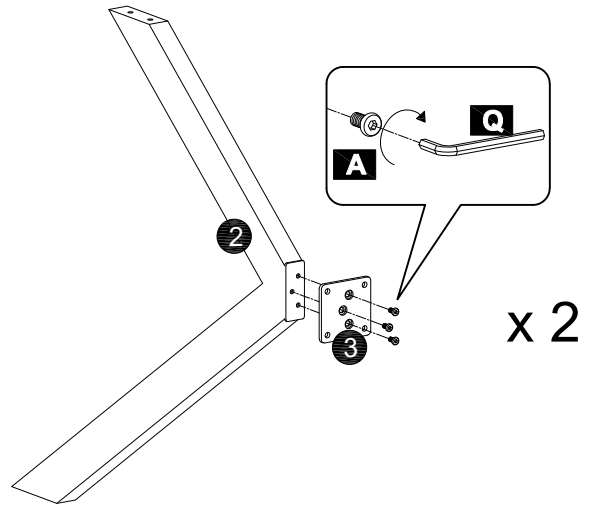
U	x 4
Ø30mm	


V	x 4
Ø30mm	

# 1.

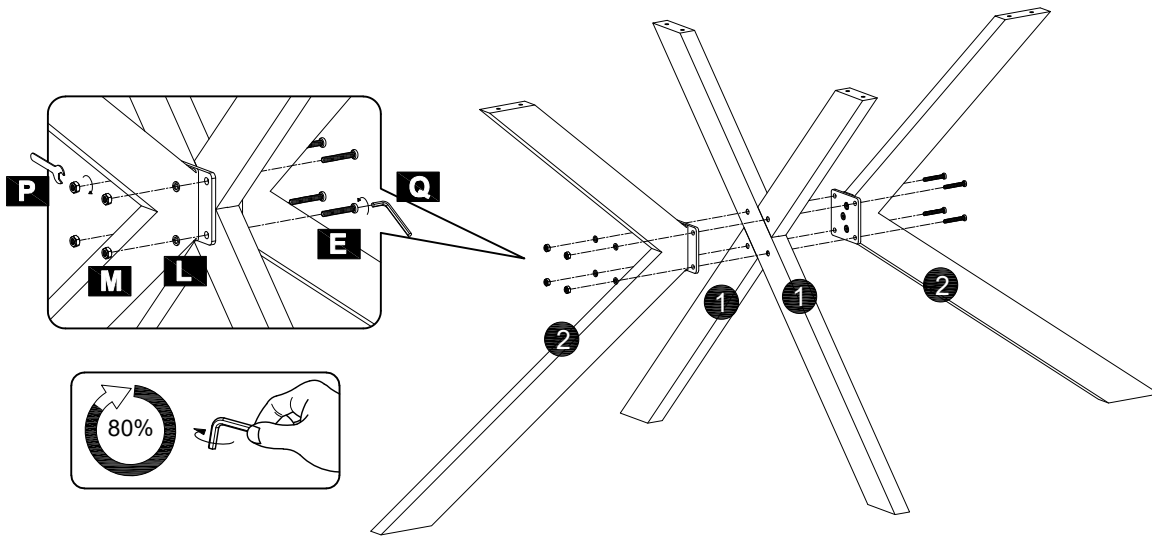


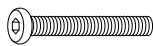
# 2.




A	x 6
	
M6x12mm	

# 3.

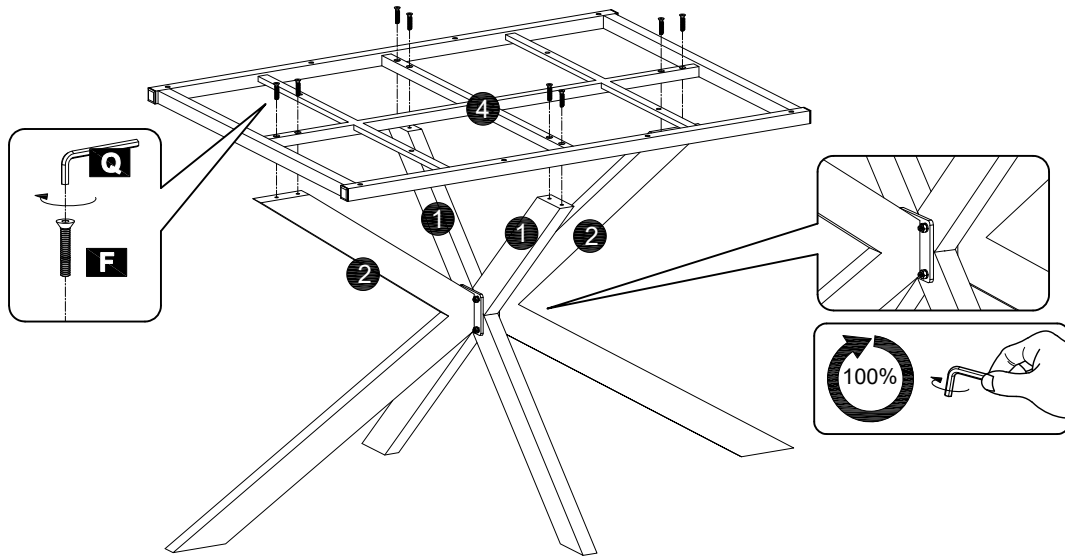


E	x 4
	
M6x50mm	

L	x 4
	
M6	

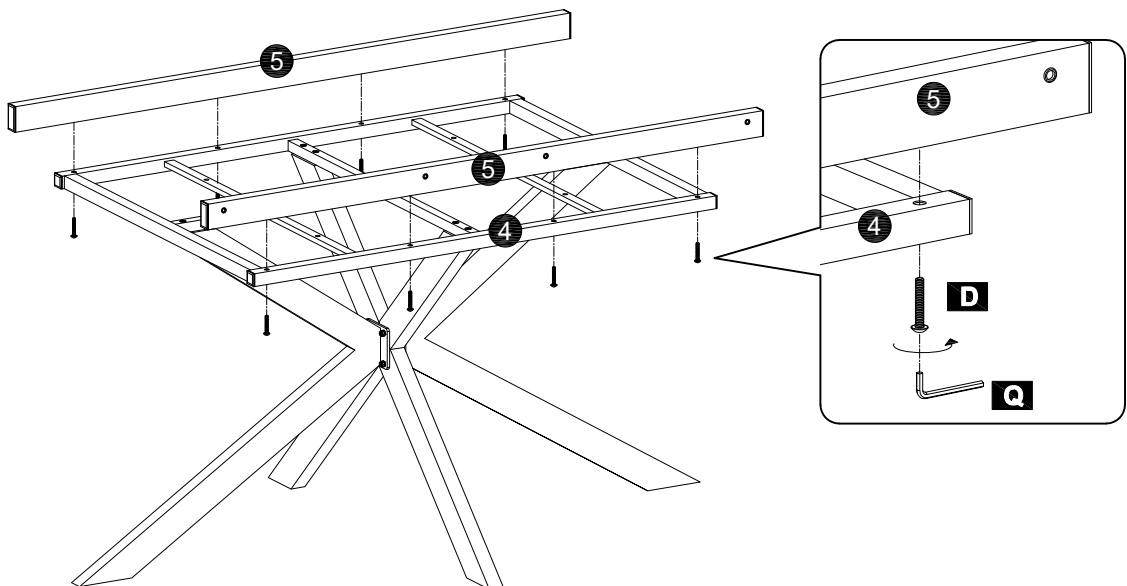
M	x 4
	
M6	

# 4.



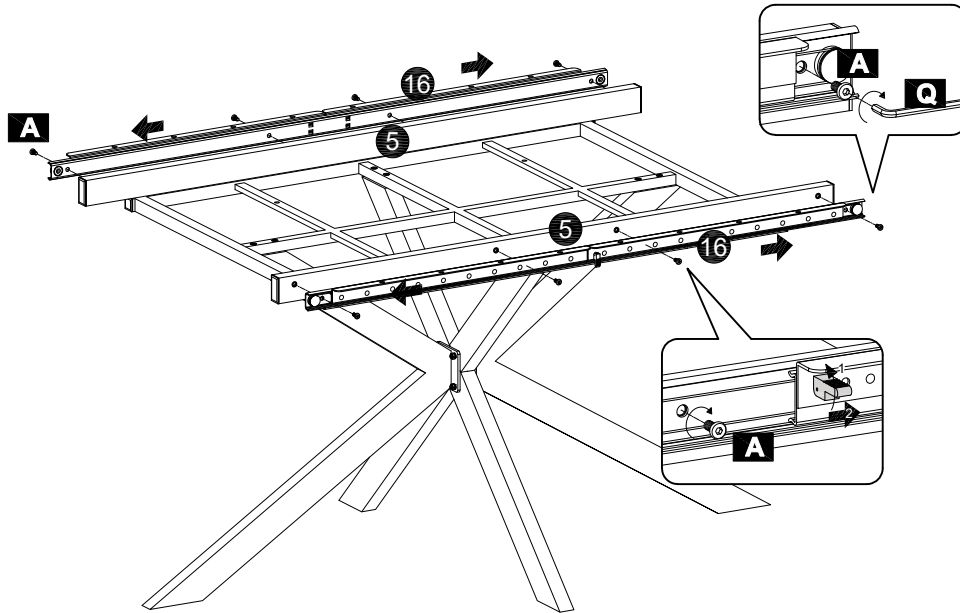
F	x 8
M6x30mm	

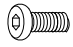
# 5.



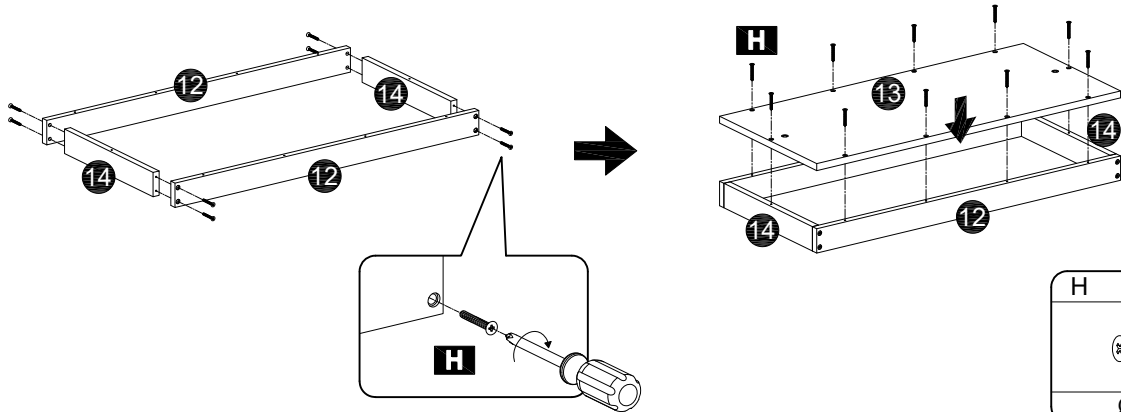
D	x 8
M6x35mm	


# 6.



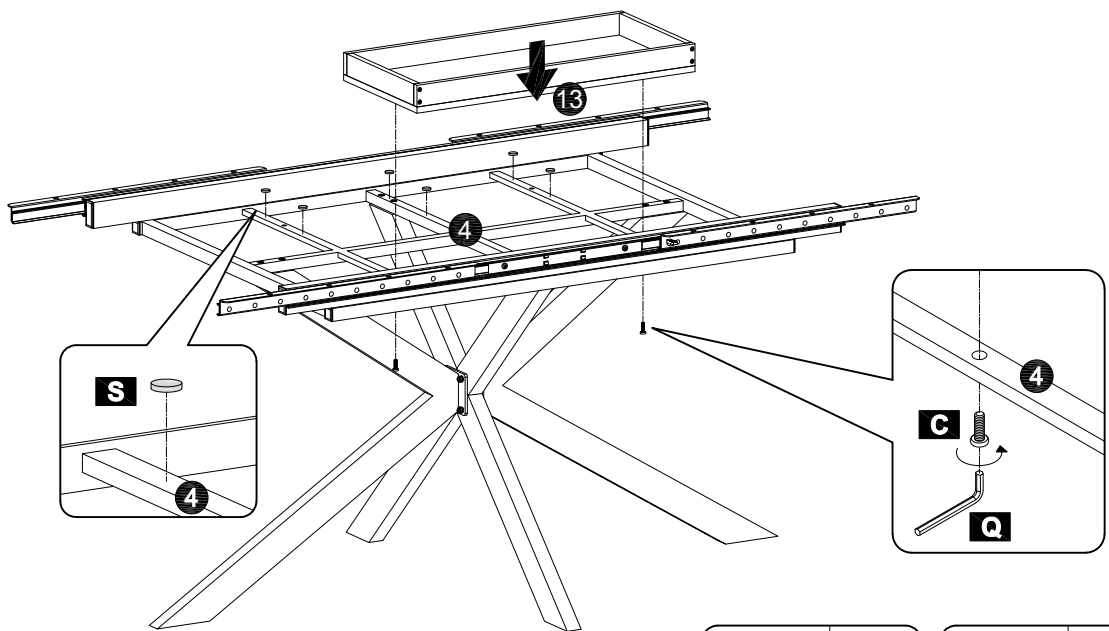
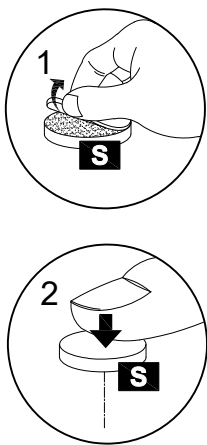
A	x 8
	
M6x12mm	


# 7.




H	x 18
	
Ø4x35mm	

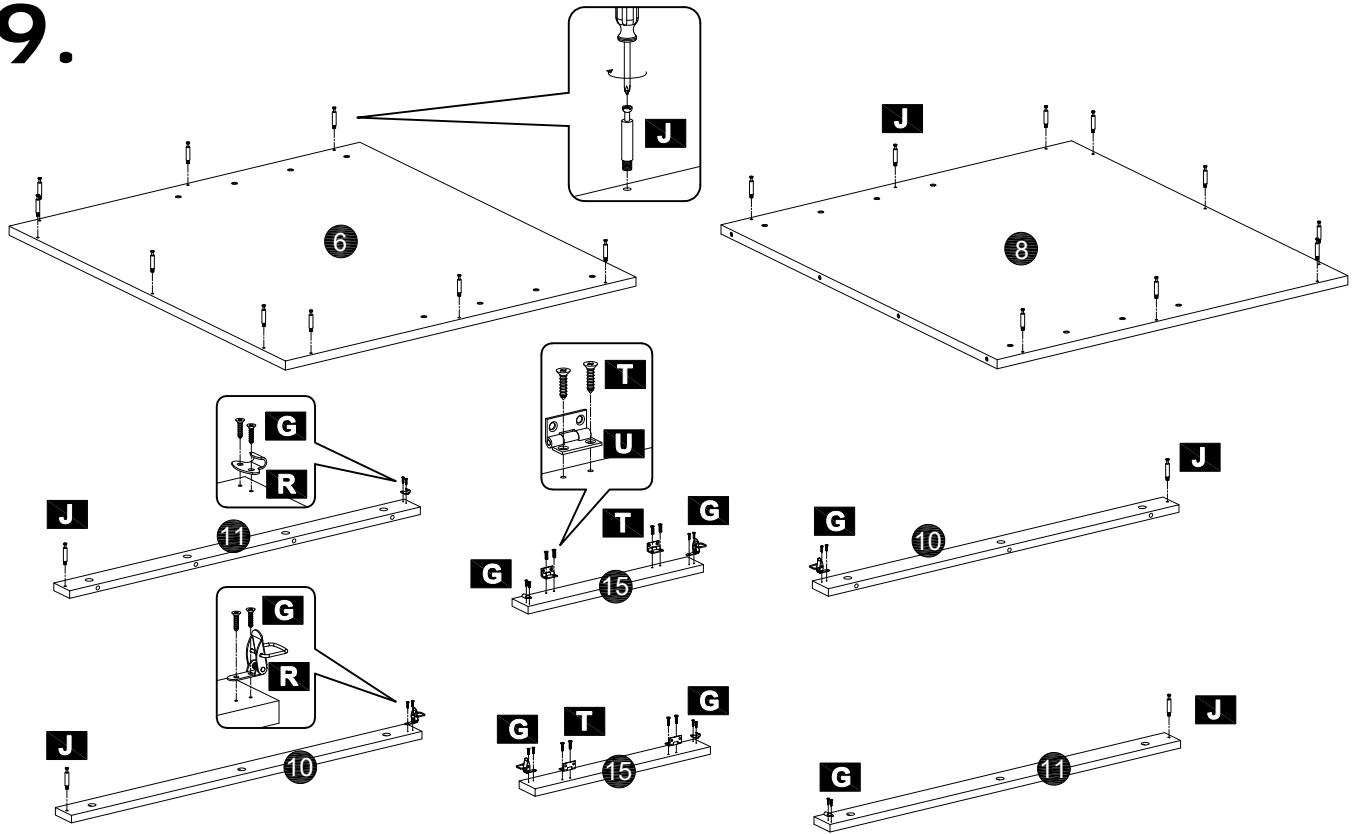
# 8.



C	x 2
	
M6x18mm	

S	x 6
	
Ø15mm	

# 9.



G	x 16
Ø3x14mm	

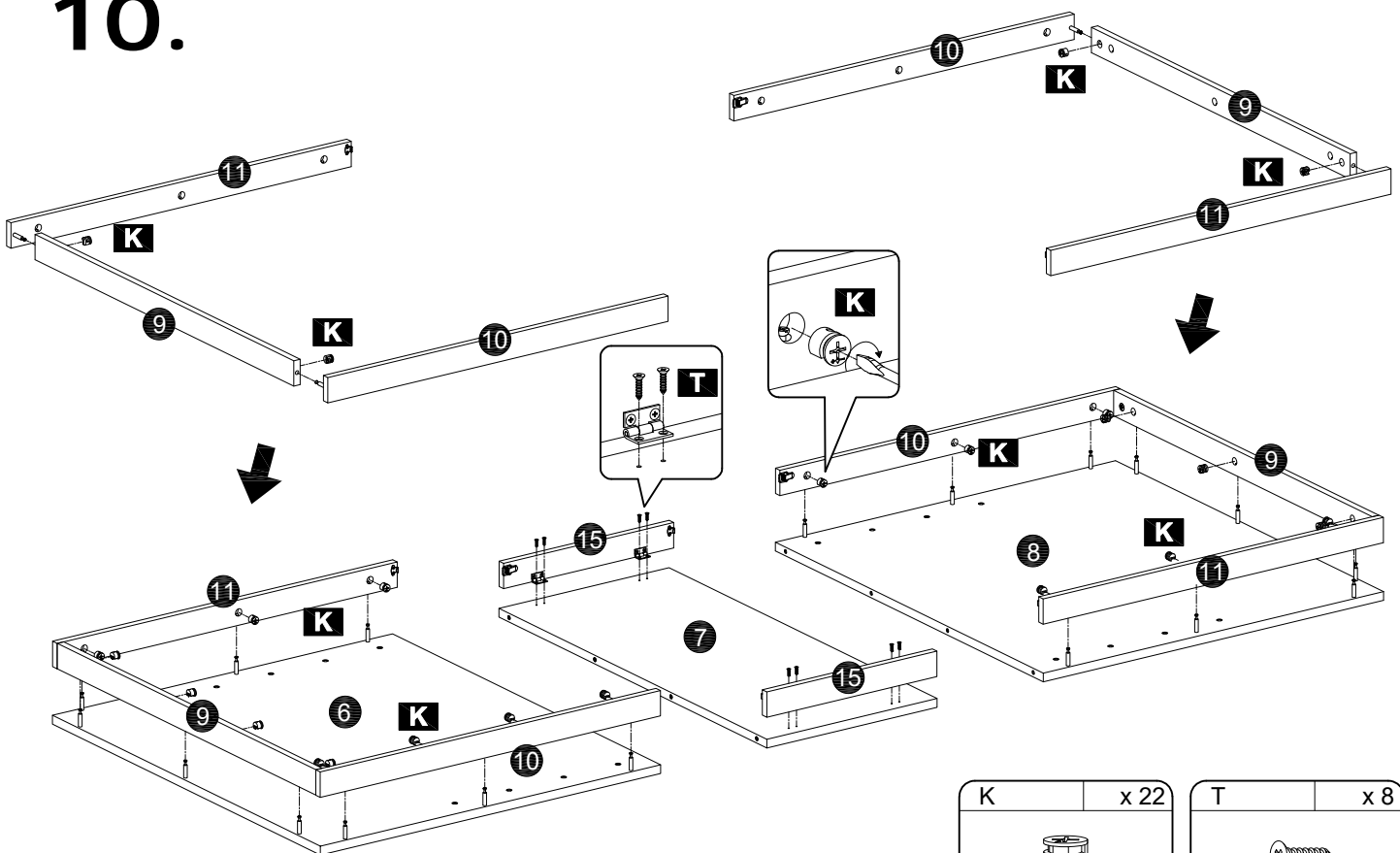
J	x 22
Ø6x35mm	

R	x 4

T	x 8
Φ4x14mm	

U	x 4

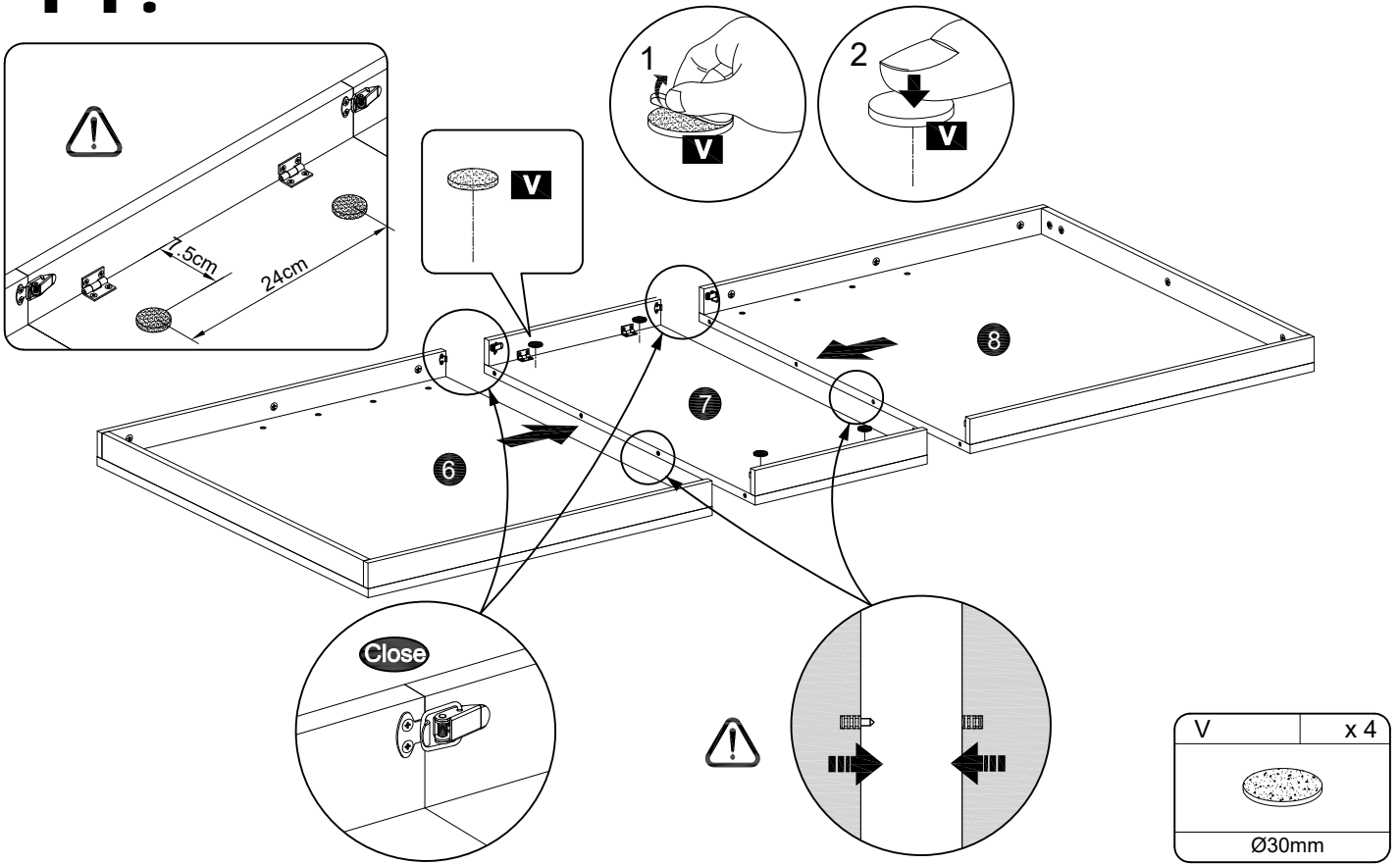
# 10.



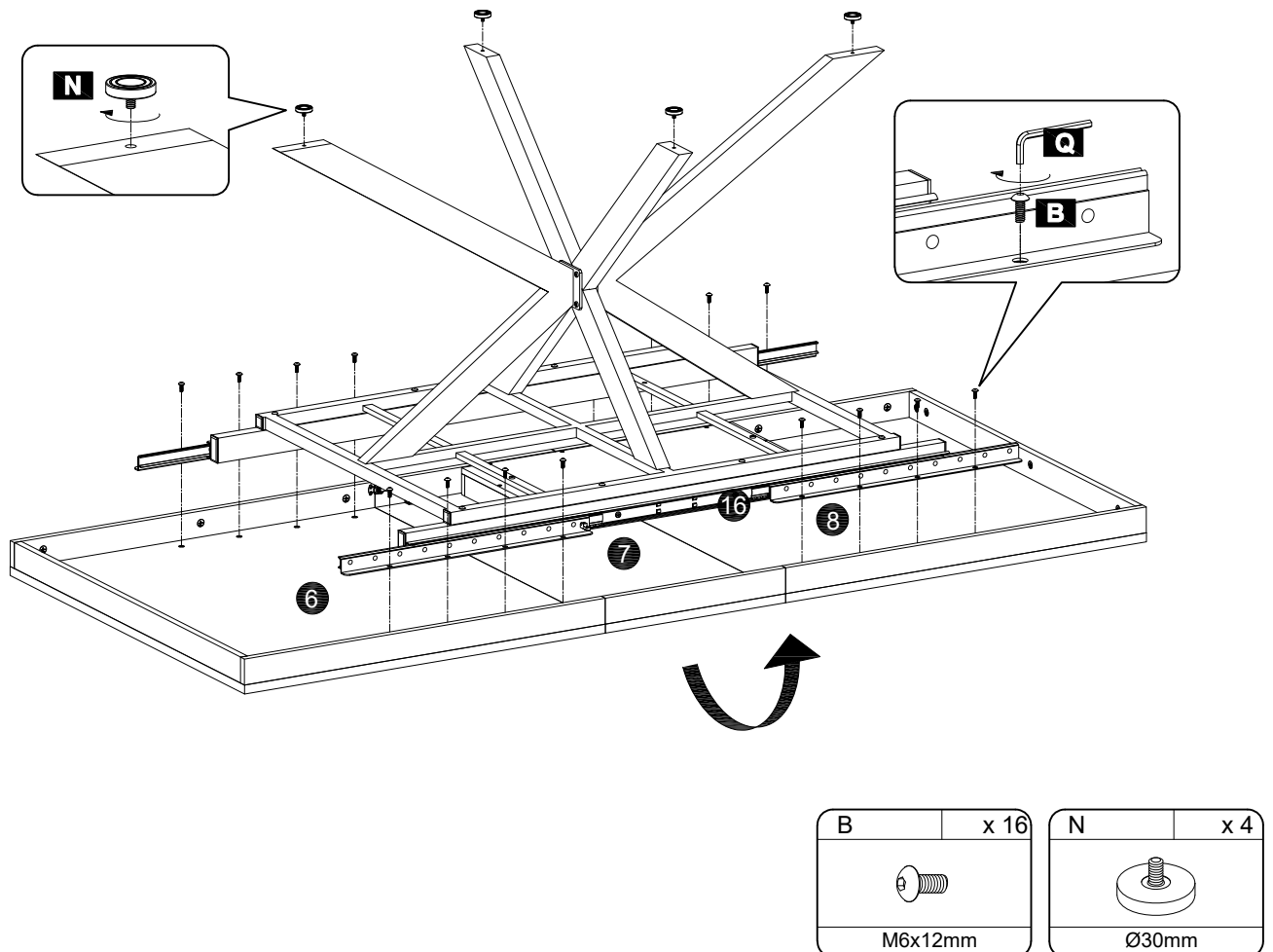
K	x 22
Ø15mm	

T	x 8
Φ4x14mm	

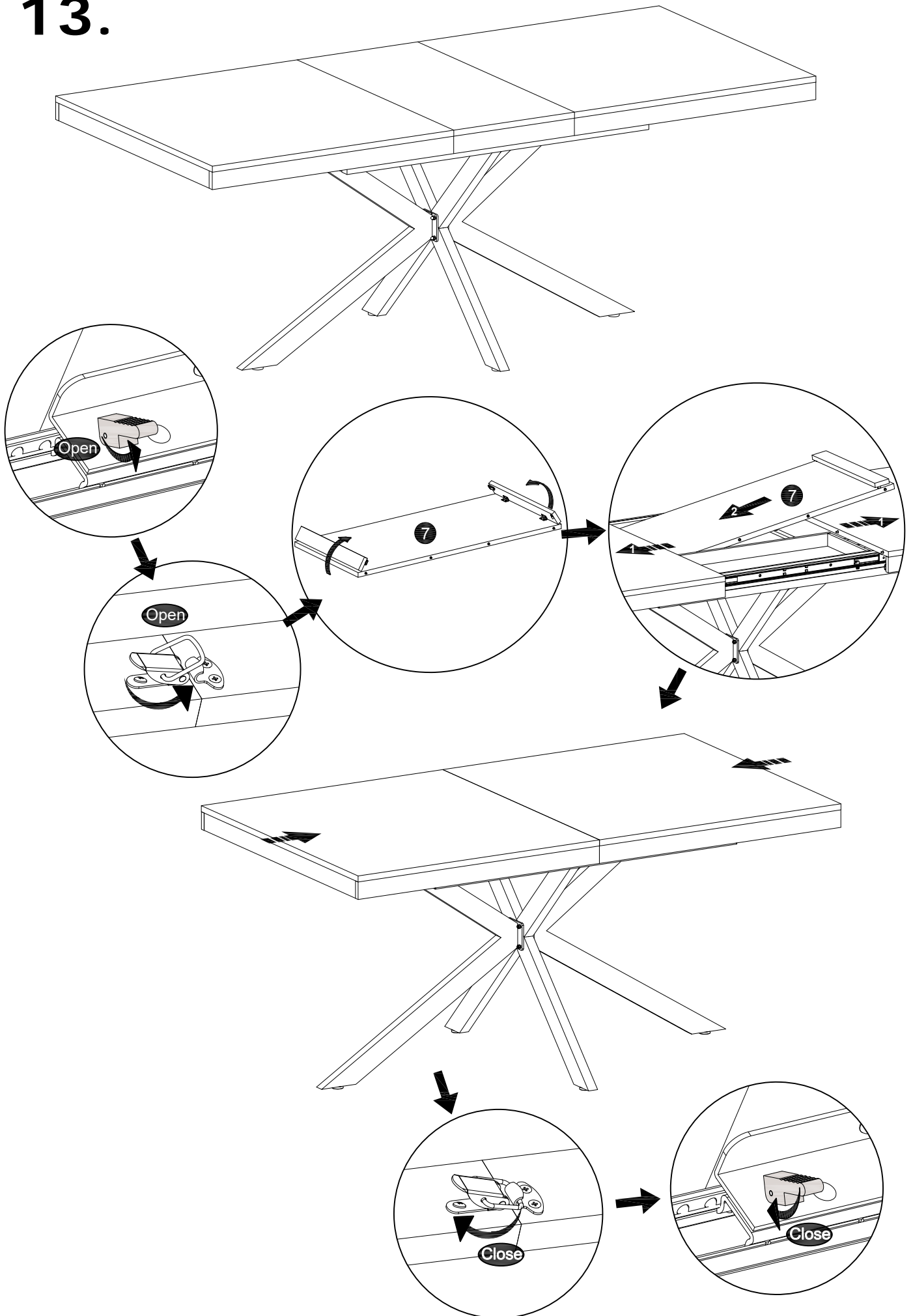
# 11.



# 12.



# 13.



14.

