












Assembly Instructions

Caution: You must read this before you proceed

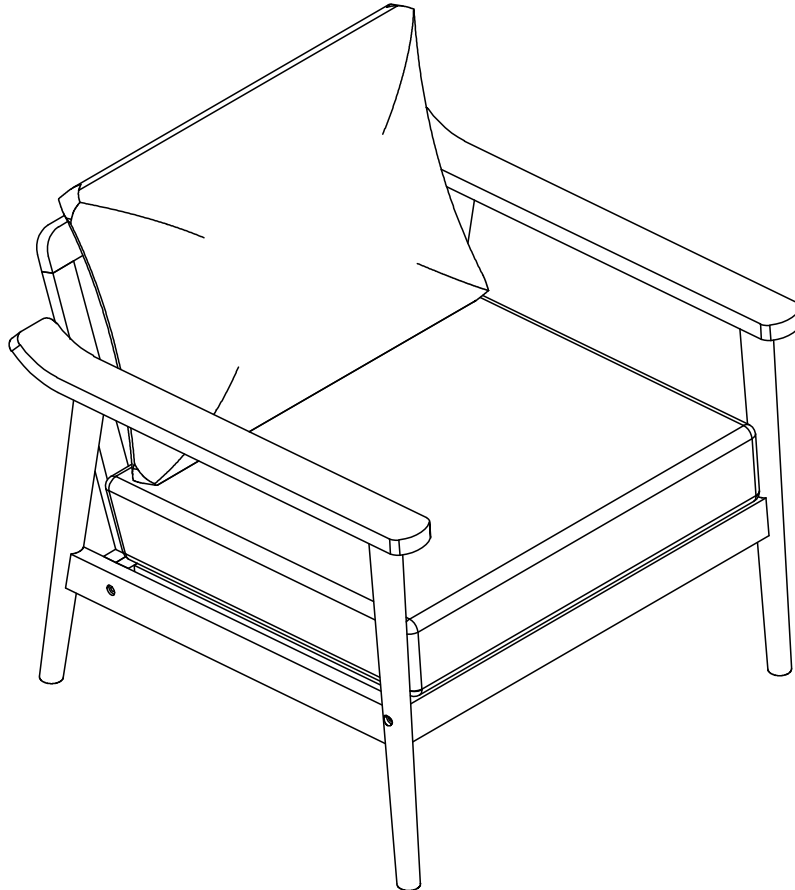
Care & Maintenance

-  Not for commercial use. For residential use only.
-  Prolonged exposure to rain may cause rusting which can stain floors.
-  Do not put hot items directly on furniture surface.
-  Do not clean furniture with harsh cleansers or polish
-  To obtain the longest lifespan of your outdoor products, minimizing exposure to direct sunlight is recommended.
-  Children should not climb or jump on the furniture.
-  Do not write on furniture without a padded barrier to protect the surface.
-  To obtain the longest lifespan of your outdoor products, avoid extended and lengthy exposure to rain, snow, and direct sunshine. Whenever possible cover the product and /or place under patio or awnings.
-  Stains may be removed with mild soap solution and damp cloth.
-  Keep away from sources of ignition.
-  Dust and pick-up spills using a clean, non-colored, lint-free cloth.

Caution: You must read this before you proceed

Please look underneath the Seat Panel for hardware packs

CLUB CHAIR

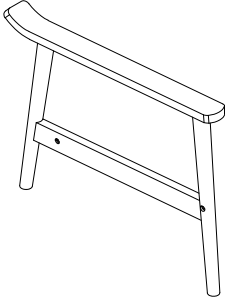
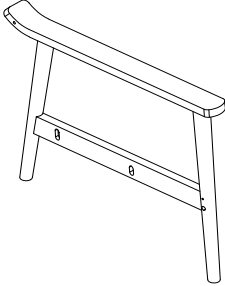
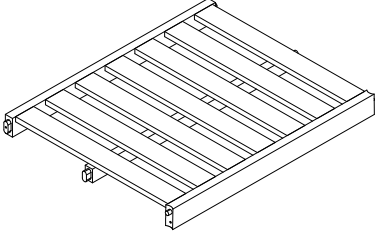
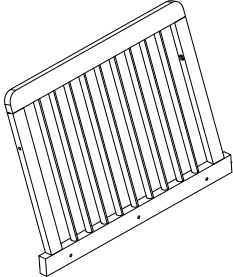
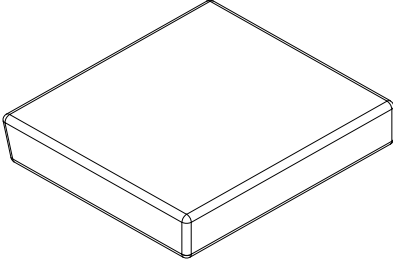
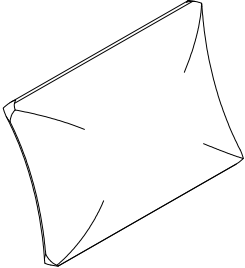


CAUTION: This Chair is NOT a TOY.

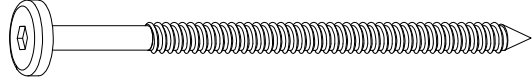
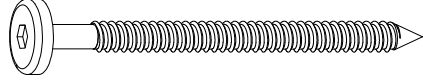
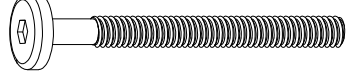
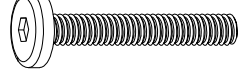

Keep your child / children at bay during the assembly process.

For turning the Chair and to prevent damage to the Chair, 02 persons may be needed to execute this action.

Parts List

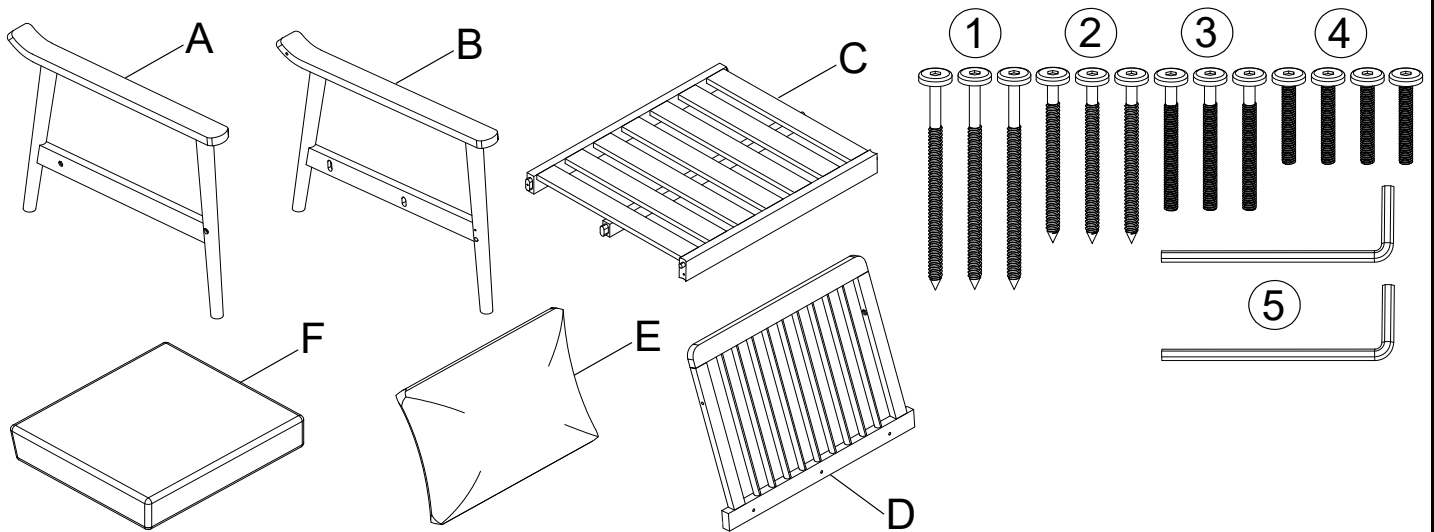
Label	Picture	Description	QTY
A		Left Leg Panel	1
B		Right Leg Panel	1
C		Seat Panel	1
D		Back Panel	1
E		Seat Cushion	1
F		Backrest Cushion	1

Hardware

Label	Picture	Description	QTY
①		Screws (M6x90 mm)	3
②		Screws (M6x70 mm)	3
③		Bolts (M6x55mm)	3
④		Bolts (M6x35mm)	4
⑤		Allen Wrench(M4)	2

Assembly Preparation

Before Beginning Assembly:



- Read instructions, cover to cover-



- Have 2 adults on hand for assembly-



- Do not assemble on flooring or carpet-



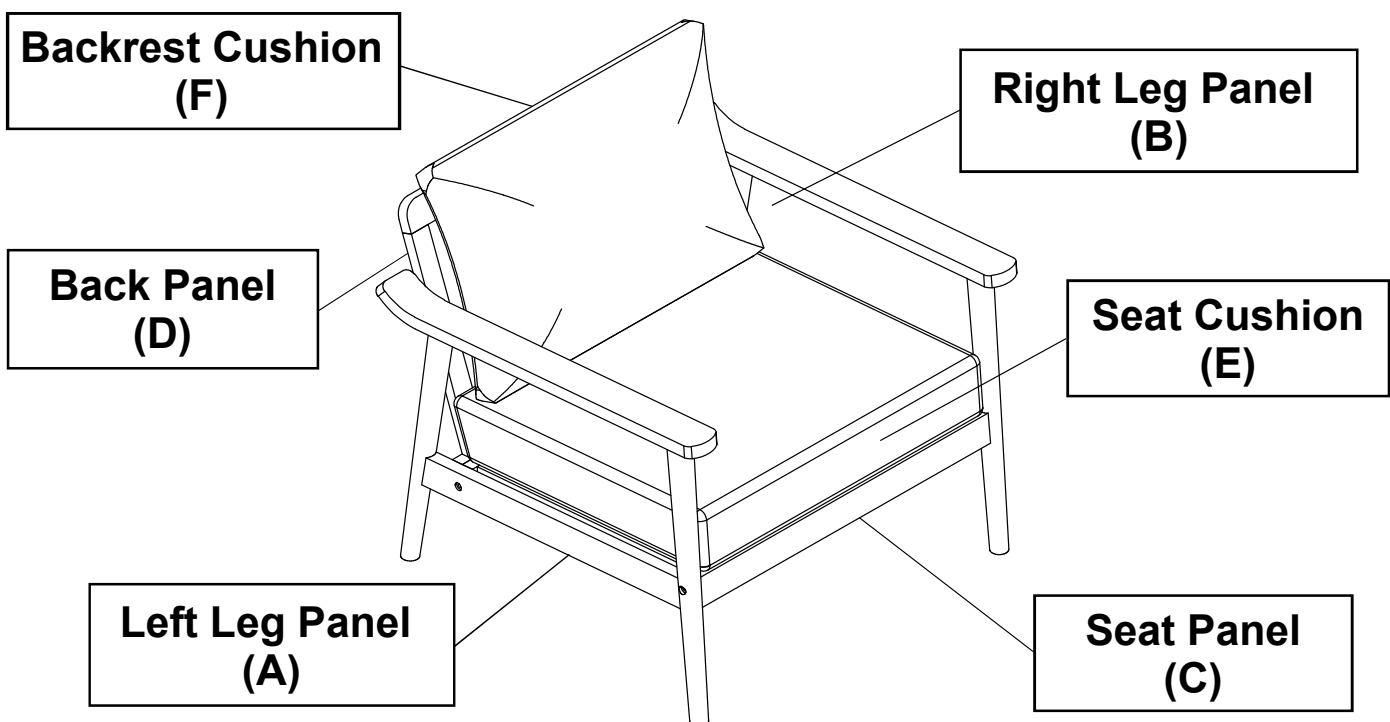
- Assemble on a clean non-marring surface (packing foam)-



- Save all packaging until finished-

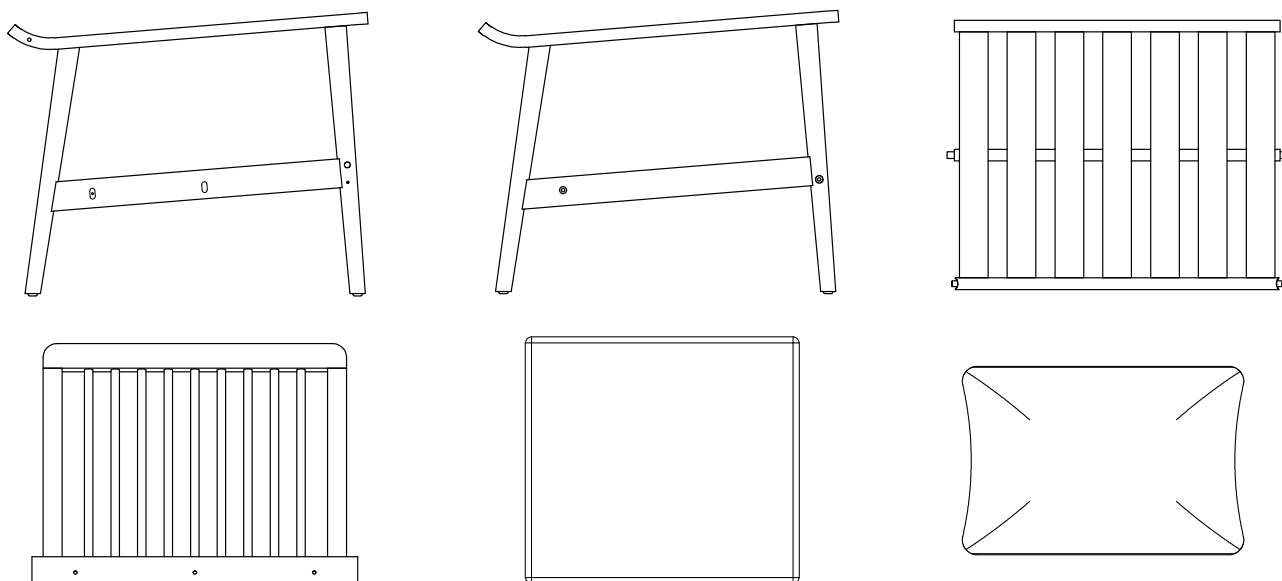
Assembly Steps

Overview



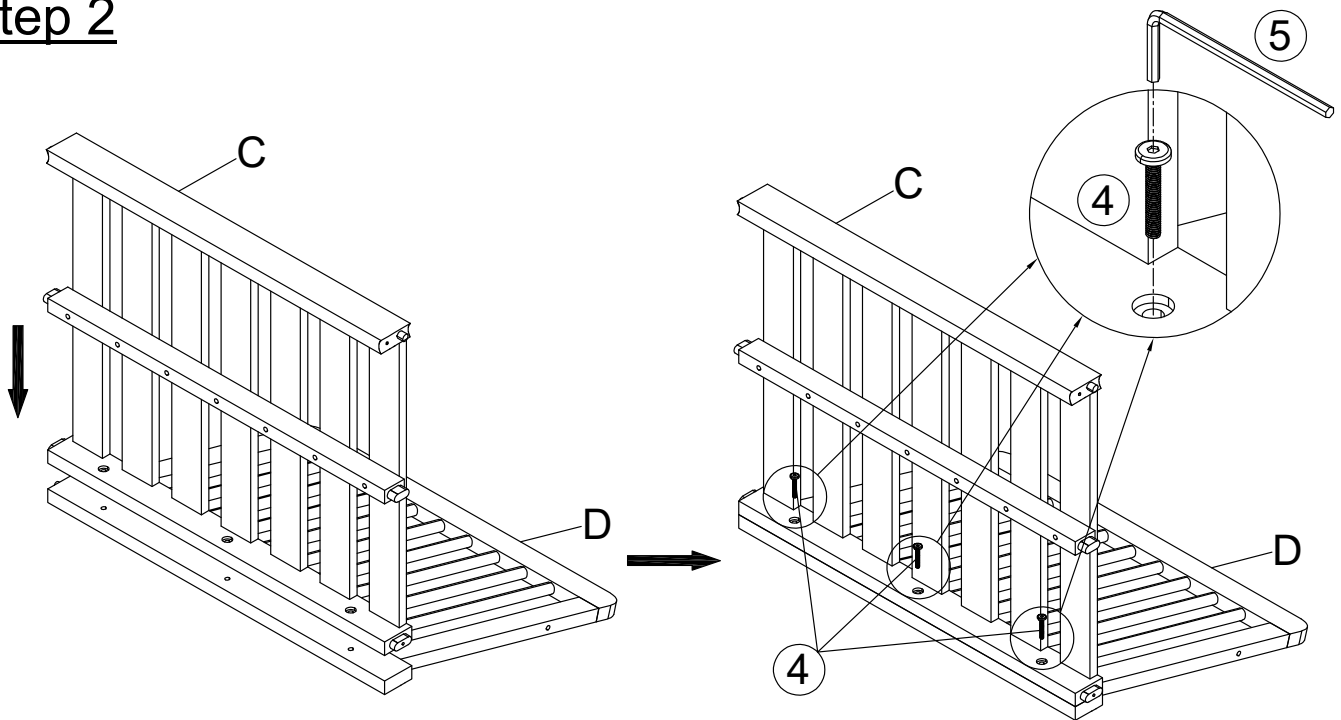
This Chair has multiple parts and may require up to 30 minutes to assemble. To give you an overview of the Chair, the above picture is to help you put the various parts into perspective. Please read through the instructions below to familiarise yourself with the parts and steps before assembly.

Step 1



Unpack and place all parts on a clean, non-marring surface.

Step 2

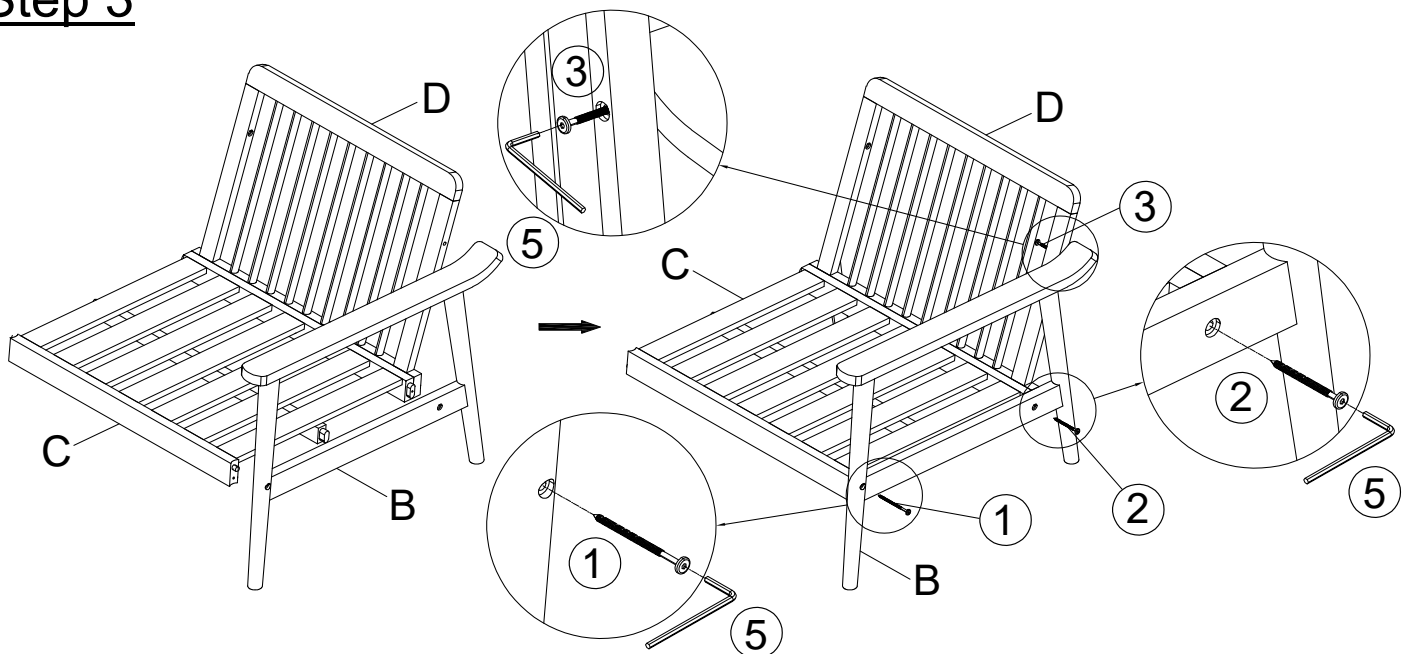


Position the Seat Panel (C) to the Back Panel (D) as shown in the above picture.

Attach the Seat Panel (C) to the Back Panel (D) using Bolt (4) and Allen Wrench (5).

Do not fully tighten the Bolts.

Step 3

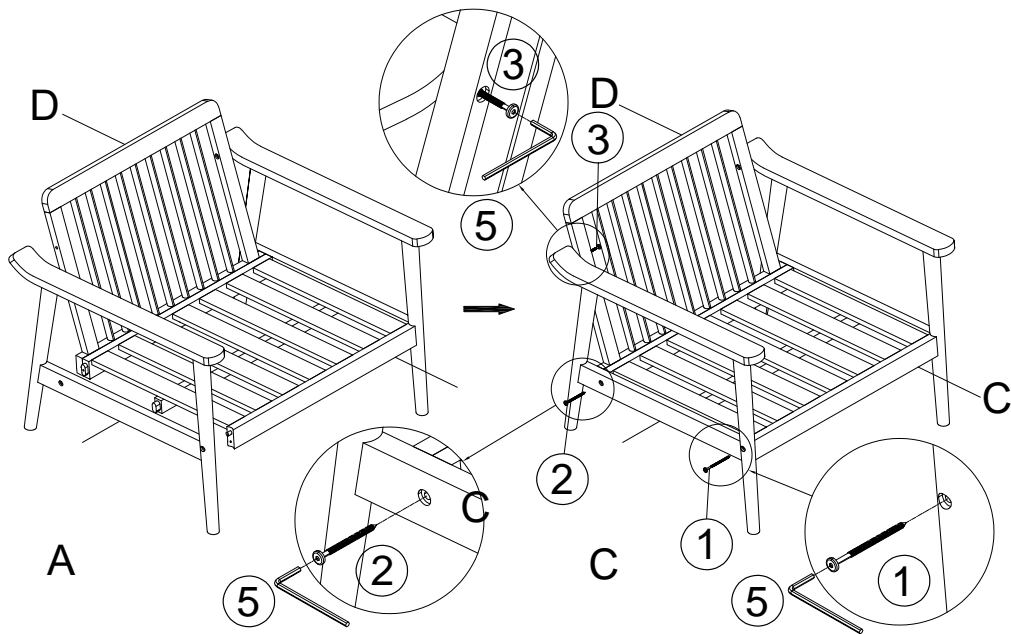


Position the Right Leg Panel (B) to the the assembled parts in step 2 as shown in the above picture.

Attach the Right Leg Panel (B) to the Seat Panel (C) and Back Panel (D) using Screw (1), Screw (2), Bolt (3) and Allen Wrench (5).

Tighten fully all the Screws and Bolts.

Step 4

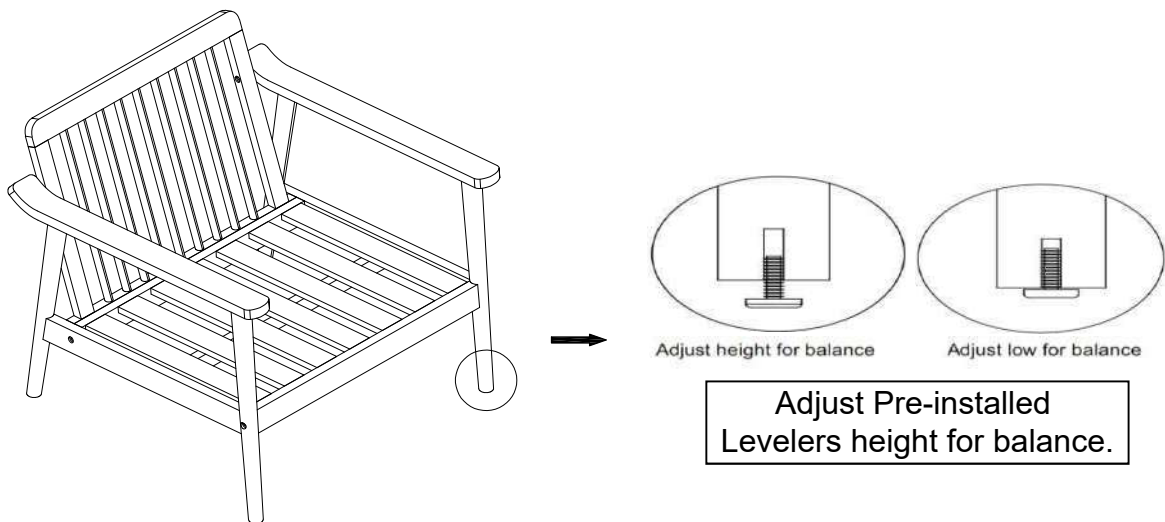


Position the Left Leg Panel (A) to the assembled parts in step 2 as shown in the above picture.

Attach the Left Leg Panel (A) to the Seat Panel (C) and Back Panel (D) using Screw (①), Screw (②), Bolt (③) and Allen Wrench (⑤).

Tighten fully all the Screws and Bolts.

Step 5



With the assistance from your adult partner, stand the Chair up

Inspect the Chair and make sure all parts are adequately connected.

Carefully sit onto the Chair. This pressure will help align all parts at all joints.

In a sequential manner, tighten all Bolts and Screws all joints.

Adjust the Levelers until the Chair is level with the ground.

To adjust the Levelers, get assistance from a adult partner to lift/lean and hold the Chair while you are working.

CAUTION: When tightening these screws and bolts, tighten sequentially.

DO NOT tighten any screw or bolt fully and then move towards the next one. This could cause the frame to warp.

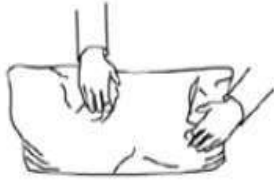
WARNING!! IF THE CHAIR IS NOT STABLE , IT COULD LEAD TO DAMAGING THE PRODUCT.

Step 6

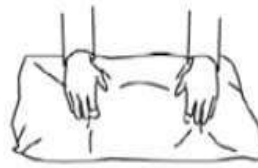
Your cushions come vacuum packed and sealed for shipping. To restore the cushion's original shape, follow the steps below.



Open the vacuum bag carefully



Press and tap with both hands from the side to fully inhale air.

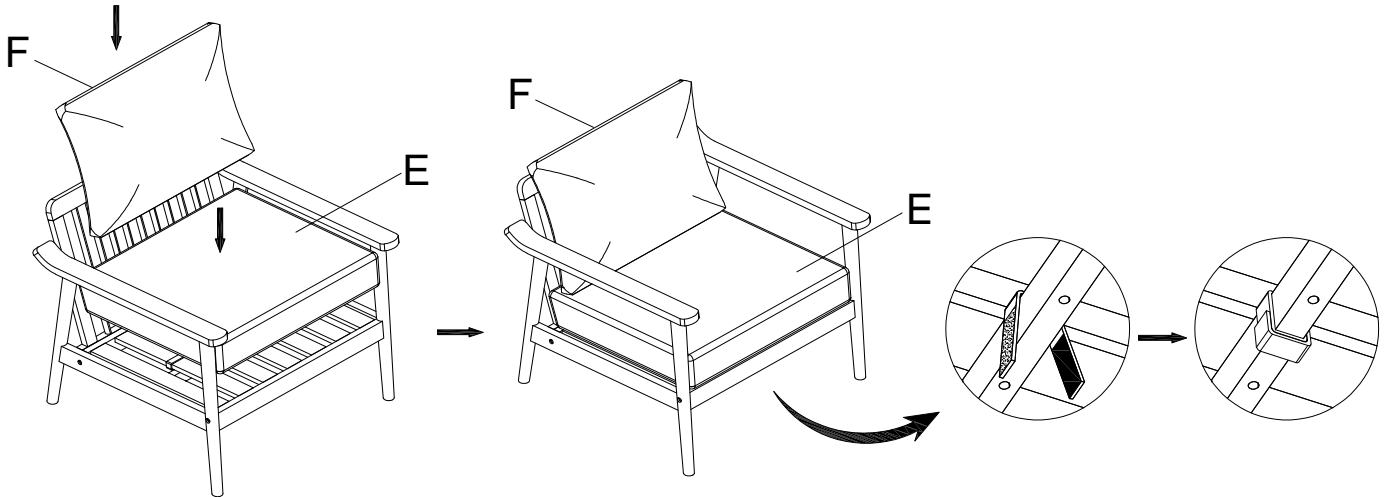


Press and tap with both hands from the front to fully inflate.



Carefully smooth out each section until the surface is even.

After unpacking, place them somewhere dry and ventilated. After about 72-96 hours, it can be restored to its best-use condition.



Place the Seat Cushion (E), then the Backrest Cushion (F) onto the Chair. Then affix the "magic tape straps" around the Chair as shown above. Your Chair is ready to be used.

This Chair can only be used on a flat, level surface