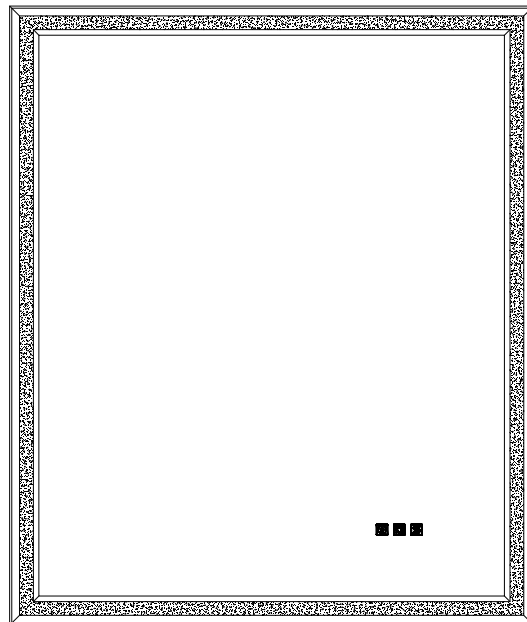
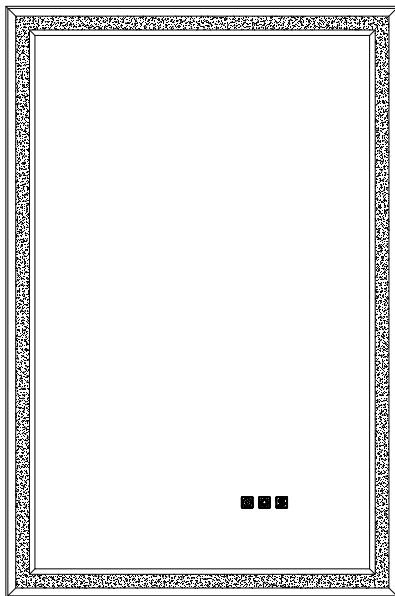


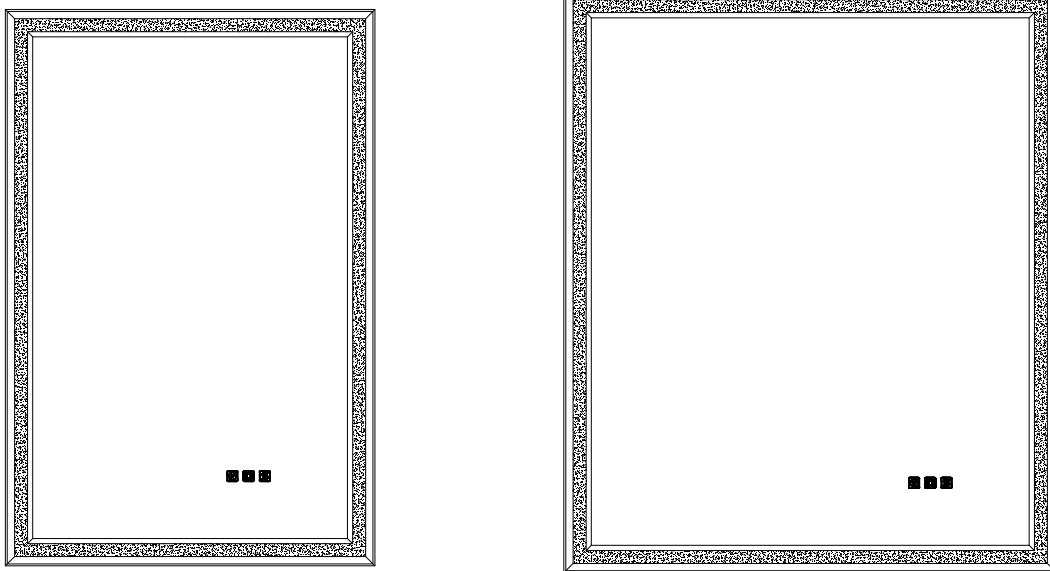
Serial Number:BMV20-11
R1.0

Installation and Operating Manual



**For Technical support or questions, please call
us at + 1 302 336 8180.**

Model Specification



- Aluminum Frame
- Color Temperature:3000-6000K
- Dimming
- Anti Fog
- Front lit
- Beveled Mirror

No.	Dimension	Color	Remark
1	22" × 34"	BRUSHED NICKEL/MATTE BLACK	
2	30" × 36"	BRUSHED NICKEL/MATTE BLACK	

Note

For easy and safe installation, please refer to the following:

Read all instructions thoroughly before installing the enclosed product. Read and take note of all **Safety Precautions**, care and maintenance information.

PLEASE KEEP THIS INSTRUCTION MANUAL FOR FUTURE REFERENCE DURING PRODUCT OPERATION AND MAINTENANCE.



WARNING AND SAFETY INSTRUCTIONS

Before installing your LED Mirror, please make sure that you carefully read through this instruction sheet, refer back to them during installation to ensure your product is fitted safely and correctly. Keep the instruction for future use.

WARNING Risk of Fire and Electric Shock

- All fittings must be installed in accordance with current IEE wiring regulations. If in doubt, please consult a qualified electrician.
- Turn breaker off the electrical supply at the main circuit board before installation and maintenance.
- Suitable for indoor use only. This product should be positioned well away from curtains and fabrics. Never cover the mirror.
- Regularly check any parts for damage, if any part is damaged the product should not be used.

INSTALLATION SAFETY

- Inspect the product immediately upon receipt for any possible damage during transportation or missing parts. Handle the product with care and protect against knocks to all sides and edges of the glass.
- Ensure there are no hidden pipes or cables in the wall before drilling and sawing.
- Wear suitable safety glasses when drilling. Take care if drilling on tiled surfaces in case the drill slips.

CAUTION

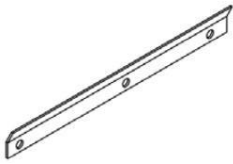
The light source of this product is non-changeable light diodes (LED). **Do not disassemble the product**, as the light diodes can cause damage to the eyes.

NOTE: The important safeguards and instructions that appear in this manual are not meant to cover all possible conditions and situations that may occur. It must be understood that common sense, caution and care are factors that can't be built into any product. These factors must be supplied by the person(s) caring for and operating the fixture. Do not install this fixture in hazardous locations.

PARTS SUPPLIED

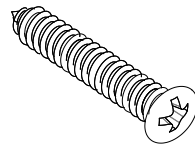
Z- Mounting Bar

× 1



Anchor Screws

× 5~10



Anchors

× 5~10



Instruction

× 1

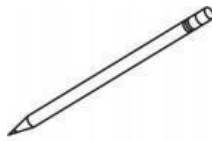


TOOLS REQUIRED

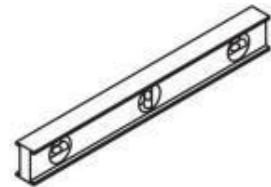
Drill



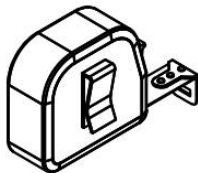
Pencil



Level



Tape



Gloves



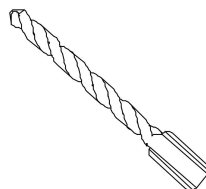
Safety Glasses



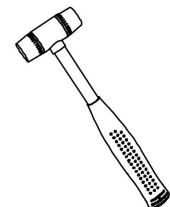
**Phillip
Screw Driver**



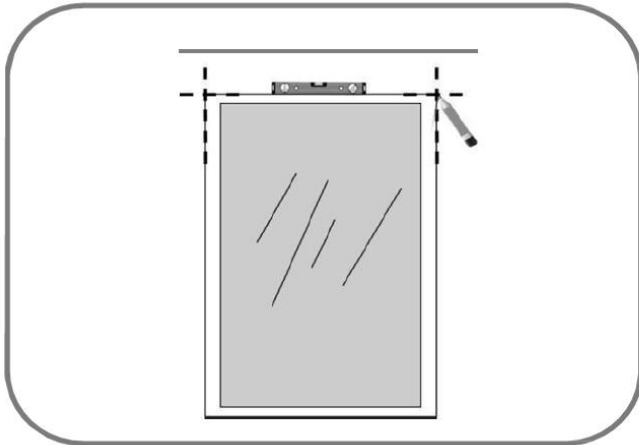
**Drill Bit
8mm(5/16")**



Hammer

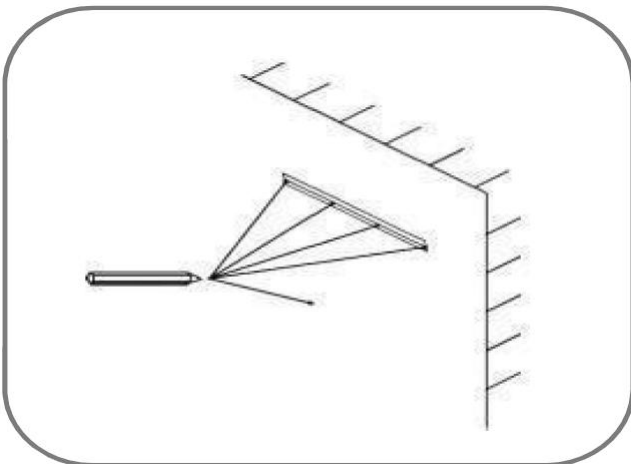


Installation Instruction



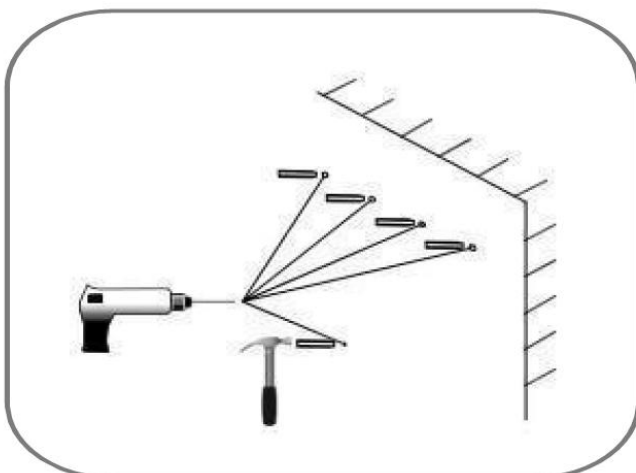
1

Level and mark the location. Install z-bar on two studs which are behind the drywall.



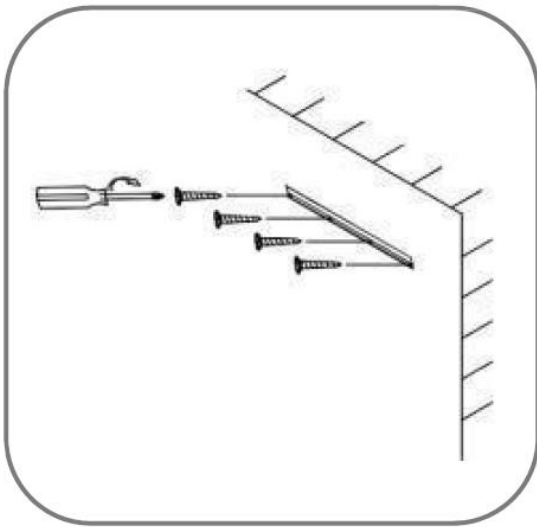
2

Place the mounting bar against the wall keeping it leveled and mark the holes locations.



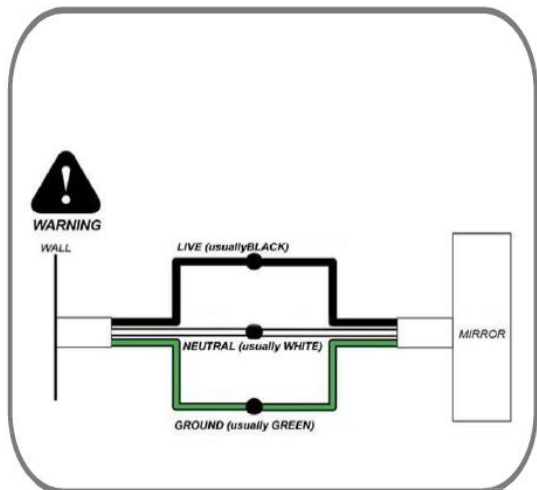
3

Drill holes and insert the plastic anchors provided.



4

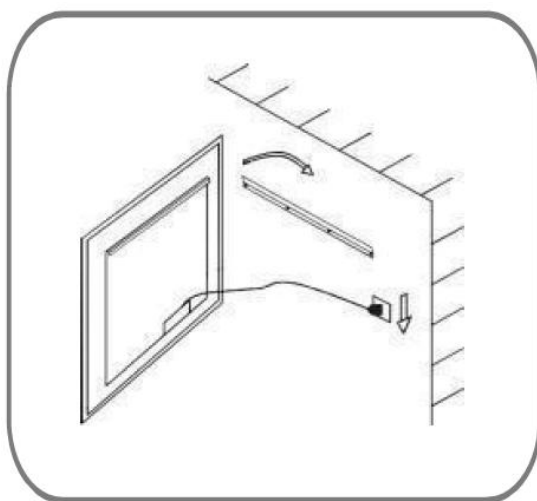
Install the mounting bar onto the wall with the screws.



5

Connect the mirror with the main supply.

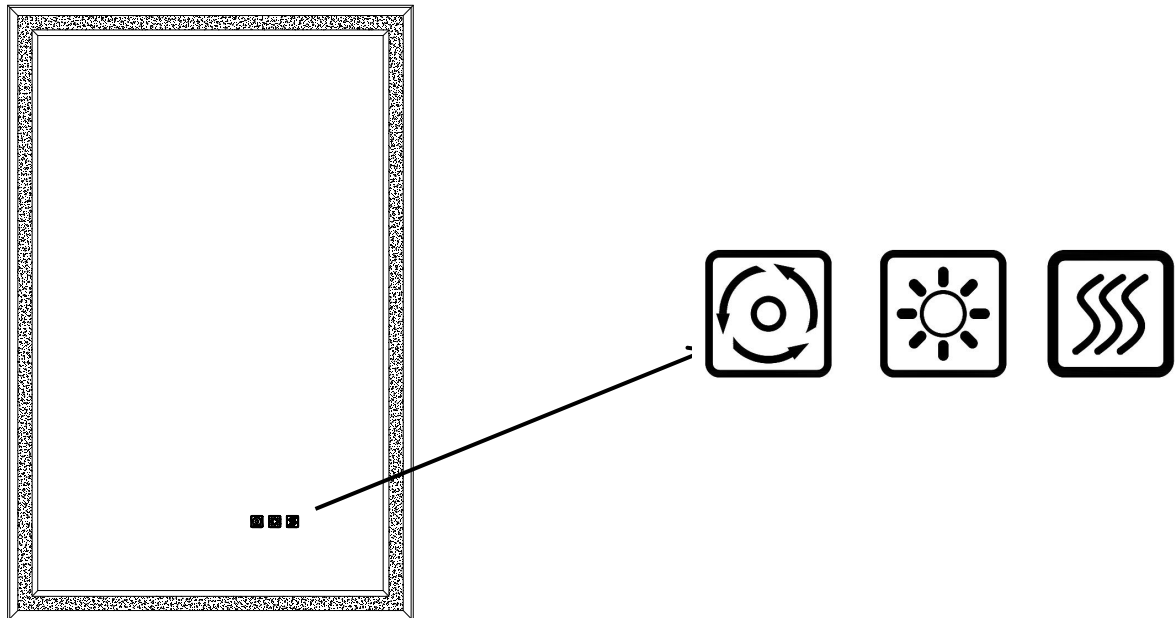
ATTENTION:
PLEASE CUT OFF THE MAIN POWER SUPPLY BEFORE WIRING!



6

Hang the mirror onto the mounting bar.

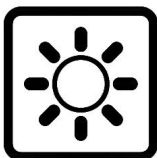
Operating Manual



The buttons turn blue when connected to the main power supply and turn white after a brief touch.



- Briefly touch the button to turn the mirror on or off.
- Press and hold the button to change the color temperature when the mirror is on.
- Optional: It can be wired to wall switch by ON/OFF memory function.



- Briefly touch the button to turn the mirror on or off.
- Press and hold the button to adjust the brightness.
- Release the button when the brightness reaches your desired level



- The mirror begins to warm up and defog after you press the defogger button.
- Press the button again to turn off the anti-fog function.
- **Press and hold the button to turn the blue backlight on or off.**
- Note: To prevent damage from prolonged high temperatures, the defogger will automatically stop after 60 minutes of continuous operation.