

HUGO & BORG PRO  
ALL-PLYWOOD CONSTRUCTION



# CABINET INSTALLATION GUIDE



## IMPORTANT NOTICE!

FOR YOUR SAFETY AND THE LONGEVITY OF YOUR NEW HUGO&BORG PRO CABINETS, PLEASE FOLLOW THE INSTRUCTIONS BELOW:

CABINETS SHOULD ALWAYS BE MOVED BY TWO PEOPLE.

REMOVE ALL DOORS, DRAWERS AND ADJUSTABLE SHELVES PRIOR TO MOVING ANY CABINET.

CABINETS NEED TO BE COMPLETELY INSTALLED TO THE WOOD STUDS BEFORE PUTTING ANY ITEMS INSIDE THE CABINETS.

# TABLE OF CONTENTS

1. SAFETY AND LIABILITY .....	3
2. LIMITED LIFETIME WARRANTY .....	4
3. TOOLS AND SUPPLIES .....	4
4. INSTALLATION PROCESS .....	4
4.1 Getting started .....	5
4.2 Fillers .....	10
4.3 General installation information.....	10
4.4 Appliances .....	11

## 1. SAFETY AND LIABILITY

---

The decision has been made to install the cabinets and accessories yourself. This installation guide is meant to assist you in the general installation process. The installation of cabinetry can be a challenging task and we do recommend that you use a qualified cabinet installer. However you may have the skill set to complete the installation on your own. Hugo&Borg PRO has no control over the installation, so you are responsible and liable for completing the installation correctly and safely.

### SAFETY AND LIABILITY DISCLAIMER:

- ✓ Please note that the following instructions are only a guide to cabinet installation. Hugo&Borg PRO will not be liable for any damage to cabinets, cabinet hardware, flooring, walls, etc., due to improper installation or mishandling of cabinets.
- ✓ To reduce the risk of serious or fatal injury, read and understand this installation guide before commencing with the installation.
- ✓ This Hugo&Borg PRO installation guide is not intended to cover every possible contingency that might be encountered during installation or to endorse the use of any particular tool.
- ✓ Hugo&Borg PRO hereby expressly disclaims all warranties and all liability for any claim for injury or death related to or based upon the use of this installation guide.
- ✓ A qualified service professional should be used for any electrical or gas line work.
- ✓ All gas, electrical and water connections must be shut off in any work area.

### ITEMS THAT YOU SHOULD CONSIDER:

- ✓ Do you have experience with carpentry and cutting miters?
- ✓ Required tools: for a quality installation you will require several tools. They can be expensive and require experience to operate in a safe and efficient manner.
- ✓ Condition of the site: floors are level, and walls are square and level.
- ✓ Basic plumbing and electrical skills may also be required.
- ✓ It is recommended that there are two people to install the cabinets.

## 2. LIMITED LIFETIME WARRANTY

### WHAT IS COVERED:

Hugo&Borg Pro warrants its parts and products to be free of substantial defects in materials and workmanship from the original date of purchase under normal home use. This warranty is offered only to the original consumer purchaser and may not be transferred.

### WHAT IS NOT COVERED:

This warranty does not cover any problems or damages which result from improper transportation, improper installation, mishandling, misuse, abuse, neglect, abnormal use, commercial use, improper maintenance, non-authorized repairs, accidents or acts of God such as hurricanes, fires, earthquakes or floods. This warranty and any applicable implied warranties do not cover incidental or consequential damages arising from any defects in the product, such as labor charges for installation or removal of the product or any associated products. This warranty does not cover defects or damage caused by normal wear and tear, alterations, environmental conditions, humidity absorption or mold. In addition, variations in wood grain, finish color, aging, or other natural wood and stain characteristics are not considered defects and are not covered by this warranty. Some states do not allow the exclusion or limitation of incidental or consequential damages, so the above limitation or exclusion may not apply to you. For more details, please visit [www.hugoandborg.com](http://www.hugoandborg.com).

## 3. TOOLS AND SUPPLIES

The following may or may not be required depending on the complexity of your installation:

- UL approved safety goggles, steel-toe shoes and earplugs.
- Table saw, miter saw and jig saw.
- Drill and bits, compressor, pin nailer and nails.

## 4. INSTALLATION PROCESS

UNDERSTANDING OUR CABINET CODES - EXAMPLES:

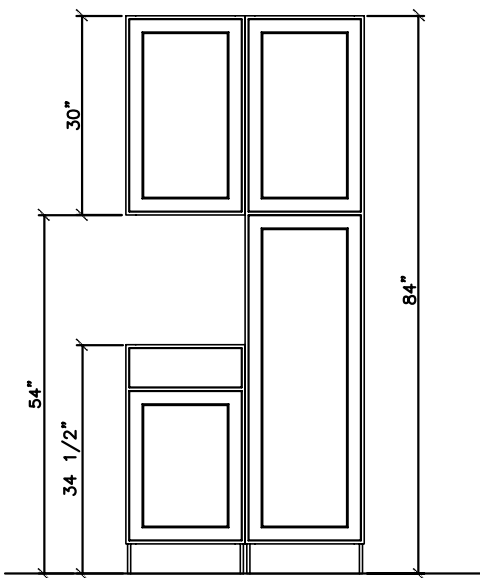
CODE	DESCRIPTION
W1830	Wall cabinet 18" wide and 30" high. Hinging can be left or right.
WA2430	Wall diagonal corner cabinet 24" wide x 30" high. Hinging can be left or right.
B30	Base cabinet, 30" wide and 34 1/2" high.
U1884	Pantry cabinet 18" wide x 24" deep x 84" high. Hinging can be left or right.

All measurements will be referred to in imperial.

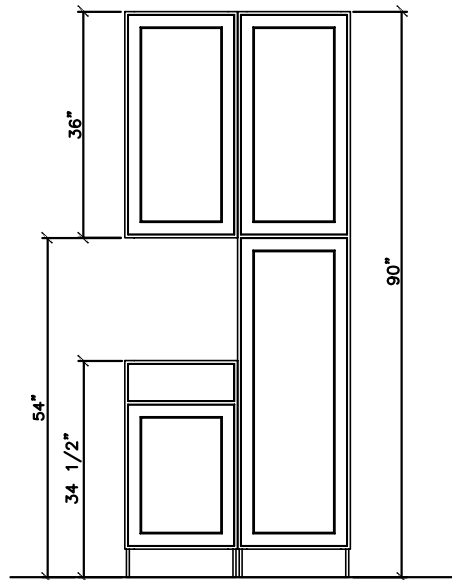
## 4.1 GETTING STARTED

- Check to make sure the cabinets and accessories that you have received are what you ordered. If anything is not on site, then do not start your project until you have everything required.
- Double-check that you have all the required tools.
- Appliances should be moved to another room for easier maneuvering in the work area.
- Walls should be finished with the first coat of paint applied.
- Final flooring should be installed including the areas that will have cabinets.

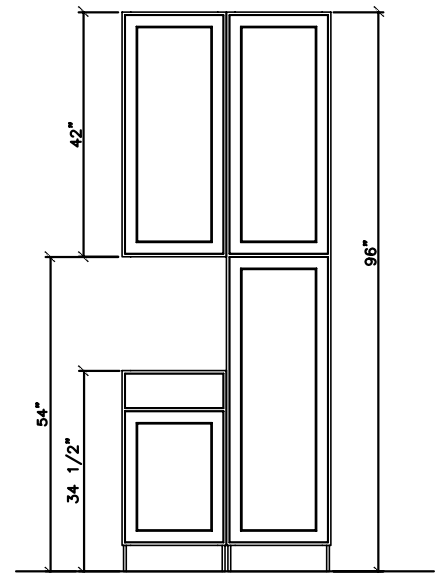
**84" tall cabinet with  
30" high wall cabinet**



**90" tall cabinet with  
36" high wall cabinet**

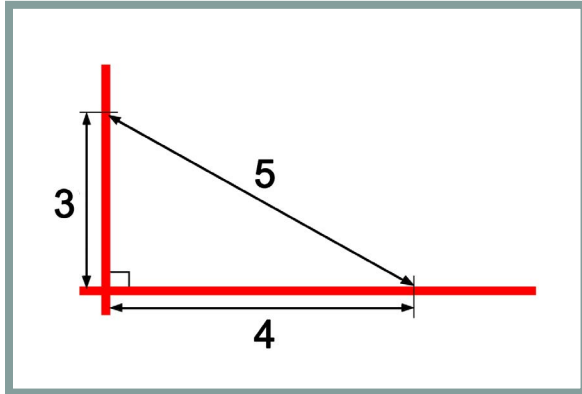


**96" tall cabinet with  
42" high wall cabinet**

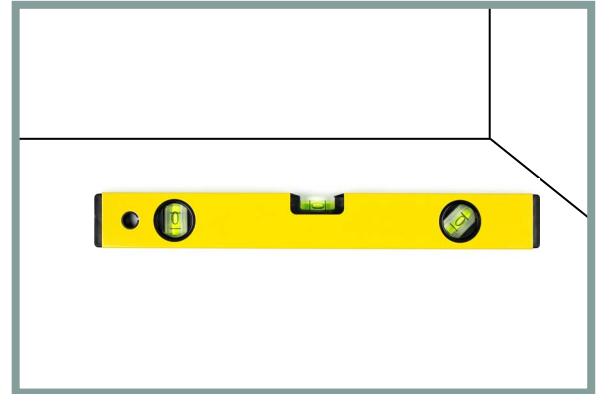


## All dimensions are taken with the finished floor installed

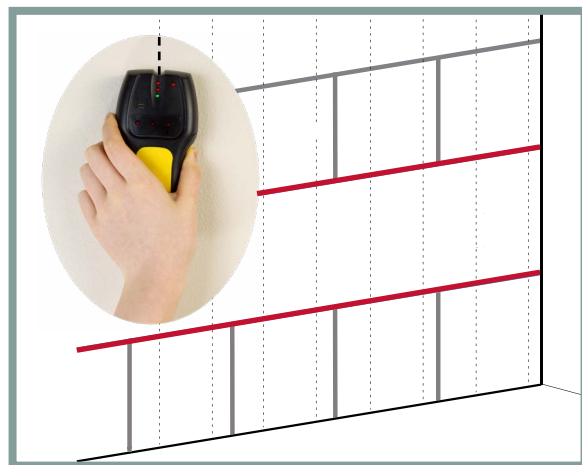
Follow the next steps for the correct installation of your cabinets.



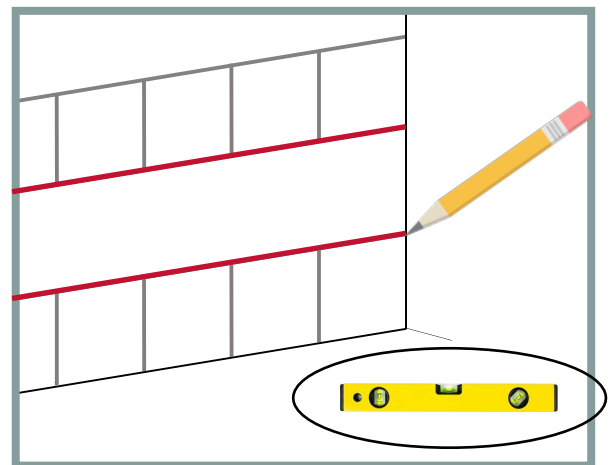
1. Verify that walls are square and level. Walls that are not square or level will make installation more difficult. You can use the 3, 4, 5 method shown to check your corner.



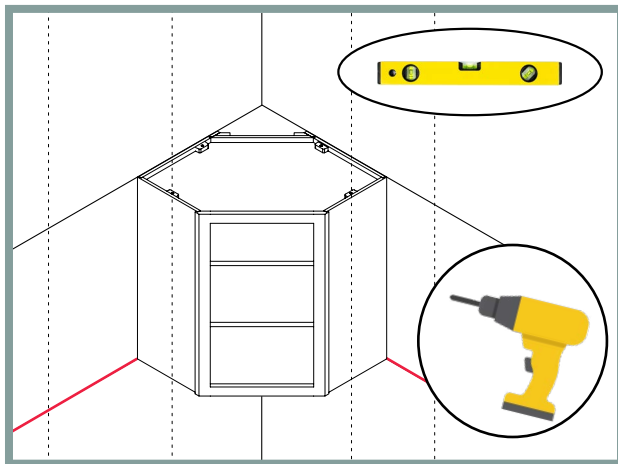
2. Before beginning installation, you must first find the highest point of your floor by checking it with a level.



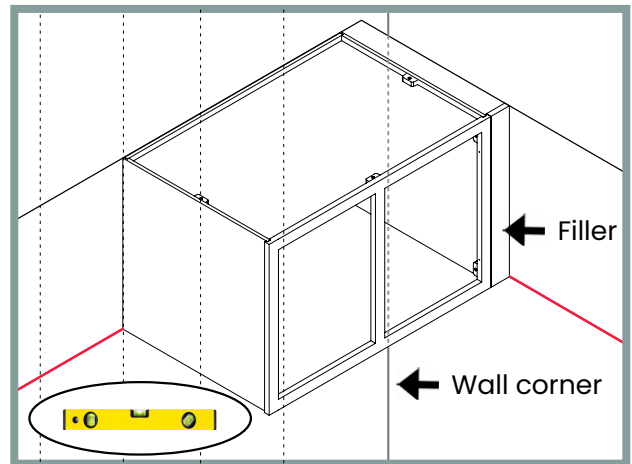
3. Use a stud finder to mark all the studs that will be used to install your cabinets.



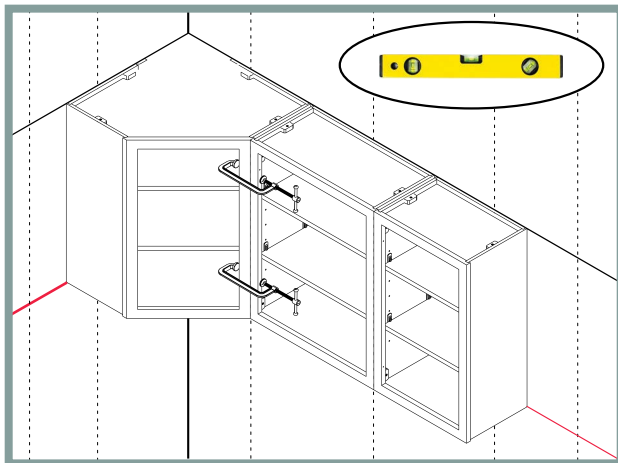
4. Draw a level line at  $34\frac{1}{2}$ " from the highest point of your floor and another level line at 54" from the same point. Install the top of the base cabinets level with the  $34\frac{1}{2}$ " line by using shims to level the cabinets. Install the bottom of the wall cabinets level with the 54" inch line.



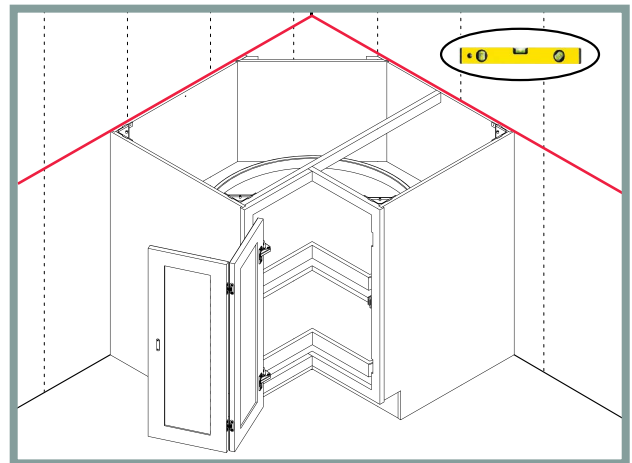
5. Starting with the corner wall cabinet, install (x4) 2 1/2" cabinet screws through the fastening strips on the cabinet into the wall studs. Be sure to check for level before fastening the cabinet into place.



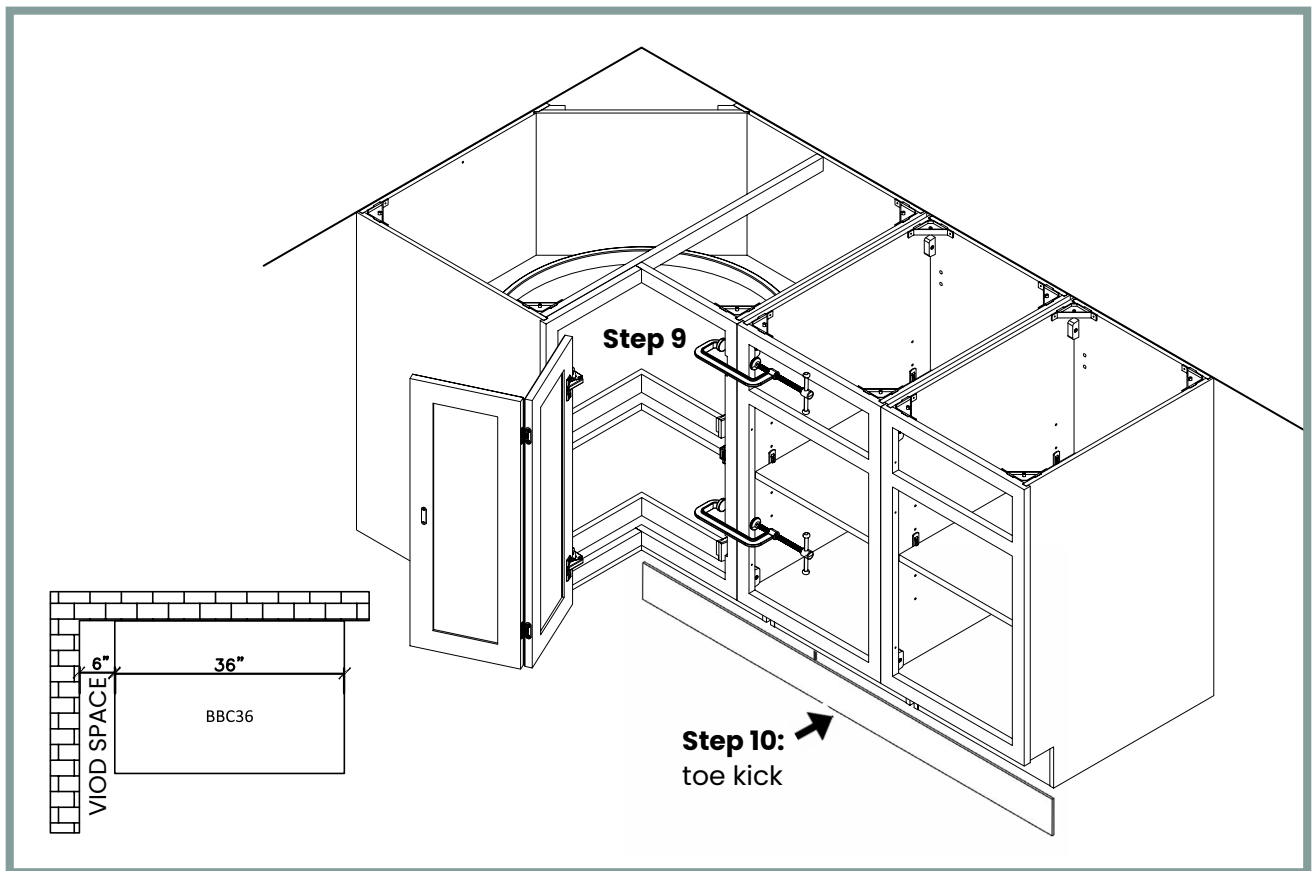
6. If you do not have a corner, start with the end closest to a wall, making sure to leave room for the required filler, as per your plan.



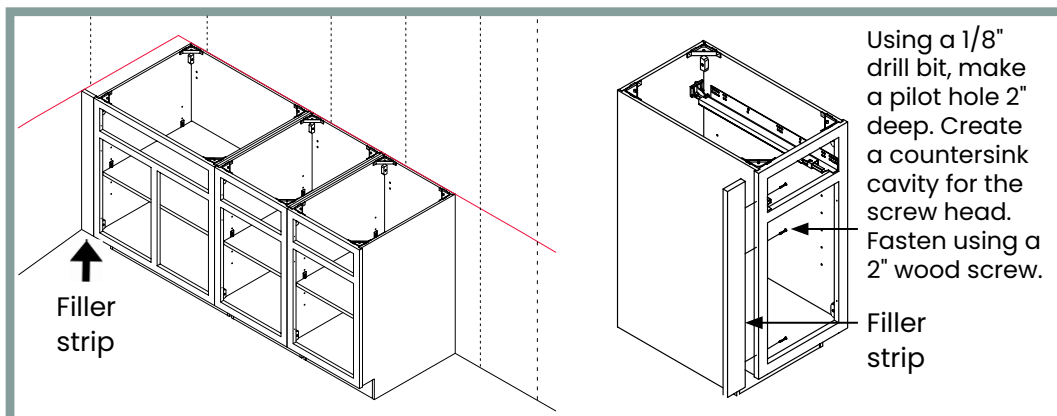
7. Set the next cabinet tight to the first cabinet and use clamps to hold in place while you level it and make sure that the front edges are flush. Attach the cabinet to the wall with 2 1/2" screws into the studs. To attach the two cabinets together, use a 1/8" drill bit to make a pilot hole. Mark drill bit with tape or set drill depth gauge at 2 1/2". Create a countersink cavity for the screw head. Use 2 1/2" screws to complete the connection. Remove the clamps. Continue with the same process for all uppers.



8. Always start with the corner base cabinet making sure it is level. Install 2 1/2" screws through the top fastening strip into the studs that were previously marked.



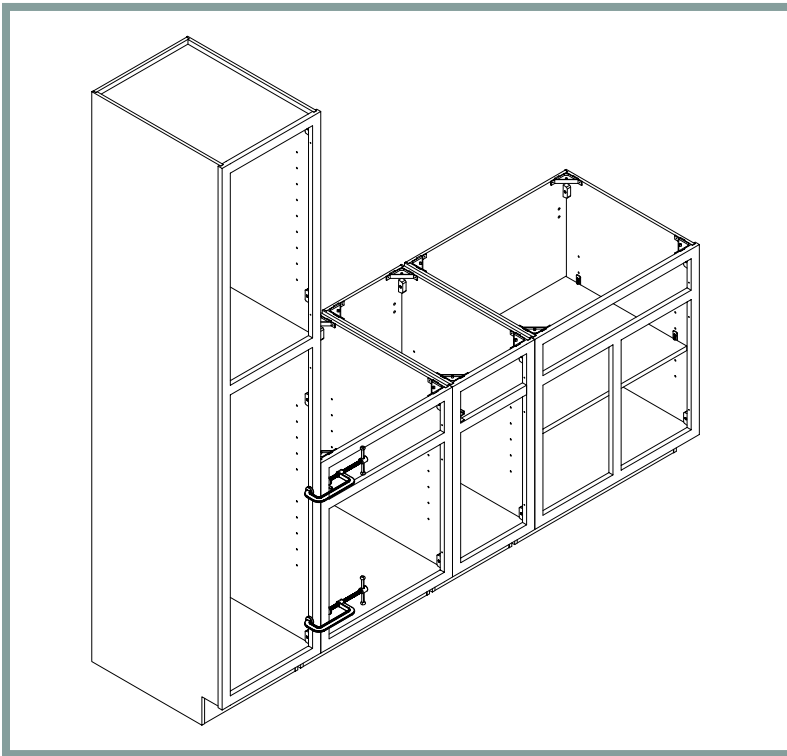
9. Set the next cabinet tight to the first cabinet and use clamps to hold it place while you level it and make sure that the front edges are flush. Attach the two cabinets together using 2 1/2" screws. Attach the cabinet to the wall with 2 1/2" screws into the studs. Continue with the same process for all base cabinets. After inserting the screws remove the clamps.
10. Measure the length of the toe kick area and cut the toe kick cover to the length. Clean the area of any debris. Apply glue to the back of the toe kick cover and place onto the toe kick area. Use small finishing nails to tack the toe kick cover in place.



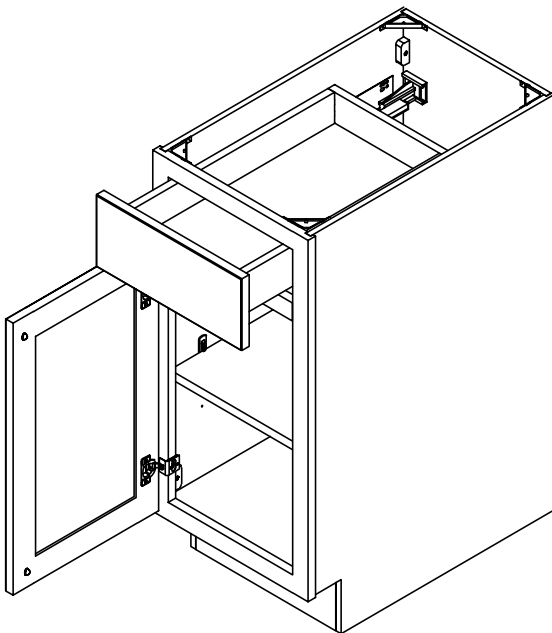
**NOTE:** for designs without a corner cabinet, start with the first cabinet, leaving space for a filler strip, as per your plan.

Then proceed with steps 9 and 10.





11. When installing tall cabinets, make sure they are level and plumb. Attach to studs, using 2 1/2" screws into all studs at the top, middle and bottom, screwing through the hanging rails. If the tall cabinet is against other cabinets, use your clamps to hold in place and make sure the front edges are flush. To attach the two cabinets together, use a 1/8" drill bit to make a pilot hole. Mark drill bit with tape or set drill depth gauge at 2 1/2". Create a countersink cavity for the screw head. Use 2 1/2" screws to complete the connection. Remove the clamps. Continue with the same process for any other tall cabinets.

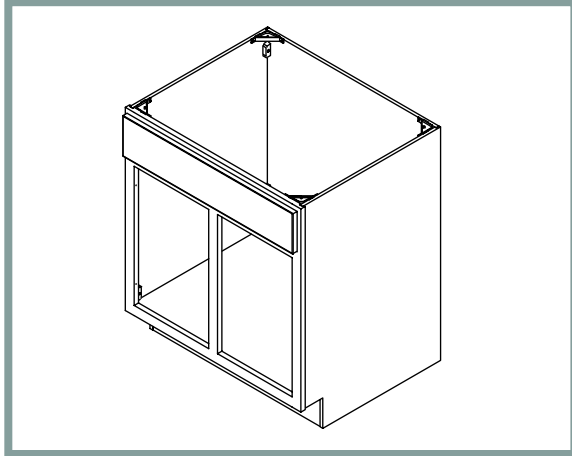


## Important for all Hugo&Borg PRO cabinets:

Weight capacity for pullouts and drawers is 88 lbs. Weight capacity for lazy Susan is 90 lbs. Shelves are rated for 15 lbs. per square foot.

**For safety and warranty purposes these weight capacities must never be exceeded.**

## Sink/Cooktop Installation



Transfer the location of the supply and drain lines to the back or bottom of the cabinet.

A top-mount sink or cooktop should be dropped into place, resting on the countertop.

An undermount sink should be glued and clamped to secure into place with clips for undermount sinks. Please speak with your local Lowe's store associate for purchasing the correct clips for your project.

## 4.2 FILLERS

A filler is always required against a wall. To cut your filler, measure from the cabinet to the wall and cut the filler accordingly. Hold the filler in place; turn it over and on the back side make a pencil mark at the top and bottom where it should be cut. To prevent chipping when cutting fillers, place masking tape over the surface that is being cut. Join the two marks with a pencil line and saw along that line. Put the filler in place and drill a pilot hole at hinge-level through the cabinet and into the filler. Attach the filler to the adjacent cabinet by fastening together with wood screws.

## 4.3 GENERAL INSTALLATION INFORMATION

- ◇ The front edge of a fridge gable should be flush with the front of the cabinet doors.
- ◇ Install all cabinets level and plumb.
- ◇ Install bumpers on all door and drawer fronts, especially corner cabinets.
- ◇ All cut-outs for piping should be as close to pipes as possible with a clean cut-out edge.

### Fridge and Dishwasher Panels/Gables

- ◇ Fridge panels are fastened to the upper cabinet from the inside of the cabinet. The panel is to be level and plum with the cabinet. Make sure to add the filler if specified.
- ◇ Where applicable, raise panels to allow for installation of hardwood flooring (typically 13/16" above sub-floor). Be aware of its construction: 3/4" hardwood, engineered hardwood, laminate, tile or linoleum flooring have various requirements. The bottom is to be attached to the finished floor with silicone or an L-bracket.
- ◇ Dishwasher panels: measure 24 1/8" over from the cabinet at the front and the back and draw a line on the floor. Draw a plumb line on the wall from the floor to the base cabinet line. These lines mark the position of the inside of the dishwasher gable. Install a ledger board 24 1/8" long below the base cabinet guideline. The panel is then installed by attaching it to the ledger strip, floor and countertop with metal L-brackets.

## 4.4 APPLIANCES

---

Today's appliances are available in all shapes and sizes. Because of this, you must confirm opening sizes against the spec sheet provided with your paperwork, as well as the manufacturer's specifications.

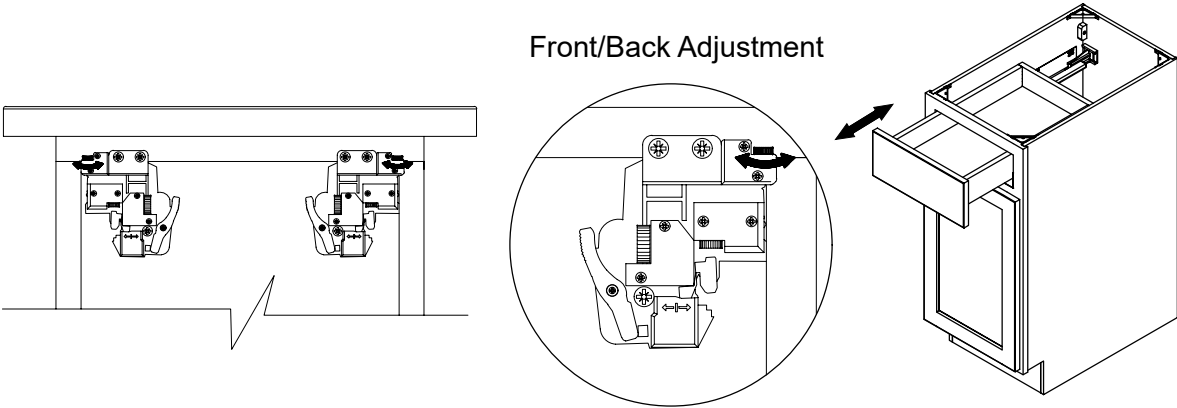
- ◇ Standard dishwasher openings are to be 24" wide (unless otherwise specified).
- ◇ Standard fridge openings are to be 36" wide x 72" high (unless otherwise specified).
- ◇ Standard range openings are to be 30" wide between base cabinets (unless otherwise specified).
- ◇ Slide-in ranges: the opening and finished counter height is crucial when dealing with slide-in ranges. The type of flooring and countertop thickness has to be taken into account. Fillers or scribe on each side may be required to make sure drawers and doors clear the range. If base cabinets are set too low or high the range will not sit flush with the countertop. The countertop top should be 36" unless otherwise noted.

**Note:** Never attempt to move an appliance on finished flooring. Do not connect or disconnect any appliance that is hard-wired or connected to a water source. Always ask for help before attempting to move an appliance, as appliances are often heavy and there is a high risk of personal injury or property damage if not properly handled.

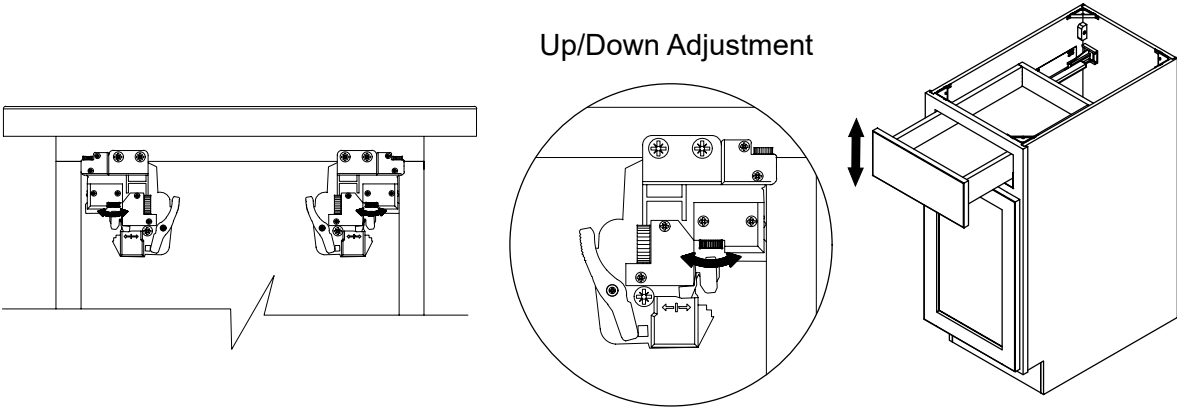
## DRAWER FRONT ADJUSTMENT

If you need to adjust your drawer front/back, up/down or left/right, please follow the below instructions..

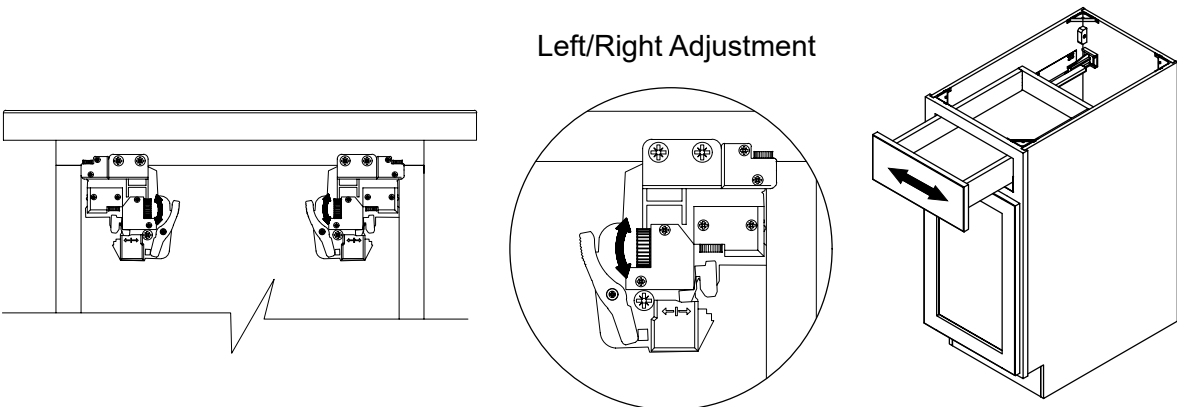
Front/Back Adjustment



Up/Down Adjustment

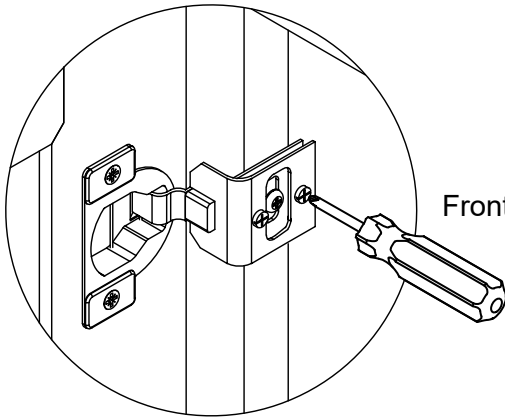


Left/Right Adjustment

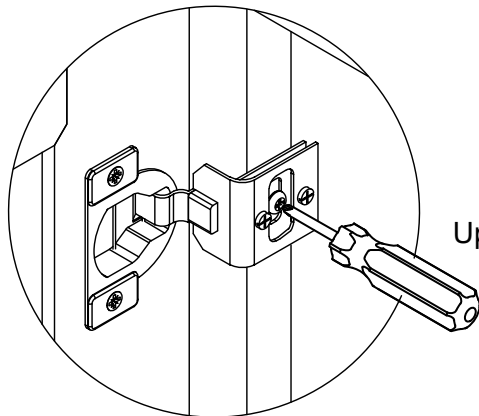
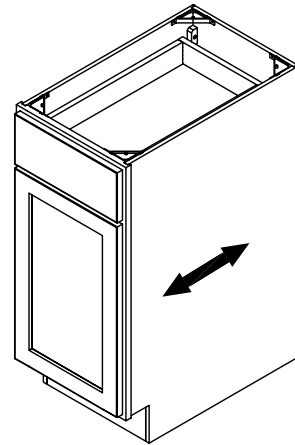


## DOOR ADJUSTMENT

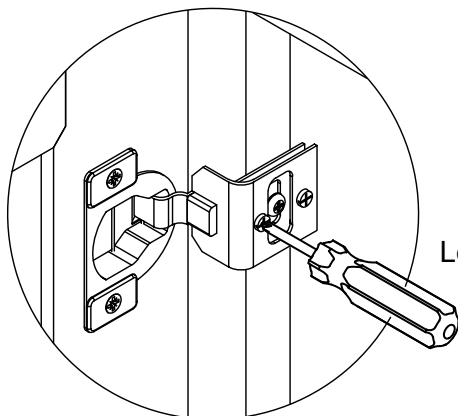
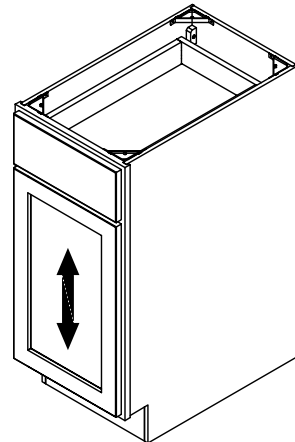
If you need to adjust your door front/back, up/down or left/right, please follow the below instructions.



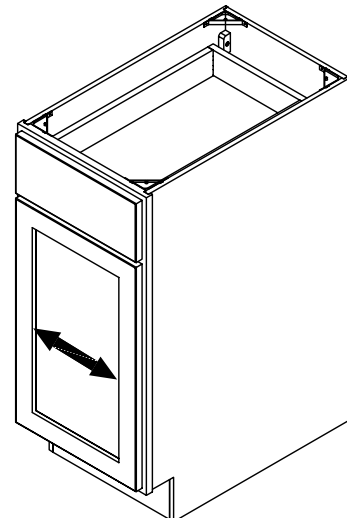
Front/Back Adjustment



Up/Down Adjustment



Left/Right Adjustment



HUGO & BORG PRO

ALL-PLYWOOD CONSTRUCTION

# CABINET INSTALLATION GUIDE

Thank you for your purchase! Have questions or need help? Please call  
our customer service 8:30 a.m. - 5 p.m., CST, Monday - Friday.

**1.833.748.HUGO (4846)**

[info@hugoandborg.com](mailto:info@hugoandborg.com)