










Assembly Instructions

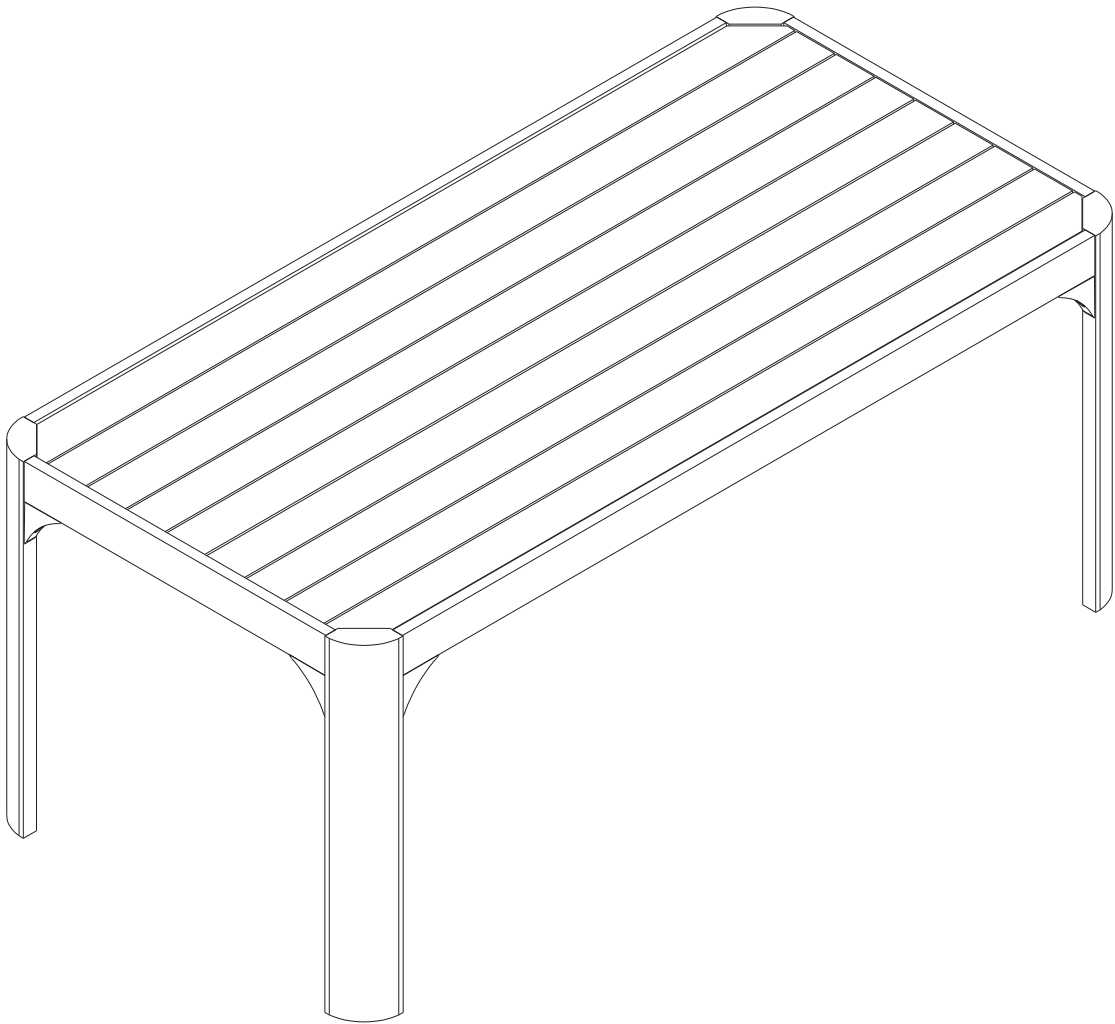
CAUTION: You must read these Assembly Instructions before you proceed.

Care & Maintenance

- ⊘  • Not for commercial use. For residential use only.
- ⊘  • Do not put hot items directly on furniture surface.
- ⊘  • Do not clean furniture with harsh cleansers or polish.
- ✓  • To obtain the longest lifespan of your outdoor products, minimizing exposure to direct sunlight is recommended.
- ⊘  • Children should not climb or jump on the furniture.
- ⊘  • Do not write on furniture without a padded barrier to protect the surface.
- ⊘  • To obtain the longest lifespan of your outdoor products, avoid extended and lengthy exposure to rain, snow, and direct sunshine. Whenever possible cover the product and /or place under patio or awnings.
- ⊘  • Stains may be removed with mild soap solution and damp cloth.
- ✓  • Dust and pick-up spills using a clean, non-colored, lint-free cloth.

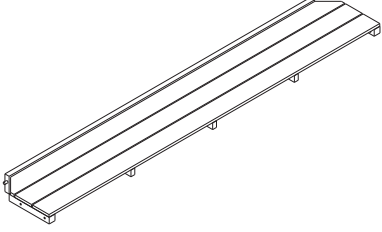
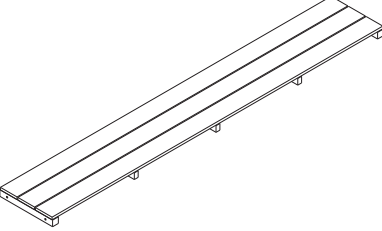

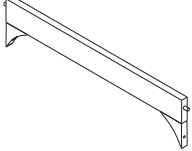
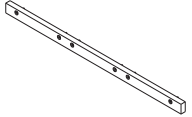

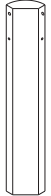
Please look underneath the Table Top for hardware packs.

Table

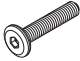
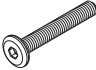
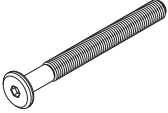
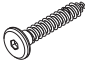


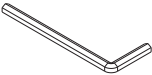


CAUTION: This Table is NOT a TOY.
Keep your child / children at bay during the assembly process.
For moving the Table and to prevent damage to the Table, two adults may be needed to execute this action.

Parts List

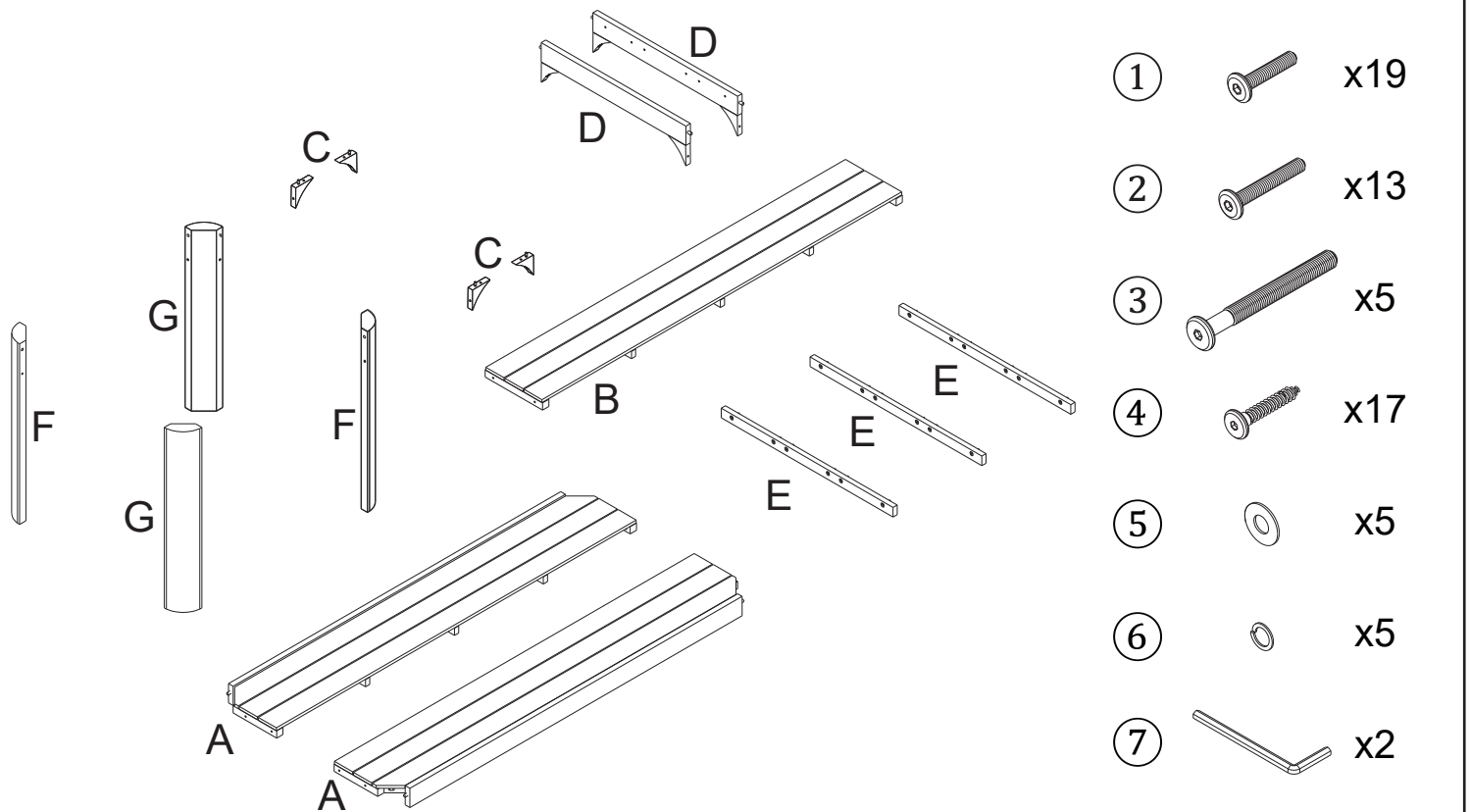
Label	Picture	Description	QTY
A		Outer Table Top	2
B		Middle Table Top	1
C		Brace The Leg	4
D		Leg Support Panel	2
E		Support Bar	3
F		First Leg	2
G		Second Leg	2

Hardware

Label	Picture	Description	QTY
①		Bolt (M6x30mm)	19
②		Bolt (M6x40mm)	13
③		Bolt (M8x75mm)	5
④		Screw (M6x40mm)	17
⑤		Washer (8.5x20x2)	5
⑥		Spring Washer (8.5x12x1.5)	5
⑦		Allen Wrench	2

Assembly Preparation

Before Beginning Assembly:





- Read instructions, cover to cover.



- Have 2 adults on hand for assembly.



- Do not assemble on flooring or carpet.



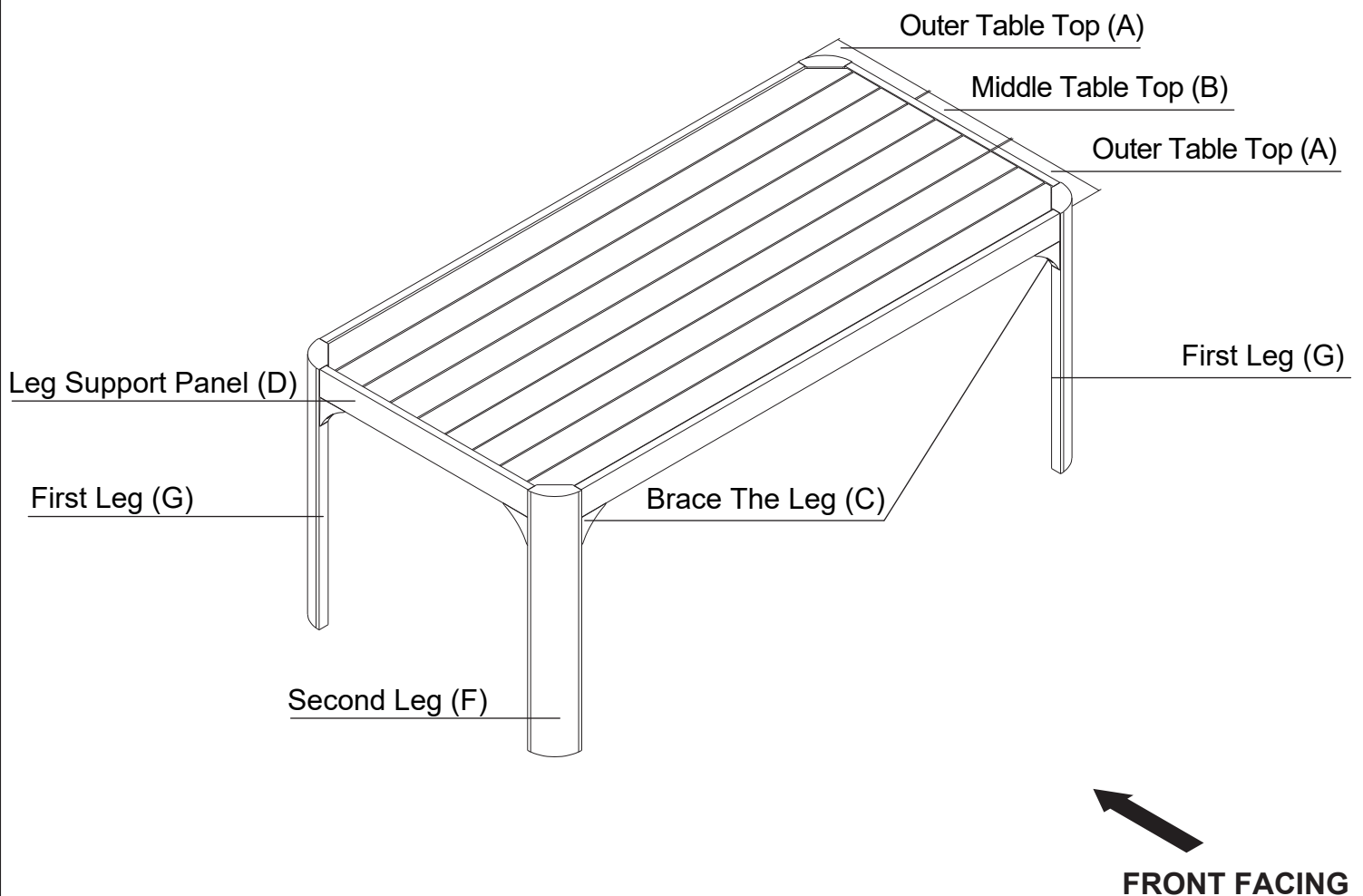
- Assemble on a clean non-marring surface (packing foam).



- Save all packaging until finished.

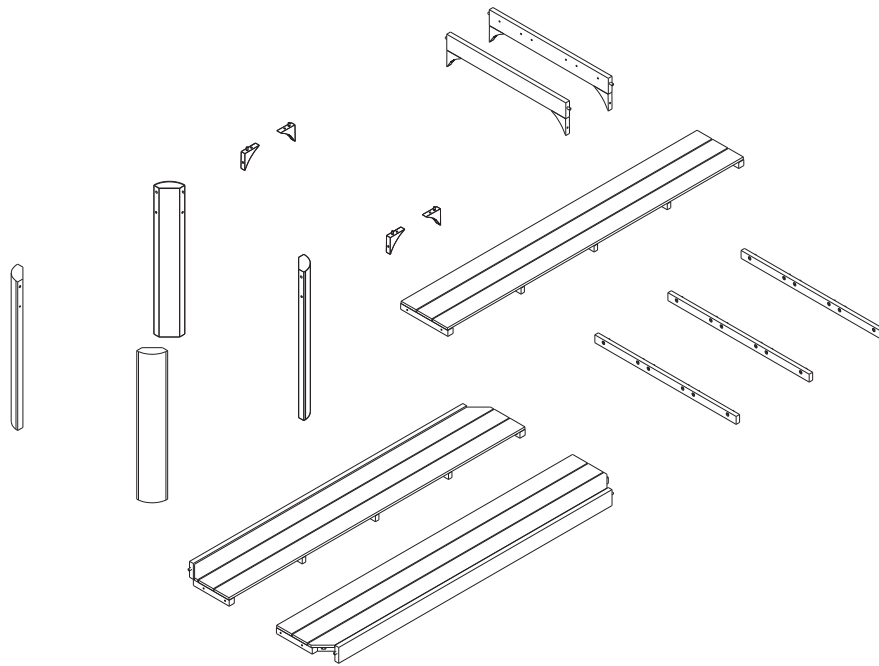
Assembly Steps

Overview



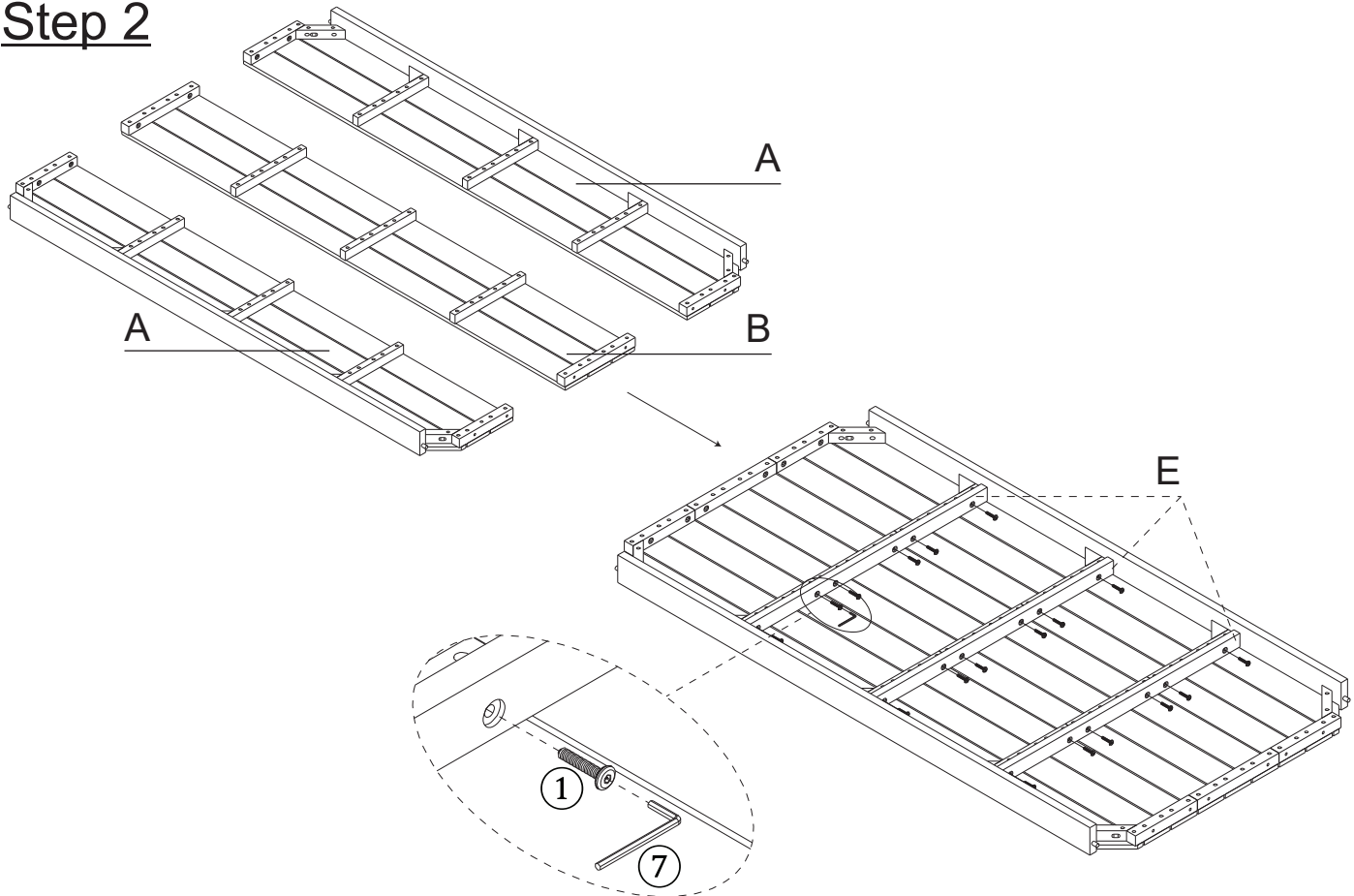
This Table has multiple parts and may require up to 30 minutes to assemble. To give you an overview of the Table parts, the above picture is to help you put the various parts into perspective. Please read through the instructions below to familiarise yourself with the parts and steps before assembly.

Step 1



Unpack and place all parts on a clean, non-marring surface.

Step 2



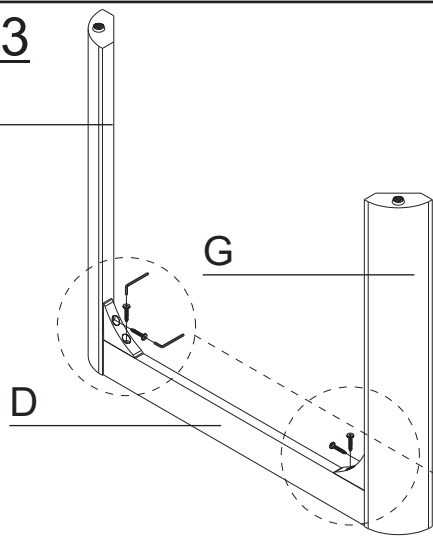
Place the Outer Table Top (A), Middle Table Top (B) facedown on a clean, non-marring surface.

With assistance from your adult partners, attach the Support Bar (E) to the Outer Table Top (A), Middle Table Top (B) using Bolts ① and the Allen Wrench ⑦ as shown above.

Do not fully tighten Bolts.

Step 3

F

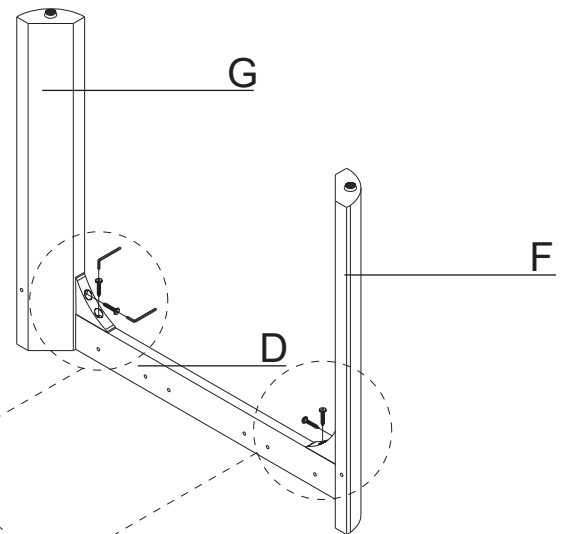


G

D

Step 1. Left Leg Panel

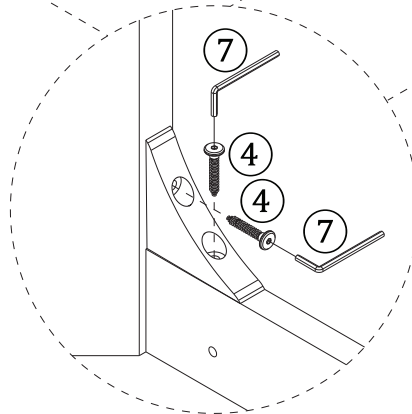
G



F

D

Step 2. Right Leg Panel

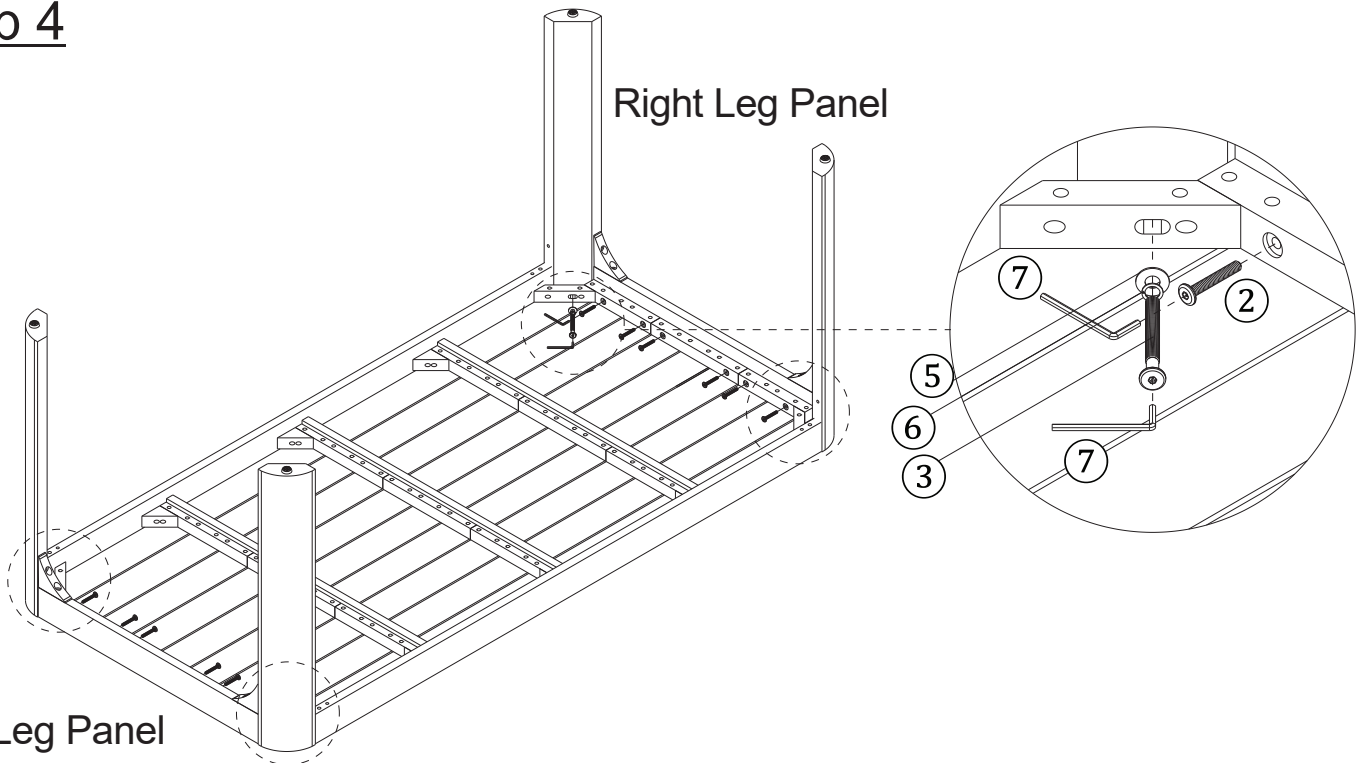


Attach the Leg Support Panel (D) to the First Leg (F), Second Leg (G) using Screws (4) and the Allen Wrench (7) as shown above.

Do not fully tighten Screws.

Step 4

Right Leg Panel

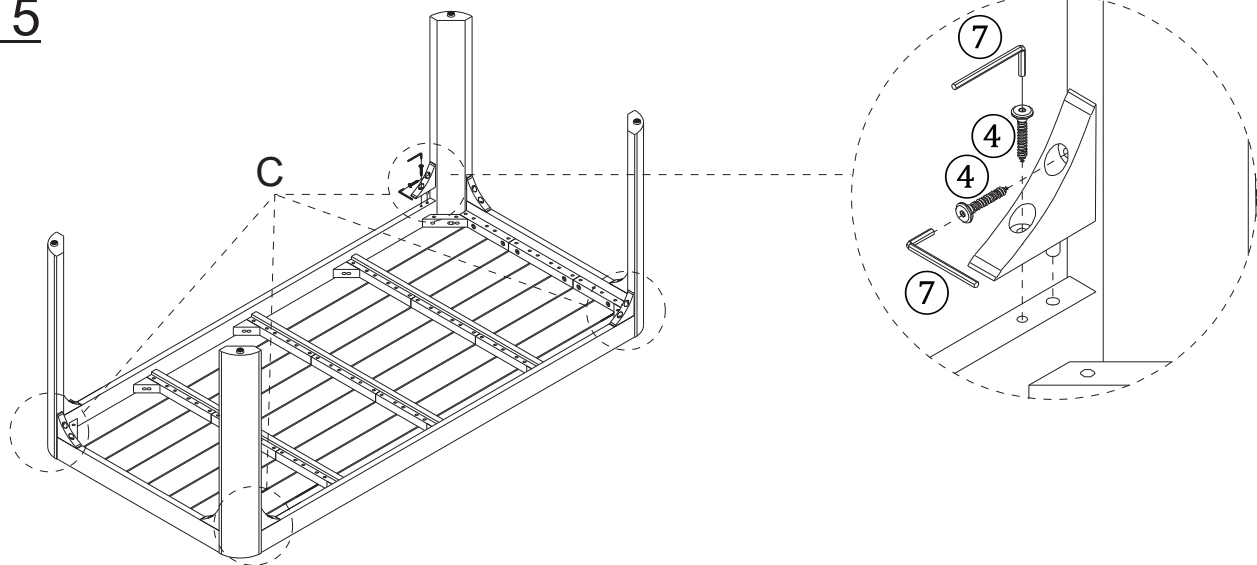


Left Leg Panel

Attach the Left Leg Panel, Right Leg Panel to the Table Top using Bolt (2), Bolt (3), Washer (5), Spring Washer (6) and the Allen Wrench (7) as shown above.

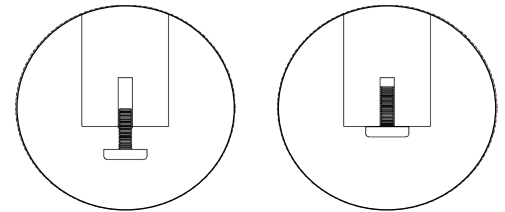
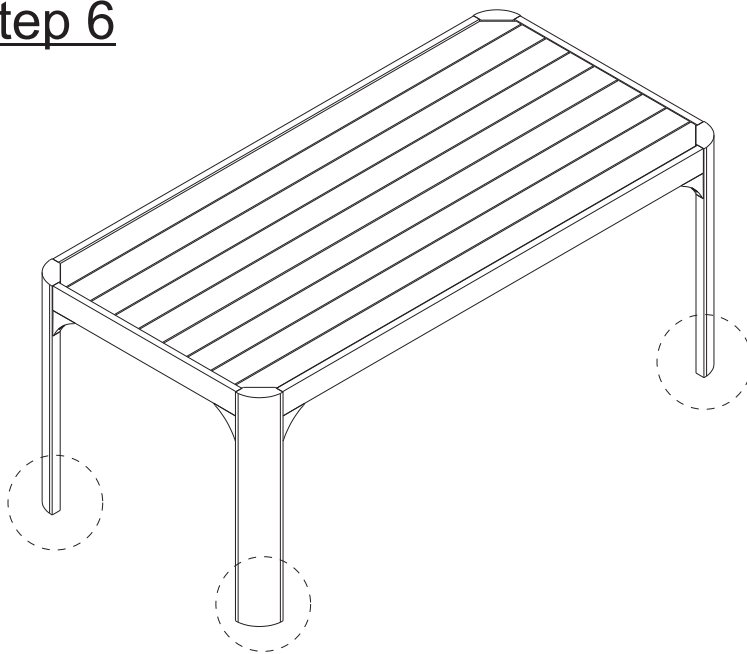
Do not fully tighten Bolts.

Step 5



Attach the Brace The Leg (C) to the Left Leg Panel, Right Leg Panel, Table Top using Screws (4) and the Allen Wrench (7) as shown above.
Do not fully tighten Screws.

Step 6



Adjust height for balance Adjust low for balance

Adjust Pre - installed
Levelers height for balance

Turn the Table right side up, with assistance from your adult partner.

Place the Table on a **LEVEL SURFACE**.

Inspect it and make sure all parts are adequately connected.

Press on the Table with both hands and apply pressure towards the floor.

This would help the Legs and Table Top reach full alignment status.

Check for wobbles on a **LEVEL** surface.

If no wobbles are found, proceed to tighten the Bolts/ in a sequential manner, until they are evenly secured.

CAUTION 1: When tightening these bolts/screws, tighten sequentially.

DO NOT tighten any bolts/screws fully and then towards the next one.

This would cause the frame to warp.

If there is still wobbles, loosen the bolts/screws and execute this same process.

Ensure all bolts/screws are fully locked into position.

Your Table is ready to be used.

Caution 2: This Table can only be used on a flat, level surface.

Questions & Answers about Proposition 65

- What is Proposition 65?

Proposition 65 requires businesses to provide warnings to Californians about significant exposures to chemicals that cause cancer, birth defects or other reproductive harm. These chemicals can be in the products that Californians purchase, in their homes or workplaces, or that are released into the environment. By requiring that this information be provided, Proposition 65 enables Californians to make informed decisions about their exposures to these chemicals.

Proposition 65 also prohibits California businesses from knowingly discharging significant amounts of listed chemicals into sources of drinking water.

Proposition 65 requires California to publish a list of chemicals known to cause cancer, birth defects or other reproductive harm. This list, which must be updated at least once a year, has grown to include approximately 900 chemicals since it was first published in 1987.

- What types of chemicals are on the Proposition 65 list?

The list contains a wide range of naturally occurring and synthetic chemicals that include additives or ingredients in pesticides, common household products, food, drugs, dyes, or solvents. Listed chemicals may also be used in manufacturing and construction, or they may be byproducts of chemical processes, such as motor vehicle exhaust.

- What does a warning mean?

If a warning is placed on a product label or posted or distributed at a workplace, a business, or in rental housing, the business issuing the warning is aware or believes that it is exposing individuals to one or more listed chemicals. By law, a warning must be given for listed chemicals unless the exposure is low enough to pose no significant risk of cancer or is significantly below levels observed to cause birth defects or other reproductive harm.

- Where can I get more information on Proposition 65?

If you have specific questions on the administration or implementation of Proposition 65, you can contact OEHHA's Proposition 65 program at P65.Questions@oehha.ca.gov, or by phone at (916) 445-6900.