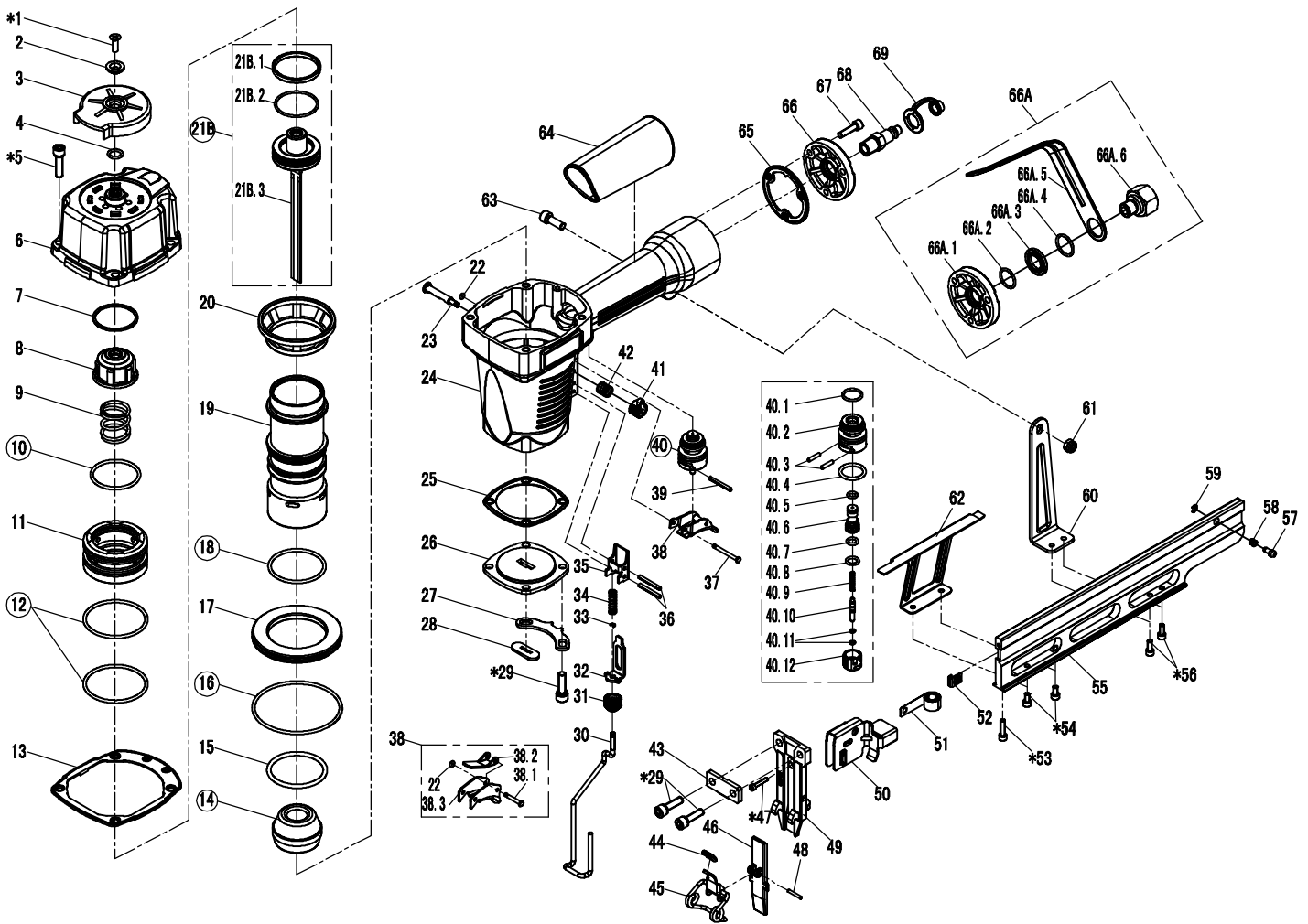


FREEMAN

PSS50 REPAIR KITS



KIT MODEL	KIT DESCRIPTION	PART NUMBERS
	REBUILD O-RING KIT	10, 12, 16, 18, 21B. 1, 21B. 2, 40. 1, 40. 4, 40. 5, 40. 7, 40. 8, 40. 11
	TRIGGER KIT	40
	DRIVER BLADE AND BUMPER KIT	14, 21B