

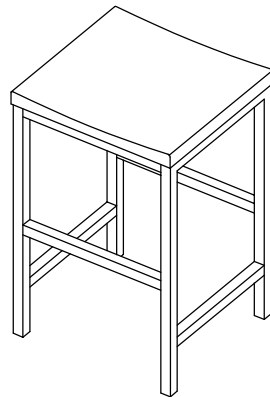


CAROLINA FORGE

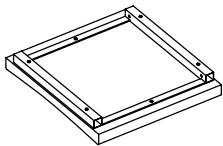
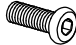
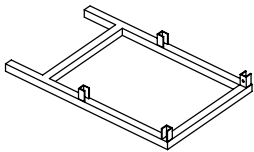




Assembly Instructions

Item # CF2415 / CF3015

STOOL



Thank you for purchasing a Carolina Forge company product. This product has been designed for easy assembly and is constructed for durability. Please take the time to read and follow the assembly instructions carefully. If a part or hardware is missing or you have any difficulties in assembling this product, please contact us Toll Free 1-800-228-3876.

NO.	PART	DESCRIPTION	Q'TY	NO.	PARTS	DESCRIPTION	Q'TY
A		Seat	1PC	D		Allen Head Bolt 1/4" x 5/8"	8PCS
B		Leg Assembly	2PCS	E		Spring Washer Ø10	8PCS
				F		Flat Washer Ø12*T1.0	8PCS
C		Stretcher	2PCS	G		Allen Head Wrench 4MM	1PC



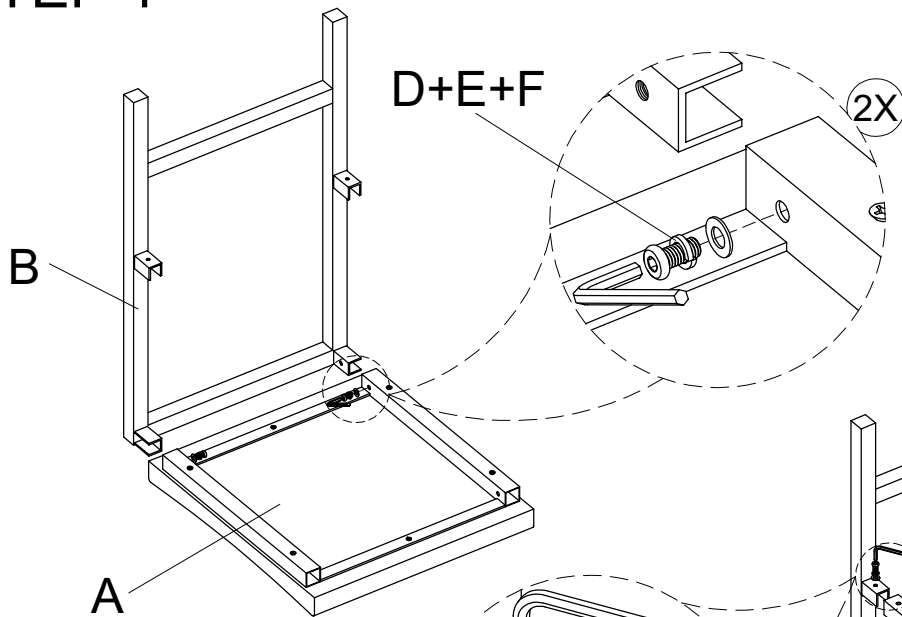
CAROLINA FORGE

Assembly Instructions

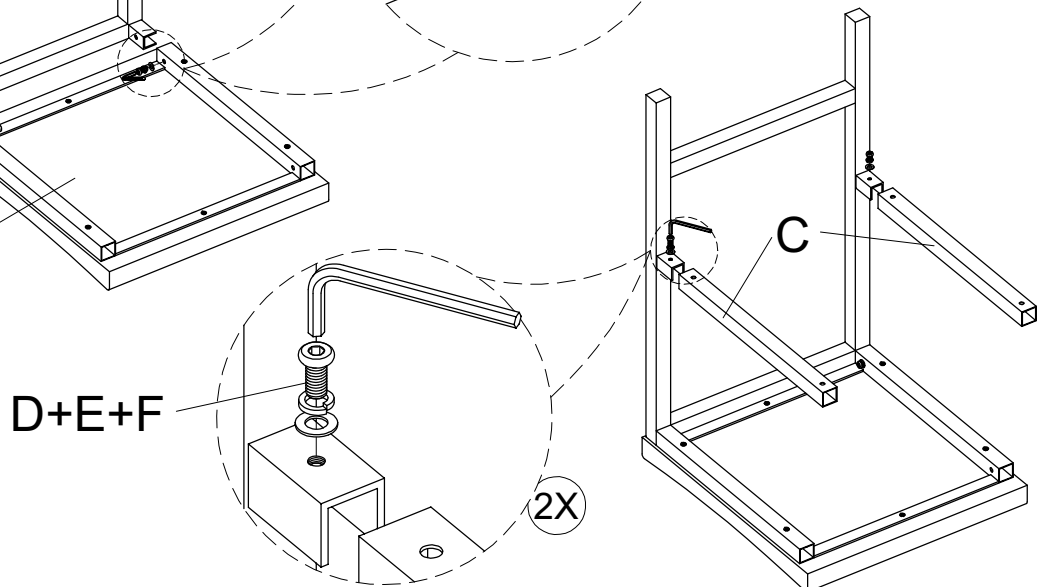
Item # CF2415 / CF3015

STOOL

STEP 1



STEP 2



STEP 3

