

Laurel Mountain

Whirlpools, Air Baths, Combination Tubs, Drift Baths and Soaking Tubs



A Water Test **MUST** be performed prior to install.
Please see page 5 for more details.

OWNER'S MANUAL

For your installation, operation,
and maintenance needs.



Laurel Mountain

About This Owner's Manual

Laurel Mountain has gained popularity by the wide selection of high quality, whirlpools, bathtubs and showers. This manual covers the installation, operation, and maintenance needs for Laurel Mountain Whirlpools, Air Baths, Combination baths, Drift Baths and Soaking tubs. If you have any questions or need additional information on your Laurel Mountain bath, you can contact our customer service department at 1-800-930-0050 between 6:00 am and 6:00 pm EST Monday – Friday.

INSTALLATION SAFETY WARNING

- ▲ **Your Laurel Mountain bathtub has been water tested prior to shipment. However, due to transportation and potential on-the-job conditions, you should NOT install this tub until performing a water test. A second water test should also be performed once the tub is in its final location prior to completing the install. The water test should include operation of any and all systems, jets, controls, etc.**
- ▲ **Building material & wiring should be routed away from the pump or other heat producing parts of this tub.**
- ▲ Please follow these instructions to insure an easy and safe installation process. Any deviations, additions, or deletions to your Laurel Mountain tub or it's hardware will void the warranty of this product if written approval is not obtained from the manufacturer.
- ▲ Use this tub for its intended purposes described in the manual. The manufacturer does not recommend using any attachments not specifically approved in this manual. **DO NOT** allow any electrical appliances near the bath tub. **DO NOT** use alcohol, drugs, or medication as this will greatly increase your risk of hypothermia or drowning. **DO NOT** allow children to use the bathtub without adult supervision. **DO NOT** use options NOT installed by the manufacturer. Do not use if you are or think you are pregnant, consult your physician before using the bath tub.

Specifications

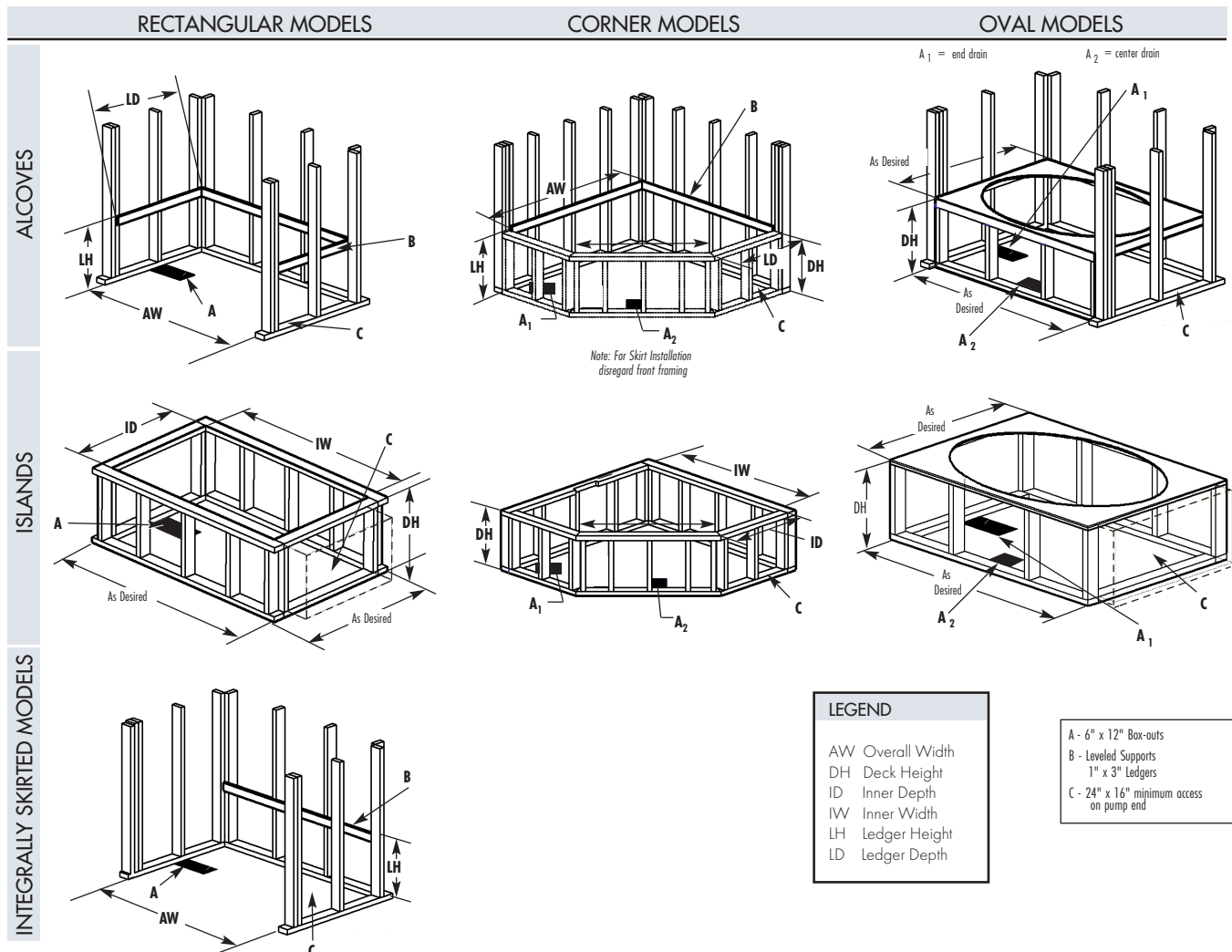
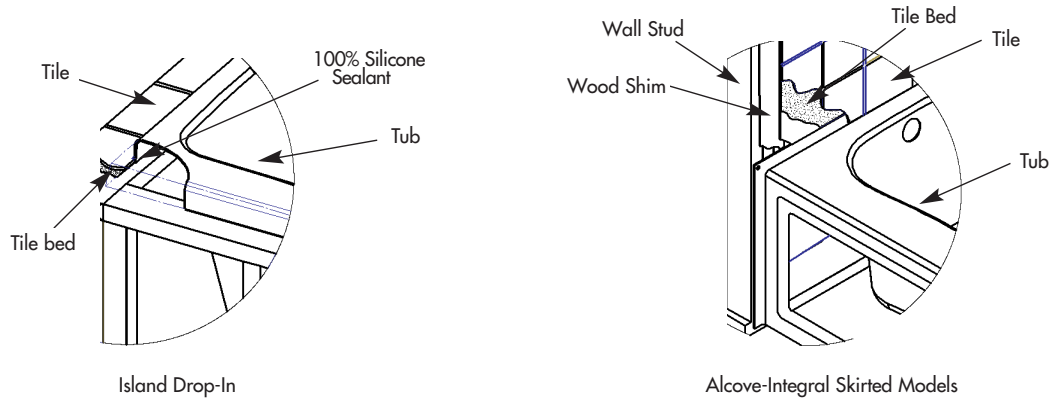
Your tub was constructed from an acrylic shell cast. It was then reinforced with a mixture of chopped fiberglass in a resin applied to the backside of the shell. The base of your unit was designed to give uniform support to the tub floor and has been pre-leveled. It meets or exceeds load-bearing and impact resistance requirements of the listed standard without evidence of crazing or cracking and with minimal deflection when installed in accordance to Laurel Mountain printed instructions.

Contents

About This Owner's Manual	2
Installation Safety Warning	2
Specifications	2
Table of Contents	3
Framing Diagrams	4
Installation Warning	5
Prior To Installation	5
Installation Instructions	5
Framing & Installation Procedures	5
Framing & Installation Procedures for Drop-Ins and Islands	5
Integrally Skirted / Alcove Tub Installation	6
Electrical & Wiring Instructions	7
Plumbing Installation	8
Final Water Test & Clean-Up	8
Operation Instructions	9
Important Safety Instructions	9
Whirlpool Operation	10
Air Bath Operation	12
Combination Bath Operation	13
Drift Bath Operation	16
Care & Cleaning Instructions	17
Laurel Mountain Warranty	17
Troubleshooting Common Issues	18

Framing Diagrams

1. Protect interior of tub throughout installation process.
2. Framing and supports will vary according to the model and type of installation selected.
3. Please refer back to the unit's Technical Data sheet for specific dimensions located at www.laurelmountainbath.com.



Dimension guides are also available at Lowes.com.

Prior To Installation

Immediately inspect your tub upon arrival for any cosmetic defects or damage. If any problems or concerns are discovered, contact Laurel Mountain on how to proceed. **DO NOT** remove the bath from its shipping container until you are ready to water-test and install. When you are prepared to remove the tub from its carton **DO NOT LIFT** the tub out by its plumbing. We also recommend cutting cardboard from the shipping container to place inside the tub to protect its floor. Even though your tub has been inspected and water tested prior to shipment, it is very important that you perform a water test of your own to ensure all of the fittings and connections were not damaged during transit. Take your tub to an area where you can fill it up, run electrical components, and drain it. Fill your tub to the overflow and if you have a pump and/or blower, operate it and all components (chromatherapy, heater, etc.) for 15 minutes. Inspect the entire unit during and after for leaks. Any defects that are discovered **MUST** be reported at this time to qualify for warranty coverage. Qualified plumbers and electricians **MUST** be used for all tub connections to ensure all local codes are followed and permits acquired. **NEVER LIFT** the unit by any portion of the plumbing or stand in the unit during installation as this may cause serious damage to the unit.

INSTALLATION INSTRUCTIONS

INSTALLATION WARNING

- ▲ **Your Laurel Mountain bathtub has been water tested prior to shipment. However, due to transportation and potential on-the-job conditions, you should NOT install this tub until performing a water test. A second water test should also be performed once the tub is in its final location prior to completing the install. The water test should include operation of any and all systems, jets, controls, etc.**
- ▲ **Building material & wiring should be routed away from the pump or other heat producing parts of this tub.**

Framing & Installation Procedures for Drop-Ins and Islands

DANGER - RISK OF ELECTRIC SHOCK When using electrical products, basic precautions should always be followed, including the following: Connect only to a circuit protected by a Ground-Fault Circuit-Interrupter (GFCI).

Install to permit access for servicing.

1. Install outlet(s) per electrical requirements. The outlet must be accessible through the access panel.
2. Place the bath in the location for installation. Check that the bath is level (length and width). A carpenter's level is recommended. If necessary, place shims under support legs. Make measurements for framework construction. Remove bath from location.
3. Construct framework.
 - Ensure that construction materials comply with applicable code requirements for the installation site.
 - All framing must be square, level and designed to provide structural support.
 - Do not allow tub rim to support any of the bath weight.
4. An **access panel**, 24" x 16" minimum, must be provided to allow access to the pump blower, electrical connections, and other accessories. Adequate access is required for any warranty work and future maintenance.
5. ALL MODELS WITH LEVELING FEET – The following procedure is recommended for pre-leveled bottoms. Lift unit by the rim and place in alcove or framework. If necessary, shim feet until unit just rests on leveled ledges or framework. Secure the unit by fastening the bottom feet to the subfloor with any construction adhesive caulk. The use of casting plaster or plaster of paris is suggested by not mandatory as a foundation support between floor and bottom of unit to suppress noise and give a solid and stable feel for the user.
6. The rim of the bath is not designed to support weight. If finished material is to overlap or contact the bath, the added weight must be fully self-supporting.

WARNING

Installation Recommendation

Use two or more people to move and install whirlpools/airbaths. Failure to do so can result in back or other injury.

IMPORTANT

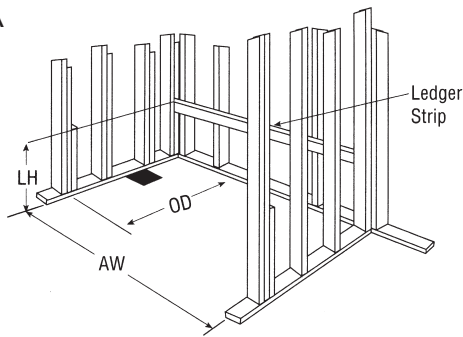
Whirlpool & Combo Install

When installing a whirlpool or a combination tub, make sure the clear plastic hose that connects the pump to the On/Off button does not get pinched or kinked.

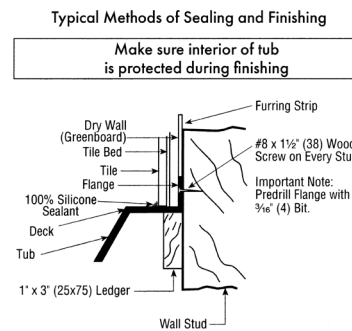
Integrally Skirted/Alcove Tub Installation

- To avoid obstructions during installation, make sure water lines, spout pipes and valve plumbing do not project into alcove.
- Ledger Strip:** Fasten a 1" x 3" ledger strip along rear for alcove and along both sides in corner installations at Dimension LH. (see diagram 1A)
- Mix a 3 gallon bucket of plaster and water to a paste. Place three or four mounds of plaster away from drain hole in a line or square, approximately twice as high as the cavity under the tub bottom.
- Place tub into alcove with front skirt firmly on floor and depress cement mounds. Make certain that back ledge of tub rests firmly on ledger strip. (see diagram 1A)
- Using 1 1/2" washer head screws:** (a) spot-fasten the two bottom corners and the two top corners of the vertical side nailing flanges. (b) Fasten at each stud through the top sides flanges and back flange, working from both ends toward back center. (c) Complete fastening vertical side flanges.
- When other than scratch coat is used, furring strips as thick as nailing flanges are recommended for installation on studs above the installed tub to assure drywall will be flush.
- See and follow the Sealing & Finishing Diagram (diagram 1B).
- See and follow **Final WATER Test and Clean-Up** on page 8.

1A

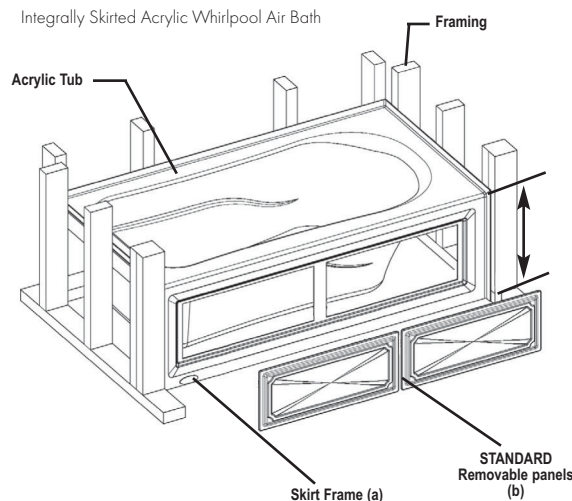


1B



Removable Access Panel For Alcove / Skirted Models

These models are offered with removable access panels. They provide a flush-to-wall installation (sheet rock overlaps skirt while still providing access). The skirt features a decorative removable panel enabling easy access to pump blower and electrical hookups. **IMPORTANT:** Before installation of the panel, fill the unit, test the whirlpool/air bath systems for proper operation and check for leaks, then drain.



Electrical & Wiring Instructions

Rough in the wiring on a single 120VAC, 15-20 amp, GFCI protected dedicated circuit for each whirlpool, air system, or heater installed on the tub.

WARNINGS:

1. **All electrical connections must be made by a licensed certified electrician in accordance with the requirements of the National Electrical Code and applicable state and local codes and procedures.**
2. **All circuits connected to this unit must be equipped with Ground Fault Circuit Interrupter (GFCI) protection. It is the tub installer's responsibility to wire the circuit with GFCI.**
3. **All bathtubs equipped with an inline heater require two dedicated circuits. One for the whirlpool system and one for optional inline heater. The heater has a piggyback outlet that should remain empty.**
4. **DO NOT splice a longer cord to the power supply cord and DO NOT connect to an extension cord.**

All whirlpool, air systems, and heaters are equipped with a molded plug on the end of a power supply cord. One or two outlet boxes will be factory installed to accommodate tubs with three plugs. Electric power may be supplied to the outlet boxes OR install a separate, dedicated 120VAC, 15-20 Amp GFCI protected electrical wall plug outlet inside the access panel for each pump, blower, and heater equipped on the tub. For example, if the tub is equipped with a whirlpool system only, then one GFCI wall plug outlet is necessary. If the tub is equipped with both whirlpool system and a heater then two separate circuits with GFCI wall plug outlets are required. Be sure to count the number of accessories before installing the GFCI wall outlets. Also, the power supply cords equipped with each accessory are only 2.5' long, so locate the GFCI wall outlet within 1.5' of the intended accessory. Note: If using the outlet boxes installed by our factory, the double outlet box is a "split" box & a separate 15-20 Amp circuit electric line must be run to both the top & bottom outlet.

Electrical Requirements

Pump: Small Tubs (60"x36" or smaller) – 120V, 9 Amps	Whirlpool Heater: 120V, 12 Amps
Pump: Large Tubs – 120V, 13 Amps	Air / Soaker Heater: 120V, 13.4 Amps
Pump: Silent – 120V, 11.5 Amps	Music, Lights, Vibe: 120V, 1.0 Amp
Air Blower: 120V, 9.5 Amps	Chromatherapy: 120V, 0.6 Amps

Please note, that when sizing the electrical circuits to power the unit, you should always check the rating labels on equipment because there could be changes.

Packages

Whirlpool (Pump)
Whirlpool Deluxe (Pump & Whirlpool Heater)
Whirlpool Illumination (Silent Pump & Chromatherapy)
Whirlpool Sound (Pump, Whirlpool Heater & Music, Lights, Vibe)
Air Bath (Air Blower & Air Heater)
Combo Bath (Pump & Air Blower)
Combo Bath Deluxe (Pump, Whirlpool Heater, & Air Blower)
Combo Bath Illumination (Silent Pump, Chromatherapy, & Air Blower)
Drift Bath (Silent Pump & Chromatherapy)

Dedicated GFCI's Required

1, 20amp GFCI
2, 20amp GFCI's
1, 20amp GFCI
2, 20amp GFCI's
2, 20amp GFCI's
2, 20amp GFCI's
3, 20amp GFCI's
2, 20amp GFCI's
1, 20amp GFCI

Plumbing Installation

Install fill valves and spout in the desired locations. Note, due to various possible fill valve and spout locations, the holes are not drilled at the factory. Make certain that the spout is long enough to clear the interior rim of the tub. If installing fill valves on the deck of the tub, be sure that you have enough clearance for connections of valve to tub and water connections before drilling/cutting into tub. Seal the joints under the tub rim and against the wall with a water resistant seal. Then install a standard 1.5" trap to the drain and overflow.

Before proceeding, make a Final Water Test (see page 9).

Final Water Test & Clean-Up

Water Test:

To test system for leaks, follow these steps in order listed:

1. Fill clean tub with water to minimum 4" above air channels or 1" above the whirlpool jets.
2. **CAUTION: BEFORE USE OF THE PUMP, TEST THE GFCI FOR PROPER OPERATION. THE PUMP SHOULD TURN OFF WHEN THE GFCI "TEST" BUTTON IS PUSHED.**

To test the Ground-Fault Circuit-Interrupter (GFCI), push the test button. The GFCI should interrupt power. Push the reset button. Power should be restored. If the GFCI fails to operate in this manner, there is a ground current flowing, indicating the possibility of a lethal electric shock. Do not use this unit. Disconnect the unit and have the problem corrected by a licensed electrician before using.

3. Push on/off button.
4. Allow system to run a full 10-minutes.
5. Through access door or removable skirt, check for leaks in the whirlpool/air bath plumbing system. If leakage is occurring at any other points, notify Laurel Mountain.
6. If any electrical malfunctions occur, consult electrician. Malfunctions of the whirlpool/air bath controls or the circulating system should be reported to Laurel Mountain.

Clean-Up:

1. Remove all construction residue and foreign materials. Wipe unit clean with a damp rag, otherwise staining may occur.
2. Plaster may be removed by scraping with the edge of a piece of wood or rigid plastic. Do not use metal scraper. For spots left by plaster or grout: rub lightly with a liquid detergent (Spic-N-Span® or similar) on damp cloth or sponge.
3. **DO NOT** use abrasive cleaners, scouring powders, steel wool, wire brushes or anything else that may harm or dull the surface.
4. Paint, tar, or stubborn stains may be removed with rubbing alcohol. To avoid discoloration, cleaners containing petroleum distillates must not remain on surfaces. NEVER use lacquer thinner or chlorinated solvents.
5. Dulled areas can be restored to a high gloss with white or a non-abrasive automotive rubbing compound, followed by application of carnauba wax or white or cream automotive paste wax and buffing.
6. Major gouges require professional repair. Contact Laurel Mountain to arrange factory-authorized repair services.

OPERATION INSTRUCTIONS

Save These Important Safety Instructions

Laurel Mountain will not be held responsible for water damage of any kind in connection with the installation and/or operation of one of our bathtubs. All whirlpool jets must be completely submerged below water before starting the pump. **Do not operate the pump without water as damage may occur.** Do not block the overflow drain and allow water to reach the controls as they are not waterproof and leaks to the floor may occur.

WARNING - Prolonged Immersions in Hot Water May Induce Hyperthermia

Hyperthermia occurs when the internal temperature of the body reaches a level several degrees above the normal body temperature of 98.6o F. The symptoms of hyperthermia include an increase in the internal temperature of the body, dizziness, lethargy, drowsiness, and fainting. The effects of hyperthermia include (1) failure to perceive heat, (2) failure to recognize the need to exit the tub, (3) unawareness of impending hazard, (4) fetal damage in pregnant women, (5) physical inability to exit the tub, (6) unconsciousness resulting in the danger of drowning.

WARNING - THE USE OF ALCOHOL, DRUGS, OR MEDICATION CAN GREATLY INCREASE THE RISK OF FATAL HYPERTHERMIA.

Important Safety Instructions

DO

- ▲ Ensure your qualified electrician supplies a Ground Fault Circuit Interrupter (GFCI) during installation. This offers necessary protection to your unit and should be tested periodically. To test, simply push the <TEST BUTTON> and power should be interrupted. Then push the <RESET BUTTON> and power should be restored. If not, DO NOT use the unit as this indicates there is a ground current flowing and that a possibility of ELECTRIC SHOCK exists. Disconnect the unit at once and call a qualified electrician before further operation.
- ▲ Use this tub for its intended purposes described in this manual. The manufacturer does not recommend using any attachments not specifically approved in this manual.

DO NOT

- ▲ Allow any electrical appliances near the bathtub.
- ▲ Use alcohol, drugs or medication. This will greatly increase your risk of hypothermia or drowning.
- ▲ Use this tub if you think or know you are pregnant. Consult your physician first.
- ▲ Allow children to use the bathtub without adult supervision.
- ▲ Operate the whirlpool without the suction cover.
- ▲ Insert any objects into any of the openings.
- ▲ Use options NOT installed by the manufacturer.

Whirlpool Operation

If your bath has a whirlpool system, simply pushing the on/off button located on the tub will turn the tub on or off. The dial next to it will cycle through the various speeds of the pump (low, medium, and high). Jets may be adjusted by turning the jet ring/trim counterclockwise and the water flow will increase, while turning the jet trim clockwise will decrease the water flow. The jets can be closed if turned far enough clockwise. The whirlpool system requires a 20 amp dedicated circuit, 120V.

Whirlpool Deluxe Package

The whirlpool deluxe package includes the whirlpool system and whirlpool inline heater. Simply pushing the on/off button located on the tub will turn the whirlpool system & heater on or off. The heater runs automatically with the whirlpool system. The inline heater requires a 2nd 20 amp dedicated circuit.

The inline heater is designed to MAINTAIN the temperature of the bath water between 101-104 degrees Fahrenheit. These limits cannot be increased or decreased. The Heater is operated by a pressure switch which is programmed into the heater. This switch allows the heater to operate only when there is sufficient water flowing through the system.

This heater is equipped with a molded plug on the end of a supply cord. Check your local codes and install a 120VAC 20amp GFCI protected dedicated circuit wall outlet within 1.5' from the heater unit. Plug the cord into the outlet. Every time the whirlpool unit is activated, the heater will activate as well, and will MAINTAIN the water's temperature between 101-104° F. The heater will not increase the water temperature and will not heat up cold water.



Whirlpool Inline Heater

Whirlpool Illumination Package

The Illumination package includes the Chromotherapy Mood Light and Silent Pump that has a built-in heater. The Chromotherapy Mood Light is activated and deactivated by a single press of the button. It also comes pre-programmed with 12 light modes. To change modes, quickly double press the button.

- QUICK DOUBLE PRESS #1 – Fast wash, all colors
- QUICK DOUBLE PRESS #2 – Disco, all colors
- QUICK DOUBLE PRESS #3 – Faster Disco, all colors
- QUICK DOUBLE PRESS #4 – Fastest Disco, all colors
- QUICK DOUBLE PRESS #5 – Alternating slow wash, blue to green
- QUICK DOUBLE PRESS #6 – White / Pink
- QUICK DOUBLE PRESS #7 – Blue / Pink
- QUICK DOUBLE PRESS #8 – Pink
- QUICK DOUBLE PRESS #9 – Blue / Green
- QUICK DOUBLE PRESS #10 – Blue
- QUICK DOUBLE PRESS #11 – Turquoise
- QUICK DOUBLE PRESS #12 – Green

Chromotherapy Mood Light

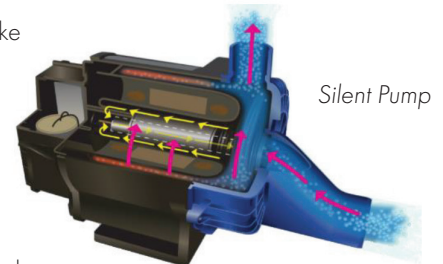


Mood Light Lens Tool

The Silent Pump has a simple, push-button operation. It does not include a 3-speed control like the standard pump. However, all the whirlpool jets can be individually adjusted for intensity.

With its revolutionary design, the heat energy generated by the pump is released into the water. This not only keeps the motor cool, it also generates "free heat" back into your water for a whirlpool experience that stays warm longer without the use of an additional heater. And once you've finished your bathing experience, it's easy to empty your tub with our self-draining, single stage, centrifugal motor pump.

The Silent Pump is also extremely energy efficient. It consumes 60% less energy than traditional pumps with an electrical heater and generates more than 15% more water flow than the closest competitor.



Silent Pump

Whirlpool Sound Package

The Whirlpool Sound package includes the whirlpool pump, inline heater, and the Music, Lights, Vibe system. Simply pushing the on/off button located on the tub will turn the whirlpool system & heater on or off. The heater runs automatically with the whirlpool system. The dial next to it will cycle through the various speeds of the pump (low, medium, and high). Jets may be adjusted by turning the jet ring/trim counterclockwise and the water flow will increase, while turning the jet trim clockwise will decrease the water flow. The jets can be closed if turned far enough clockwise. The whirlpool system requires a 20 amp dedicated circuit, 120V and the inline heater requires a 2nd 20 amp dedicated circuit. See the previous page for more information about the Inline Heater.

Music. Lights. Vibe.

To Connect to Bluetooth, press the On/Off button on the Keypad, then go to the Bluetooth settings in your smart device to locate "Vibe" and connect to it.

To sync to the music & lights, start the music, then activate the lights. The first 3 lights settings below can be synced with music.

WAV

Music
Lights
Vibe

Laurel Mountain

BACKLIT KEYPAD FUNCTIONS	LED
1. ON/OFF KEYPAD and Music System 1 st Press: Turn the keypad and music system on. 2 nd Press: Turn the keypad off.	ON OFF
2. PREVIOUS SONG Press to go to previous song.	ON (WHEN PRESSED)
3. VOLUME UP Press and hold to increase volume.	ON (WHEN PRESSED)
4. VOLUME DOWN Press and hold to decrease volume.	ON (WHEN PRESSED)
5. NEXT SONG Press to go to next song.	ON (WHEN PRESSED)
6. CHROMATHERAPY Without Music 1 st Press: Rainbow cycle - Low speed 2 nd Press: Rainbow cycle - High speed 3 rd Press: White 4 th Press: Turquoise 5 th Press: Blue 6 th Press: White and Red 7 th Press: Blue and Red 8 th Press: Red 9 th Press: Yellow 10 th Press: Green 11 th Press: Turn off the light With Music 1 st Press: Musical rainbow cycle 2 nd Press: Jotting rainbow 3 rd Press: Love mode 4 th Press: Rainbow cycle - Low speed 5 th Press: Rainbow cycle - High speed 6 th Press: White 7 th Press: Turquoise 8 th Press: Blue 9 th Press: Magenta 10 th Press: Red 11 th Press: Orange 12 th Press: Yellow 13 th Press: Green 14 th Press: Turn off the light Press and hold 2 sec. at anytime to turn off the chromatherapy	Without Music ON ON ON ON ON ON ON ON ON ON ON OFF With Music ON ON ON ON ON ON ON ON ON ON ON ON ON ON OFF

ADVANCED PROGRAMMATION

INTEGRATED 15 MINUTE AUTOMATIC TIMER
 Integrated 15 minute automatic timer on the on the complete system 15 minutes after no bluetooth transmission

COMPONENTS

A: BACKLIT KEYPADCG/BKL-TO-MV/CH-V1-**

B: VIBE CONTROLVB-120/60-SPK/LT-CG01

C: SPEAKERSVB-SPKR-8-25W-68X58X20-ADH

D: RGB LED LIGHTS.....LT-LED03RGB-R-**

VIBE AND CHROMATHERAPY SYSTEM

MAIN BREAKER PANEL
 120-240V/60Hz

CG AIR SYSTEMS INC.
 ALL RIGHTS RESERVED. NO PARTIAL OR TOTAL REPRODUCTION ALLOWED WITHOUT WRITTEN AUTHORIZATION

IMPORTANT:
 15A/120V BREAKER WITH GROUND FAULT CIRCUIT INTERRUPTER CLASS "A".
 (ONE 15 AMP/120 VOLT CIRCUIT.)

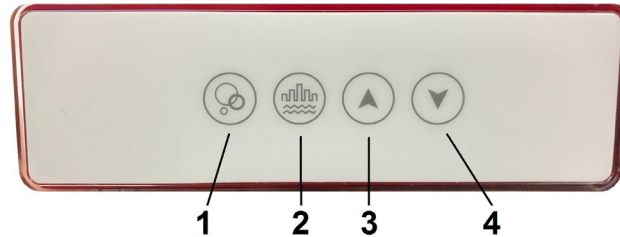
THIS INSTALLATION COMPLIES WITH UL AND CSA CERTIFICATIONS 120 VOLTS

Air Bath Operation

The air bath system includes an air blower, heater, and lateral turbo air ports spaced around the lower side walls of the tub. The air blower is designed to provide a gentle or vigorous massage. It is not designed to heat the air or water. The air blower and heater require 2, 20amp dedicated circuits, 120V (one for each). Check your local codes. Make sure the GFCI protected dedicated circuit wall outlets are located within 1.5' from the air blower and heater.

The on/off button push button activates/deactivates the heater. The heater is designed to reduce heat loss and will not increase the water temperature. These temperatures are preset and cannot be adjusted.

The air bath is operated by touching the control pad pictured below.



1. ON/OFF – Press to start, press again to stop
2. PULSE CYCLES - Pressing this button once will turn on Wave Mode which fluctuates the blower from minimum to maximum power. Pressing the button again changes to Pulse Mode. In Pulse Mode, the blower will release air in short, intense bursts. Pressing the button again will return the blower to normal.
3. INCREASE SPEED – Press and hold to increase the speed of air flow. Release when desired speed is reached.
4. DECREASE SPEED – Press and hold to decrease the speed of air flow. Release when desired speed is reached.

An automatic drying cycle will start 20 minutes after the blower is turned off. The blower LED blinks while waiting for the purge cycle. For a manual cycle, hold the #1 button for three seconds for an immediate purge.

Combination Bath Operation

Combination Bath Standard Package Operation

The Combination Bath Includes the Whirlpool system and Air Bath.

Whirlpool

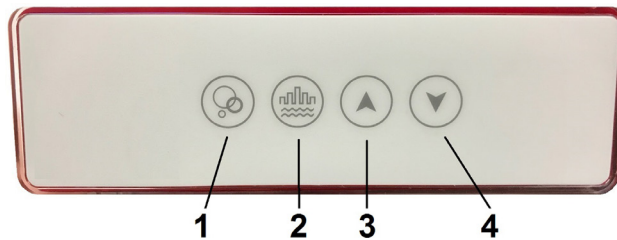
To operate the standard whirlpool system, simply pushing the on/off button located on the tub will turn the tub on or off. The dial next to it will cycle through the various speeds of the pump (low, medium, and high). Jets may be adjusted by turning the jet ring/trim counter-clockwise and the water flow will increase, while turning the jet trim clockwise will decrease the water flow. The jets can be closed if turned far enough clockwise. The whirlpool system requires a 20 amp dedicated circuit, 120V.

Air Bath

The air bath system includes an air blower, heater, and lateral turbo air ports spaced around the lower side walls of the tub. The air blower is designed to provide a gentle or vigorous massage. It is not designed to heat the air or water. The air blower and heater require 2, 20amp dedicated circuits, 120V (one for each). Check your local codes. Make sure the GFCI protected dedicated circuit wall outlets are located within 1.5' from the air blower and heater.

The on/off button push button activates/deactivates the heater. The heater is designed to reduce heat loss and will not increase the water temperature. These temperatures are preset and cannot be adjusted.

The air bath is operated by touching the control pad shown below.



1. ON/OFF – Press to start, press again to stop.
2. PULSE CYCLES - Pressing this button once will turn on Wave Mode which fluctuates the blower from minimum to maximum power. Pressing the button again changes to Pulse Mode. In Pulse Mode, the blower will release air in short, intense bursts. Pressing the button again will return the blower to normal.
3. INCREASE SPEED – Press and hold to increase the speed of air flow. Release when desired speed is reached.
4. DECREASE SPEED – Press and hold to decrease the speed of air flow. Release when desired speed is reached.

An automatic drying cycle will start 20 minutes after the blower is turned off. The blower LED blinks while waiting for the purge cycle. For a manual cycle, hold the #1 button for three seconds for an immediate purge.

Combination Bath Deluxe Package Operation

The Combination Bath Deluxe Package includes the whirlpool system and air bath discussed above, and also the Whirlpool inline heater. The Combination Bath Deluxe Package requires 3, 20amp Dedicated GFCI

Whirlpool

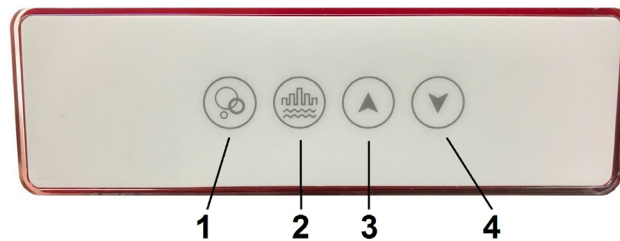
To operate the standard whirlpool system, simply pushing the on/off button located on the tub will turn the tub on or off. The dial next to it will cycle through the various speeds of the pump (low, medium, and high). Jets may be adjusted by turning the jet ring/trim counter-clockwise and the water flow will increase, while turning the jet trim clockwise will decrease the water flow. The jets can be closed if turned far enough clockwise. The whirlpool system requires a 20 amp dedicated circuit, 120V.

Air Bath

The air bath system includes an air blower, heater, and lateral turbo air ports spaced around the lower side walls of the tub. The air blower is designed to provide a gentle or vigorous massage. It is not designed to heat the air or water. The air blower and heater require 2, 20amp dedicated circuits, 120V (one for each). Check your local codes. Make sure the GFCI protected dedicated circuit wall outlets are located within 1.5' from the air blower and heater.

The on/off button push button activates/deactivates the heater. The heater is designed to reduce heat loss and will not increase the water temperature. These temperatures are preset and cannot be adjusted.

The air bath is operated by touching the control pad shown below.



1. ON/OFF – Press to start, press again to stop
2. PULSE CYCLES - Pressing this button once will turn on Wave Mode which fluctuates the blower from minimum to maximum power. Pressing the button again changes to Pulse Mode. In Pulse Mode, the blower will release air in short, intense bursts. Pressing the button again will return the blower to normal.
3. INCREASE SPEED – Press and hold to increase the speed of air flow. Release when desired speed is reached.
4. DECREASE SPEED – Press and hold to decrease the speed of air flow. Release when desired speed is reached.

An automatic drying cycle will start 20 minutes after the blower is turned off. The blower LED blinks while waiting for the purge cycle. For a manual cycle, hold the #1 button for three seconds for an immediate purge.

Inline Heater

The inline heater is designed to MAINTAIN the temperature of the bath water between 101-104 degrees Fahrenheit. These limits cannot be increased or decreased. The Heater is operated by a pressure switch which is programmed into the heater. This switch allows the heater to operate only when there is sufficient water flowing through the system. This option is equipped with a molded plug on the end of a supply cord. Check your local codes and install a 120VAC 20amp GFCI protected dedicated circuit wall outlet within 1.5' from the heater unit. Plug the cord into the outlet. Every time the whirlpool unit is activated, the heater will activate as well, and will MAINTAIN the water's temperature between 101-104 F.

*Note: The heater has a piggyback outlet that should ONLY be used to plug in the mood light or Music. Lights. Vibe system.

Combination Bath Illumination Package Operation

Includes Silent Pump Whirlpool System, Chromotherapy Mood Light, and Air Bath.

Silent Pump Whirlpool System

The Silent pump has a simple, push-button operation. It does not include a 3-speed control like the standard pump. However, all the whirlpool jets can be individually adjusted for intensity. With its revolutionary design, the heat energy generated by the pump is released into the water. This not only keeps the motor cool, it also generates "free heat" back into your water for a bath or whirlpool experience that stays warm longer without the use of an additional heater. And once you've finished your bathing experience, it's easy to empty your tub with our self-draining, single stage, centrifugal motor pump.

Chromotherapy Mood Light

The Chromotherapy mood light is activated & deactivated by a single press of the button. It also comes pre-programmed with 12 light modes. To change modes, quickly double press the button.

QUICK DOUBLE PRESS #1 – Fast wash, all colors

QUICK DOUBLE PRESS #2 – Disco, all colors

QUICK DOUBLE PRESS #3 – Faster Disco, all colors

QUICK DOUBLE PRESS #4 – Fastest Disco, all colors

QUICK DOUBLE PRESS #5 – Alternating slow wash, blue to green

QUICK DOUBLE PRESS #6 – White / Pink

QUICK DOUBLE PRESS #7 – Blue / Pink

QUICK DOUBLE PRESS #8 – Pink

QUICK DOUBLE PRESS #9 – Blue / Green

QUICK DOUBLE PRESS #10 – Blue

QUICK DOUBLE PRESS #11 – Turquoise

QUICK DOUBLE PRESS #12 – Green

Chromotherapy Mood Light



Mood Light Lens Tool

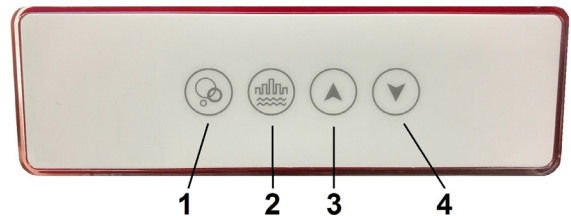
Air Bath

The air bath system includes an air blower, heater, and lateral turbo air ports spaced around the lower side walls of the tub. The air blower is designed to provide a gentle or vigorous massage. It is not designed to heat the air or water. The air blower and heater require 2, 20amp dedicated circuits, 120V (one for each). Check your local codes. Make sure the GFCI protected dedicated circuit wall outlets are located within 1.5' from the air blower and heater.

The on/off button push button activates/deactivates the heater. The heater is designed to reduce heat loss and will not increase the water temperature. These temperatures are preset and cannot be adjusted.

The air bath is operated by touching this control pad.

1. ON/OFF – Press to start, press again to stop
2. PULSE CYCLES - Pressing this button once will turn on Wave Mode which fluctuates the blower from minimum to maximum power. Pressing the button again changes to Pulse Mode. In Pulse Mode, the blower will release air in short, intense bursts. Pressing the button again will return the blower to normal.
3. INCREASE SPEED – Press and hold to increase the speed of air flow. Release when desired speed is reached.
4. DECREASE SPEED – Press and hold to decrease the speed of air flow. Release when desired speed is reached.



An automatic drying cycle will start 20 minutes after the blower is turned off. The blower LED blinks while waiting for the purge cycle. For a manual cycle, hold the #1 button for three seconds for an immediate purge.

Drift Bath Operation

The Drift bath includes the silent pump and 4 LED lights.

Bath-Side On/Off Controls



Keypad Functions

1: On/Off Pump

- 1st Press: The pump starts
- 2nd Press: The pump stops



2: Chromatherapy

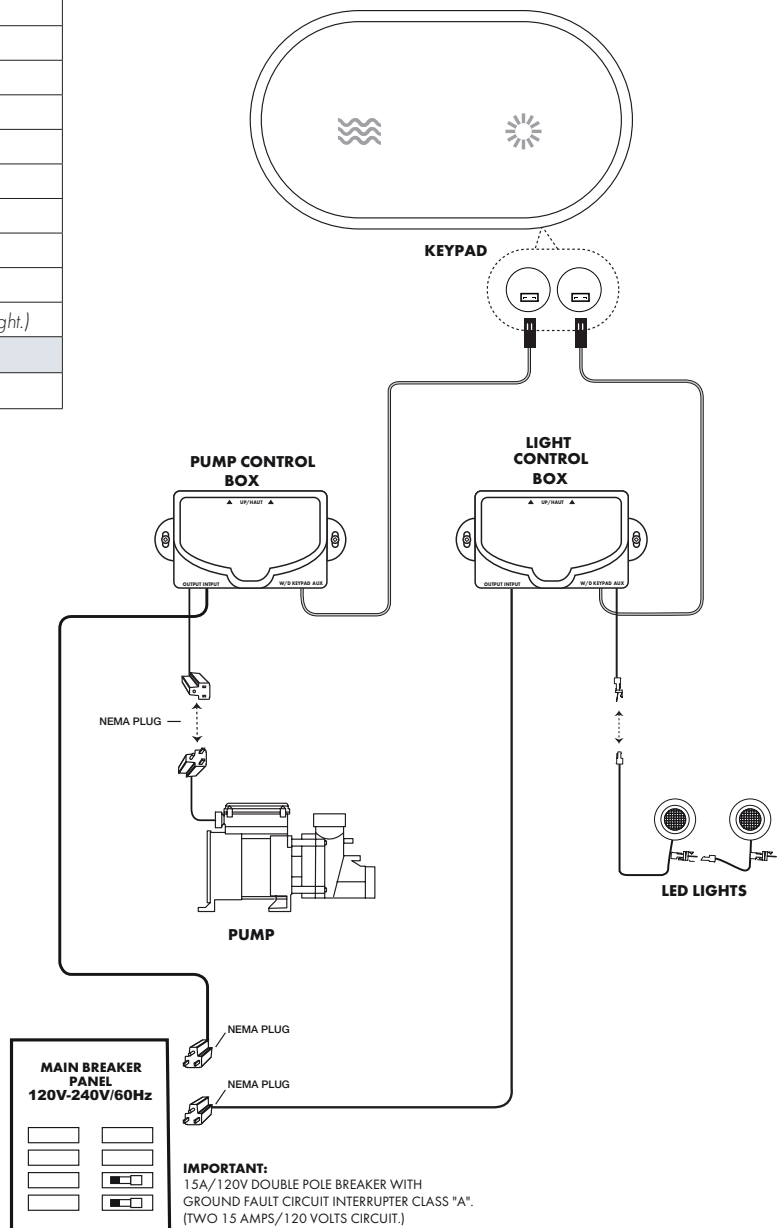
- 1st Press: Turn on the light in white
 - 2nd Press: Rainbow cycle – Low speed
 - 3rd Press: Rainbow cycle – High speed
 - 4th Press: Turquoise
 - 5th Press: Blue
 - 6th Press: Magenta
 - 7th Press: Red
 - 8th Press: Orange
 - 9th Press: Yellow
 - 10th Press: Green
 - 11th Press: Back to Rainbow cycle – Low speed
- (Press and hold 2 seconds at any time to turn off the light.)*

ADVANCED PROGRAMMING

Integrated 20 minutes pump shut-off automatic timer



Electronic Keypad



Care & Cleaning Instructions

Whirlpool

Prior to using the whirlpool, the tub and its system(s) should be thoroughly cleaned and disinfected. DO NOT use abrasive cleaners on the high-gloss acrylic finish. Use a non-abrasive cleaner and rinse thoroughly after cleaning. To remove the labels on the tub, we recommend using fingernail polish remover if they do not come off easily. To clean the whirlpool system, fill the tub up with water at least 2" above the highest jet, then add 2 tsp. of low sudsing dishwashing detergent and no more than 8 oz. of household bleach. Operate your whirlpool for 5-10 minutes and then drain the tub. Refill the tub with water and run the system for another 5 minutes, then drain. Repeat every 30 days.

All Tubs

Your bath has an acrylic finish and will retain its high luster for years with proper care. Never use an abrasive cleaner or pad to clean your bathtub. Always use a soft cloth or sponge along with a spray liquid non-abrasive bath cleaner/disinfectant. On the metallic finish, use only a soft cloth and warm soapy water.

Laurel Mountain Warranty

This Laurel Mountain bath is warranted to the original purchaser to be free from defects in material and workmanship for the following periods. The bathtub shell carries a limited lifetime warranty. The pump, blower and heater have a limited 10 year warranty. All other parts have a limited 5 year warranty. Proof of purchase is required.

This warranty is issued to the original purchaser and shall be effective from the date of purchase as shown on purchaser's receipt. Laurel Mountain will repair or replace (at their choice) any unit which proves to be defective in material or workmanship under normal use and service, having been properly installed. This warranty is the only express warranty made by Laurel Mountain and is limited to the duration of this warranty. Any labor charges and/or damage incurred in installation, repair or replacement as well as incidental and consequential damages connected therewith are excluded and will not be paid by Laurel Mountain. Some states do not allow the exclusion or limitation of incidental or consequential damages, so the above limitation or exclusion may not apply to you. This warranty is void for any damage to the bath due to abuse, misuse, neglect, accident, improper installation, any use violating instructions furnished by us, or repair not authorized in writing by Laurel Mountain.

Troubleshooting Common Issues

WHIRLPOOL/DRIFT BATH	
PROBLEM	SOLUTION
On/Off Button	
Won't depress	Remove trim ring and plunger. Clean interior, lubricate with small amount of vasoline.
Pump	
Won't start	<p>Check that all plugs are installed.</p> <p>Check electric power supply. Reset the circuit breaker or replace fuse if necessary.</p> <p>Check ground fault circuit interrupter. Reset if tripped.</p> <p>Confirm both ends of the clear plastic on/off air switch tubes are securely connected and is not pinched or kinked.</p>
Motor hums	<p>Check to see if highest jet is clogged.</p> <p>Check to see that water is at a high enough level for pump to prime.</p> <p>Check for air leak in suction line. Slightly loosen pump union & then retighten by hand.</p> <p>Check for obstruction in piping system.</p>
Leaks	
Pump unions	Loosen pump unions and inspect o-ring for proper sealing. Retighten.
Pump o-ring or seal	
Pipe to jet	Call Laurel Mountain Whirlpools customer service at 1-800-930-0050.
Jet	
Low/no water pressure	<p>Turn the trim ring around the jet. This will open/close the jet.</p> <p>See Laurel Mountain Jet video on YouTube.</p>

AIR BATH	
PROBLEM	SOLUTION
Blower	
Fails to operate	<p>Check electric power supply. Reset the circuit breaker or replace fuse if necessary.</p> <p>Check ground fault circuit interrupter. Reset if tripped.</p> <p>If the system has been functioning for an extended period of time, it is possible that the thermic protection has shut off the motor. Allow to cool off for at least 30 minutes before further use.</p>
Turns on by itself	This is part of the 24 Hour Programmable Drying Cycle. Deactivation is covered on Page 13 of the manual.
Runs but no air is blown through jets	Verify that the main air hose from the manifold to the blower is properly connected. If necessary, reconnect and tighten clamps.
Air Heater	
Does not appear to be working	<p>Let the blower run for 5 minutes to warm up the piping before filling the tub. Carefully feel the flexible connection hose where it connects to blower. The hose and its immediate area should feel warm to the touch, if not, call Laurel Mountain Whirlpools.</p> <p>If your tub is installed against 2 outside walls, adequate insulation is recommended to minimize heat loss.</p>