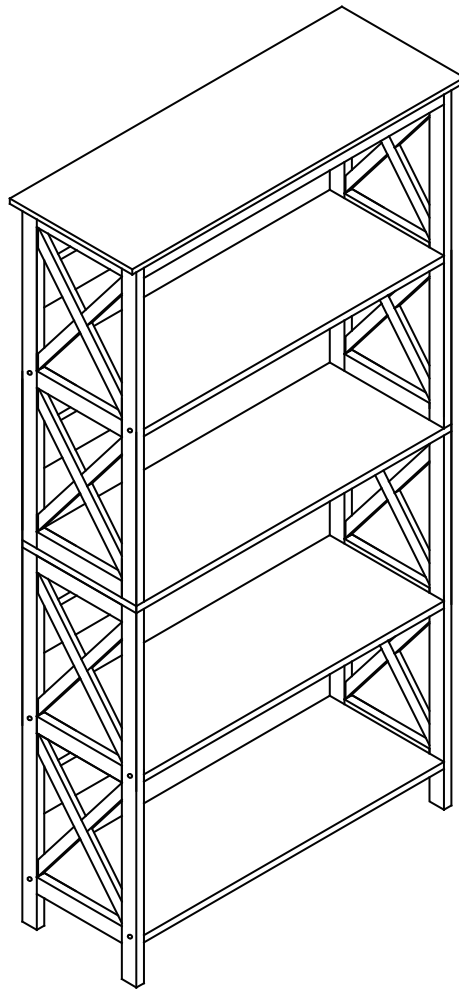


# CONVENIENCE CONCEPTS

Oxford 5 Tier Bookcase  
203050/203050W/203050ES/203050GY



## Assembly Instructions

We have designed our furniture with you, the customer in mind. Our clear, easy to follow step by step instructions will guide you through the project from start to finish.

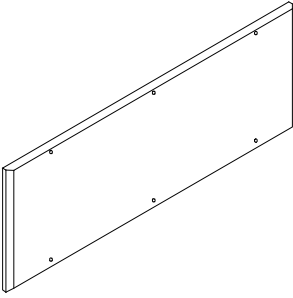
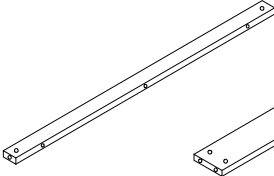
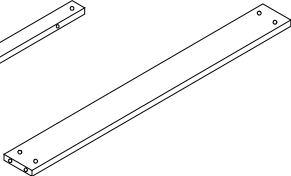
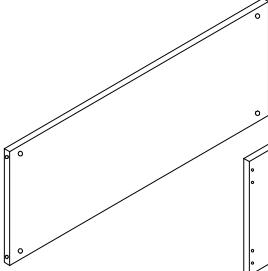
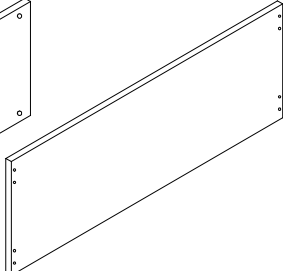
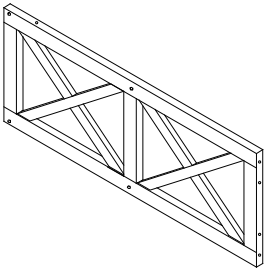
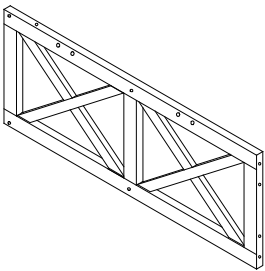
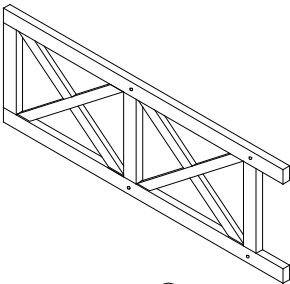
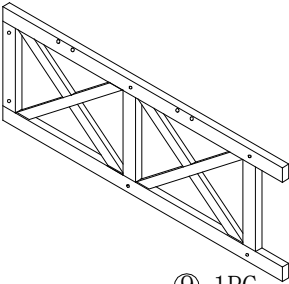


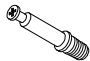






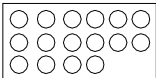
Feel confident that this will be a fun and rewarding project. The final product will be a quality piece of furniture that will go together smoothly and give years of enjoyment.



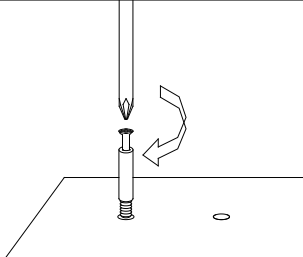
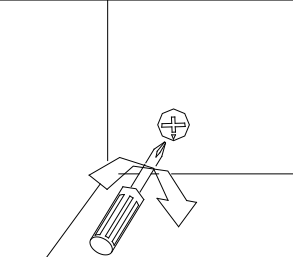
Please do not return to the store  
Broken or missing Hardware?  
Need help with Assembly?

If you have any questions just call 1-800-468-6447 or email us at  
[parts@convenience-concepts.com](mailto:parts@convenience-concepts.com)

\*Special Note: We recommend the use of a hand held screwdriver to avoid the stripping of screw heads.\*

								
① 1PC	② 2PCS	③ 4PCS	④ 3PCS	⑤ 1PC				
Top Panel	Top Support Bar	Back Support Bar	Shelves	Middle Panel				
								
⑥ 1PC	⑦ 1PC	⑧ 1PC	⑨ 1PC					
Top Right Panel	Top Left Panel	Bottom Right Panel	Bottom Left Panel					
								
A 16PCS	B 16PCS	C 20PCS	D 20PCS	E 12PCS	F 4PCS	G 2PCS	H 2PCS	I 2PCS
Bolt	Lock Nut	Cam Bolt	Cam Lock	Screw	Wood Dowel	Anti-Tip Bracket	Small Screw	Anchor
								
J 16PCS								
Stickers								

### Assembling the unit with cams.

	
Gently screw cam bolt into the threaded anchor.	Insert cam lock with arrow pointing down. Screw the cam firmly into locked position.

# Step 1

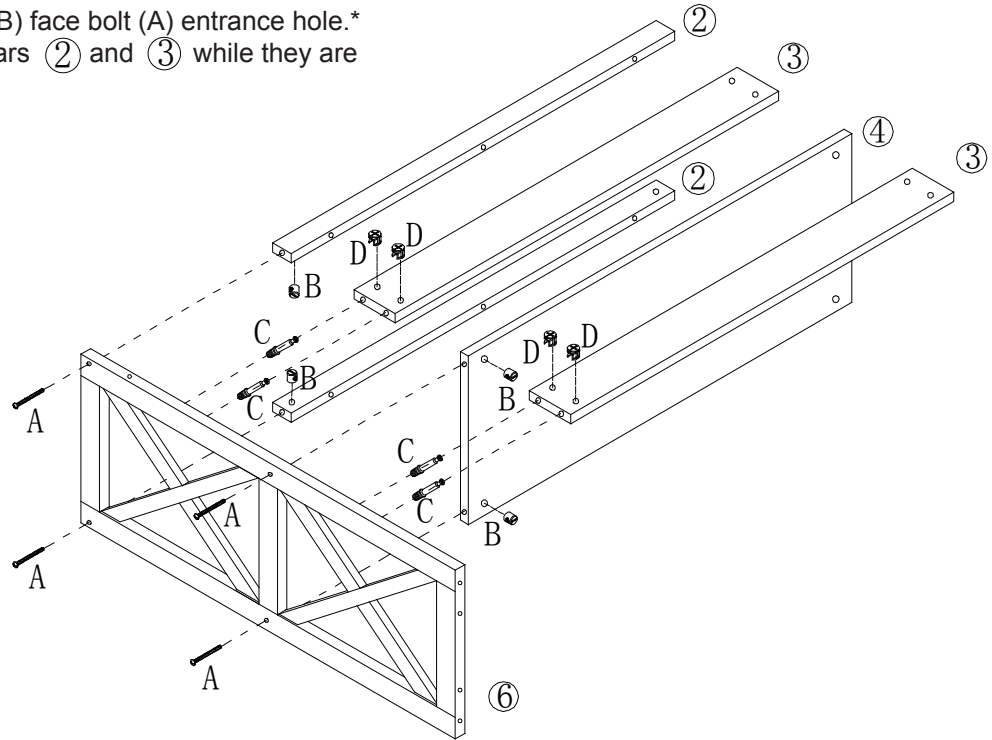
Note: Assemble unit on carpet or other soft surface to avoid scratching.

1. Screw Cam Bolts (C) into Top Right Panel ⑥ .
2. Attach Shelf ④ to Top Right Panel ⑥ using Bolts (A) and Lock Nuts (B).
3. Attach Top Support Bars ② to Top Right Panel ⑥ using Bolts (A) and Lock Nuts (B).
4. Attach Back Support Bars ③ to Top Right Panel ⑥ using Cam Bolts (C) and Cam Locks (D).

\*Make sure threads of lock nut (B) face bolt (A) entrance hole.\*

\*Take extra care with Support Bars ② and ③ while they are awaiting step 2.\*

4 X (A)	
4 X (B)	
4 X (C)	
4 X (D)	

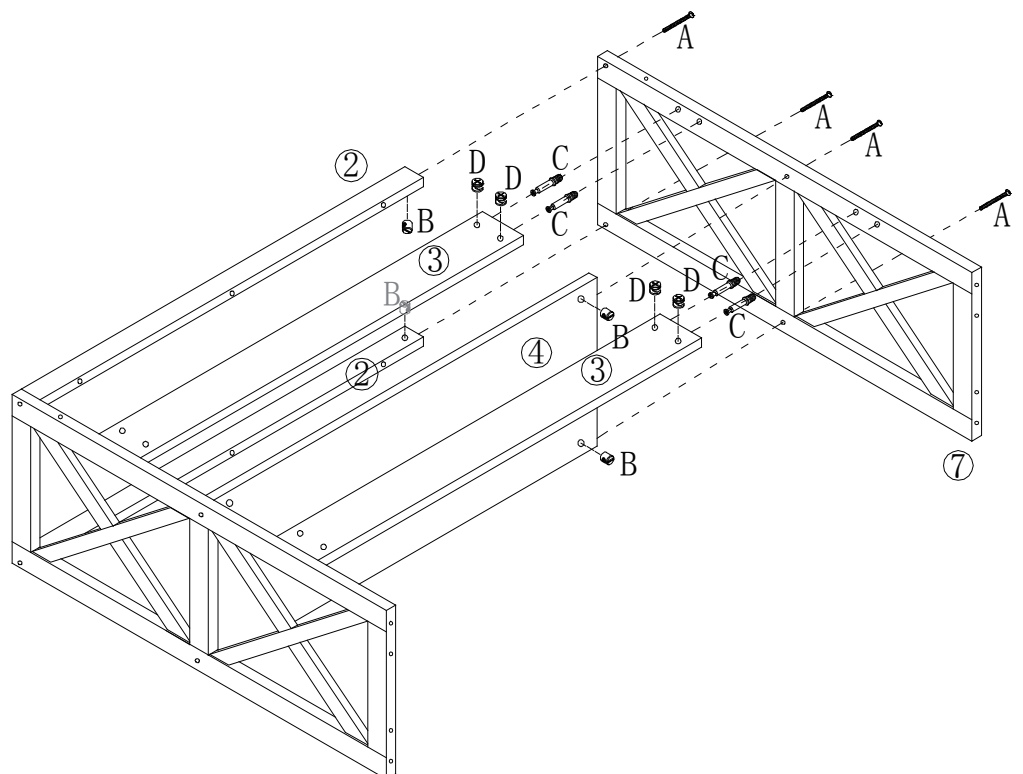


# Step 2

\*Refer to page 2 for cam lock/bolt assembly.\*

1. Screw Cam Bolts (C) into Top Left Panel ⑦ .
2. Attach Top Left Panel ⑦ to assembly using Cam Bolts (C), Cam Locks (D), Lock Nuts (B), and Bolts (A).

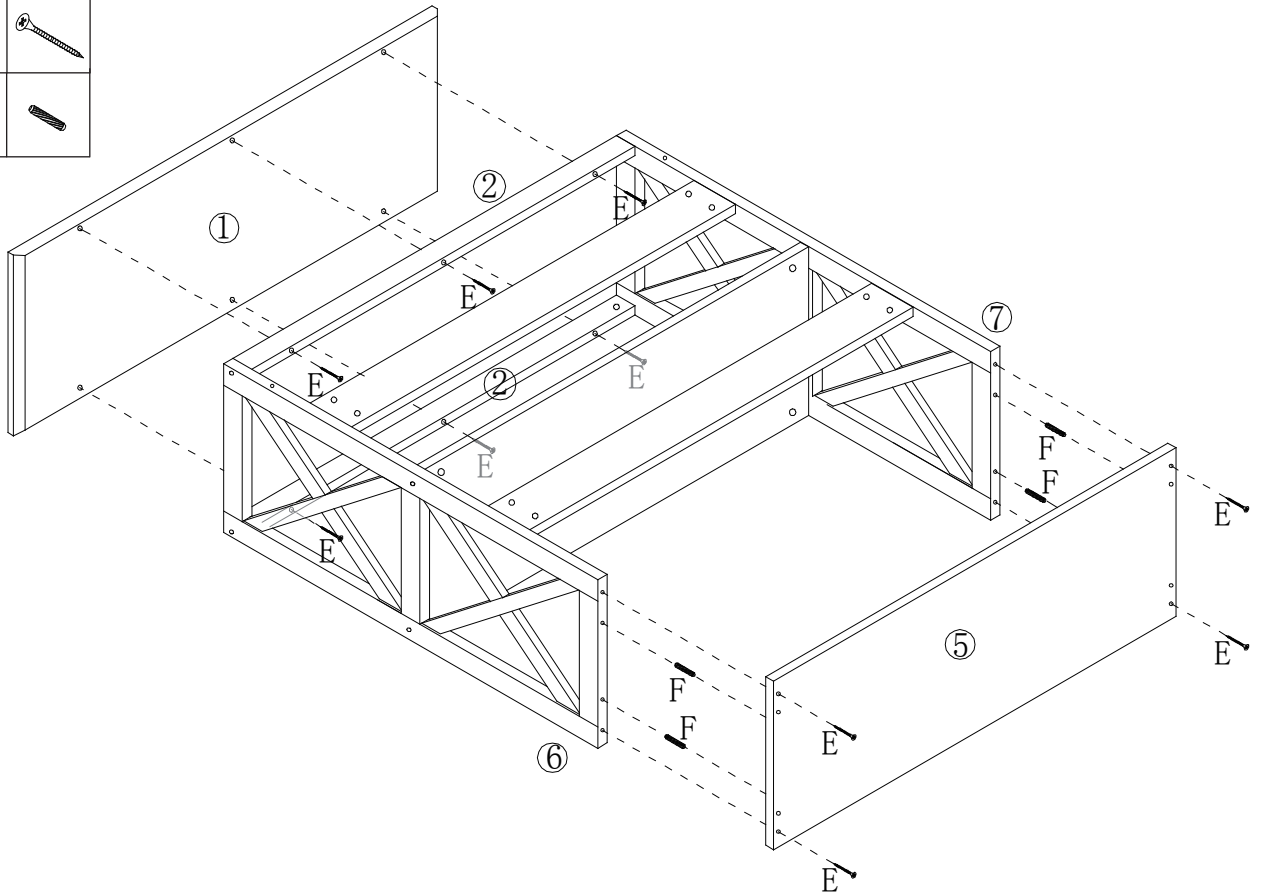
4 X (A)	
4 X (B)	
4 X (C)	
4 X (D)	



# Step 3

1. Insert Wooden Dowels (F) into Middle Panel ⑤ .
2. Attach Top Panel ① and Middle Panel ⑤ to assembly using Screws (E).

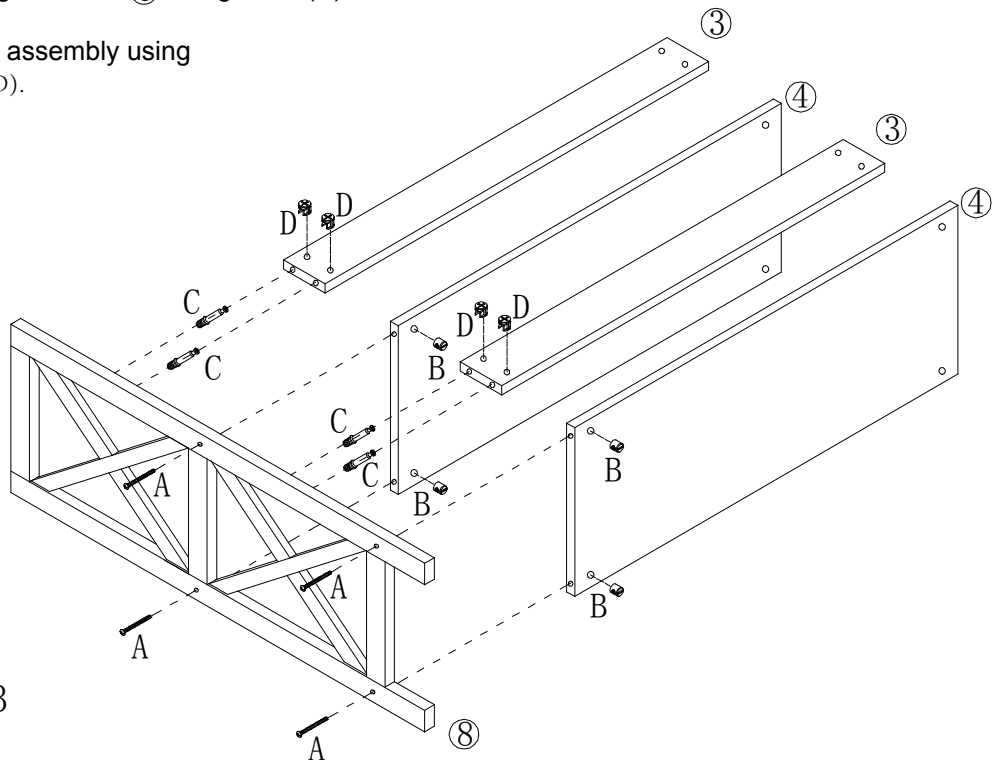
10 X (E)	
4 X (F)	



# Step 4

1. Screw Cam bolts (C) into Bottom Right Panel ⑧ .
2. Attach Shelves ④ to Bottom Right Panel ⑧ using Bolts (A) and Lock Nuts (B).
3. Attach Back Support Bars ③ to assembly using Cam Bolts (C) and Cam Locks (D).

4 X (A)	
4 X (B)	
4 X (C)	
4 X (D)	



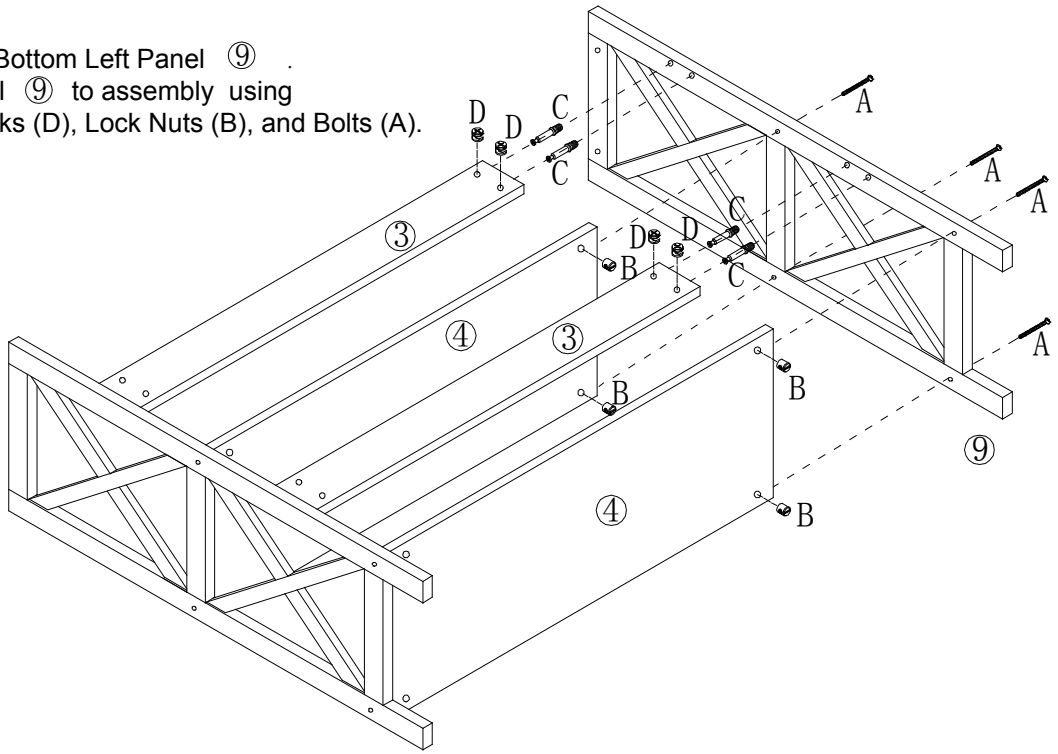
\*Take extra care with support Bars ③ while they are awaiting step 5.\*  
 \*Refer to page 2 for cam lock/bolt assembly.\*

# Step 5

\*Refer to page 2 for cam lock/bolt assembly.\*

1. Screw Cam bolts (C) to Bottom Left Panel ⑨ .
2. Attach Bottom Left Panel ⑨ to assembly using Cam Bolts (C), Cam Locks (D), Lock Nuts (B), and Bolts (A).

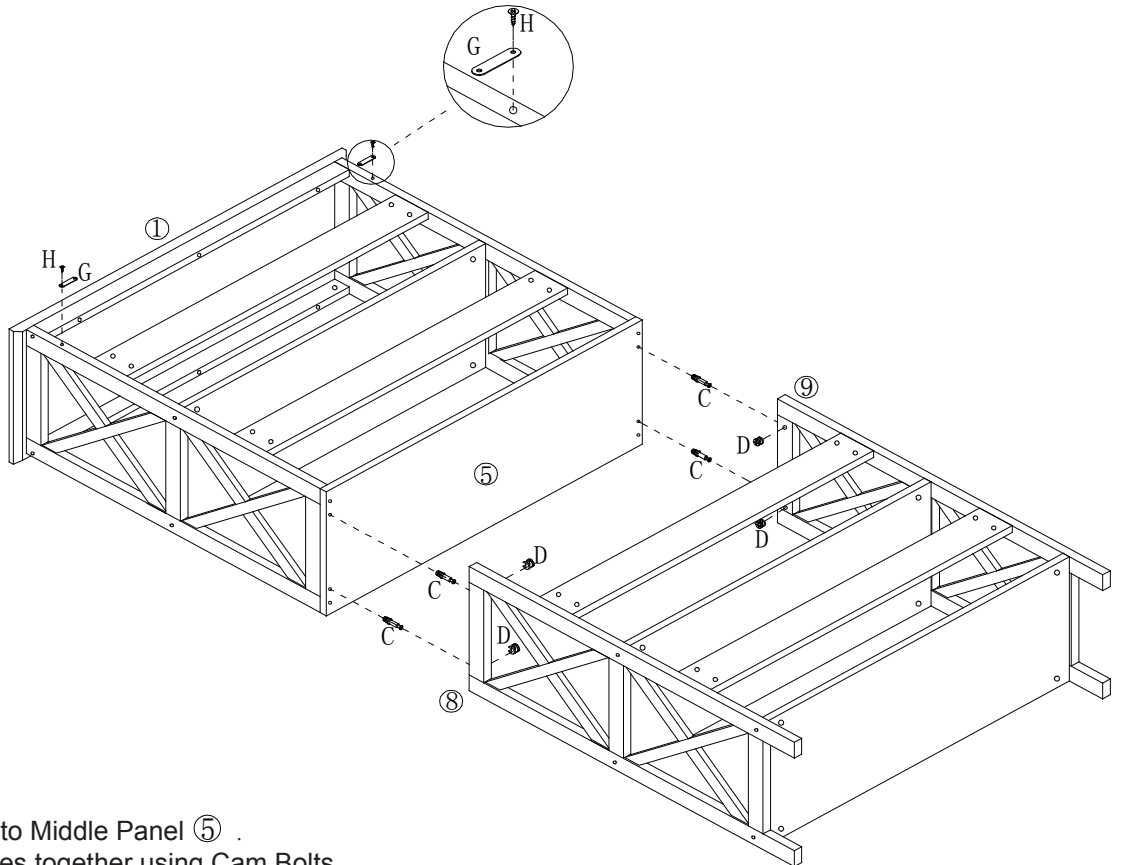
4 X (A)	
4 X (B)	
4 X (C)	
4 X (D)	



# Step 6




1. Screw Cam bolts (C) into Middle Panel ⑤ .
2. Connect the 2 assemblies together using Cam Bolts (C) and Cam Locks (D).
3. Attach Anti-Tip Bracket (G) to back of unit of using Screws (H).

4 X (C)	
4 X (D)	
2 X (H)	
2 X (G)	

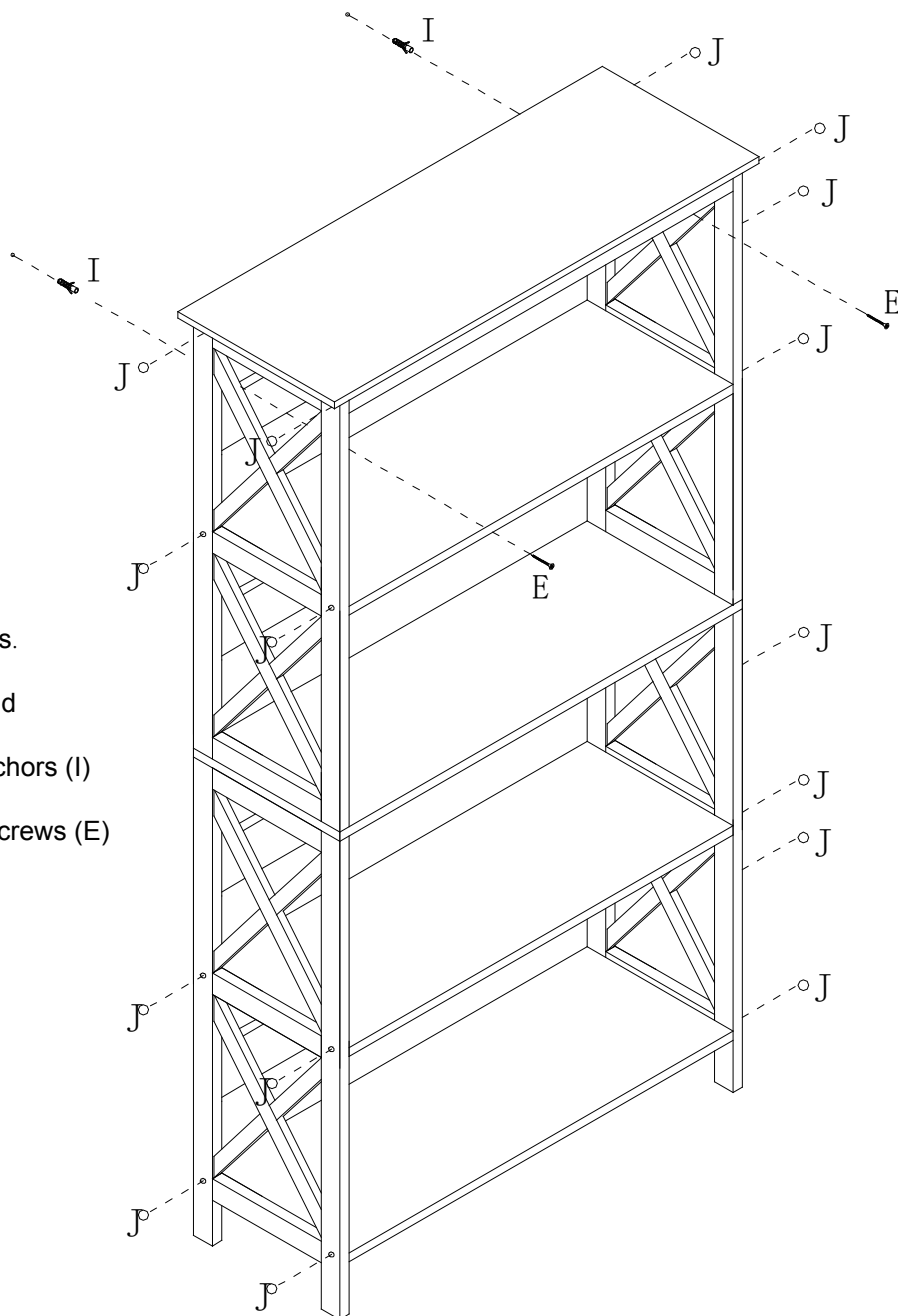


\*Panel ⑥ and ⑧ are joined together, and panels ⑦ and 9 are joined together.

# Step 7

2 X (E)	
2 X (I)	
16 X (J)	

- 1.If desired place Stickers (J) over bolt holes.
- 2.Place unit into desired location and mark Anti-Tip bracket's (G) holes with pencil and remove unit.
- 3.Drill holes into wall slight smaller than Anchors (I) and gently tap Anchors (I) into wall.
- 4.Reposition unit and fasten to wall using Screws (E) and Anti-Tip brackets (G).



If using optional Anti-Tip bracket,fasten to wall from underside of unit top.