

Lakeland

Model # 5866

Lakeland 16in Square Planter



DESCRIPTION

The Mayne Lakeland planter has the look of wood without the upkeep. Molded from high-grade polyethylene, this planter offers a classy choice for your outdoor décor needs. Long-lasting beauty, durability and quality. Built-in water reservoir encourages healthy plant growth by allowing plants to practically water themselves.

- Creates a beautiful coastal appeal
- 100% high-grade polyethylene planter with UV inhibitors
- Weather resistant, low maintenance material
- Double wall design featuring a sub-irrigation water system
- Warranty: 15-Yr Residential Use / 5-Yr Commercial Use

PRODUCT DIMENSIONS

Outside Dimensions: 16in L x 16in W x 16in H (40.6cm x 40.6cm x 40.6cm)

Inside Dimensions: 12.1in L x 12.1in W x 11in D (30.7cm x 30.7cm x 27.9cm)

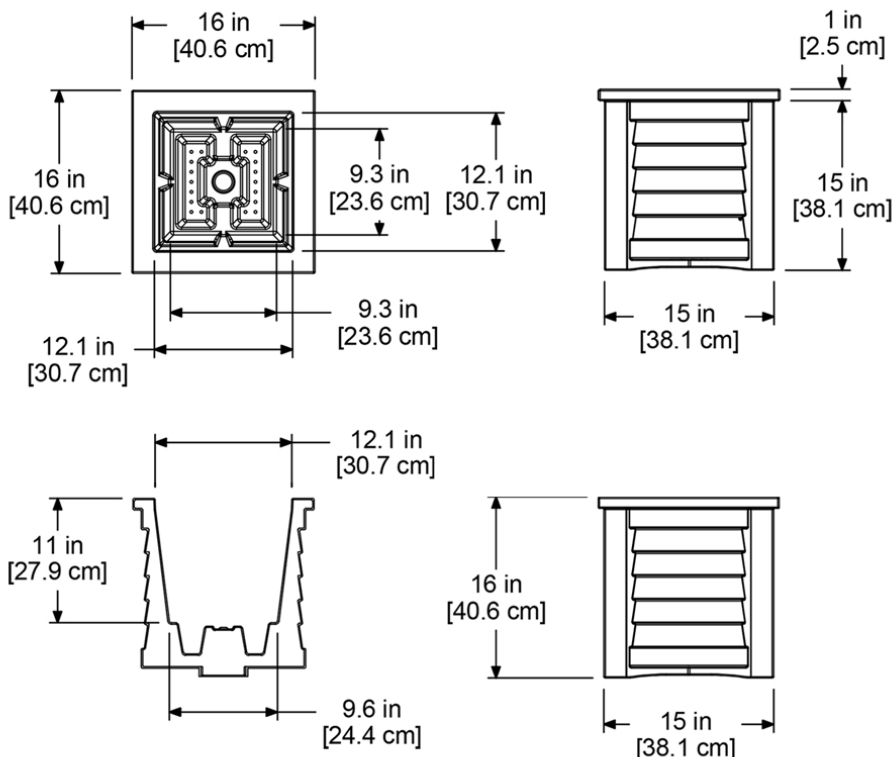
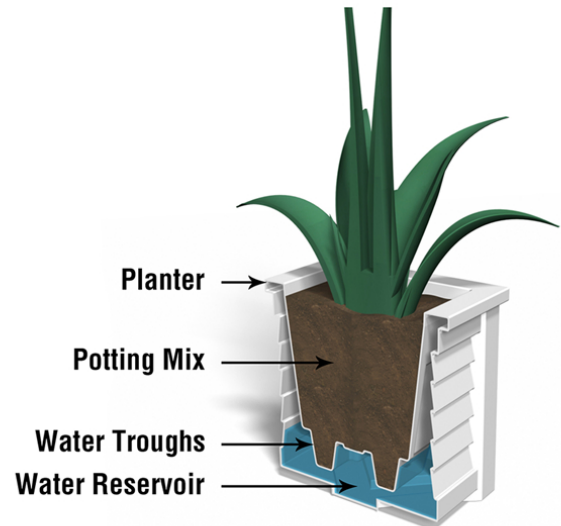
Soil Capacity: 5 Gallons (19 Liters)

Water Reservoir Capacity: 3 Gallons (11.3 Liters)

Wall Thickness: 0.11in (2.8mm)

Part Weight: 8.3lbs (3.8kg)

Material: Polyethylene



MAYNE[®]
Outdoor Products of Distinction

7024 Kilbourne Rd - Unit A London, ON N6P 1K6
Tel: 866-363-8834 | www.gomayne.com
customerservice@gomayne.com