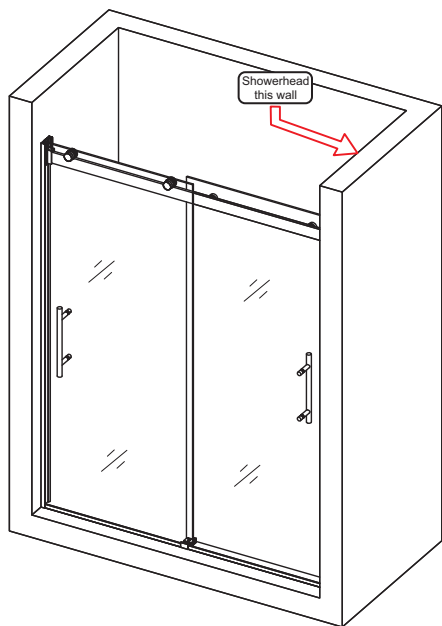




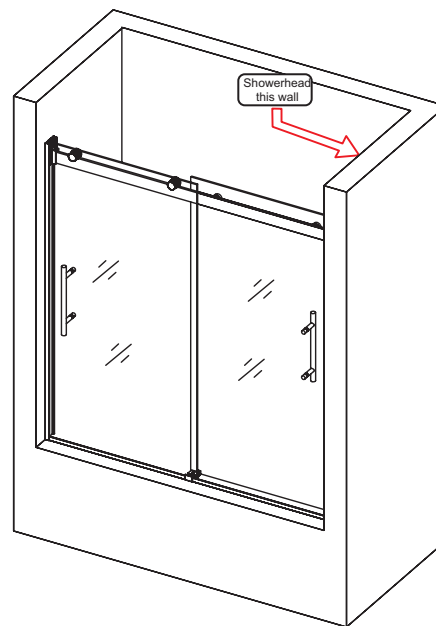
HOLCAM

BATH & SHOWER ENCLOSURES

Installation Manual



MODEL: L2BSE Shower



MODEL: L2BTE Tub

Installation
Video
(scan me)



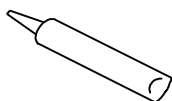
NOTE:

- Installation procedures are the same for tub or shower height units
- The images in this manual show an arrangement with the showerhead to the right. The same instructions apply for the opposite orientation where the examples would be reversed.

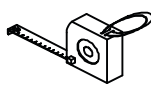
REQUIRED TOOLS



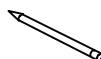
Soft Cloth
or Blanket



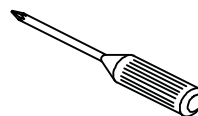
100% Silicone



Tape
Measure



Pencil



Phillips
Screwdriver



Drill Bit
($\varnothing=5/16"$)



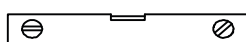
Drill Bit
($\varnothing=3/8"$)



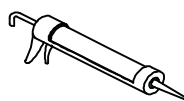
Painters Tape



Safety Glass



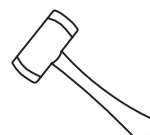
Level



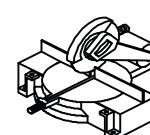
Caulk Gun



Drill



Mallet



Miter Saw
or Hacksaw

OTHER TOOLS MAY BE REQUIRED

READ ENTIRE MANUAL BEFORE INSTALLATION AND OPERATION

Warnings and General Shower Door Information



**SAFETY
WARNINGS:**



READ AND FOLLOW INSTRUCTIONS: Failure to follow all instructions, warnings and guidelines may result in serious injury or death, may cause water damage, and will void the terms of your warranty.

General Safety and Installation Policies

Before Installation:

- **Proper Size:** Ensure the enclosure is the proper size for your opening prior to beginning installation.
- **Safe Installation:** Some units may require two or more people to safely install the enclosure properly.
- **Packaging:** It is recommended to retain all packaging and other materials until installation is complete in the event of a return.
- **Inspect:** Installer should inventory all parts or components and inspect them for damage prior to beginning installation.
- **Sharp Edges:** Exposed ends of aluminum and other hard components can be rough, sharp or jagged due to the processes of cutting, drilling, notching, etc. Sharp ends must be deburred, smoothed or rounded by the installer before installation.
- **Safety equipment and tools:** Have all necessary safety equipment (glasses and gloves) and proper tools for the installation. The installer is responsible for determining the correct drill bit(s) for the installation.
- **New Tile:** We recommend that you allow at least 2 days (48 hours) for the tile cement and grout to dry before installing enclosure.

During Installation



- **Proper backing:** Shower doors are heavy. Therefore, glazing channels, fillers, hinges and headers blocks (structural components) should be secured to studs or solid backing beneath the tile or decorative substrate. Fasteners should screw directly into the backing. Wall anchors are provided primarily to separate screws from tile to reduce the possibility of cracking.
- **Tempered glass:** Glass can break. Shower door panels are tempered to ASTM C1048 specifications as required by building codes. Glass is tempered to greatly increase its strength and to make it fragment into smaller and lighter pieces reducing the possibility of injury in the event that the glass does break. Tempered glass will break and may cause bodily injury if you attempt to cut, drill, mill or alter it in any way. Care must be taken when handling tempered glass. Pay special attention to protect all edges of the glass from contact with hard surfaces.
- **Horizontal surfaces and installation holes:** Avoid drilling into the horizontal surfaces of tubs or showers unless it is required for the structural integrity of the unit. If you drill into horizontal surfaces, always generously caulk the holes, anchors, screws and on top of the screw head. If this is not done, or is done improperly, water damage can occur under the tile or substrate.
- **Weep holes in horizontal channels:** Drilling 3/8" weep holes on the inside of horizontal channels is recommended to allow any moisture build-up inside a channel to exit the channel. Due to varying installation conditions and installer's/owner's personal preference, however, we do not drill them in the factory.
- **Sliding and swinging glass doors:** A door may be improperly installed if it hits or scrapes against bathroom obstructions (toilets or cabinets) or any metal or glass components of the shower door itself. This could lead to glass breakage or serious injury. The installer must correct the deficiencies before allowing the door to be used.
- **Surface conditions:** Most shower door designs allow for out-of-square or unlevel installation. Generally, any outage more than 3/8" that was not identified during the ordering process is outside of these allowances and can result in an improper installation.

Caulking/Siliconing the Unit:

- Always clean all contact surfaces before caulking and use a high grade 100% silicone for best results.
- After installation, at a minimum, caulk the entire outside perimeter of the unit where the unit touches walls, sills, and step-ups, etc. Also caulk any vertical joints between metal components where water build-up inside of the channels could leak out.

After Installation:

- **Curing times:** Adhere to manufacturers' recommended curing times for VHB tapes, silicones and any other adhesives, coatings or chemicals used during installation. Unless otherwise stated, it is recommended to wait 72 hours before using the enclosure.
- **Normal wear and tear:** Although these enclosures are designed to last for years, certain items (such as the polycarbonate seals and door sweeps) may need to be replaced as they show signs of aging and wear.

General Disclaimers

- **Shower Doors are not watertight:** Consumers should understand that a shower door is not watertight. The amount of water that can escape your shower can vary greatly based on shower/tub size, configuration of shower head(s), type of thresholds and drains and by the type of shower door itself. Heavy glass units with no or limited vinyl seals, for example, can allow water to escape under normal conditions. Doors with more metal and seals generally provide more water protection. Excessive water pressure or directing shower heads or hand held sprays directly at doors or joints is not a normal shower conditions and can result in leaks.
- **Towel bars, handles and accessories** are in no way considered to be grab bars or other bracing or fall prevention mechanisms. The intent of these accessories is to facilitate proper operation or enhance the esthetics and functionality of the unit.

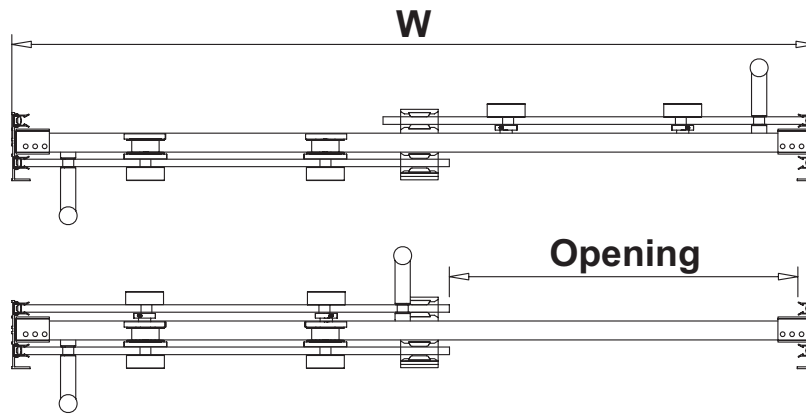
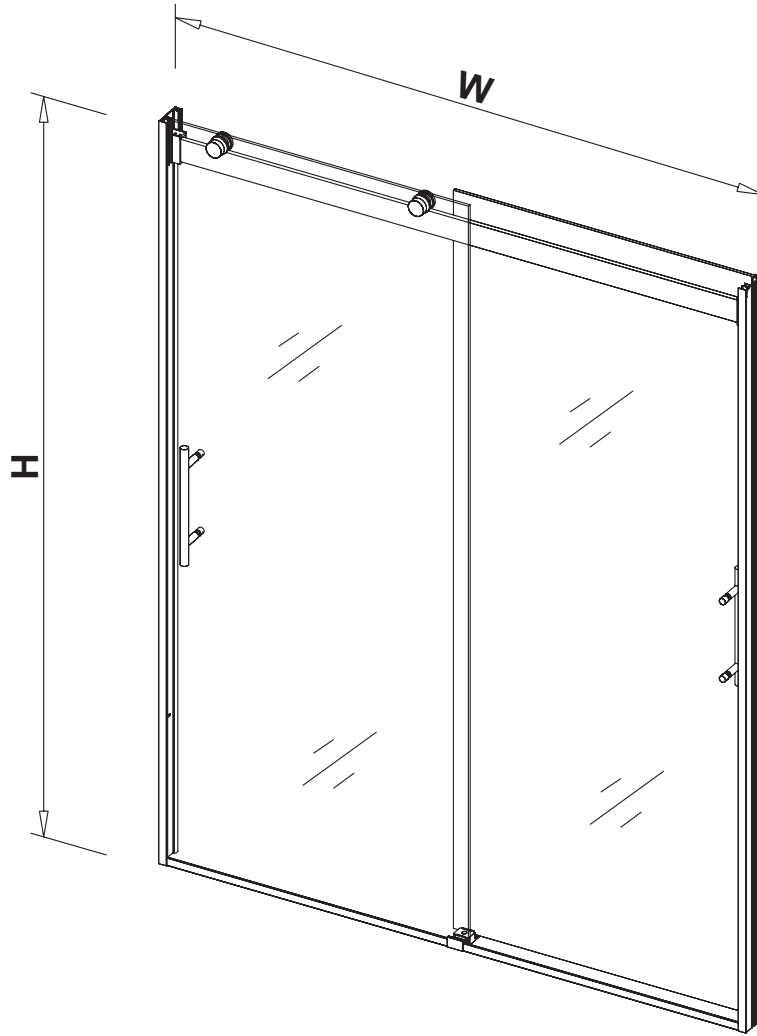
Owners Manual:

Refer to your Owners Manual for general installation and cleaning and care instructions. If a copy of the Owners Manual was not included, you can download one on the RESOURCES page of our website.

Questions or Comments:

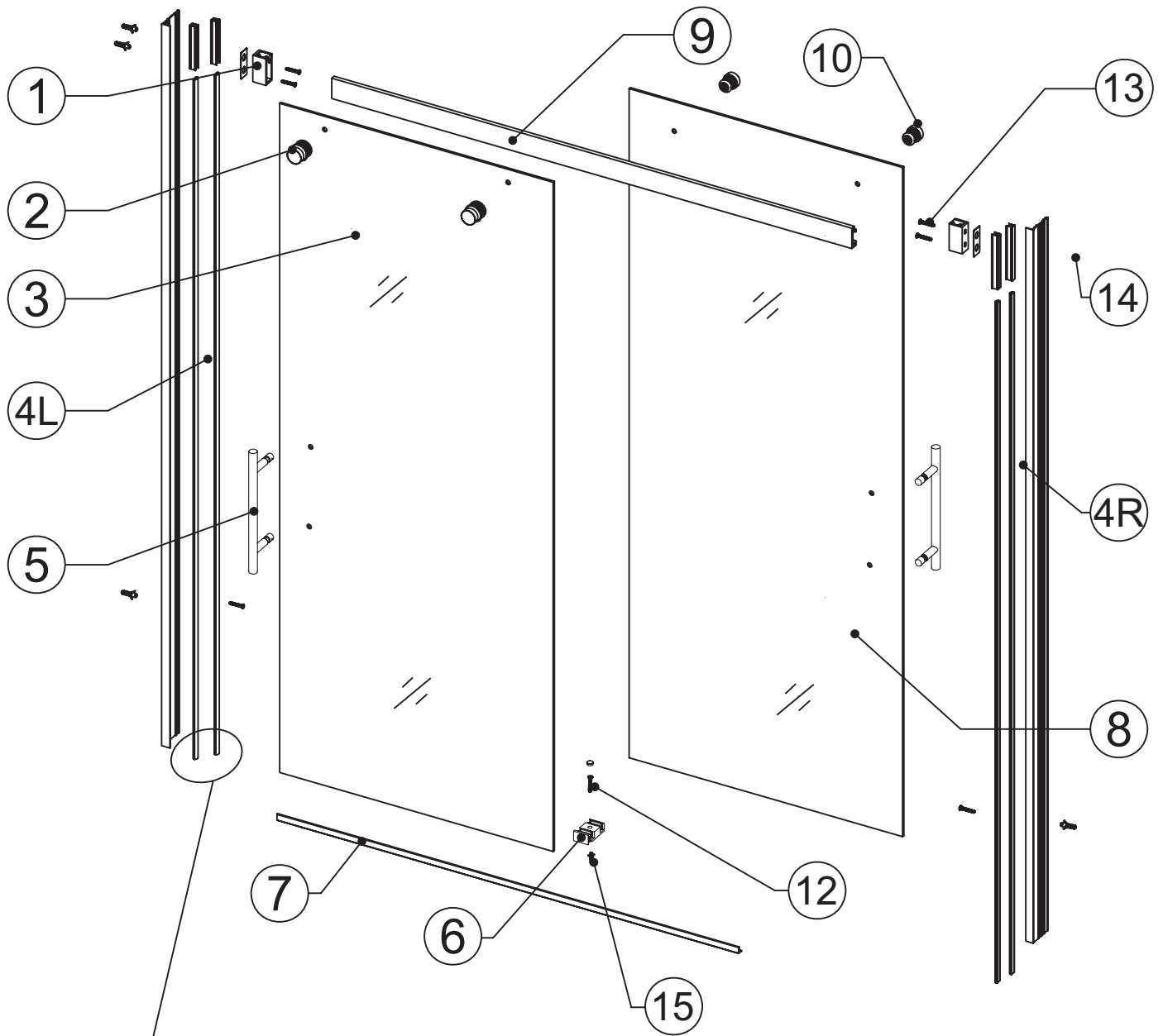
1-800-843-3332

Sizing Guide

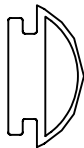


	Fits Widths (W)	Clear Opening	Height (H)
LBSE 60 x 76	56"-60"	24"-28"	76"
LBSE 48 x 76	44"-48"	18"-22"	76"
LBTE 60 x 76	56"-60"	24"-28"	60"

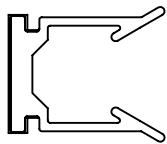
Exploded View



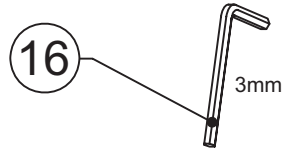
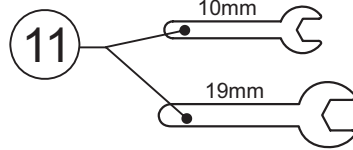
NOTE Four vinyl inserts come pre-inserted into the wall profiles



VN.4309.CLR.076

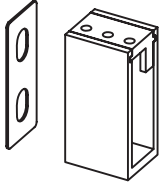


HA.3313.NTL



Parts List

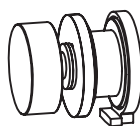
1



Header Bracket
HA.3311

x2

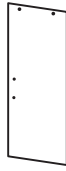
2



Outside Roller
HA.3301

x2

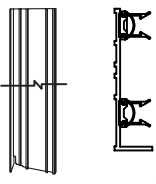
3



Outside Glass Door
GL.CLR.L2BSE-24 7/8x75-3/8-V1
GL.CLR.L2BSE-30 7/8x75-3/8-V1
GL.CLR.L2BSE-30 7/8x59-3/8-V1

x1

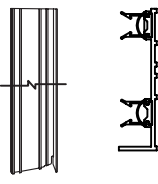
4L



The Left Wall Profile
HA.3305

x1

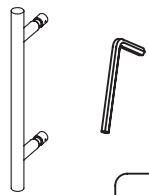
4R



The Right Wall Profile
HA.3305

x1

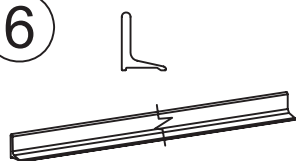
5



Handles
HA.2709

x2

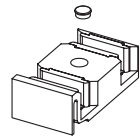
6



Splash Guard
HA.3207

x1

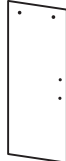
7



Bottom Guide
HA.3312

x1

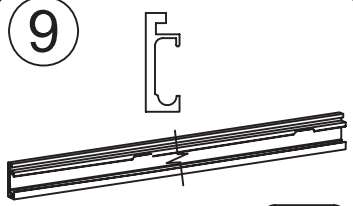
8



Inside Glass Door
GL.CLR.L2BSE-24 7/8x75-3/8-V2
GL.CLR.L2BSE-30 7/8x75-3/8-V2
GL.CLR.L2BSE-30 7/8x59-3/8-V2

x1


9



Header
HA.3303

x1

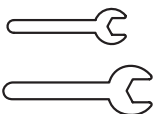
10



Inside Roller
HA.3302

x2


11



10mm and 19mm Wrench
BP.5015

x2


12



Screw M4x30
BP.5015

x1

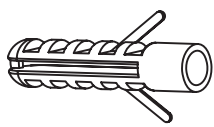
13



Screw M5x60
BP.5015

x6


14



Ø5/16" Wall Anchor
BP.5015

x6


15



Ø1/4" Wall Anchor
BP.5015

x1

16



3mm Hex Key
HA.2709

x1

NOTE

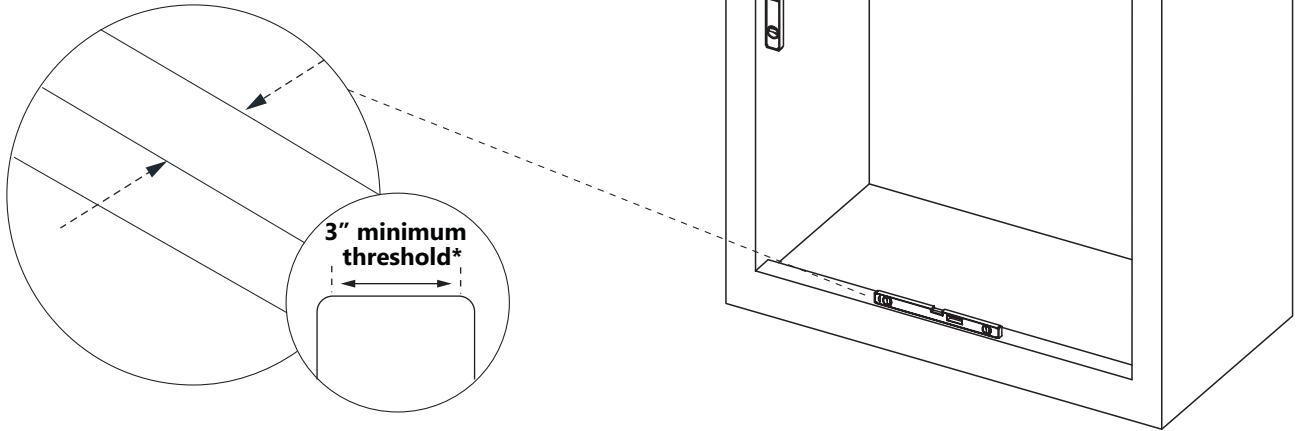
The 3mm Hex Key is located in the box with the Handles (5)

Model Specific Instruction

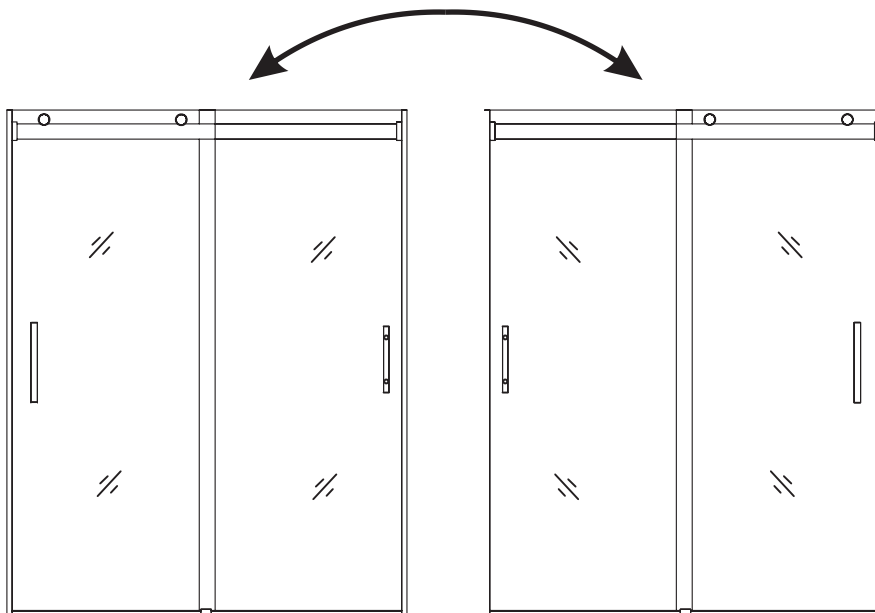
1/2" Out-of-Plumb adjustment per side.

Threshold must be level within 1/4".

Verify walls and threshold with a level to ensure proper fitment.

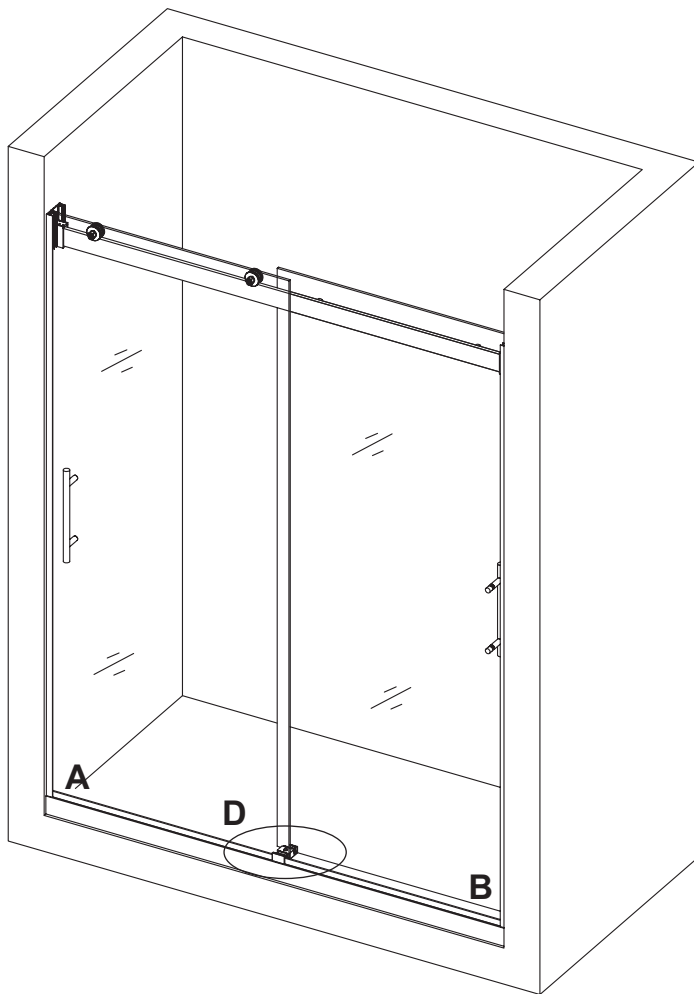


*If threshold is below 3" see **Alternate D Detail** on page 6.

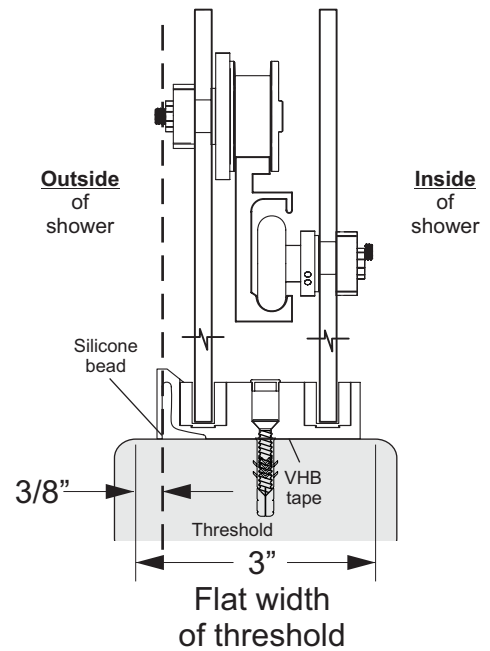


This model is reversible for right-hand or left-hand door installation. The right-hand door installation is shown as an example throughout this manual. For the left-hand door installation, simply begin on the opposite wall and reverse the orientation of the steps shown.

Guideline Placement



Detail D
Typical
Bottom Guide



Threshold Guideline (A to B)

The “flat width” of the threshold does not include rounded edges. Measure 3/8” from the front of the threshold to the back, this will be the Threshold Guideline for the front of the splash guard. Draw this line from A to B and record the distance.

Bottom Guide (Detail D)

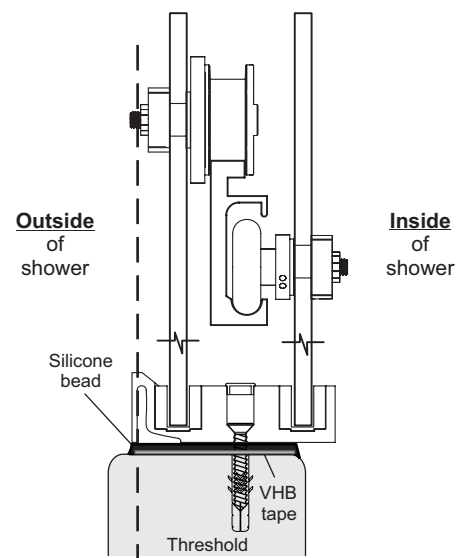
The center guide will extend approximately 3” behind the Threshold Guideline (A to B). This can deviate somewhat due to adjustments made during installation.

Alternate Detail D:

if the “flat” is less than approximately 3”, the center guide may hang over the back. This is common for many molded shower pans. If needed you can use a high quality VHB tape and silicone to reinforce the center guide as shown to the right.

Alternate Detail D

Overhanging
Bottom Guide



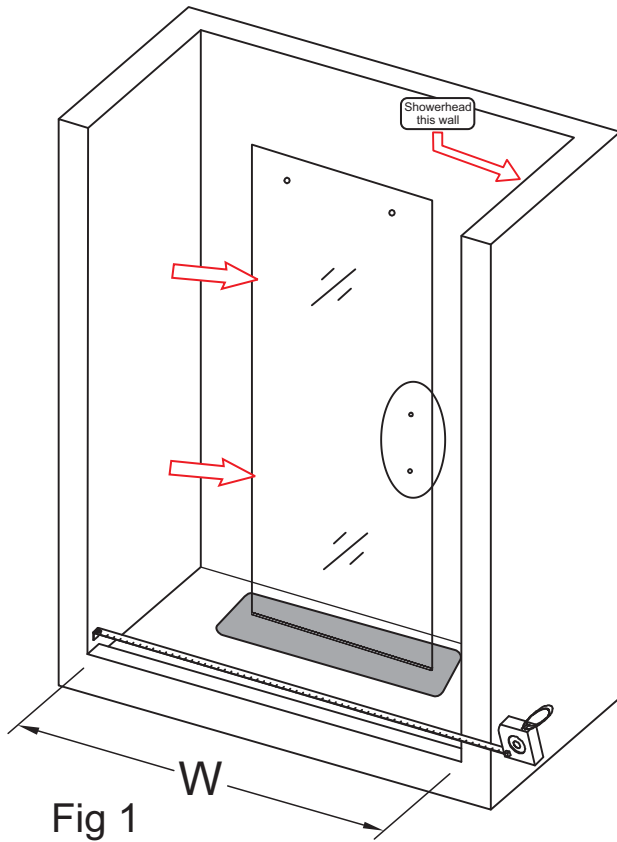
Sealing Screws and Anchors:

Follow these steps when drilling, anchoring or screwing into a vertical, horizontal or sloped surface of a tub, shower, wall or ceiling, otherwise **moisture damage can occur:**

1. Drill hole and evacuate all debris
2. Insert silicone into the hole

3. If using an anchor:
 - a. Insert anchor (cut anchor shoulder off if it interferes with part being attached)
 - b. Insert silicone into anchor and any open gaps
4. Position part over hole/anchor, insert screw and tighten
5. Apply silicone around diameter of screw head and over the top of the screw

Install Splash Guard



1. Place the Inside Shower Door (8) inside the shower on a soft mat or piece of cardboard.

NOTE: the handle holes face the shower head wall.

Then, measure the distance between two finished walls. This distance is marked as W in the figure.

Cut the Splash Guard (6) to

Please see Fig 1 for details:

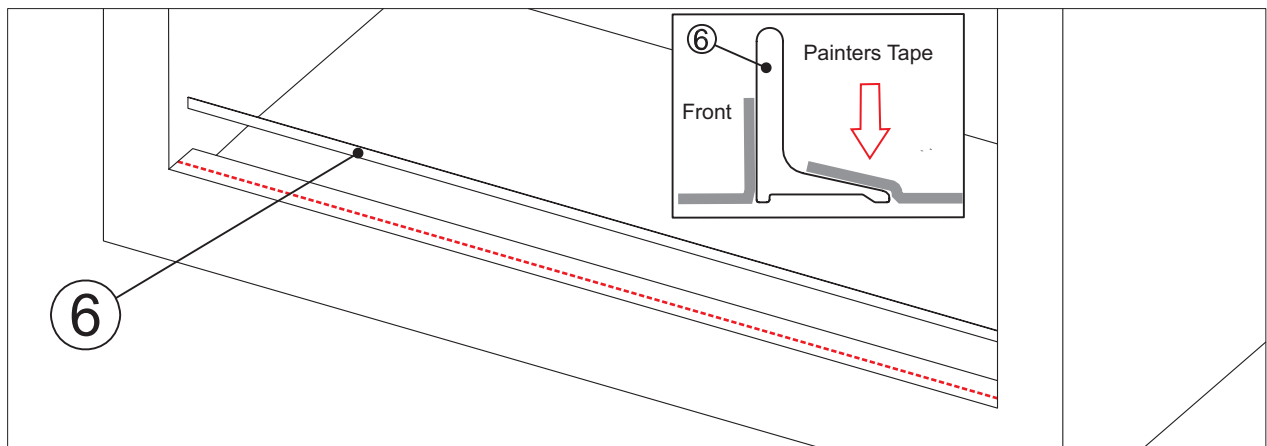


Fig 2

2. Draw a guideline 3/8" from the front of the shower threshold according to the instructions on page 6. Place the front of the Splash Guard (6) along this guideline, then secure the Splash Guard with short strips of painters tape.

Please see Fig 2 for details

Install Wall Jambs

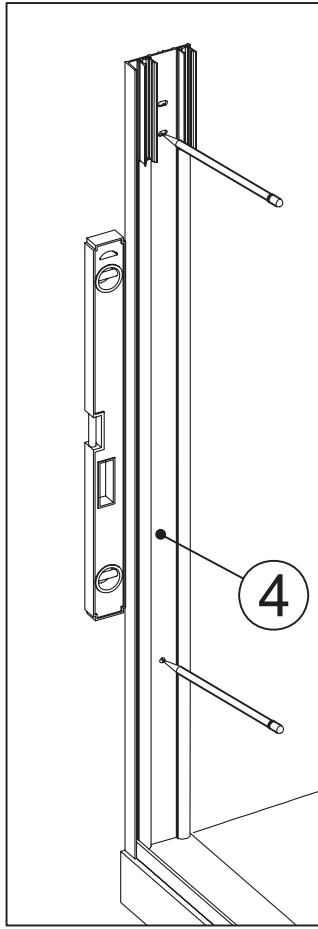
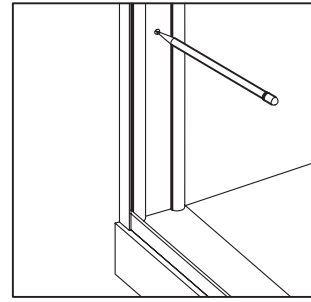
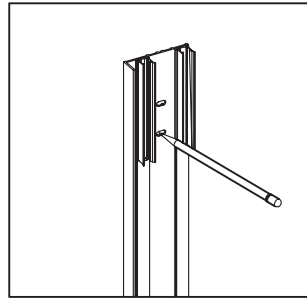


Fig 3



3. Place the Left Wall Profile (4L) and the Right Wall Profile (4R) against the two walls, make sure that the Wall Profiles are vertical to the floor.

NOTE: Refer to the "Proper Backing" bullet on Page 2.



Mark down the predrilled holes on the Wall Profiles.

Please see Fig 3 for details

4. Drill the holes in the wall using a 3/8" drill bit and apply silicone sealant into the holes, insert the 5/16" Wall Anchors (14).

Please see Fig 4 for details

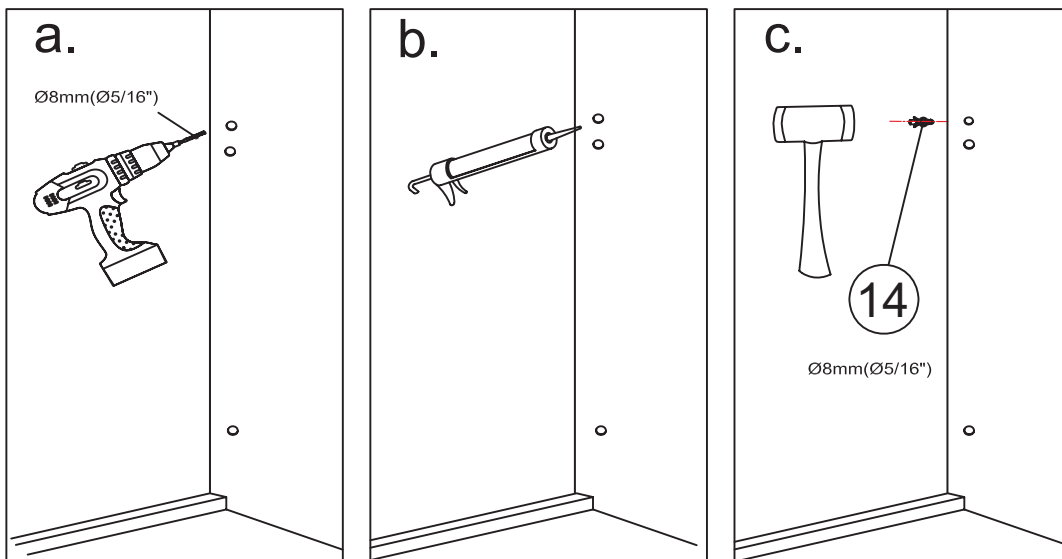


Fig 4

Install Header Brackets

5. Secure the Wall Profiles (4R)(4L) and the Header Brackets (1) to the walls with M5x60 Screws (12).

Note: colored screws go in bottom holes

Remember to apply the adhesive clear plastic Header Bracket Seal to back of Header Bracket

The slots in the Wall Profiles (4R)(4L) and the Header Brackets (1) allow for adjustability.

When installing these components, ensure the heads of the screws are in the middle of the slots. Adjustments may be required in step 6.

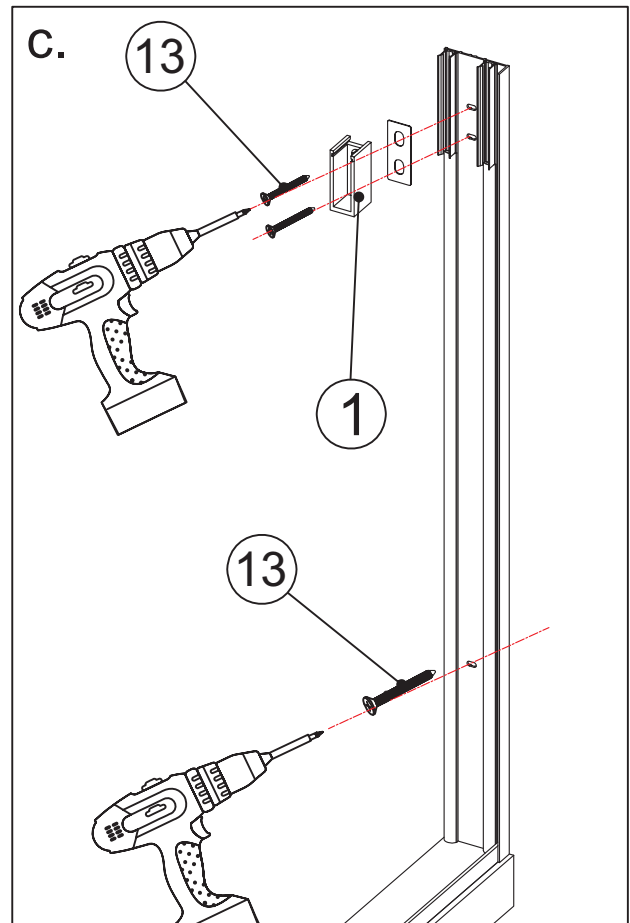
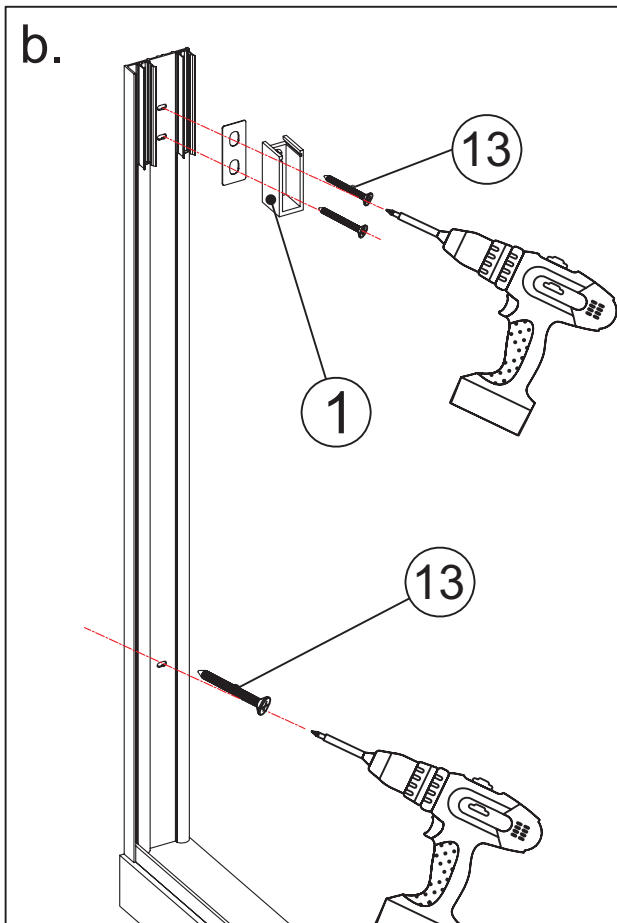
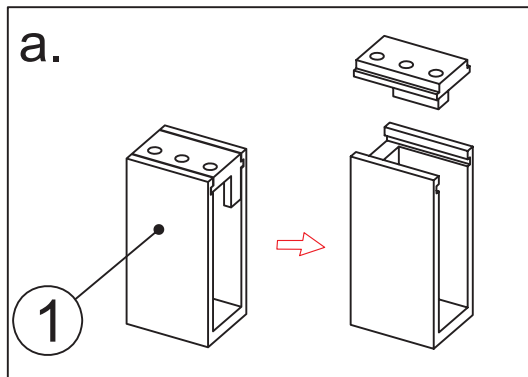
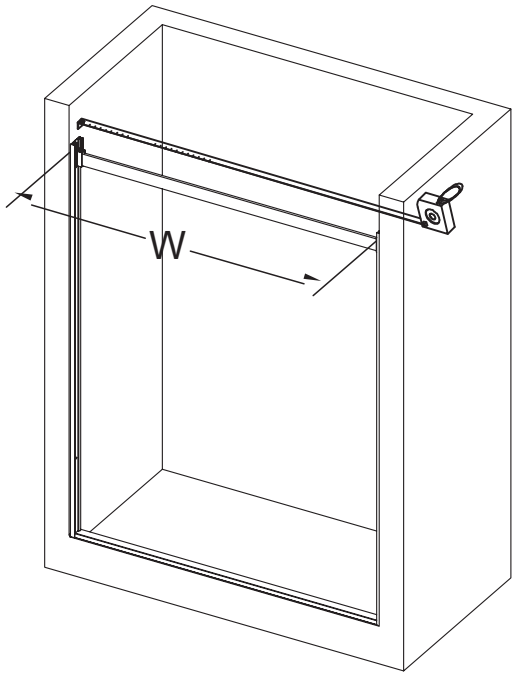


Fig 5

Install Header



6. Measure from wall to wall at the height of the Header Brackets (1). Cut Header (9) to $W - 1\frac{1}{2}$ " and insert into Header Brackets (1).

Please see Fig 6 for details

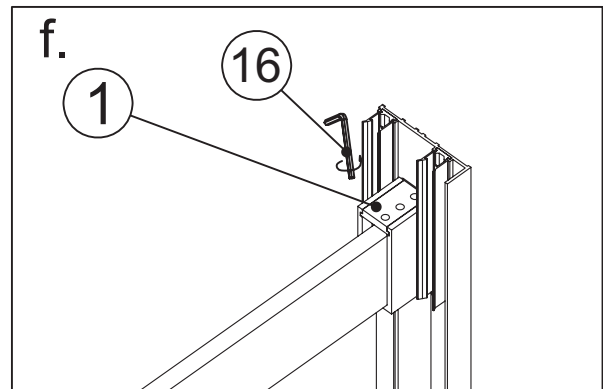
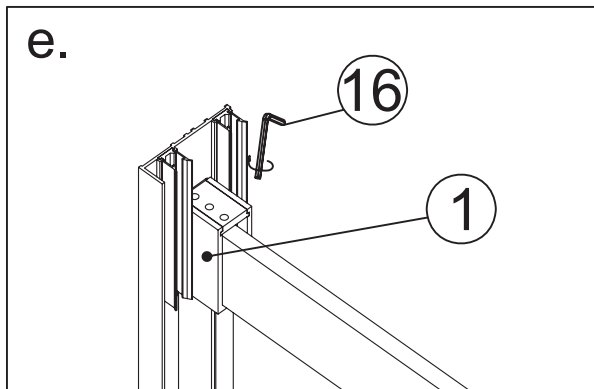
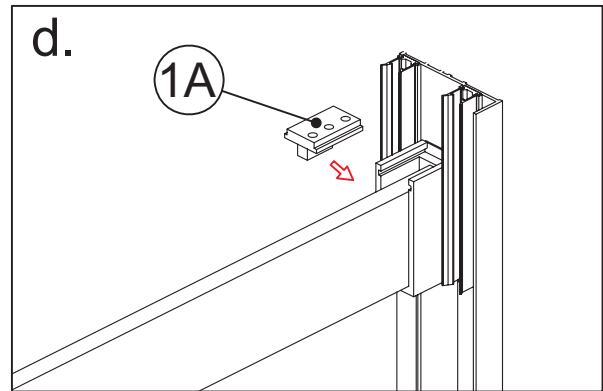
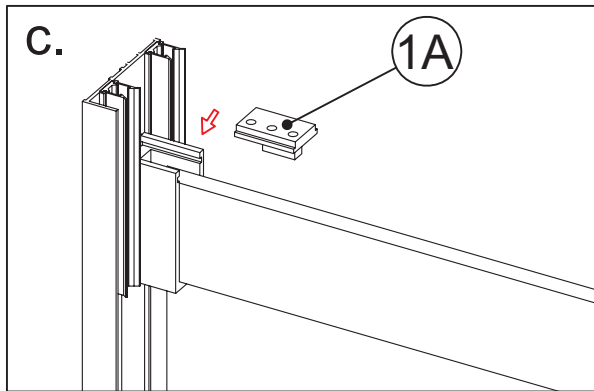
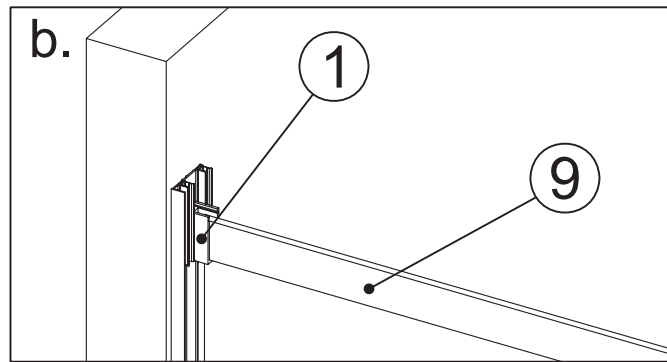
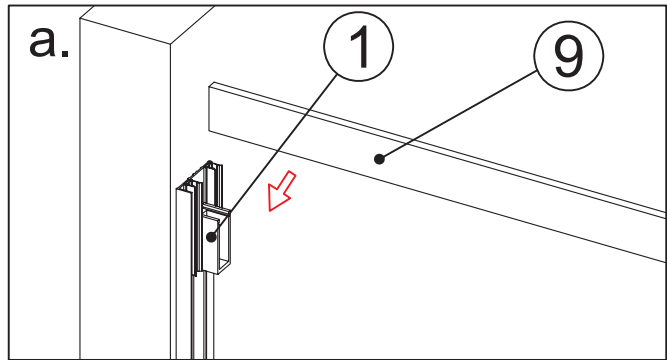


Fig 6

Level the Header

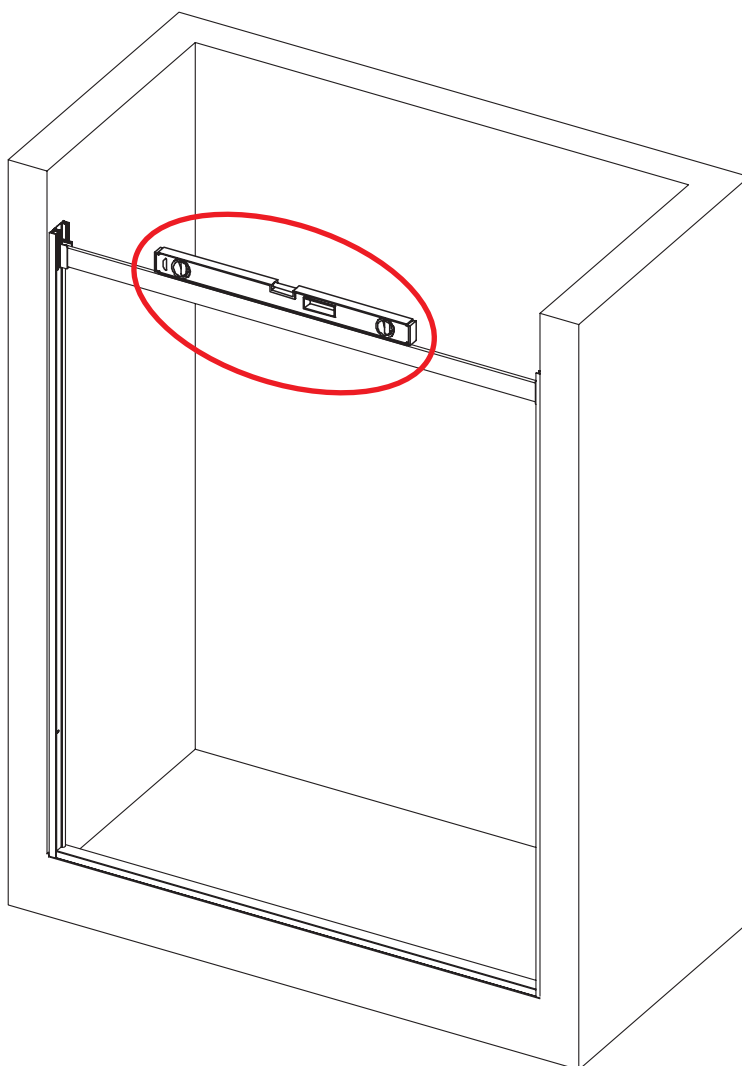
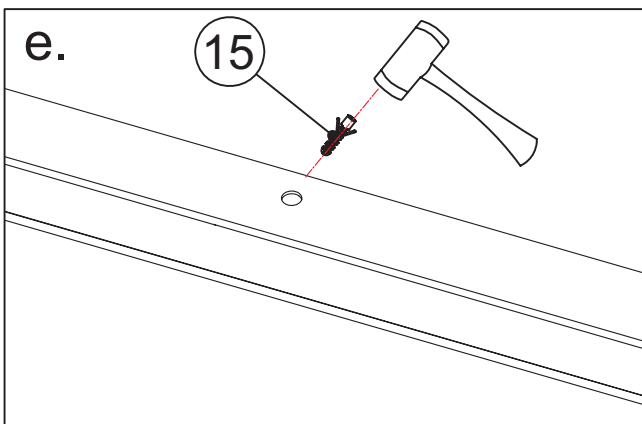
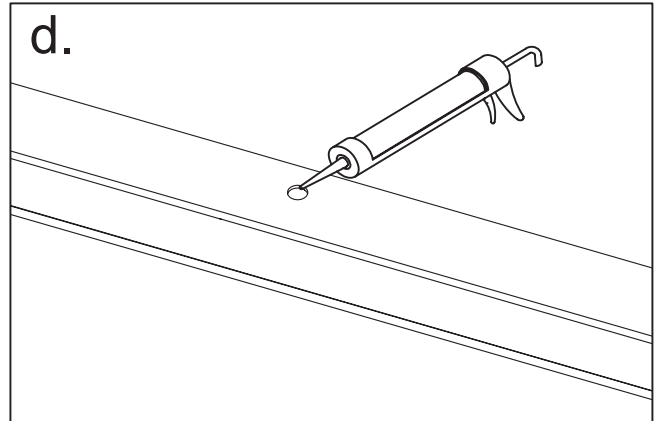
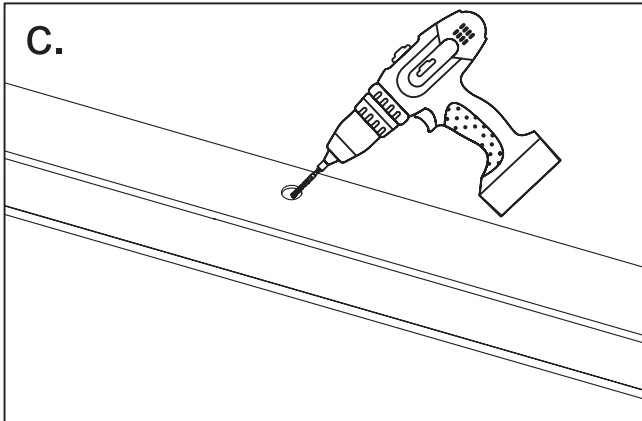
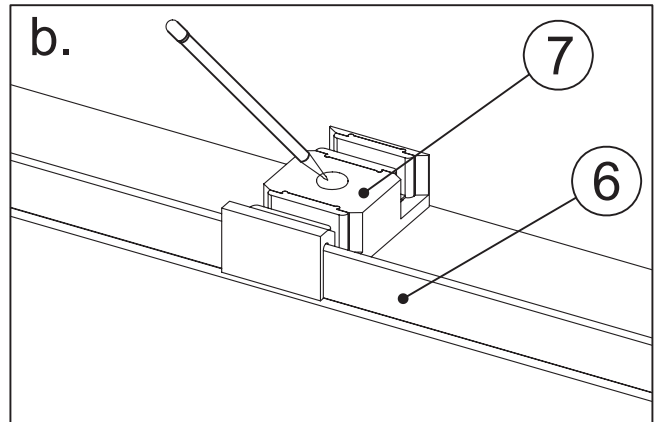
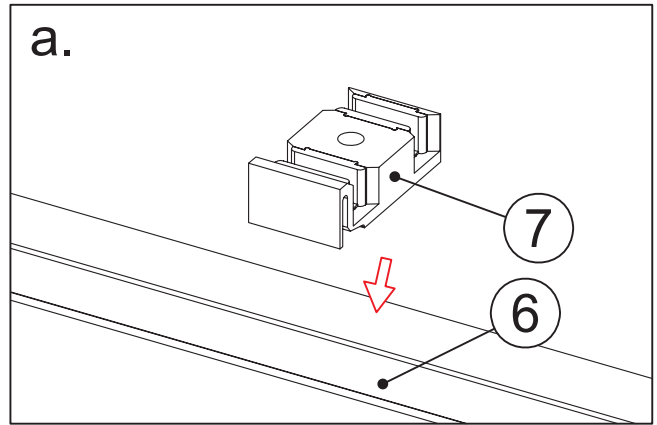
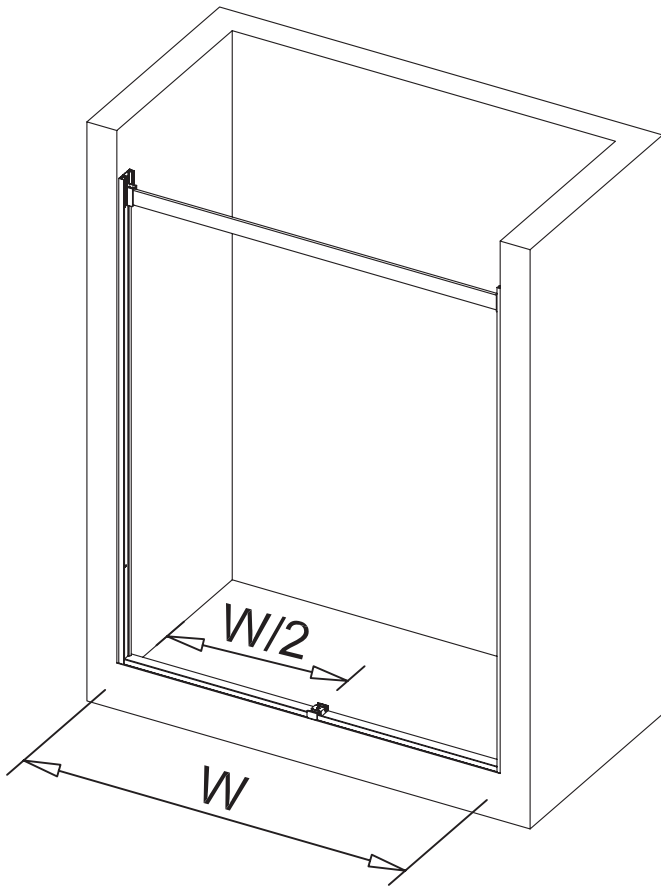


Fig 7

7. Ensure that the Header (9) is level. If an adjustment needs to be made, return to step 5 and use the slots in the Header Block (1) and Wall Profiles (4) to fix alignment.

Please see Fig 7 for details

Install Center Guide



8. Place the Bottom Guide (7) to the Splash Guard (6), now mark down the hole on the Bottom Guide (7). Drill the hole in the Splash Guard with a 5/16" drill bit and apply silicone into the hole, and then insert the 1/4" Wall Anchor (15).

Please see Fig 8 for details

Fig 8

Install Center Guide

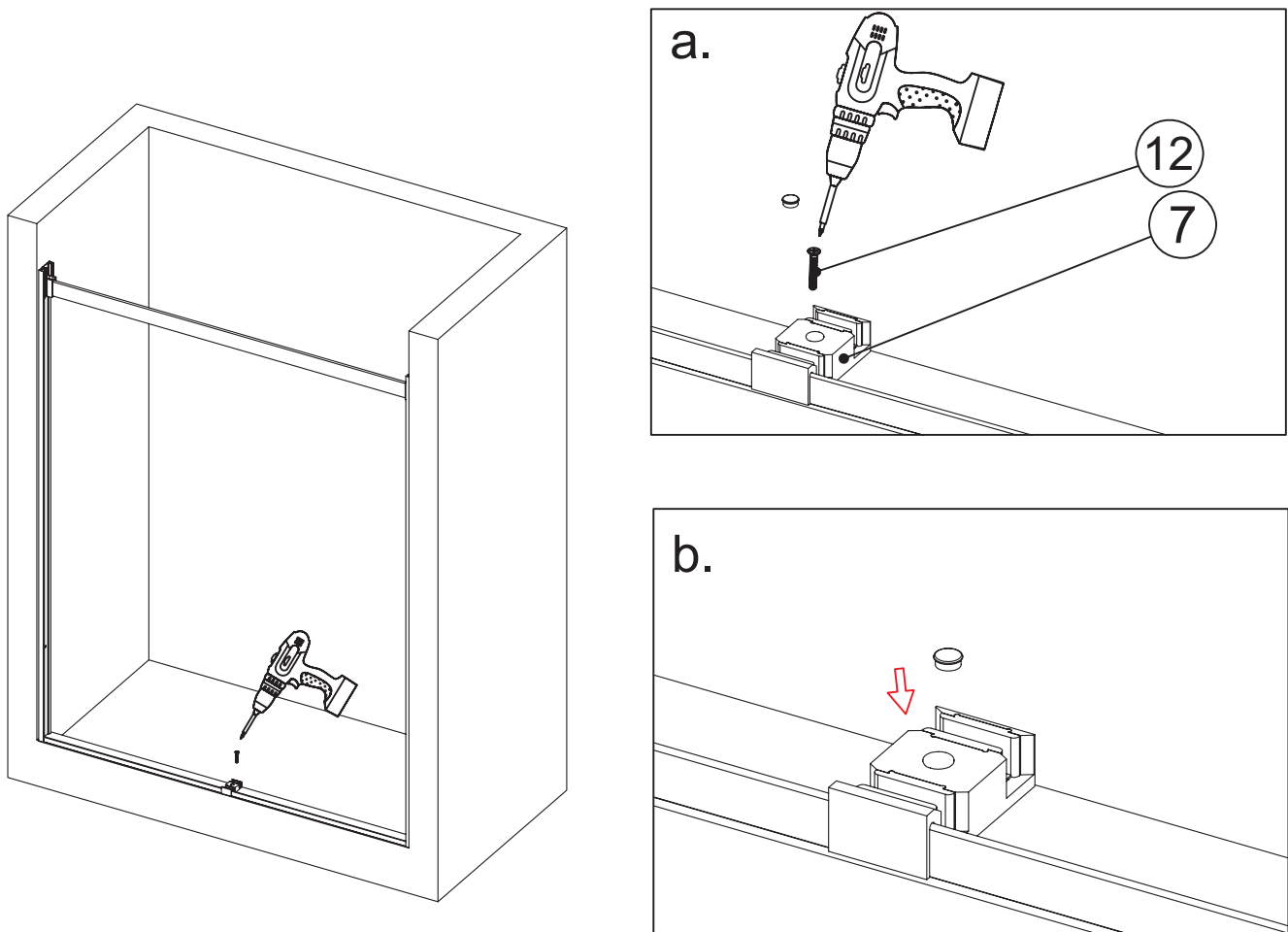
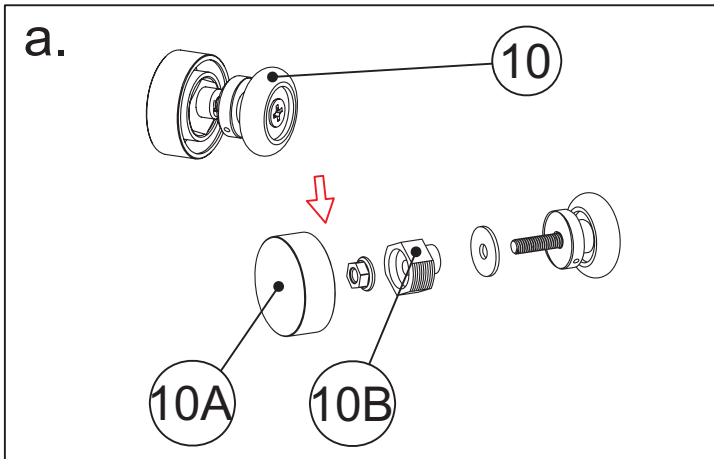


Fig 9

9. Install the Bottom Guide (7) to the shower base using the M4x30 Screw (12).

Please see Fig 9 for details

Install Inside Rollers



NOTE Shower Door rotated to show inside view

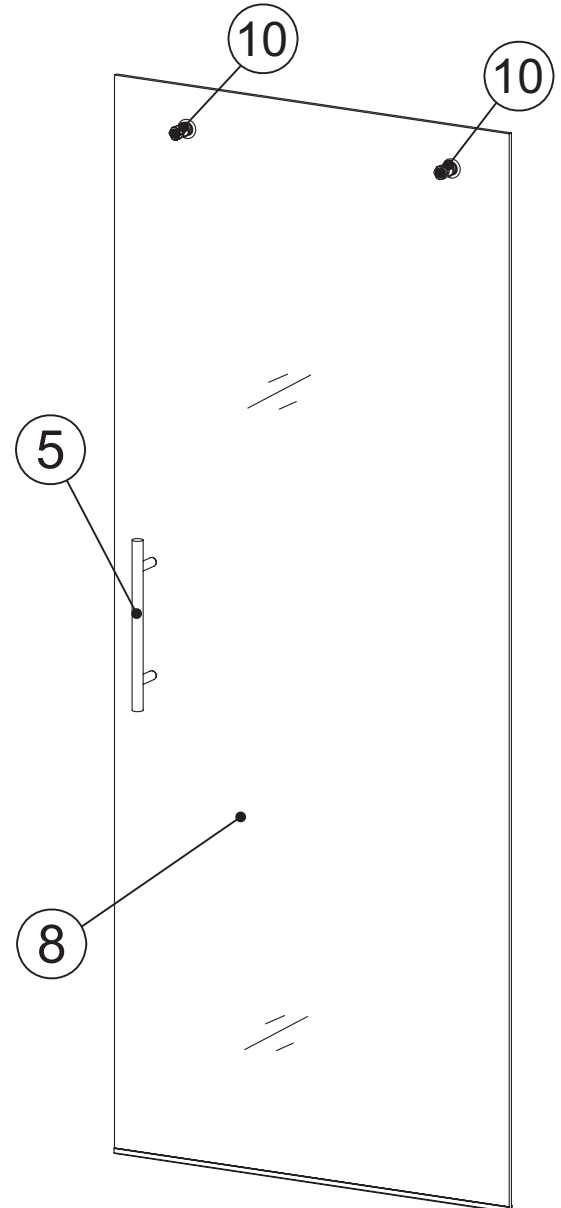
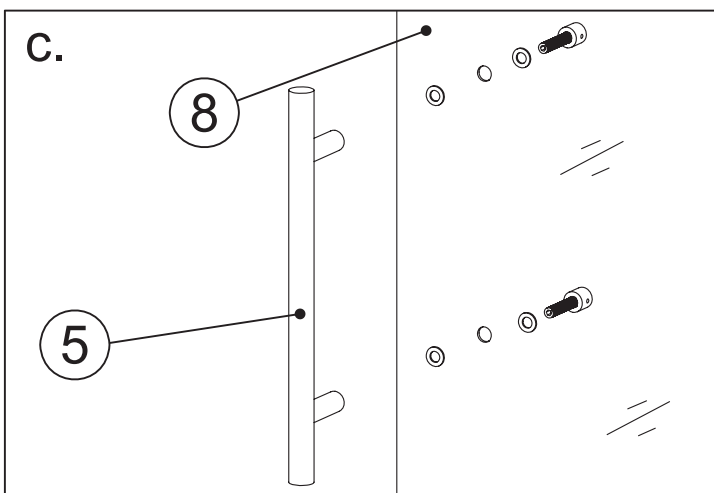
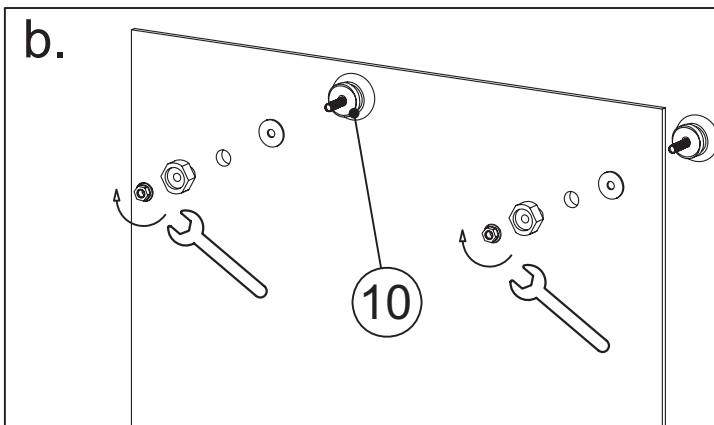
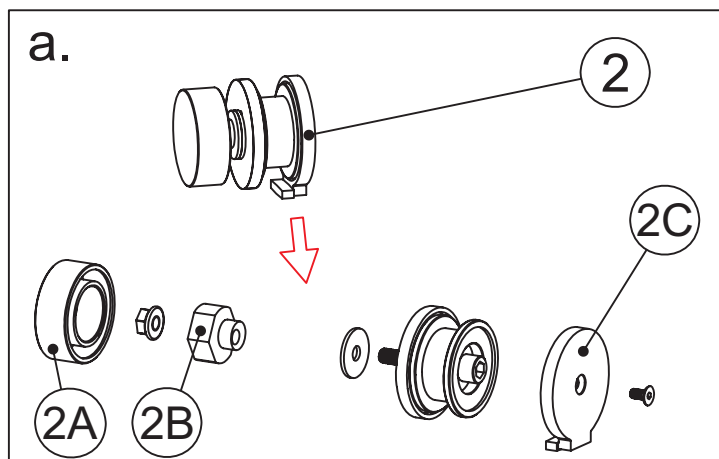


Fig 10

10. Install the Inside Rollers (10) and a Handle (5) to the Inside Glass Door (8).

Please see Fig 10 for details

Install Outside Rollers



NOTE Shower Door rotated to show outside view

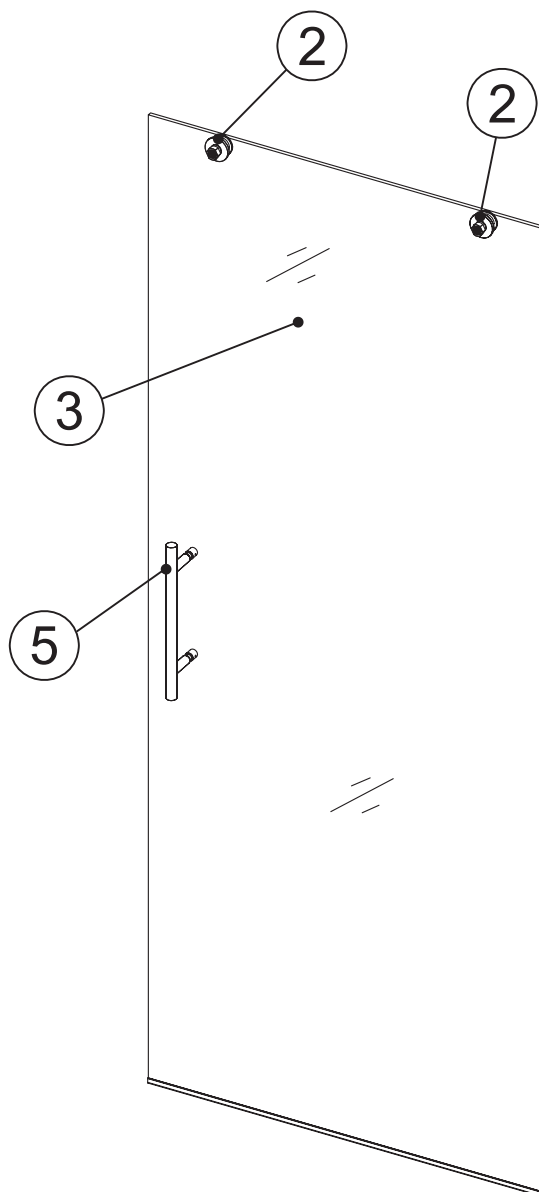
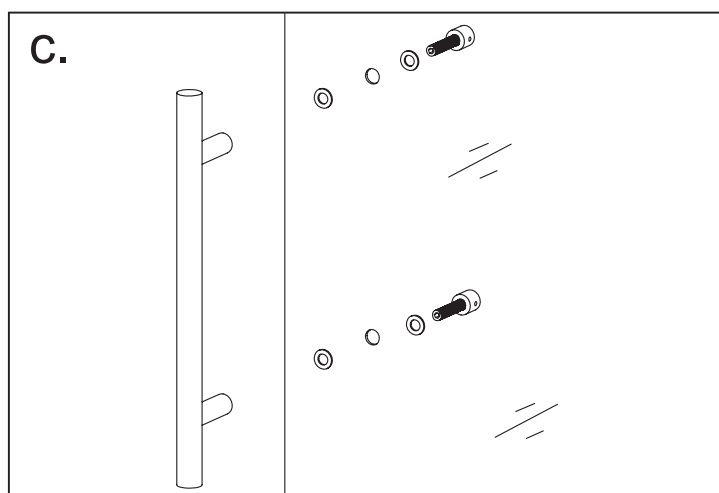
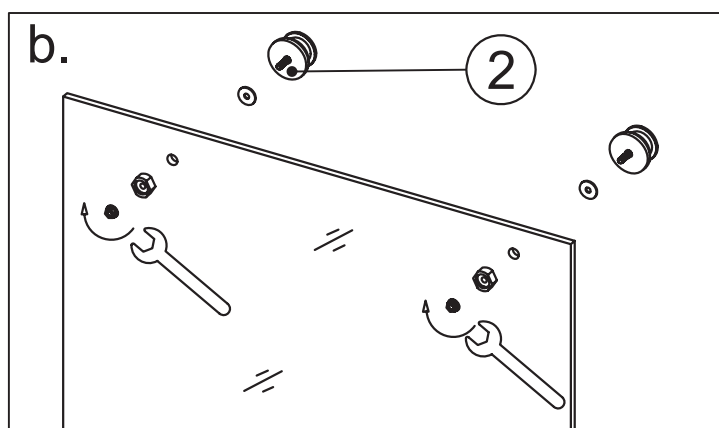
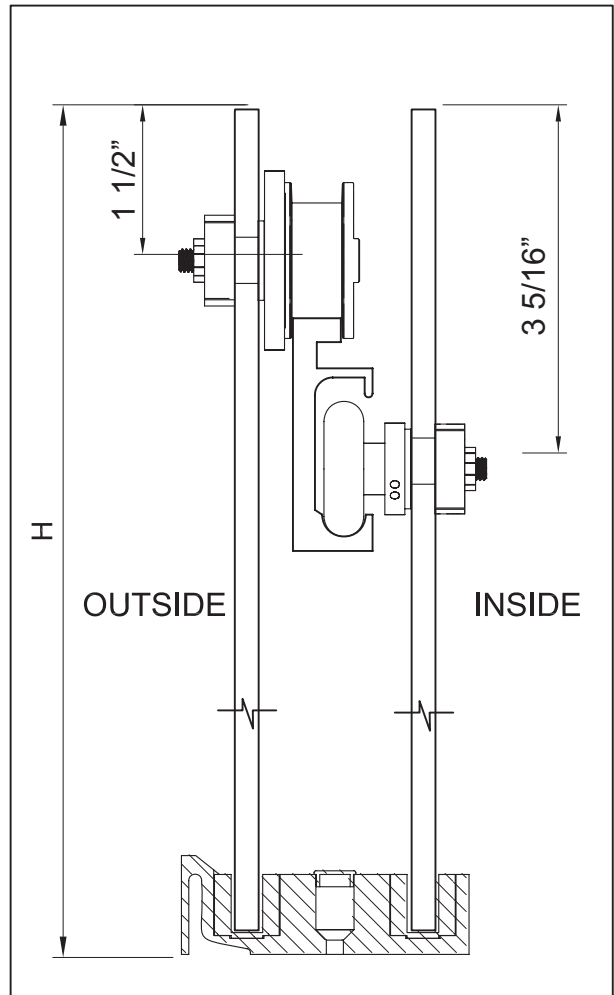
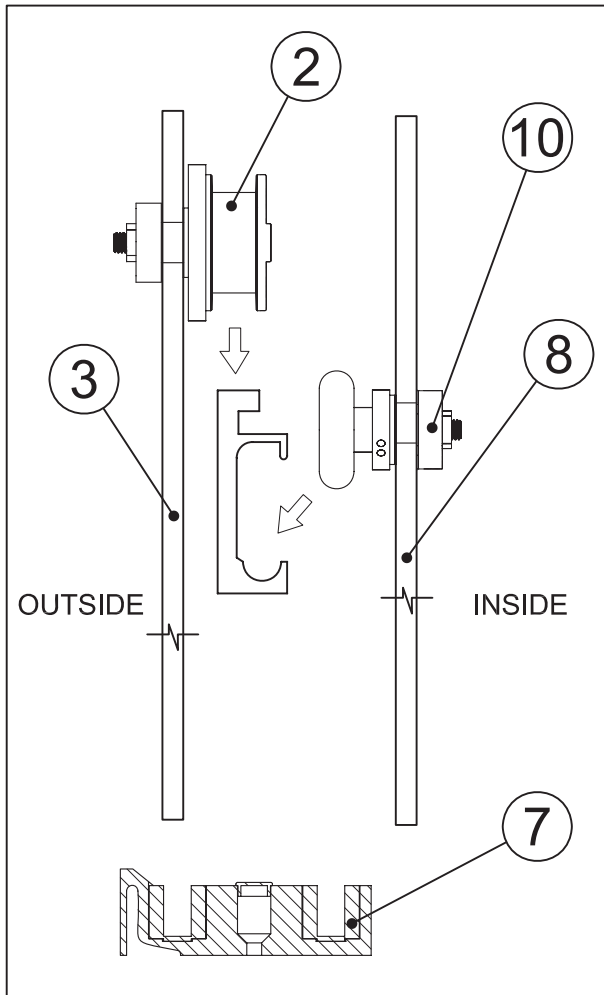


Fig 11

11. Install the Outside Rollers (2) and a Handle (5) to the Outside Glass Door (3).
Please see Fig 11 for details

Roller/Panel Detail



Steps 12 and 13 involve hanging the shower doors on the Header (9). The figure above can be used to gain an understanding of how the parts will come together in these steps.

Install Inside Panel

NOTE Shower Enclosure rotated to show inside view on the right side of this page

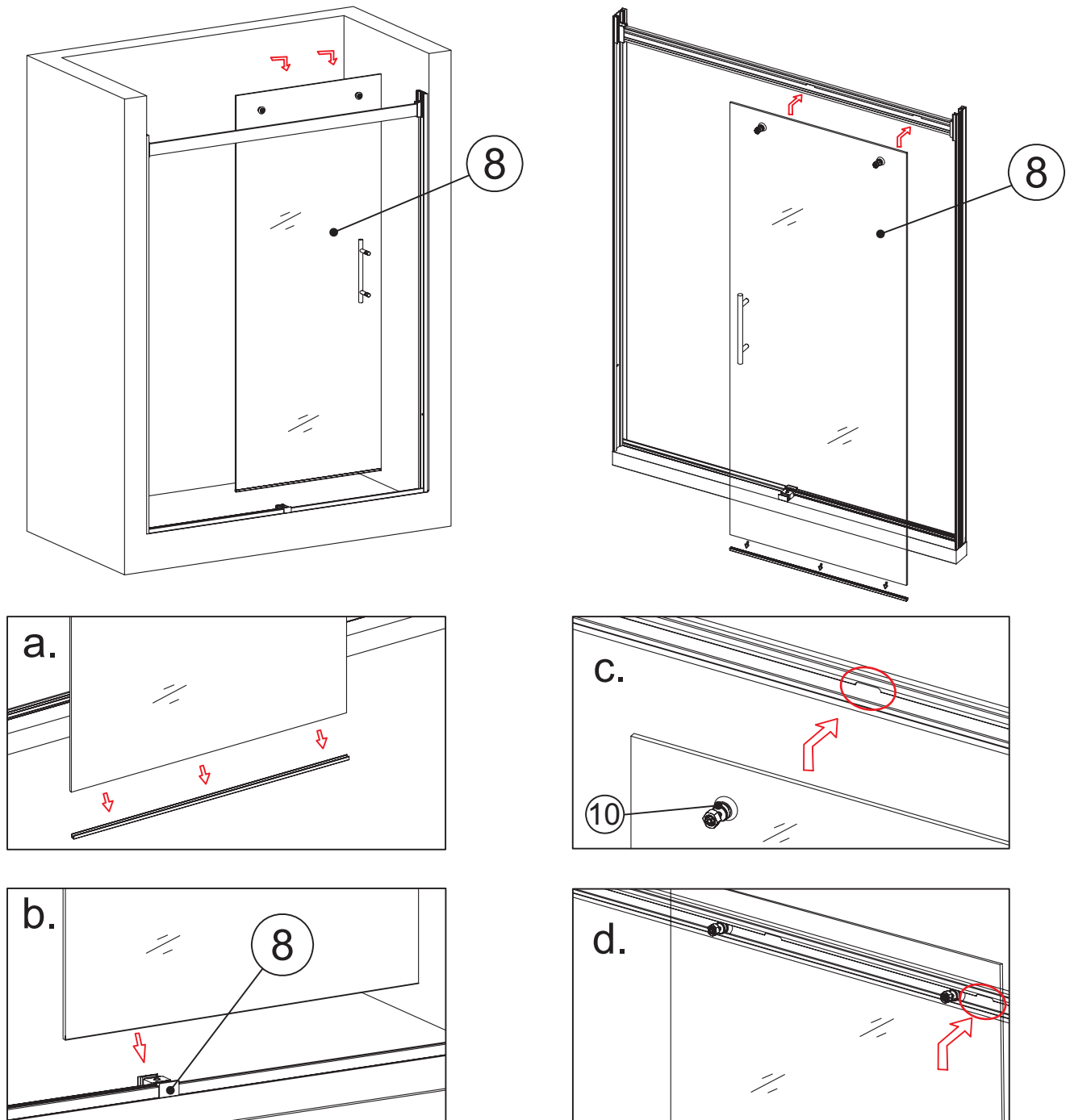
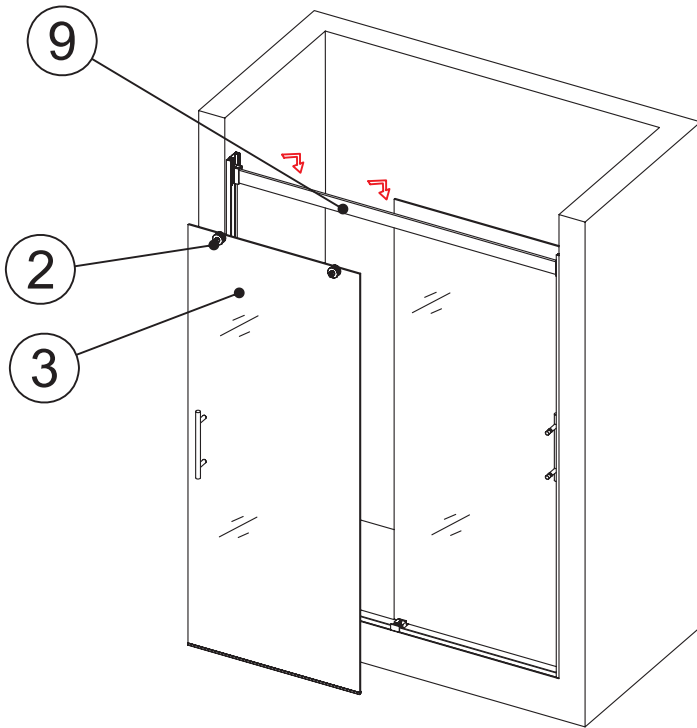


Fig 12

12. Hang the Glass Door Assembly to the Header (9) and then make sure that the rollers are fully seated in the track. If the notches for the rollers do not line up exactly with the rollers on your door, you can place both rollers in the track one at a time.

Please see Fig 12 for details

Install Outside Panel



13. Hang the Glass Door Assembly to the Header (9) and then make sure that the roller is rolling against the track of the Header (9).

Please see Fig 13 for details

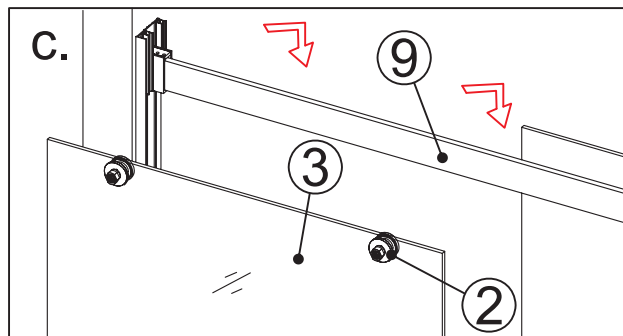
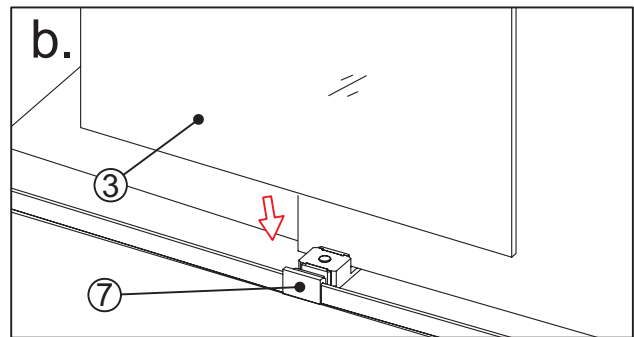
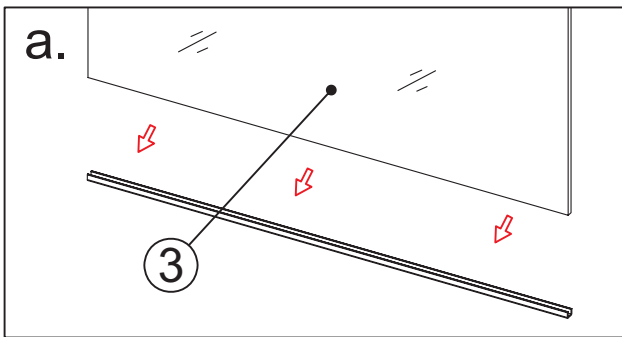


Fig 13

Panel/Roller Adjustment

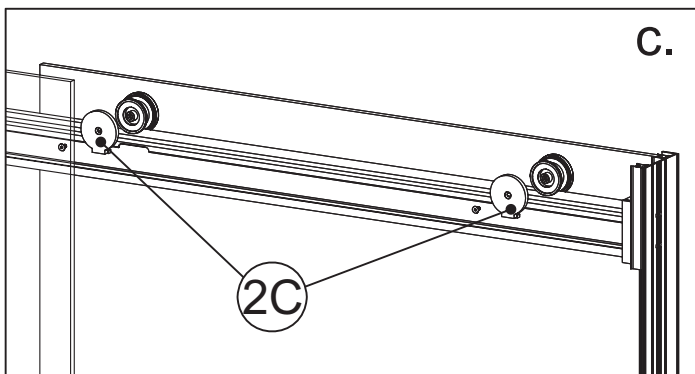
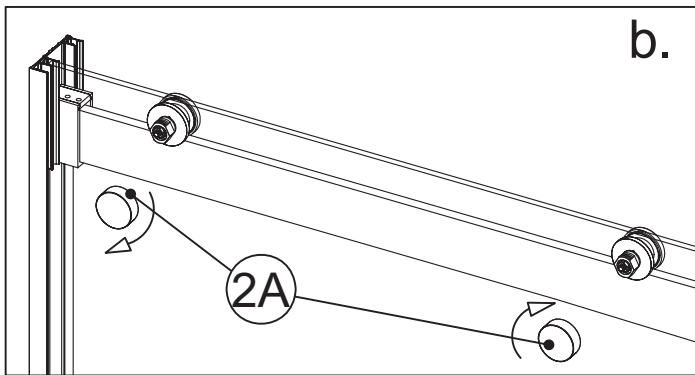
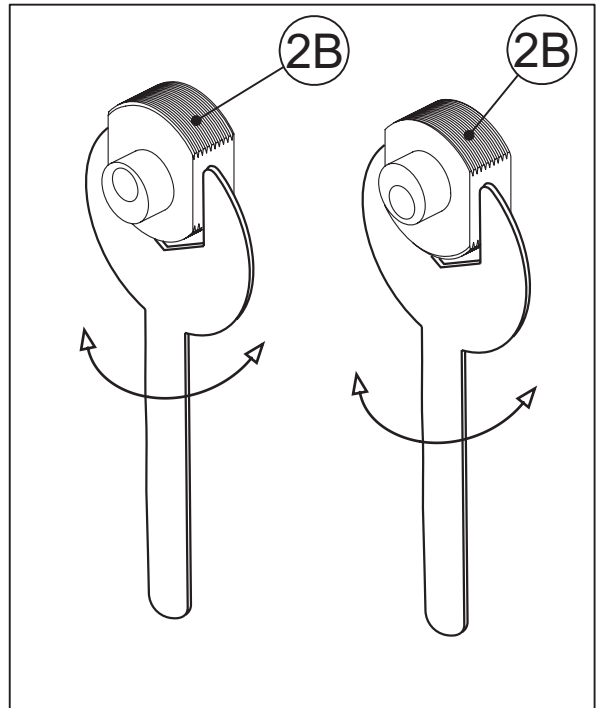
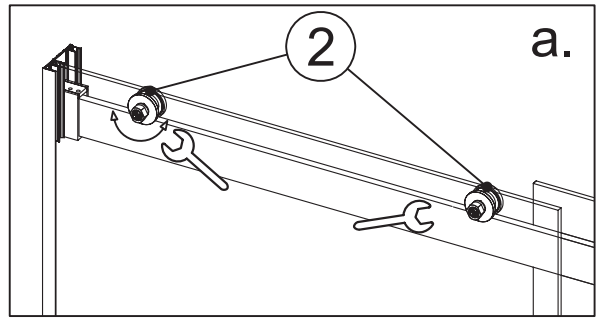
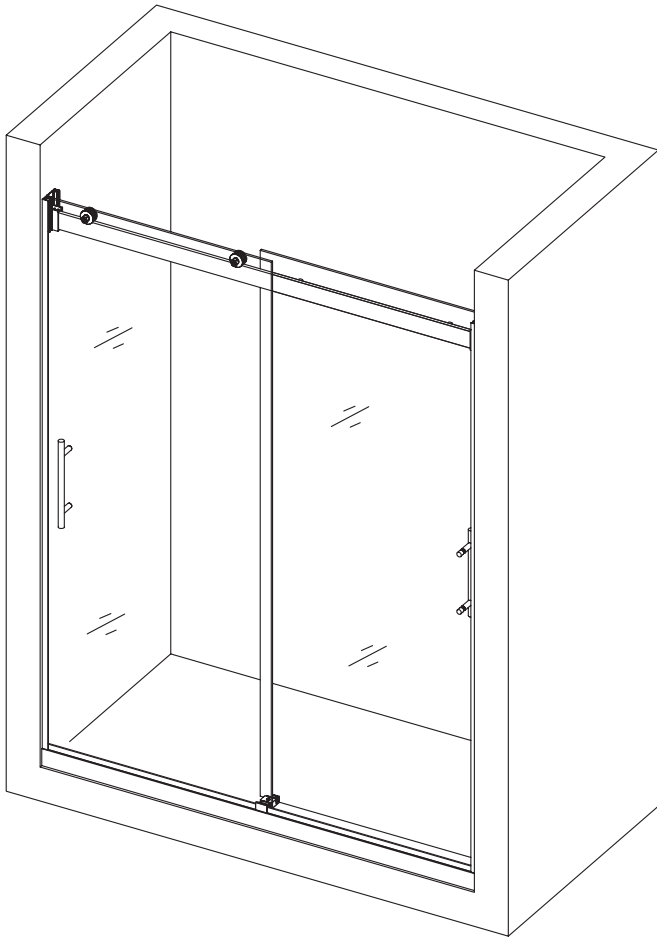


Fig 14

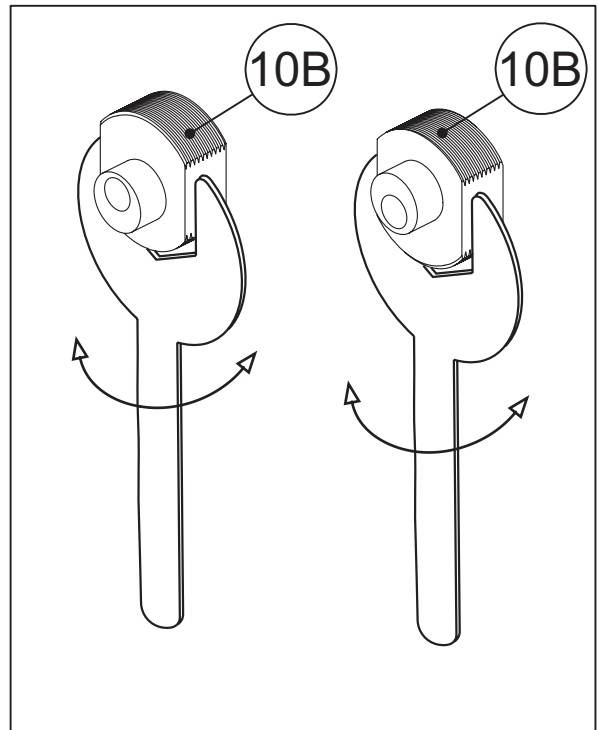
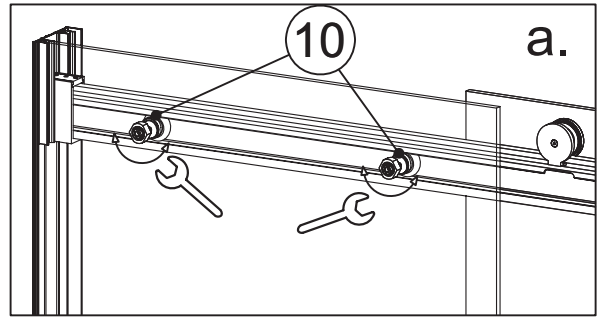
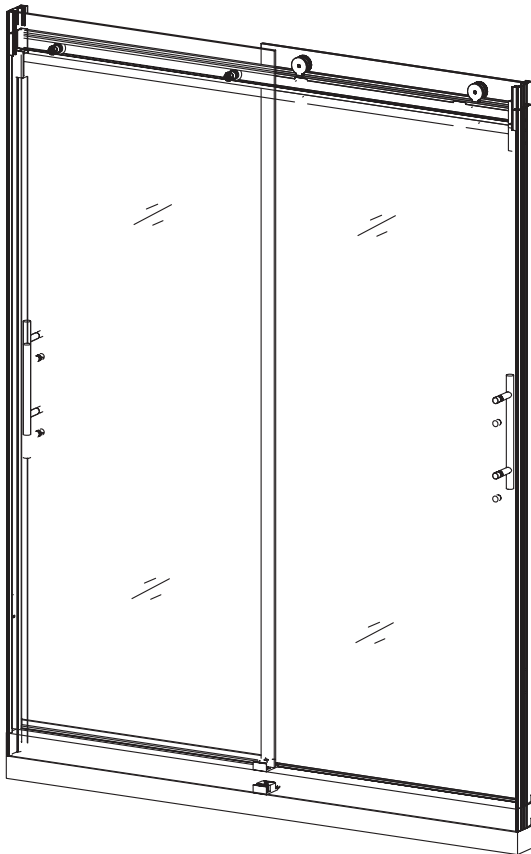
14. Adjust the Outside Rollers (2) to ensure that the Outside Glass Door (3) is aligned with the Left Wall Profile (4L).

Once the panel has been aligned, attach the outside roller covers (2A) and (2C)

Please see Fig 14 for details

Panel/Roller Adjustment

NOTE Shower Enclosure rotated to show inside view



15. Adjust the Inside Rollers (10) to ensure that the Inside Glass Door (8) is aligned with the Right Wall Profile (4R).

Once the panel has been aligned, attach the Inside Roller Covers (10A)

Please see Fig 15 for details

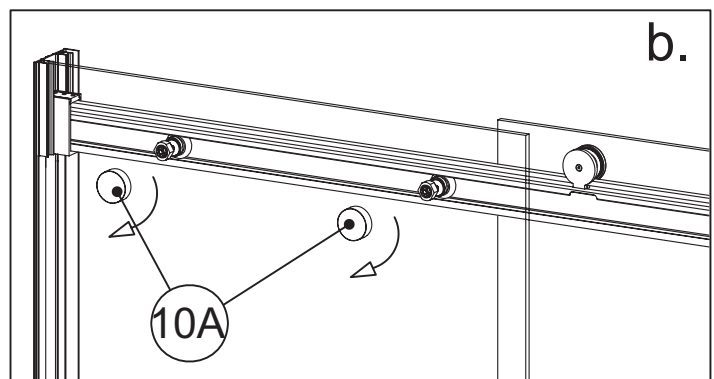


Fig 15

Caulk Unit with Silicone Sealant

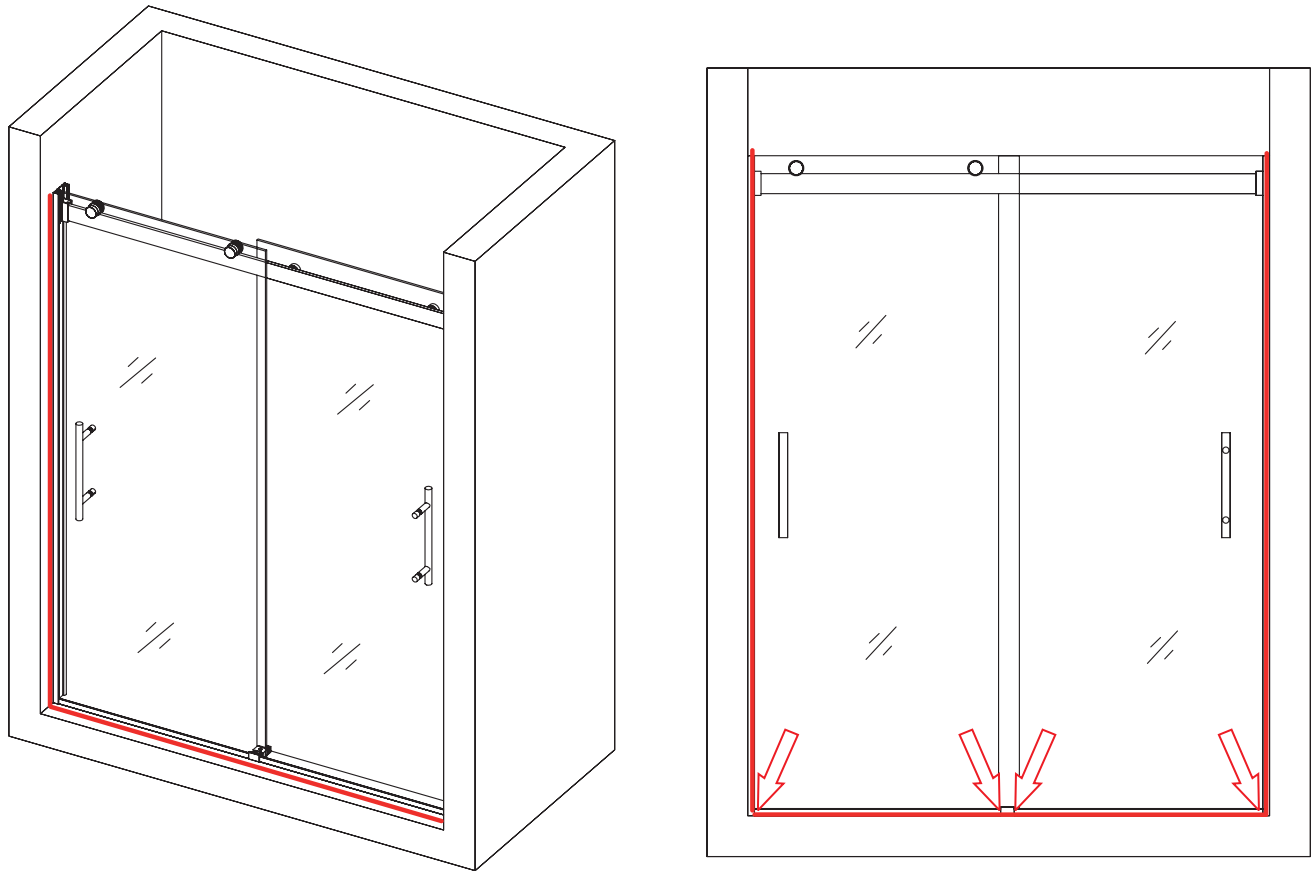


Fig 16

16. Remove any painters tape used during installation and clean surfaces with denatured alcohol. Apply a continuous bead of high quality, clear 100% silicone on the outside of the unit where it meets the wall and threshold. Specifically, run the silicone down the Wall Profiles (4L)(4R) at the wall, and along the Splash Guard (6) at the threshold. On the outside of the unit, caulk the vertical joints where the Splash Guard (6) meets the Wall Profiles (4L)(4R) and the Center Guide (6).

See Figure 16 for details.

This page intentionally left blank.

This page intentionally left blank.