



PIER BASE MOUNT ROUND BLK ASSEMBLY/INSTALLATION INSTRUCTIONS

Item # 588897-BLK:PIER BASE MOUNT ROUND BLK

Please read carefully and save these instructions, as you may need them at a later date.

CAUTION

WARNING: If any special control devices are used with this fixture, follow the instructions carefully to assure full compliance with N.E.C. Requirements. If there are any questions, contact a qualified electrical contractor.

CAUTION: This product contains chemicals known to the State of California to cause cancer, birth defects and/or other reproductive harm. Thoroughly wash hands after installing, handling, cleaning, or otherwise touching this product.

GENERAL

Remove the product and the mounting package from the box and make sure that no parts are missing by referencing the illustrations on the installation instructions.

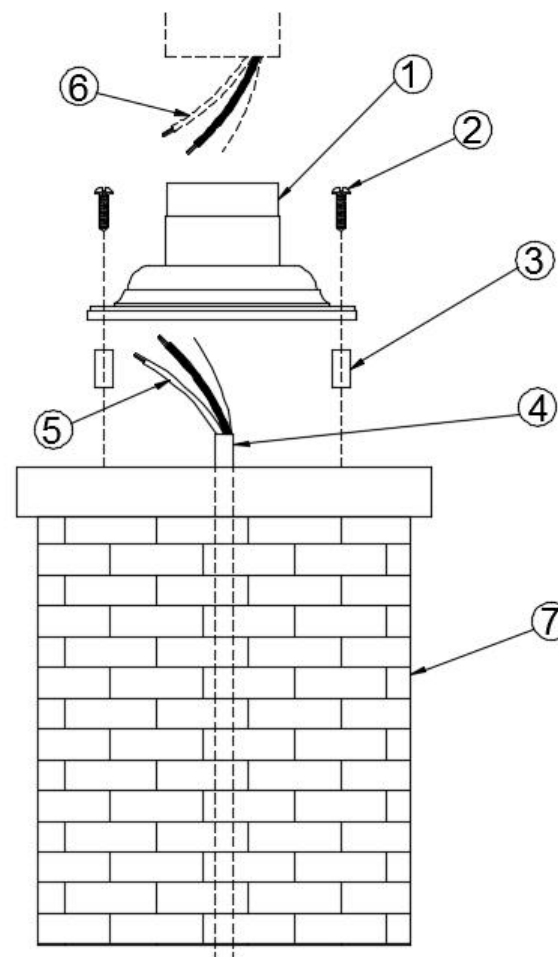
ASSEMBLY AND INSTALLATION

Turn off the power at fuse or circuit breaker.

1. Using the Adapter (1) as a guide, lay out the location of the 9/32" diameter anchor holes and the position of the Conduit Power Feed (4).
2. Install Conduit Power Feed (4) through Pedestal (7) so that it protrudes at least one inch above the top surface of the Pedestal (7).
3. Set Anchors (3) into anchor holes.
4. Set Adapter (1) onto Pedestal (7) with holes aligned with Anchors (3). Secure Adapter (1) to Pedestal (7) with Screws (2) provided. Caulk around base of Adapter (1) to prevent water from entering.
5. Install fixture according to instructions furnished with fixture.
6. Connect supply cable to power source according to NEC and UL requirements.

* Items included in parts bag.

ASSEMBLY AND INSTALLATION (CONT.)



588897-BLK

**IF IN DOUBT ABOUT ELECTRICAL INSTALLATION,
CONSULT A LICENSED ELECTRICIAN.**

Customer Service 1-800-558-8700