

INSTRUCTION MANUAL

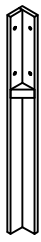
1399 Raised Garden Bed

⚠ NOTICE

Please retain these instructions for future reference.

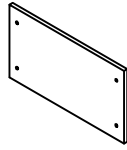
- Please do not exceed the weight limitations of this item.
- Do not stand on or use any part of this item as a step ladder.
- Firmly secure all bolts and screws before use.
- Do not use or store this item in the proximity of open flame or flammable/combustible chemicals.
- Be aware that some parts are heavy and have sharp edges.
- If any parts are missing, broken, damaged, or worn, stop using this product until repairs are made and/or factory replacement parts are installed.
- Ensure your product is sited on level ground. Failure to do this may put additional stress on connections and joints and in time could cause them to fail.

①



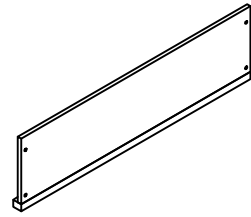
Legs 4PCS

②



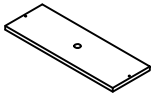
Side Panel 2PCS

③



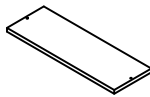
Front and Back Panel 2PCS

④



2PCS

⑤



4PCS

A



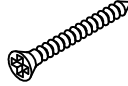
bolt
M6x20mm 16PCS+1

B



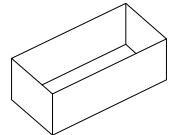
nut
M6x15mm 16PCS+1

C



wood screw
3x30mm 12PCS+1

D



LINING
960x455x220mm 1PC

1

①



4PCS

②



2PCS

A



bolt
M6x20mm 8PCS

B



nut
M6x15mm 8PCS

2

③



2PCS

A

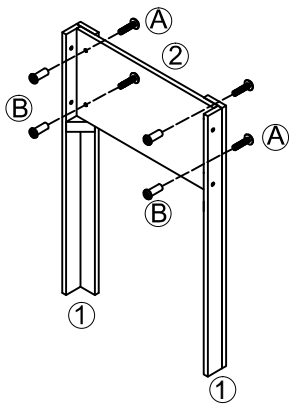


bolt
M6x20mm 8PCS

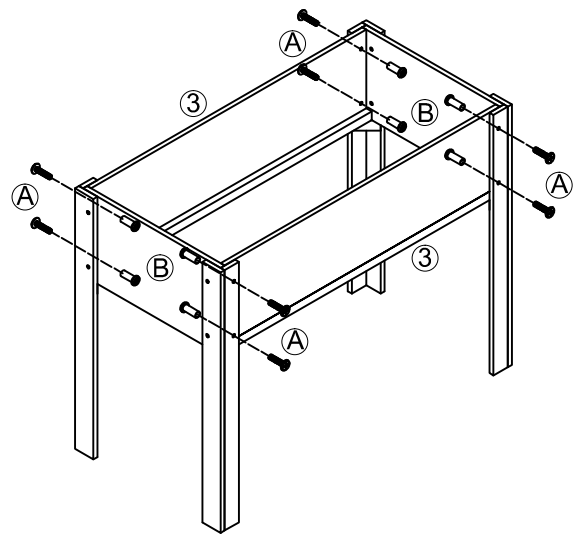
B



nut
M6x15mm 8PCS

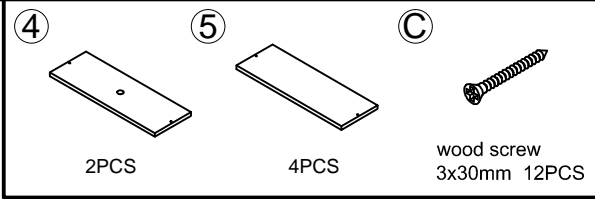


x2

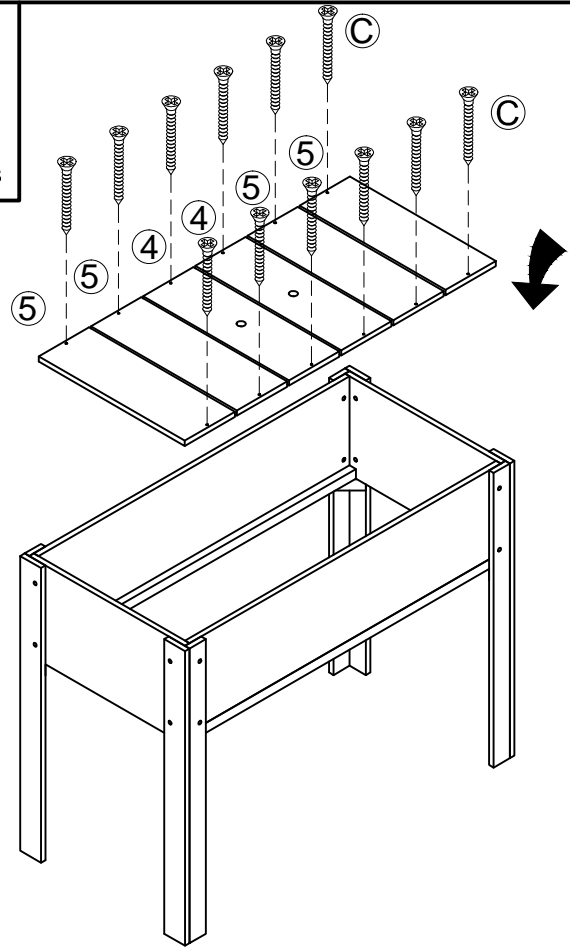


③

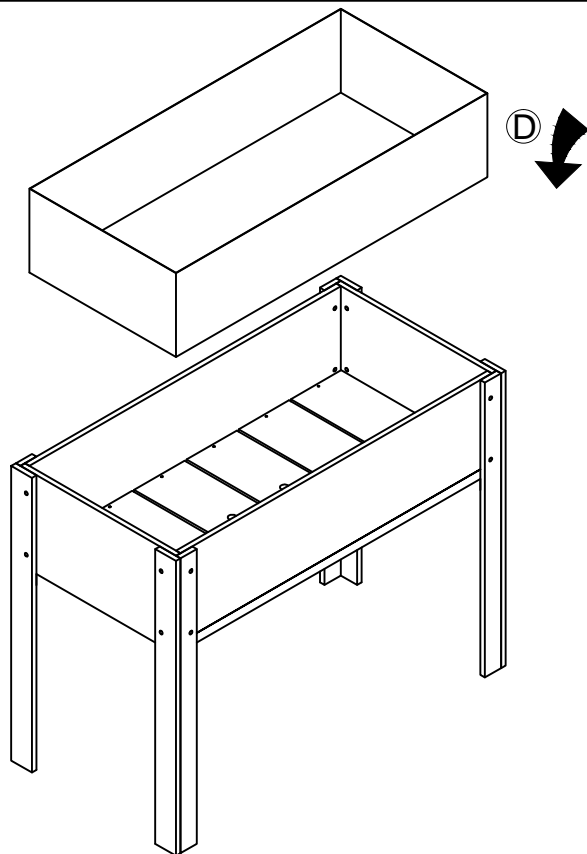
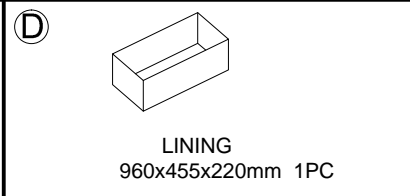
3



Wood will expand during planting, Gap is necessary for the baseboard.



4



4