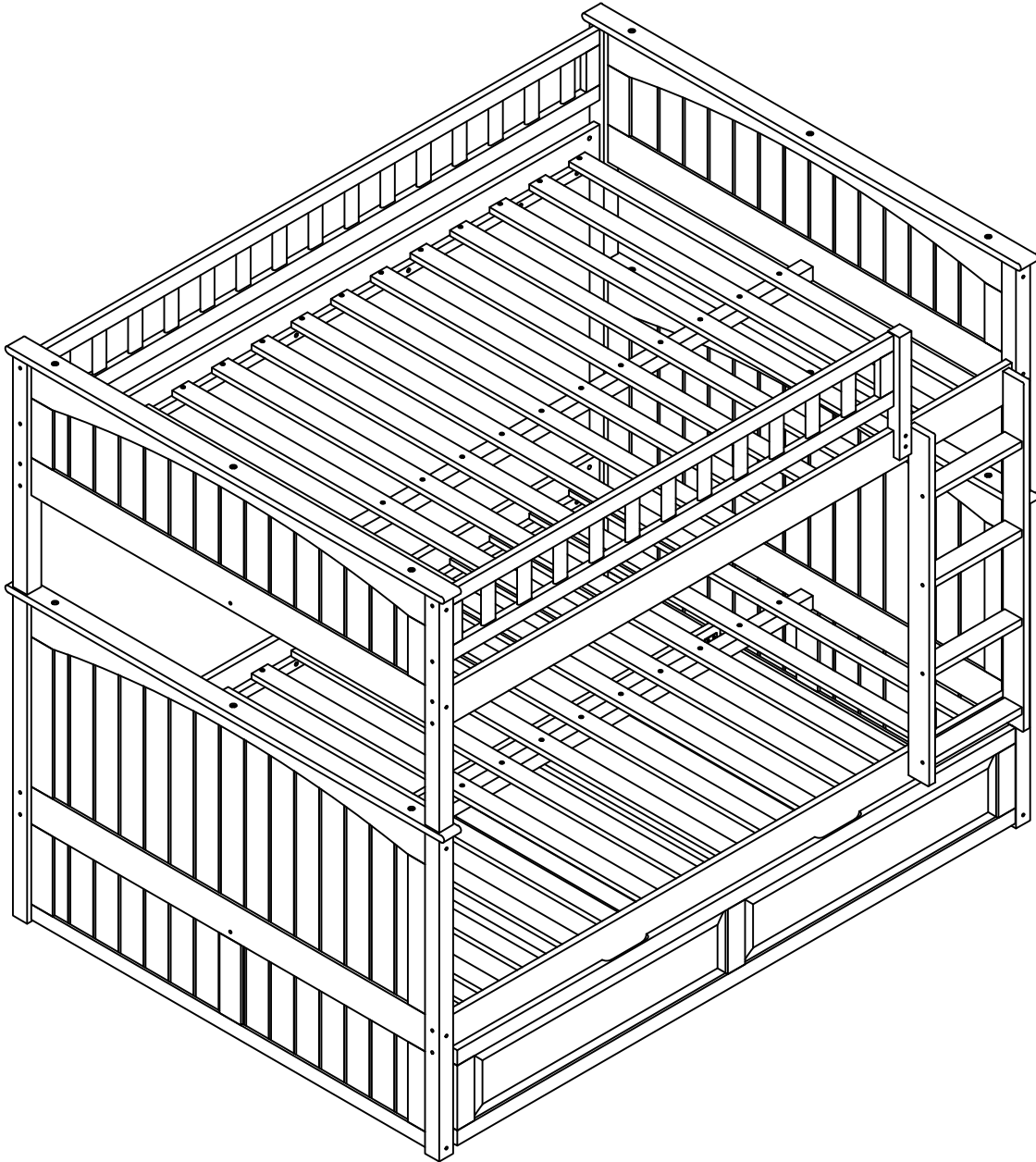


ASSEMBLY INSTRUCTIONS

FULL / FULL BUNK BED WITH TRUNDLE



If you have any questions, please feel free to contact us.
Email: service@qualfurn.net

WF286479/WF286480

ASSEMBLY INSTRUCTIONS



SAFETY WARNINGS



1. This bed is designed for use only mattress (es) meeting the following specifications on the upper bunk, and lower bunk:

Upper bunk (bunk bed and tribed included)

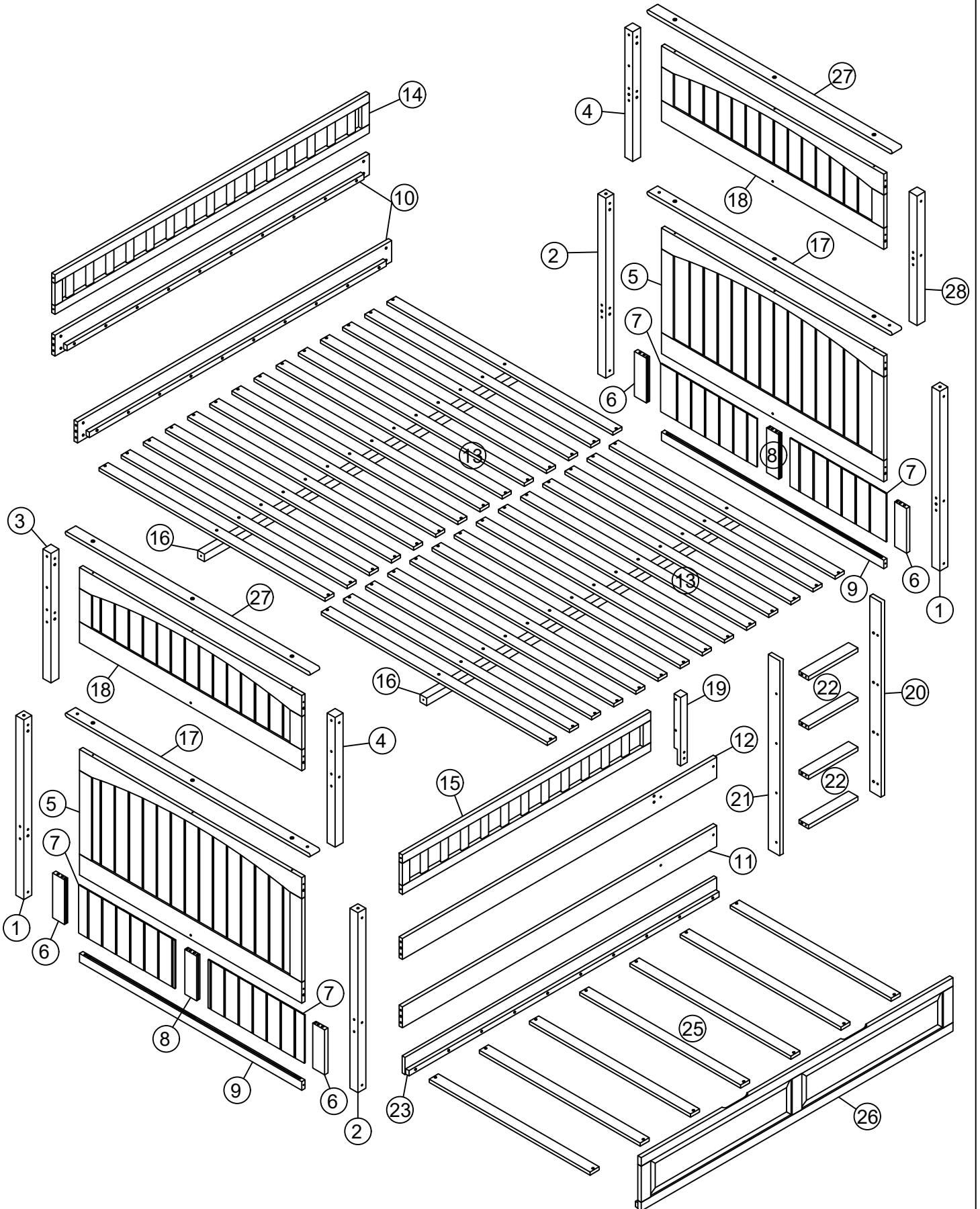
Bed Type	Length	Width	Thickness
Full Standard	74" - 75"	53" - 54"	6" max

Lower bunk

Bed Type	Length	Width	Thickness
Full Standard	74" - 75"	53" - 54"	8"

2. Replacement parts, including additional guardrails, maybe obtained from any of our (GIGACLOUD TECHNOLOGY (USA) INC. 18961 ARENTH AVENUE CITY OF INDUSTRY, CA, 91748) dealers
3. Follow the information on the warnings appearing on the upper bunk bed end structure and on the carton. Do not remove warning label from bed.
4. Always use the recommended size mattresses or mattress supports, or both, to help prevent the likelihood of entrapment or falls.
5. Surface of mattress must be at least 5" (127mm) below the upper edge of guardrails.
6. Do not allow children under 6 years of age to use the upper bunk.
7. Periodically check and ensure that the guardrail, ladder, and other components are in their proper position, free from damage, and that all connectors are tight.
8. Do not allow horseplay on or under the bed and prohibit jumping on the bed.
9. Always use the ladder for entering and leaving the upper bunk.
10. Do not use substitute part. Contact the manufacture or dealer for replacement part.
11. Use of a night light may provide added safety precaution for a child using the upper bunk.
12. Always use guardrails on both long sides of the upper bunk. If the bunk bed will be placed next to the wall, the guardrail that runs the full length of the bed should be placed against the wall to prevent entrapment between the bed and wall.
13. The use of water or sleep flotation mattresses is prohibited.
14. **STRANGULATION HAZARD** - Never attach or hang items to any part of the bunk bed that are not designed for use with the bed; for example, but not limited to, hook, belts and jump ropes.
15. Keep these instruction for future reference.
16. Prohibit more than one person on upper bunk
17. We recommend assembling your bunk bed on the shipping carton to protect your floor or carpet.
18. Be certain all staples are out of the box before beginning assembly on the shipping carton.

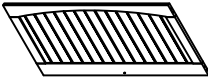

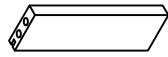
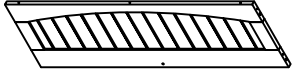

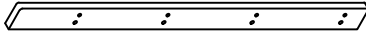
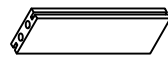
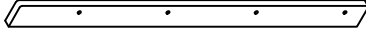

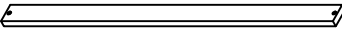
ASSEMBLY INSTRUCTIONS



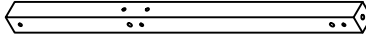
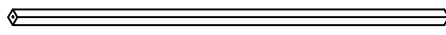
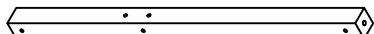
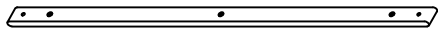

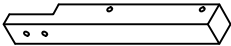

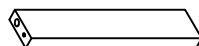
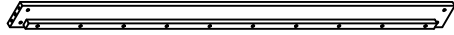

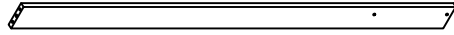
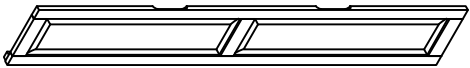
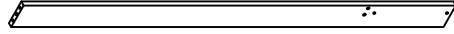
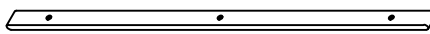



ASSEMBLY INSTRUCTIONS

PARTS LIST

WF286479


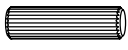

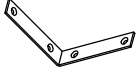

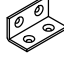



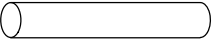

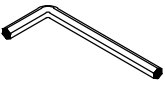

5	Lower bed - Head board upper frames		2pcs	13	Slats - Upper bed 14pcs / Lower bed 14pcs		28pcs
6	Lower bed - Head board vertical Bar		4pcs	18	Upper bed - Head board frame		2pcs
7	Lower bed - Head board lower frames		4pcs	20	Ladder - Right leg		1pc
8	Lower bed - Head board middle Bar		2pcs	21	Ladder - Left leg		1pc
9	Lower bed - Head board bottom panels		2pcs	25	Trundle slats		7pcs

WF286480 (Hardware in this SKU)

1	Lower bed legs		2pcs	16	Upper & Lower -Slat support		2pcs
2	Lower bed legs		2pcs	17	Lower bed - head board top panel		2pcs
3	Upper bed leg		1pc	19	Upper bed -front guard rail support		1pc
4	Upper bed legs		2pcs	22	Ladder steps		4pcs
10	Upper & lower - side rails		2pcs	23	Trundle - back guard rail		1pc
11	Lower bed - front side rails		1pc	26	Trundle - Front panel		1pc
12	Upper bed - front side rails		1pc	27	Upper bed - head board top panel		2pcs
14	Upper bed -back guard rail frame		1pc	28	Upper bed legs		1pc
15	Upper bed -front guard rail frames		1pc				

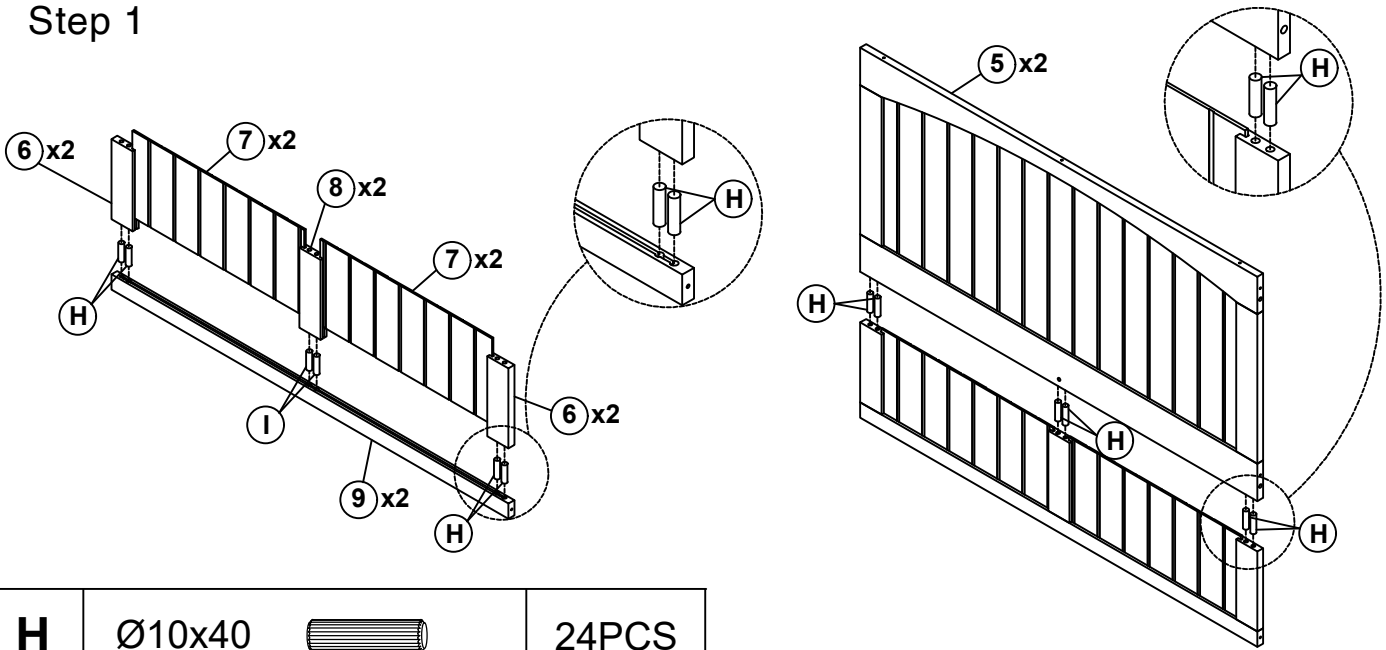
ASSEMBLY INSTRUCTIONS

HARDWARE LIST (WF286480)

A	Ø4x30		98PCS	H	Ø10x40		54PCS
B	Ø4x15		32PCS	I	95x95x20		2PCS
C	6.5x90		28PCS	J	40x20x20		2PCS
D	6.5x60		16PCS	K	Ø38x46x38		4PCS
E	6.5x50		12PCS	L	Ø10x100		4PCS
F	1/4x100		16PCS	M	4x58		1PC
G	1/4x35		2PCS				

ASSEMBLY INSTRUCTIONS

Step 1



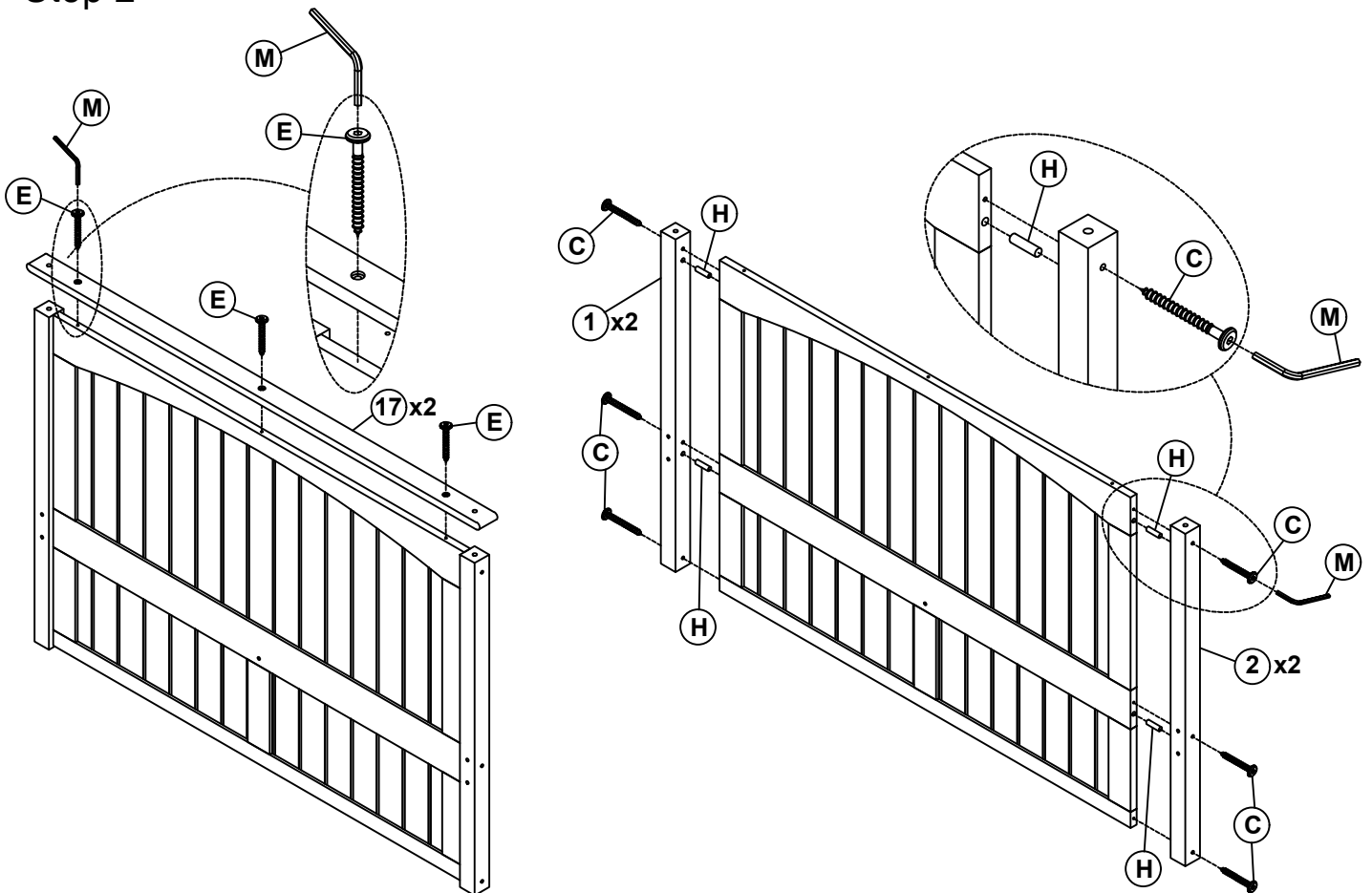
H

Ø10x40



24PCS

Step 2



C

6.5x90



12PCS

E

6.5x50



6PCS

H

Ø10x40



8PCS

M

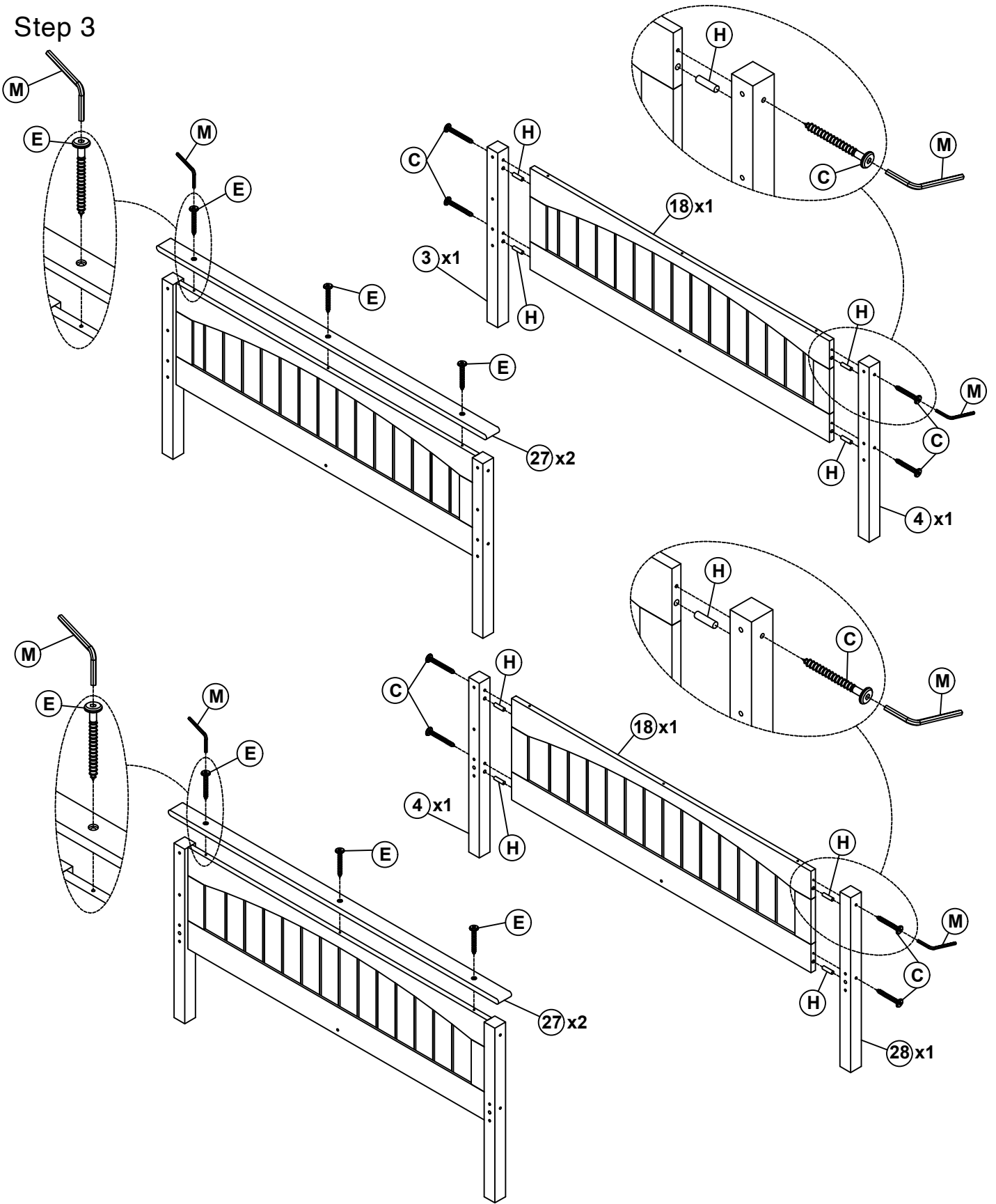
4x58







1PC

ASSEMBLY INSTRUCTIONS

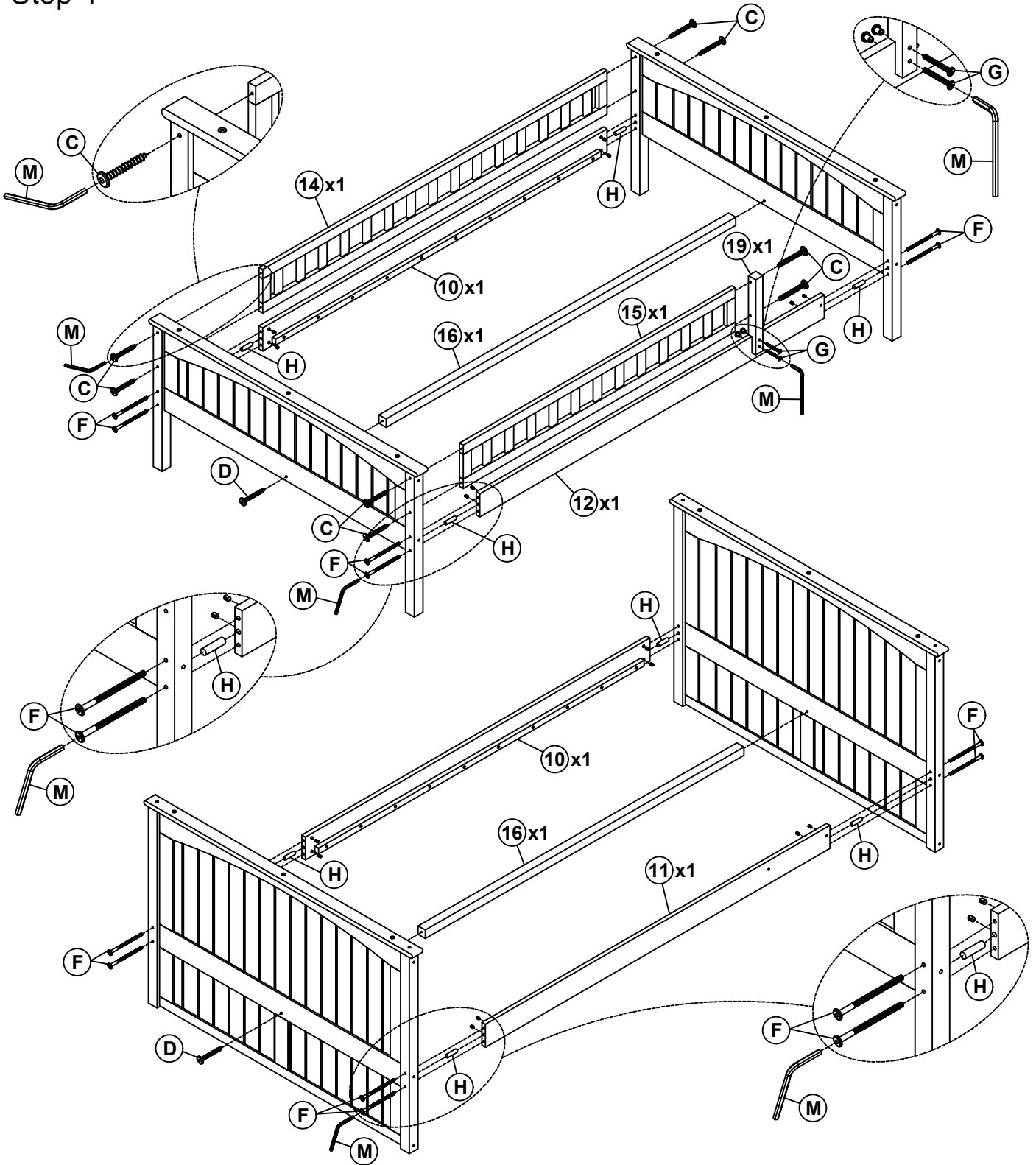
Step 3









C	6.5x90		8PCS	E	6.5x50		6PCS
H	Ø10x40		8PCS	M	4x58		1PC

ASSEMBLY INSTRUCTIONS

Step 4

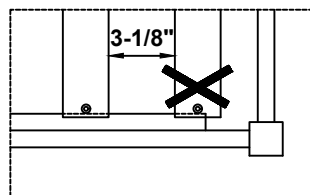
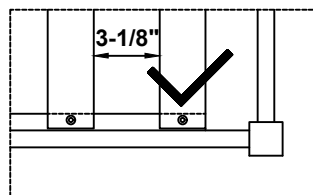
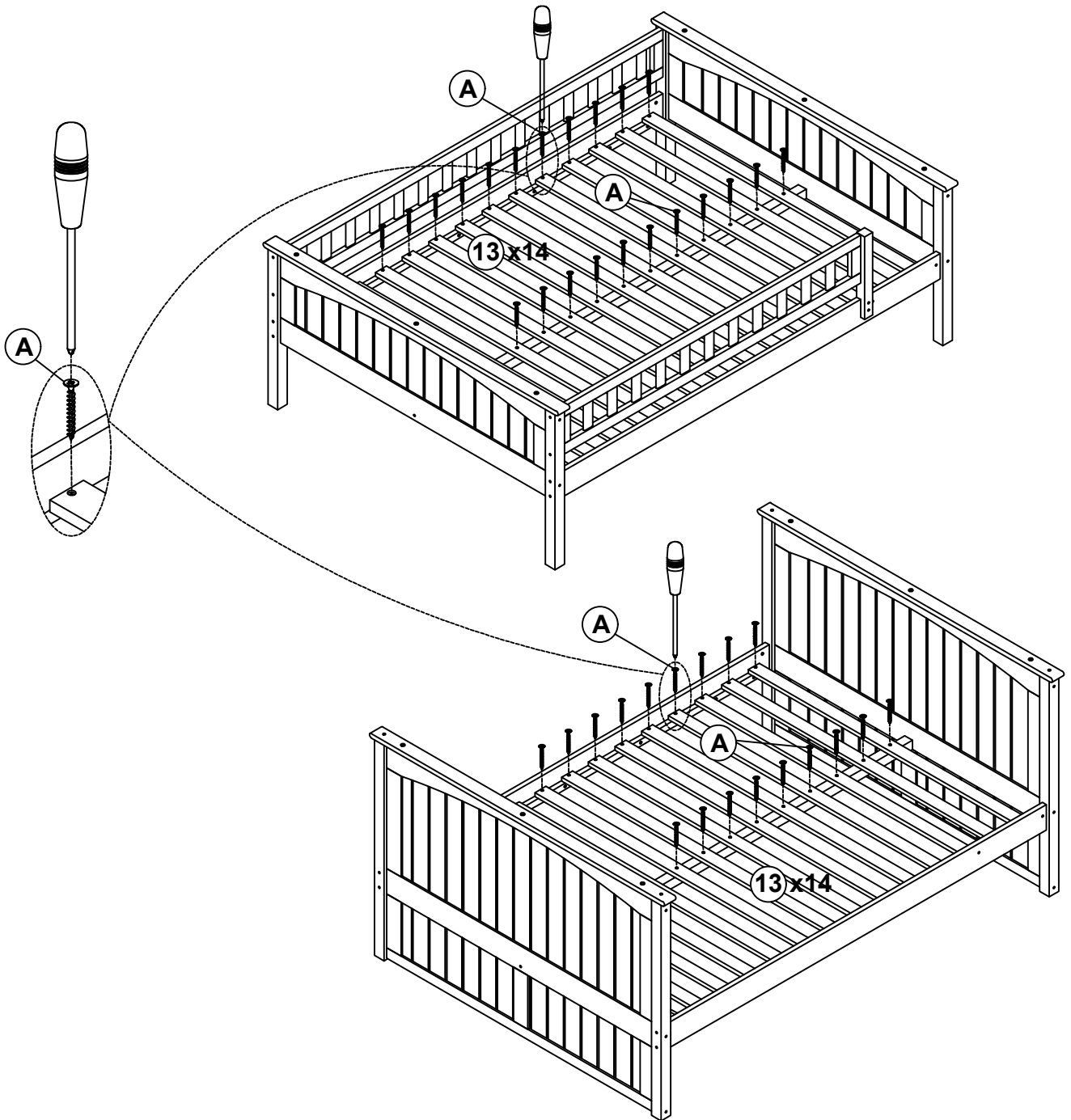


F	1/4x100		16PCS	G	1/4x35		2PCS
C	6.5x90		8PCS	D	6.5x60		4PCS
H	Ø10x40		8PCS	M	4x58		1PC

ASSEMBLY INSTRUCTIONS

Step 5

First attach 2 pcs part 13 to the front and end of the frame between headboard.
Then attach the remaining part 13 equidistantly between headboard



Note : Do not lock the screws of the bed slats to the outermost edge of the bed slats, you need to leave a certain space at the edges, otherwise it will cause the board to break

A

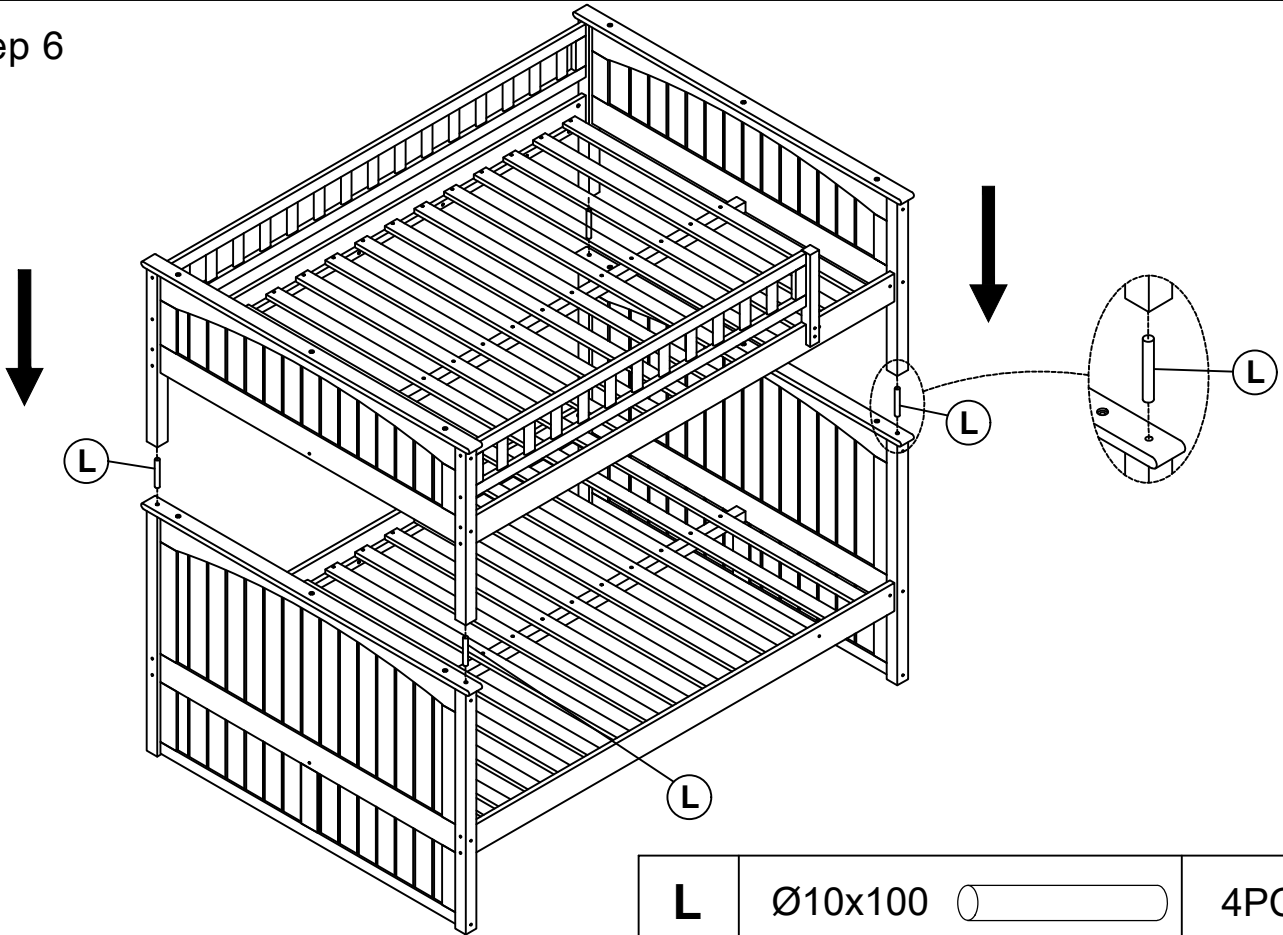
Ø4x30

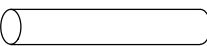


84PCS

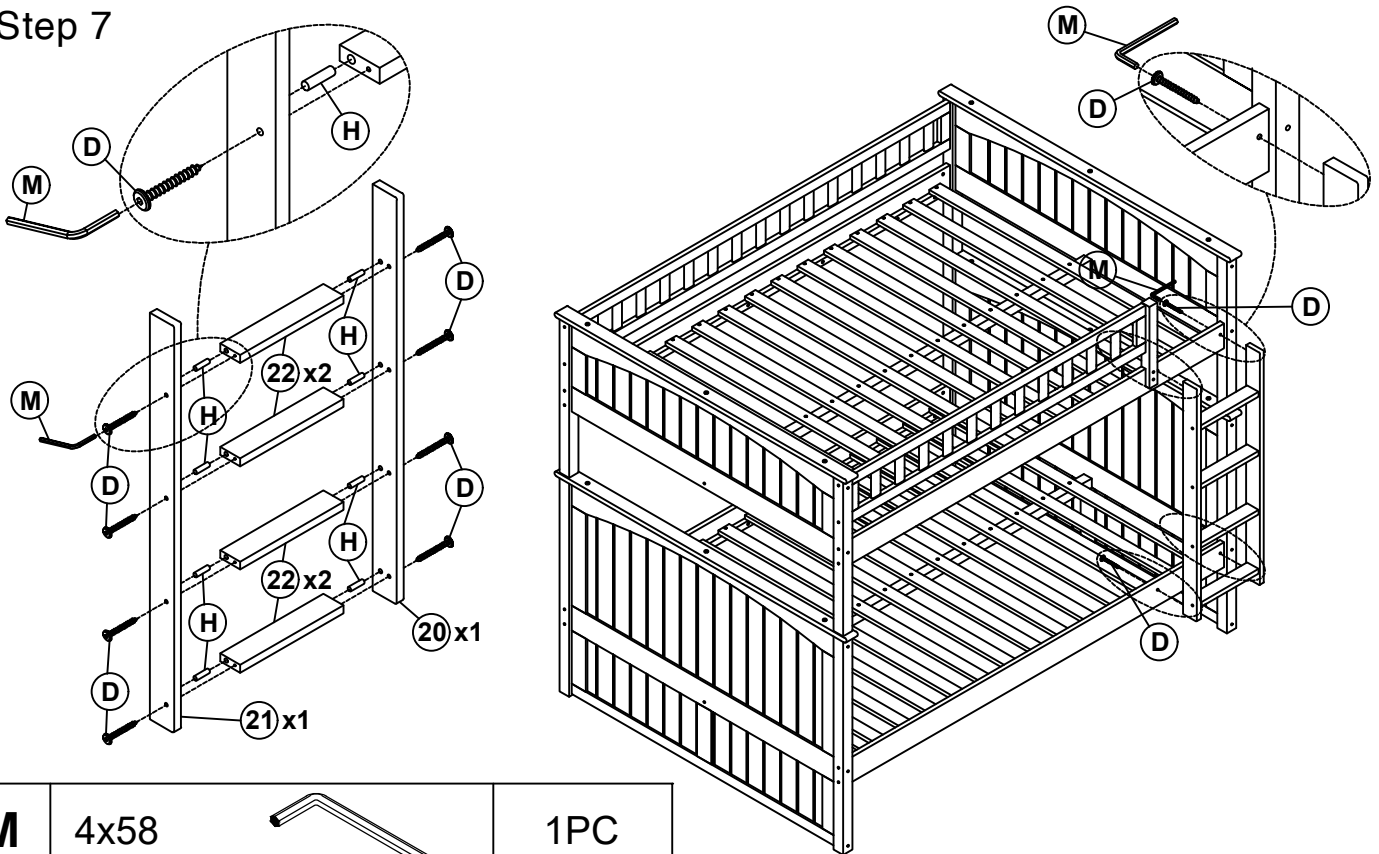
ASSEMBLY INSTRUCTIONS




Step 6



L	Ø10x100		4PCS
----------	---------	---------------------------------------------------------------------------------------	------

Step 7

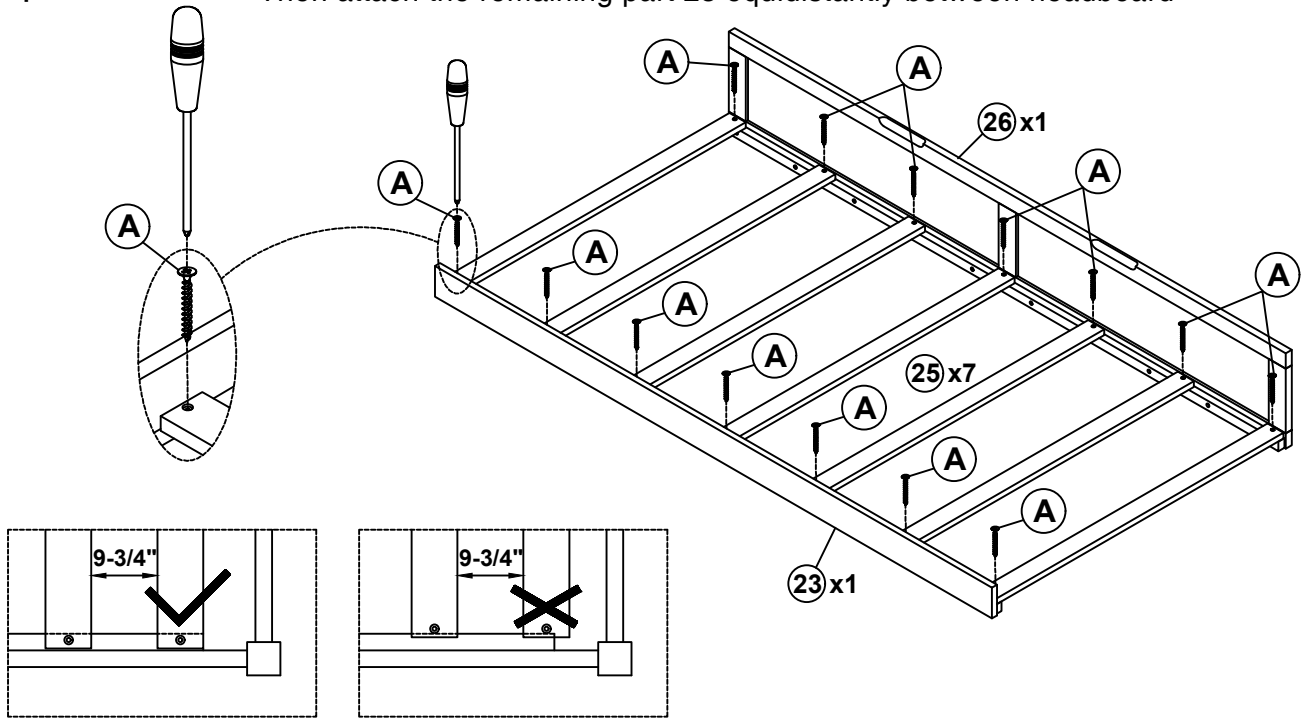


M	4x58		1PC
H	Ø10x40		8PCS
D	6.5x60		12PCS

ASSEMBLY INSTRUCTIONS

Step 8

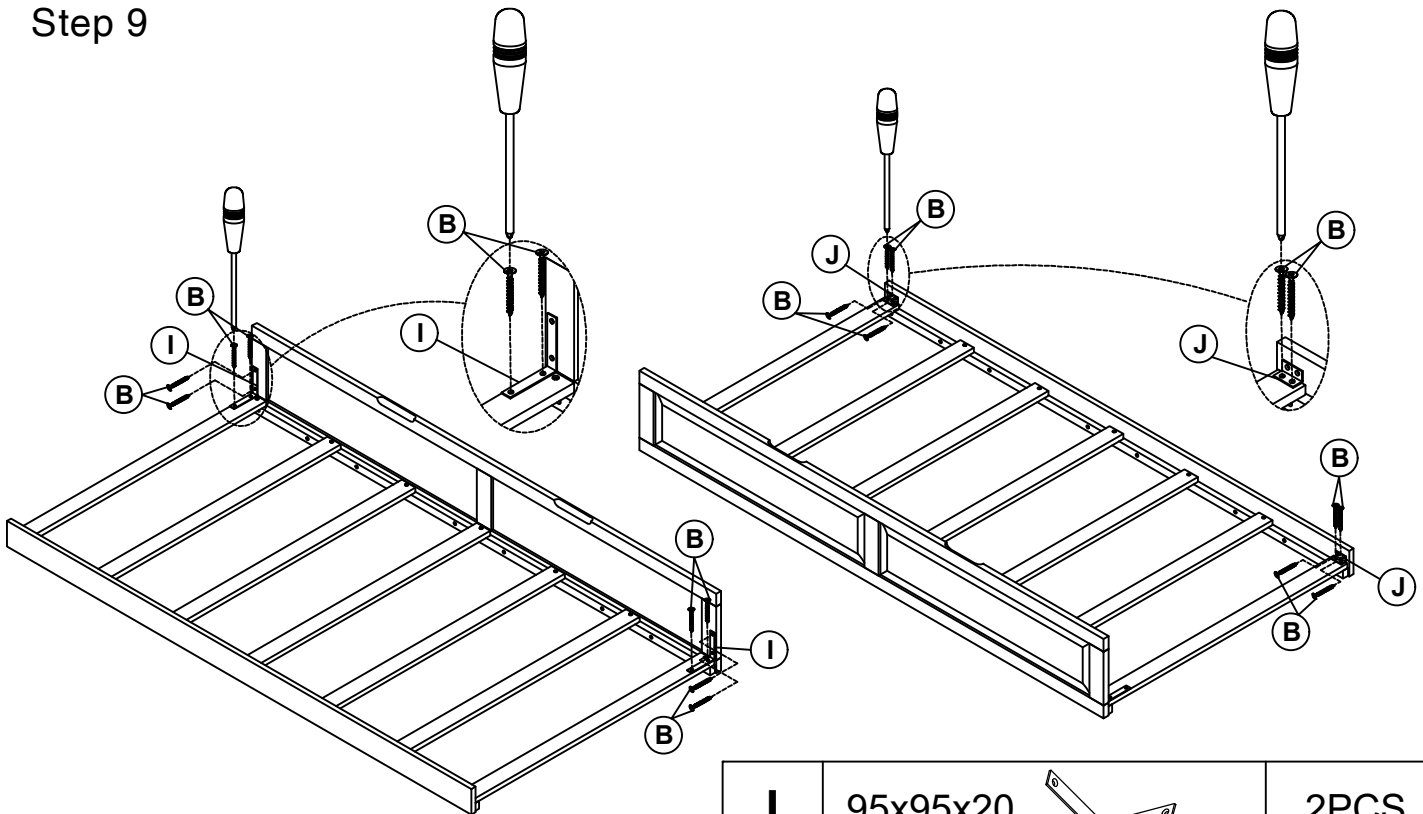
First attach 2 pcs part 25 to the front and end of the frame between headboard. Then attach the remaining part 25 equidistantly between headboard



Note : Do not lock the screws of the bed slats to the outermost edge of the bed slats, you need to leave a certain space at the edges, otherwise it will cause the board to break

A Ø4x30  14PCS

Step 9



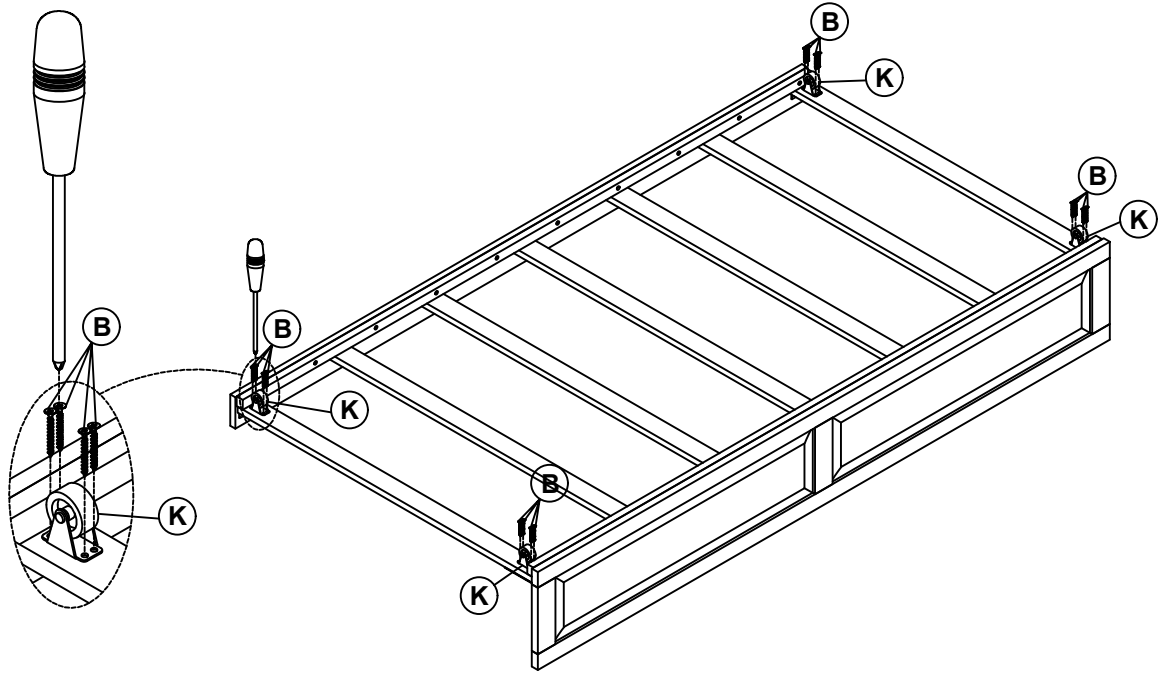
I 95x95x20  2PCS



B Ø4x15  16PCS

J 40x20x20  2PCS

ASSEMBLY INSTRUCTIONS

Step 10



B	Ø4x15		16PCS	K	Ø38x46x38		4PCS
----------	-------	-----------------------------------------------------------------------------------	-------	----------	-----------	-------------------------------------------------------------------------------------	------

Step 11

