

allen + roth™

BUTCHER BLOCK COUNTERTOP INSTALLATION

IMPORTANT INFORMATION ABOUT YOUR ALLEN + ROTH COUNTERTOP

PRIOR TO INSTALL

- Keep product in its packaging and away from humidity or direct heat until you are ready to install.
- Allow your countertop to acclimate for 72 hours prior to installation. Sand and apply a finish immediately after acclimating. (See pg. 2 for details).
- Lightly sand all surfaces of your Allen + Roth countertop with 120 grit sandpaper, in the direction of the wood grain, prior to applying finish.
- All surfaces of the Allen + Roth countertop must be finished. This includes top, bottom, edges and ends. Typical finish options include oil, wax, sealant, stain, urethanes, and acrylic. Apply finish according to finish manufacturer's instructions.

DURING INSTALL

- If Allen + Roth butcher block countertops are installed where food will be prepared, a food-safe finish is recommended.
- Reapply finish to any areas that have been cut during installation.
- DO NOT attach Allen + Roth countertops to an existing countertop.
- DO NOT glue Allen + Roth countertops down to fix their position; allow for movement during humidity and temperature changes.

AFTER INSTALL

- Do not place hot items directly on the surface. Contact with the wooden work surface may result in permanent damage.
- Clean the countertop in accordance with the finish manufacturer's instructions.
- Avoid leaving standing water on the countertop for a prolonged period of time.
- DO NOT cut or chop on Allen + Roth butcher block countertop, as it may cause scoring. Always use a chopping block.
- If light scratches occur, sand the surface lightly with 120 grit sandpaper and re-apply finish.

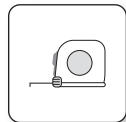
TOOLS REQUIRED:



120 Grit Sandpaper



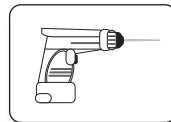
PVA Glue



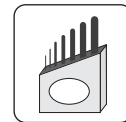
Measuring Tape



Pencil



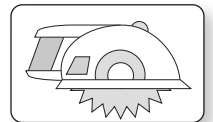
Drill



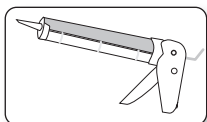
Set of Drill Bits



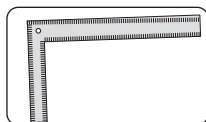
Screw Driver



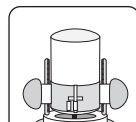
Circular Saw



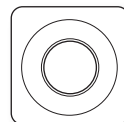
Silicone Sealant & Gun



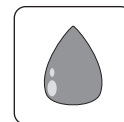
Carpenter Square



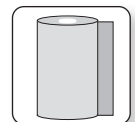
Router



Masking Tape



Finish

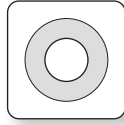


Self-Adhering Aluminum Flashing

HARDWARE:



#10 Wood Screws



#10 Washers

*How To Determine Screw Length

The appropriate length #10 screws and washers should be carefully chosen so the screw does not go all the way through the top, but the depth of penetration is enough to secure the butcher block countertop in place.

Butcher Block 3/4" Pilot Hole + Sub-Top Cabinet Base Thickness

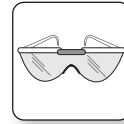
SAFETY:



Dust Mask



Ear Protection



Safety Glasses



Protective Gloves

ACCLIMATING BUTCHER BLOCK



Allow your Allen + Roth butcher block countertop to acclimate to your home temperature for 72 hours prior to installation. This allows the wood to stabilize in the new environment. Store the countertop in a flat position to avoid warping.

LAYOUT AND CUTOUT

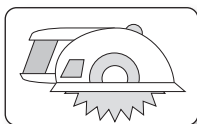
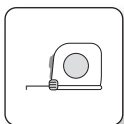
STEP 1 - PRE-SITE SURVEY

Note: Installation is recommended to be performed by an experienced installer. Please see pages 3-4 for installations with additional layout considerations

Begin planning with a pre-site survey; ensure that planning starts at the sink. It is recommended to create a template to ensure the most accurate cuts are made. Plan countertop layout to ensure joints don't fall on or within 4" of appliances. Always leave an expansion of 1/8 inch on all edges that will meet up to a wall or a restrictive barrier. Use silicone caulking or a backsplash/trim to fill the 1/8 inch expansion gap.



STEP 2 - VERIFY MEASUREMENTS



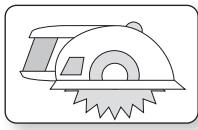
Verify measurements before making the necessary cuts to the product. If your Allen + Roth countertop requires cutting for proper installation, either for a size adjustment or for a sink or cook top cutout, reapply finish to the cut edges immediately. Use a circular saw to cut the butcher block blank to size, ensuring the ends are squared using a router.

STEP 3 - TAPE & MARK CUT LINE

Carefully measure the width of the run of cabinets to be covered with butcher block, including any desired overhang, if applicable. After determining the necessary cuts to be made, draw the cut line boldly with a pencil, using a carpenter's square to draw a straight line. Place a layer of masking tape over the pencil line. Press the masking tape firmly.



STEP 4 - CUT



EXAMPLE:
 $1-1/2" + 1/4" = 1-3/4"$ BLADE DEPTH

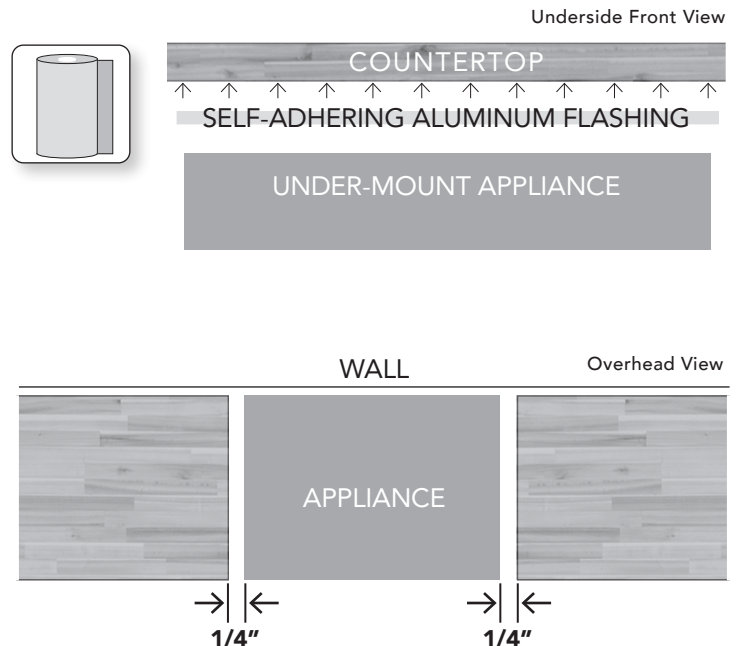
To begin cutting using the circular saw, adjust the blade so that it extends 1/4" below the bottom of the butcher block countertop. A blade that hangs too low beyond the thickness of the wood may pull at the wood fibers, causing tears and splintering. Make the necessary cuts into the butcher block along the pencil line. Move the circular saw at a slow and even pace to ensure the blade does not tear the wood.

Note: If burn marks appear while cutting, sand the surface lightly with 120 grit sandpaper and re-apply finish.

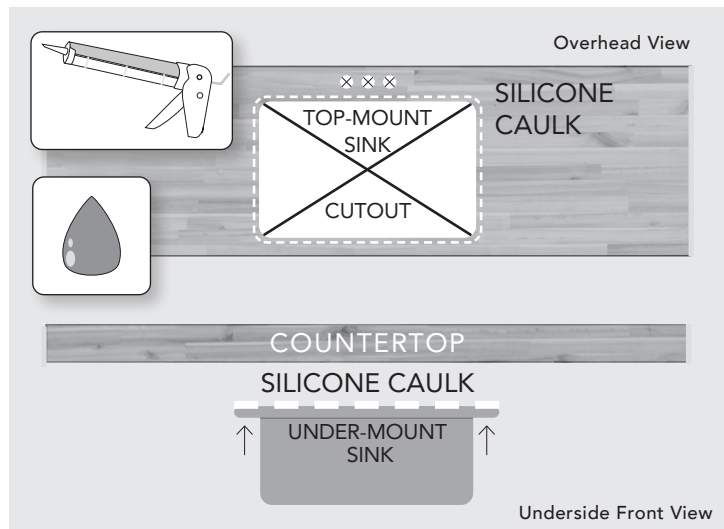
KITCHEN APPLIANCE PLACEMENT

Additional considerations should be made when installing a Allen + Roth butcher block countertop around appliances and countertops with stove cutouts. Where appliances have heat acting on the countertop, such as dishwasher, under counter oven, or warming drawer, attach self-adhering aluminum flashing to the underside of the butcher block. This will assist in keeping heat and steam away from the block and cut down heat transference. The fitting of cooktops must not restrict the countertop from expanding and contracting. Ensure that there is at least 1/4" clearance all around the cooktop. To avoid splintering when cutting into the butcher block, it is recommended that masking tape be applied over the area that will be cut.

NOTE: Reapply finish to any areas that have been cut during installation.



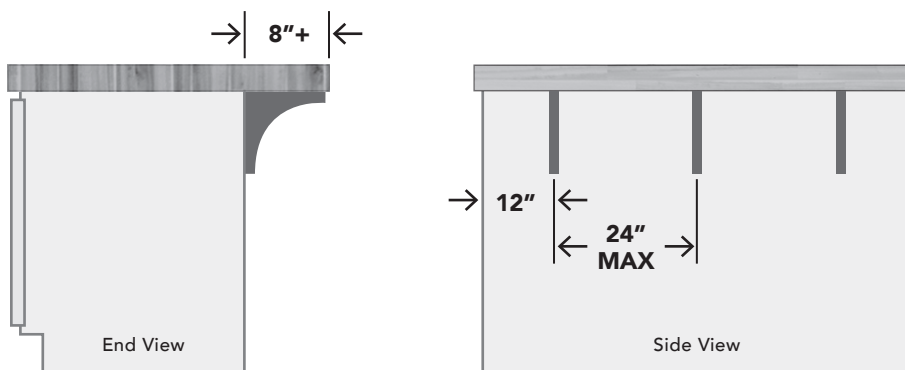
SINK AND FAUCET PLACEMENT



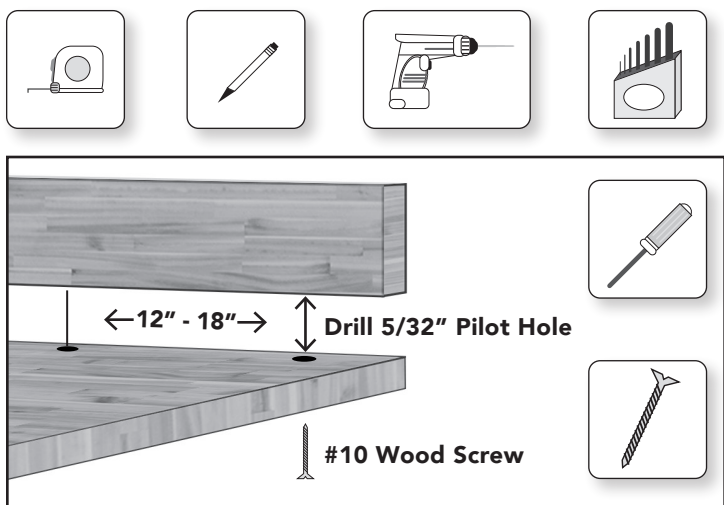
Silicone sealant should be used in sink applications to form a water tight bond between the countertop and the sink. To seal top-mount sink openings, apply a thin bead of silicone caulk under the sink flange. For top-mount sinks, apply a thin bead of caulk to the top of the sink flange. The fitting of sinks must not restrict the countertop from expanding and contracting. Ensure that there is at least 1/4" clearance all around the sink. For faucet holes/cutouts, ensure that the hole is a minimum 1/8" larger than the pipe diameter. Apply finish to the the inside of the faucet hole. Finally seal the faucet and hole with a silicone sealant. To avoid splintering when cutting into the butcher block, it is recommended that masking tape be applied over the area that will be cut.

OVERHANG PLACEMENT

Overhangs less than 8" do not require additional support. If the layout includes any overhangs 8" or larger, additional support corbels or brackets will be required at least every 24".



WOOD BACKSPLASH PLACEMENT



Allen + Roth backsplash material may be screwed to the Allen + Roth butcher block countertop prior to installation by drilling pilot holes and screwing from the bottom of the block into the backsplash material. Attachment to the cabinet base is not necessary for the attachment of the backsplash. The number of installation fasteners is to be determined by the installer. It is recommended that fasteners be put every 12"-18".

NOTE: For non-wood backsplash applications, allow a 1/8" gap between the edge of the countertop and the wall, which will allow it to expand and contract within the humidity of the kitchen. Use silicone caulking or trim to fill the 1/8 inch expansion gap.

CORNER JOINT PLACEMENT

When joining two Allen + Roth butcher block countertops together, the butt joint method is recommended. Three standard worktop jointing bolts must be used on each joint. Cut bolt cutouts to a depth of 25/32" using a worktop jig and router. Join using PVA which should be applied to

the top and bottom edge of the joint. Tape each side of joint to avoid PVA spreading over the countertops. Ensure cut edges are sealed before installing. Butt Joints with opposing grain direction are never to be glued, instead use silicone sealant.



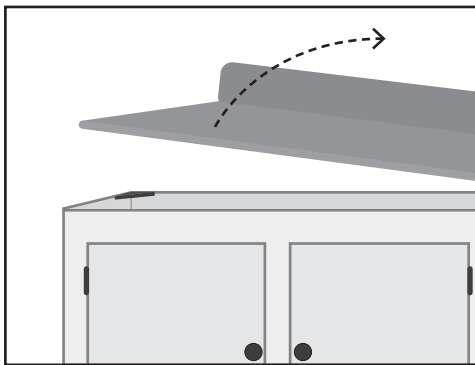
MOUNTING BUTCHER BLOCK STEPS



PLACEMENT CONSIDERATIONS, SIZING ADJUSTMENTS AND CUTS MUST BE MADE PRIOR TO MOUNTING



MOUNTING STEP 1 - REMOVE EXISTING TOP



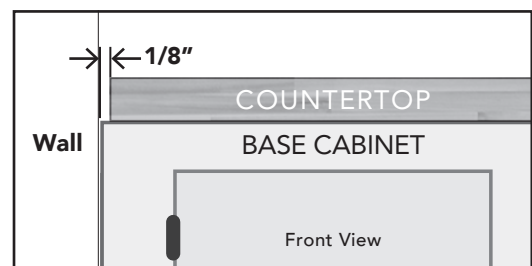
It is not recommended to attach your Allen + Roth countertop directly on top of a solid underlayment or existing countertop; remove existing top if applicable.

NOTE: If a solid particleboard or MDF underlayment is required, use a 1/4" drill bit to drill holes every 6" to 9" for adequate ventilation.

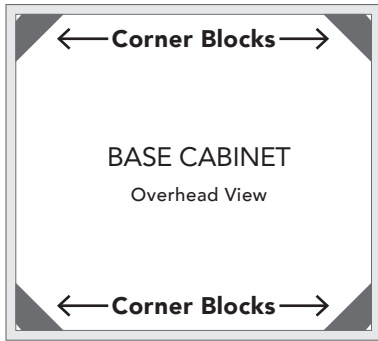
MOUNTING STEP 2 - COUNTERTOP PLACEMENT

Place your Allen + Roth countertop in the location that it will be installed. Allow 1/8" of room for expansion at each end. The gap can be concealed with backsplash material or trim. Verify spacing and cuts are accurate.

NOTE: Butcher block surfaces should never be attached with caulk or construction adhesive as this will prevent natural movement and result in damage to the top.



MOUNTING STEP 3 - SCREW LOCATIONS



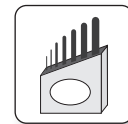
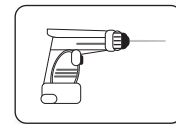
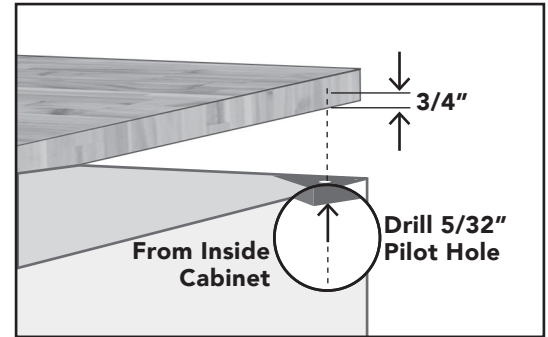
Minimal screws are required as the top will be held down by self-weight. Use only enough screw to secure the countertop. Too many screws can keep the top from moving freely and can result in damage. Most cabinet manufacturers provide corner blocks or plywood within the cabinet for attaching the countertop to the cabinet base; screw locations are usually in the corners. The number of screws is to be determined by the installer. It is recommended to apply screws every 12 to 18 inches.

NOTE: If there is not a cabinet corner block to secure to the countertop, other commonly used installation methods may be utilized including the use of 1/2" steel angle brackets.

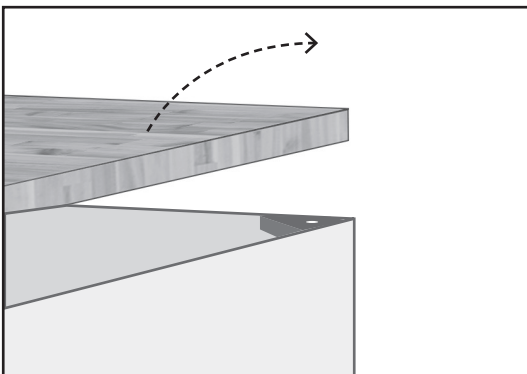
MOUNTING STEP 4 - DRILL PILOT HOLES

Measure the thickness of the sub-top base and then add 3/4" to account for the countertop pilot hole. DO NOT exceed the calculated measurement or you risk surface penetration. Using the fastener locations marked in step 3, drill the pilot hole using the 5/32" drill bit upward through the corner blocks and into the countertop from below. DO NOT drill through the top of the countertop.

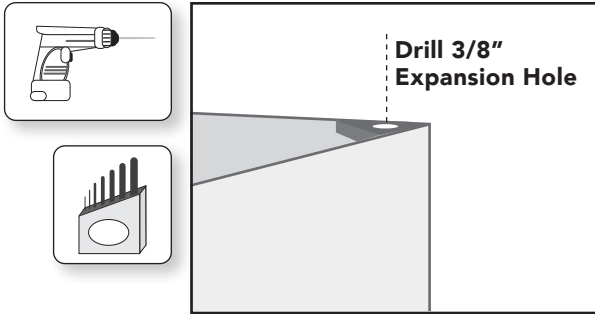
NOTE: It is important to drill the pilot hole before mounting the countertop to avoid splitting the wood of the countertop during the mounting process.



MOUNTING STEP 5 - REMOVE THE COUNTERTOP FROM THE CABINET BASE



MOUNTING STEP 6 - EXPANSION HOLES



Use a 3/8" drill bit to create an expansion hole in the corner block cabinet base in the same location as the pilot holes in step 4, repeat for each fastener. This will enlarge the pilot holes in the sub-top created with the 5/32" bit. DO NOT enlarge the pilot holes in the Allen + Roth countertop.

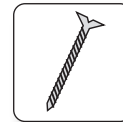
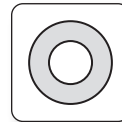
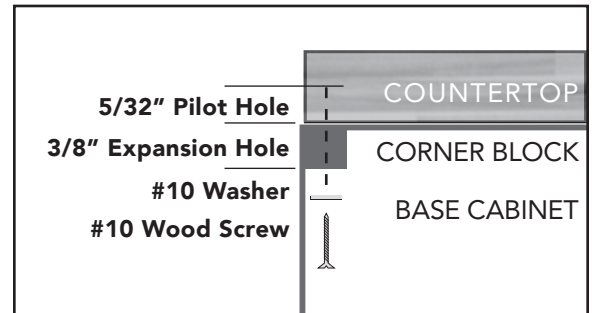
NOTE: This allows the countertop to expand and contract after installation.

MOUNTING STEP 7 - COUNTERTOP PLACEMENT

Place the Allen + Roth countertop back in the desired location and line up the pilot holes on the countertop to the corner block expansion holes that were previously drilled.

MOUNTING STEP 8 - FASTENING COUNTERTOP

On the underside of the sub-top cabinet base, place the washer on the screw and drive the screw into the expansion holes in the sub-top and pilot hole in the Allen + Roth countertop. Be careful not to over tighten.



This concludes the Allen + Roth butcher block countertop standard installation process.