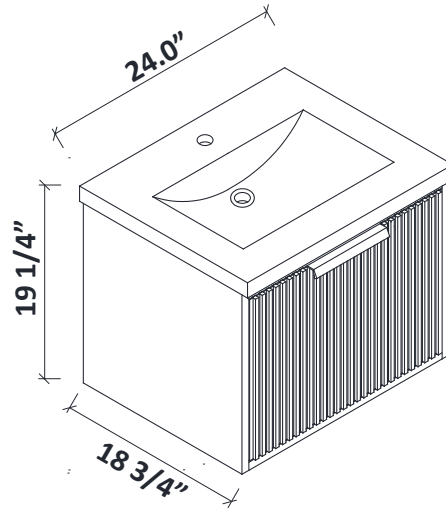
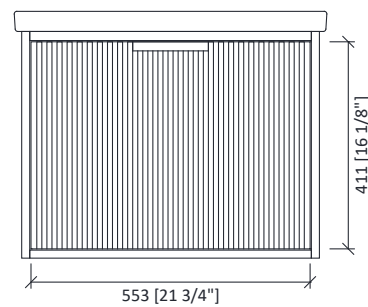
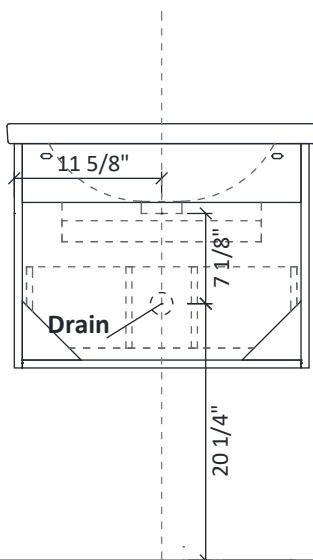
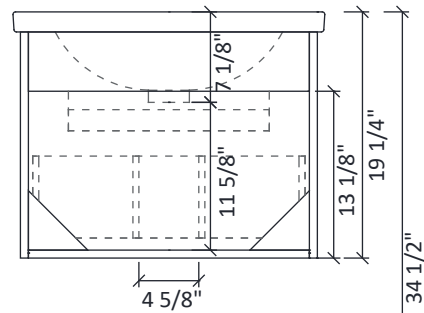
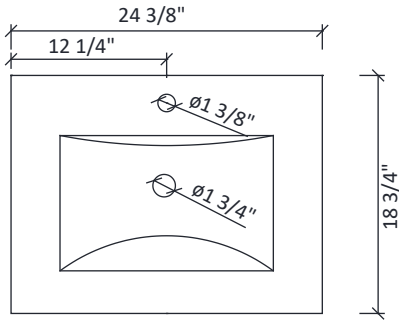


# San diego 24 Floating Vanity Installation Instruction



## DIMENSIONS



### **WARNING !**

*In the hole on the wall, please be sure to be careful to avoid the internal cables and pipelines.*






## MATERIALS & TOOLS

*Safety glasses, Pencil, Level, Tape measure, Stud Finder, Assorted screwdrivers, Assorted Wrenches, Drill, Screw gun, Caulking gun, Hammer, Screws, Nail anchors/Molly screws.*

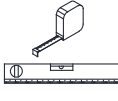



# Vanity Installation

## Step 1

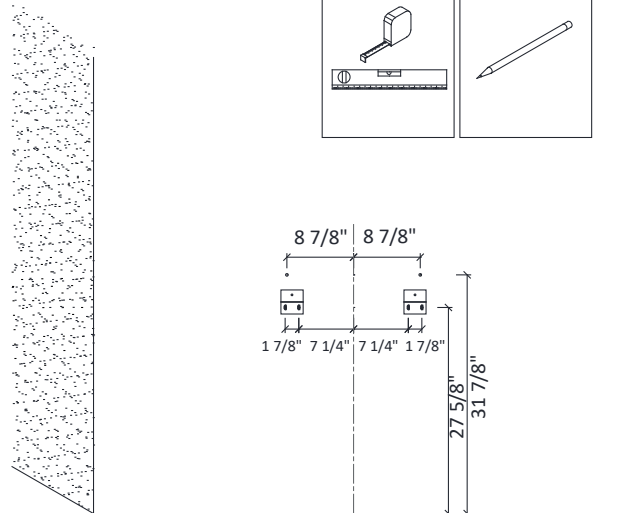
### PARTS

 A x2	 6*45 B x6	 C x2	 3.5*15 D x2
 E x6			

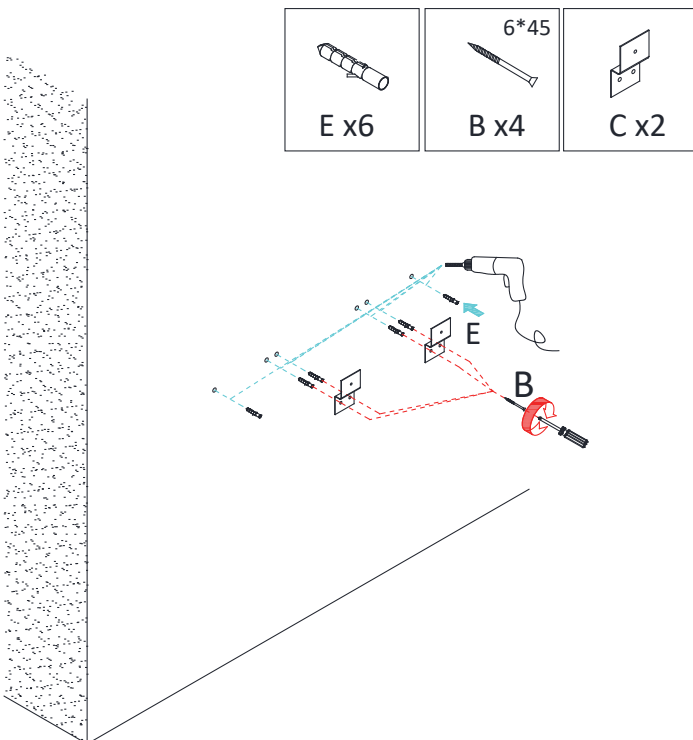
### TOOLS REQUIRED

			
---	---	---	---

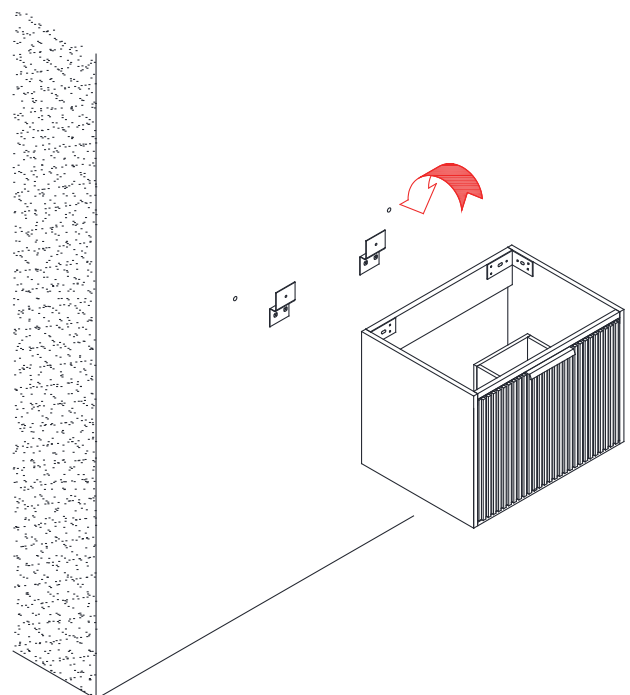
## Step 2



## Step 3

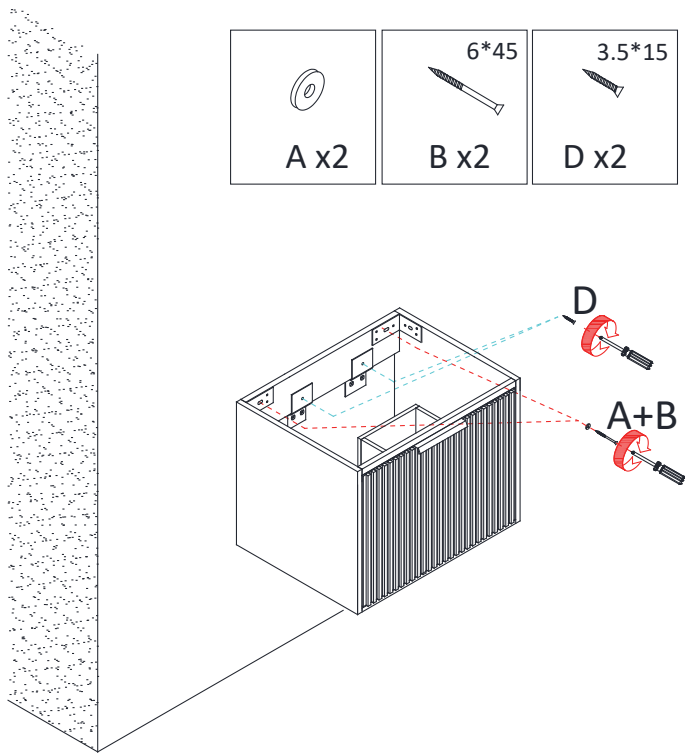


## Step 4

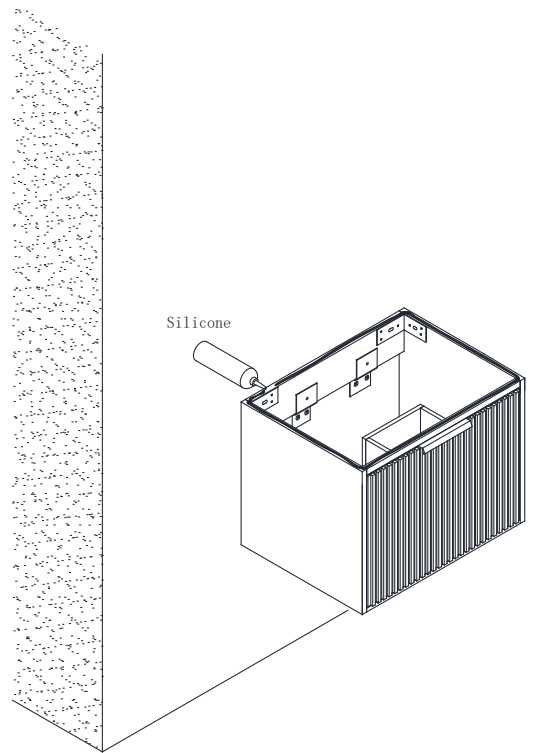


# Vanity Installation

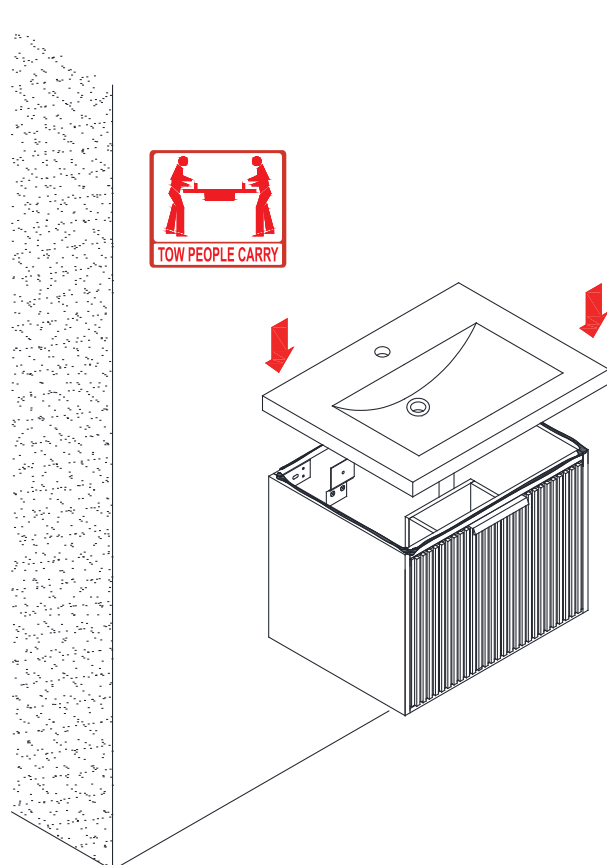
## Step 5



## Step 6



## Step 7



## Step 8

