

PF-129	1219mmx1830mm	48"x72"
	1524mmx1830mm	60"x72"



Please keep this manual and product code number for future reference and for ordering replacement parts if necessary.

## GENERAL INSTRUCTIONS

Read this manual carefully and completely before proceeding.

.It is recommended that you wear safety glasses at all times during the i nstallation.

## INSTALLATION OVER CERAMIC TILES

If your shower door is to be installed over ceramic tiles, the tiles should lay completely under the wall jamb. Silicone should be used to seal the gap where the ceramic tiles meet the fixed panel.

## NOTICE

.Caulking: no sealant is required inside the shower, unless otherwise stated.

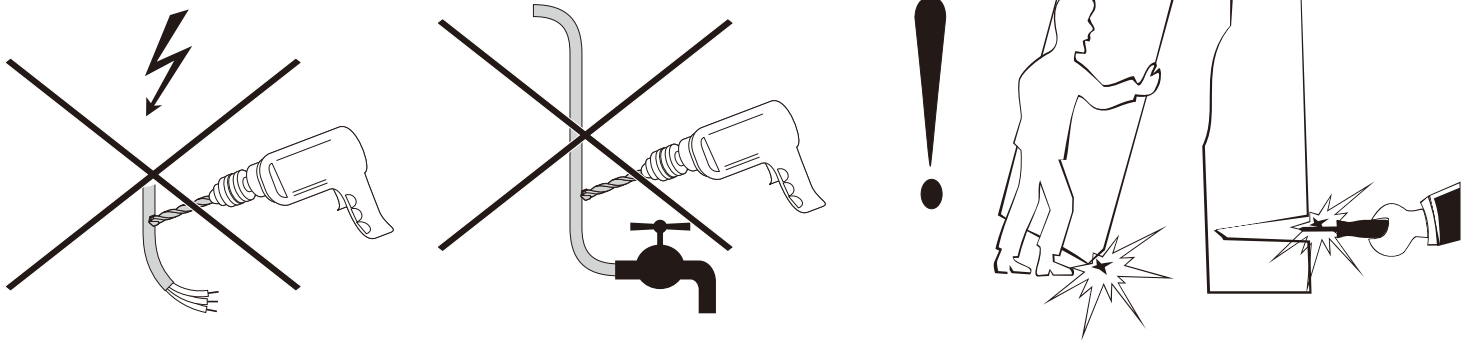
.Some models are equipped with clear sealing gaskets.

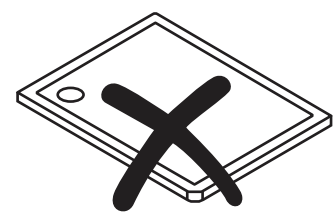
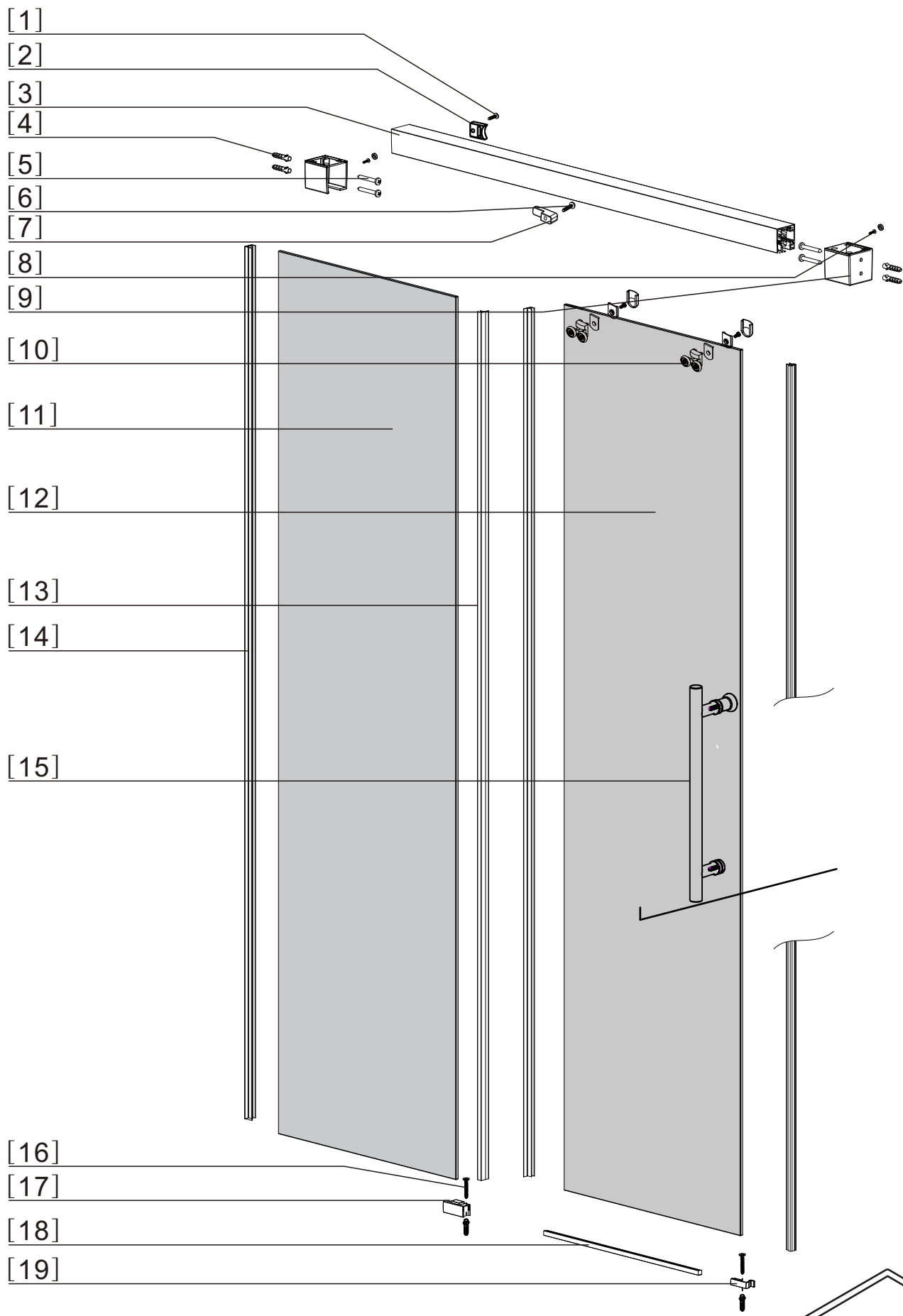
## CARE FOR YOUR SHOWER DOOR

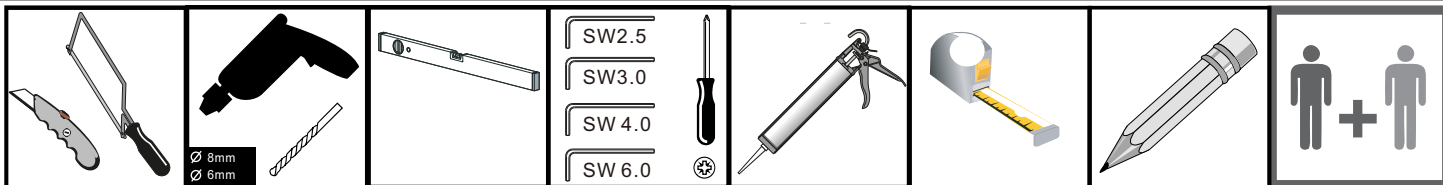
Never use scouring powder pads or sharp instruments on metal pieces or glass panels.

An occasional wiping down with a mild soap diluted in water is all that is needed to keep the panels and aluminum parts looking new.

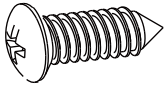
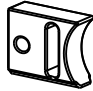



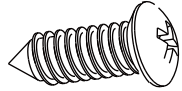
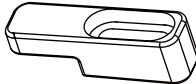
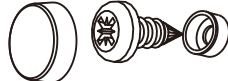

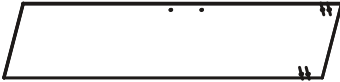
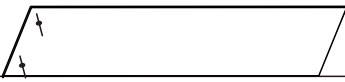

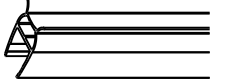
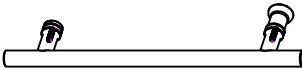

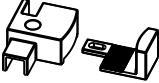
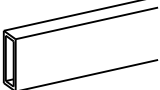
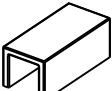
.We recommend wiping the glass panels with a squeegee after each use.



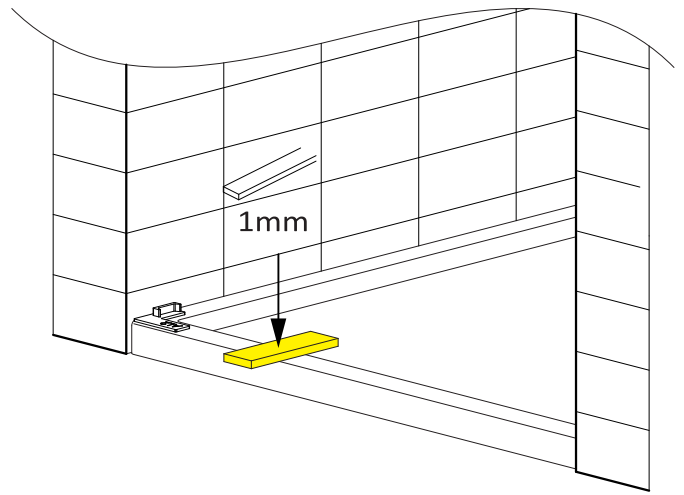
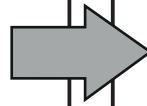
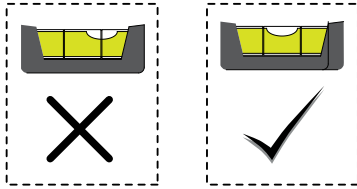
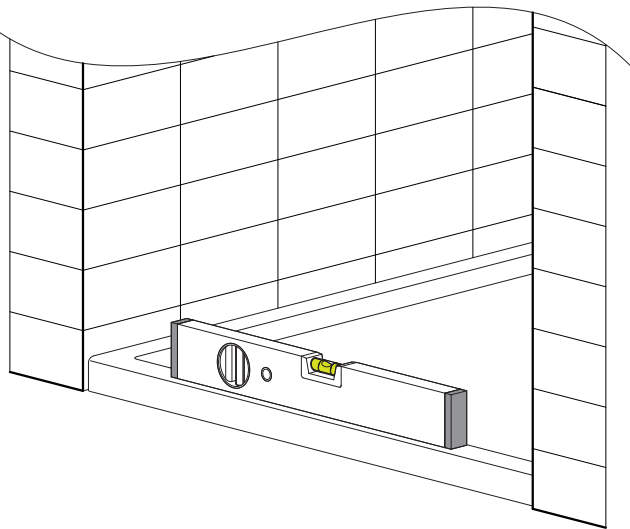




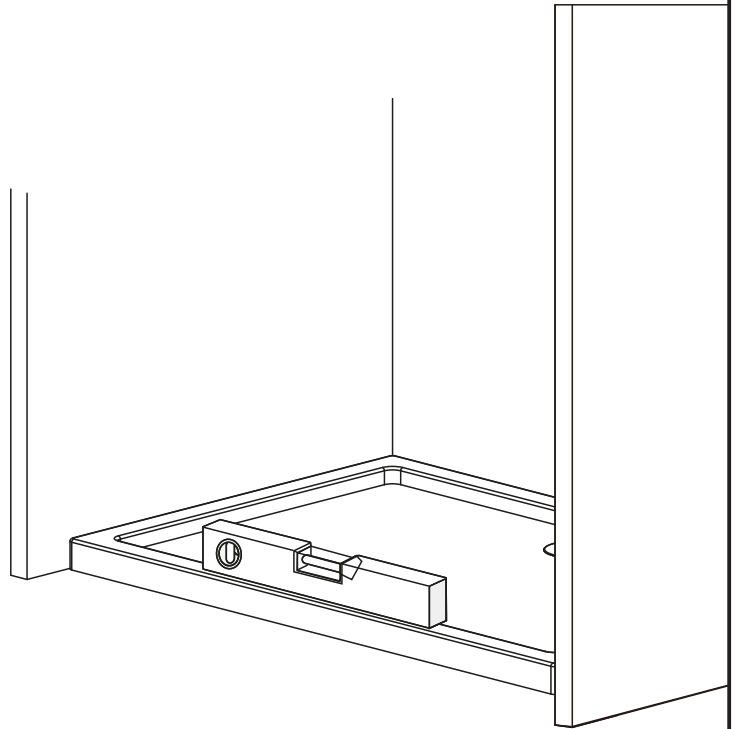
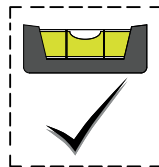
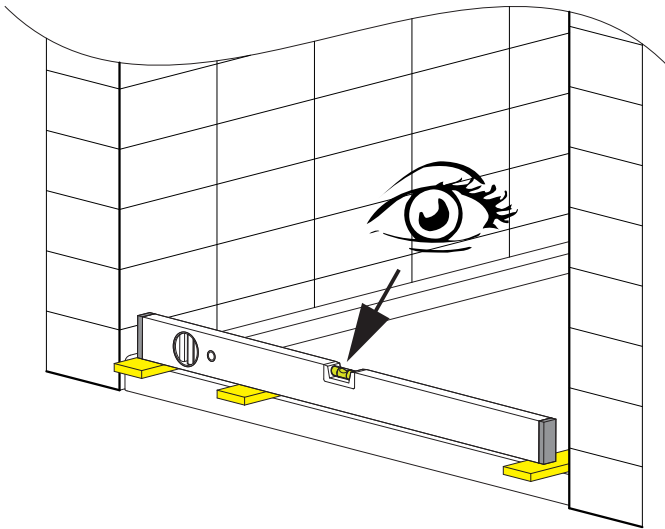
## ◆ Box Contents

Item	Part Name	Picture	Qty
<b>1</b>	4x12 Round Head Screw		<b>2</b>
<b>2</b>	Positioning Bracket		<b>2</b>
<b>3</b>	Aluminum Track		<b>1</b>
<b>4</b>	6mm Wall Anchor		<b>4</b>
<b>5</b>	4x30 Flat Head Screw		<b>4</b>
<b>6</b>	4x12 Round Head Screw		<b>1</b>
<b>7</b>	Glass Clamp		<b>1</b>
<b>8</b>	4x18 Round Head Screw with Decorative Cap		<b>2</b>
<b>9</b>	Top Roller with Spring Mechanism (Double Wheel)		<b>2</b>
<b>10</b>	Wall-Mounted Track End Cap		<b>2</b>
<b>11</b>	Sliding Glass Panel		<b>1</b>
<b>12</b>	Fixed Glass Panel		<b>1</b>
<b>13</b>	F-Shaped Water Seal Strip		<b>2</b>
<b>14</b>	Waterproof Buffer Seal Strip		<b>2</b>
<b>15</b>	300mm Stainless Steel Handle with Holes		<b>1</b>
<b>16</b>	4x30 Flat Head Screw		<b>2</b>
<b>17</b>	Bottom Plastic Guide Block		<b>2</b>
<b>18</b>	Bottom Water Seal Strip		<b>1</b>
<b>19</b>	Bottom Seal Retainer Clip		<b>1</b>

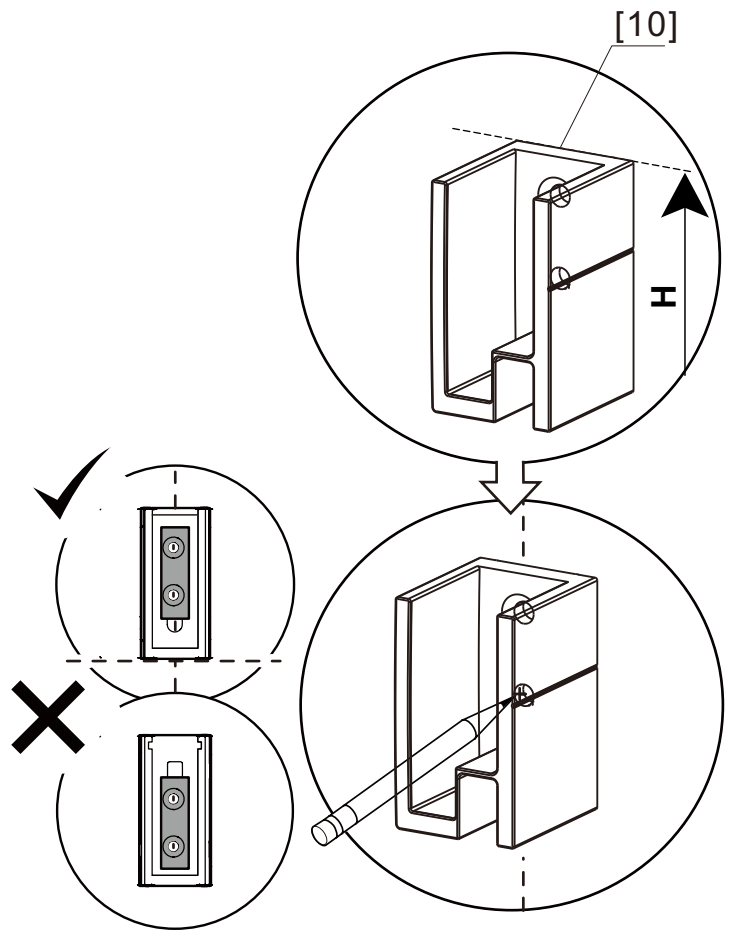
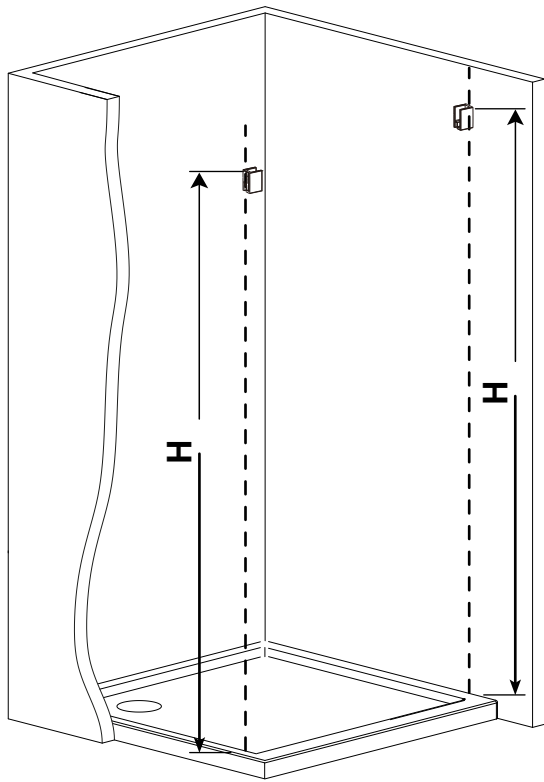
1



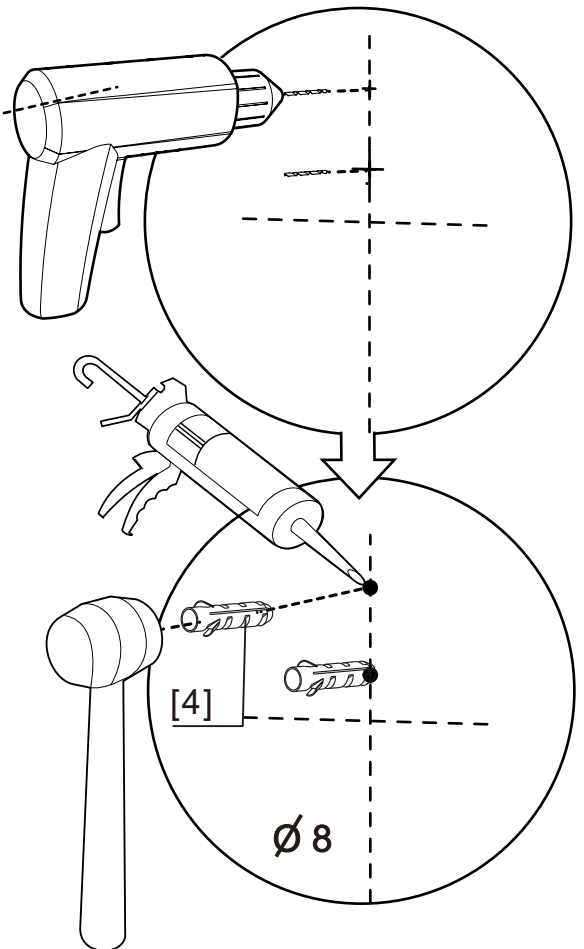
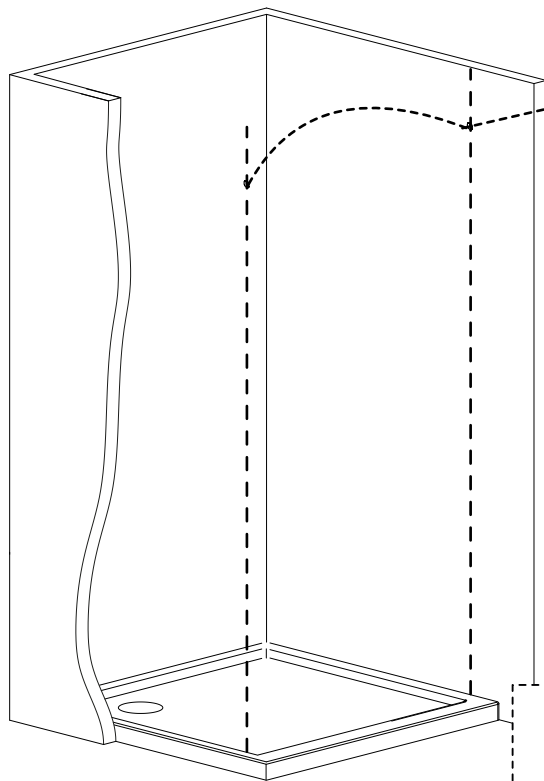
1.1



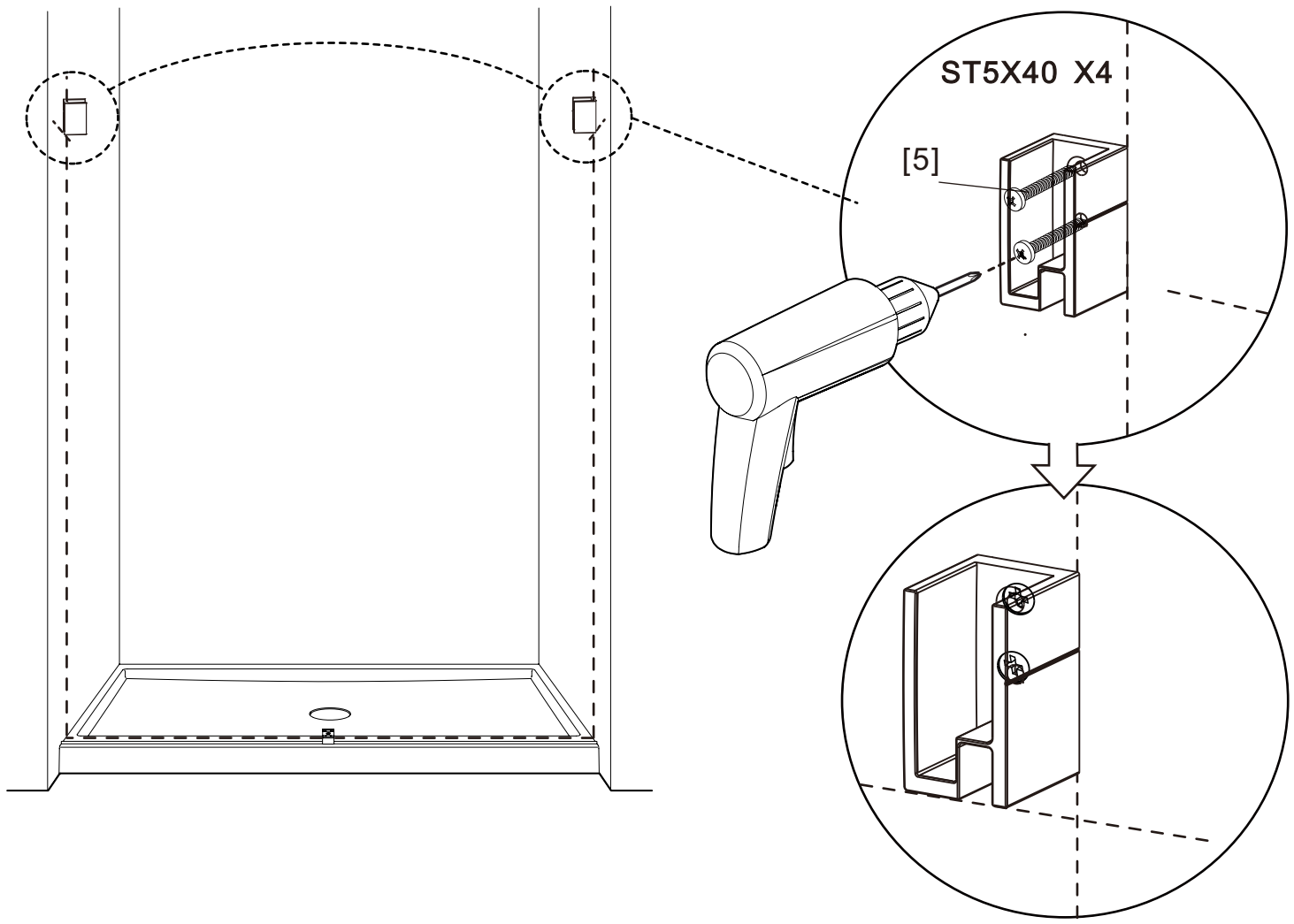
2



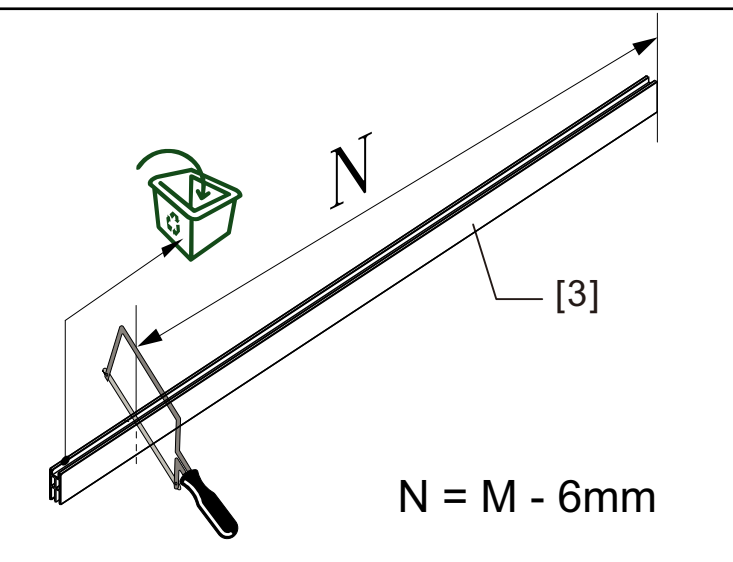
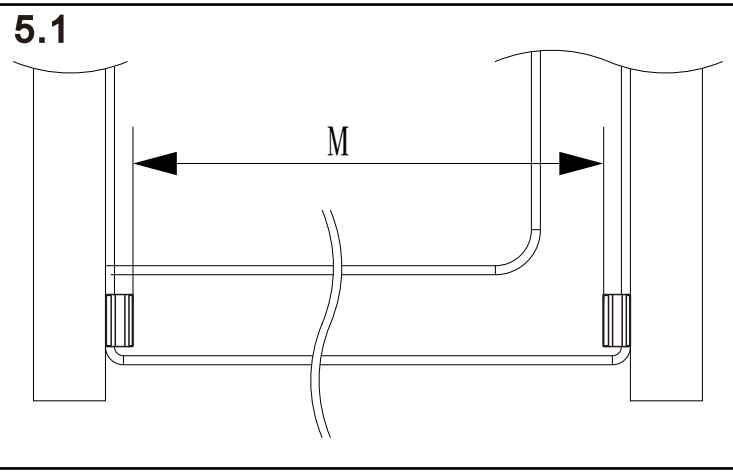
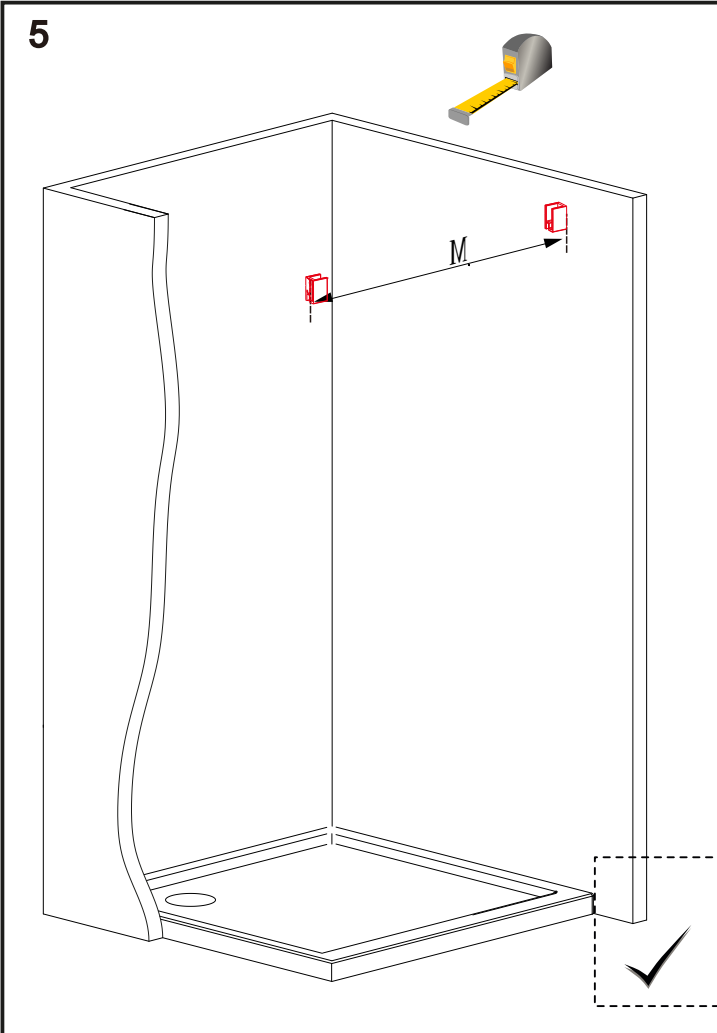
3



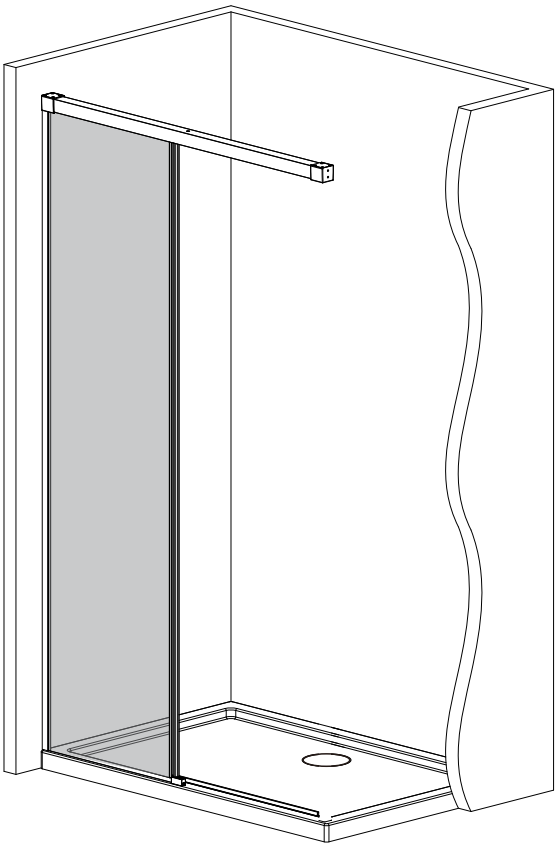
4



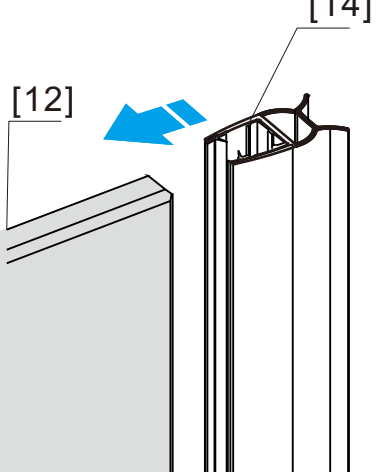
5



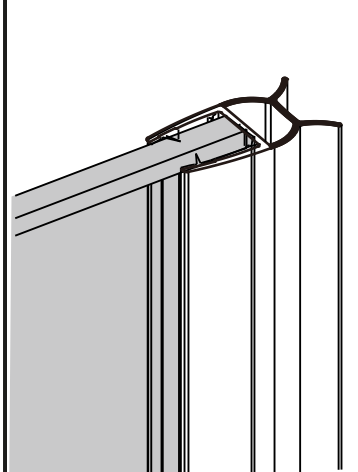
6



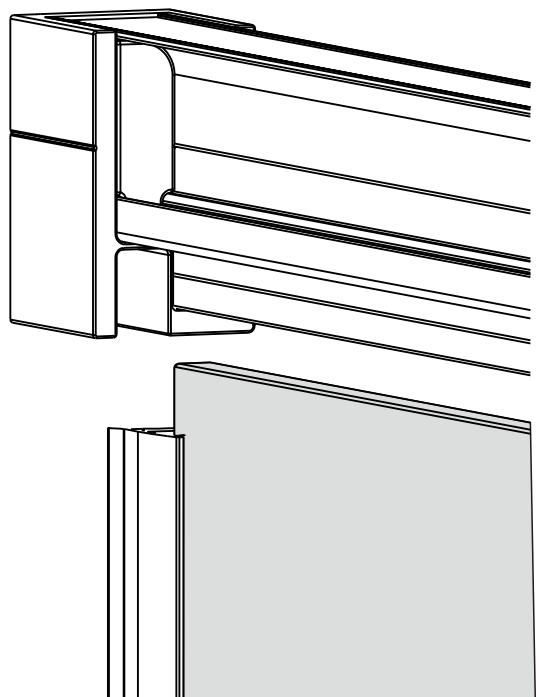
6.1



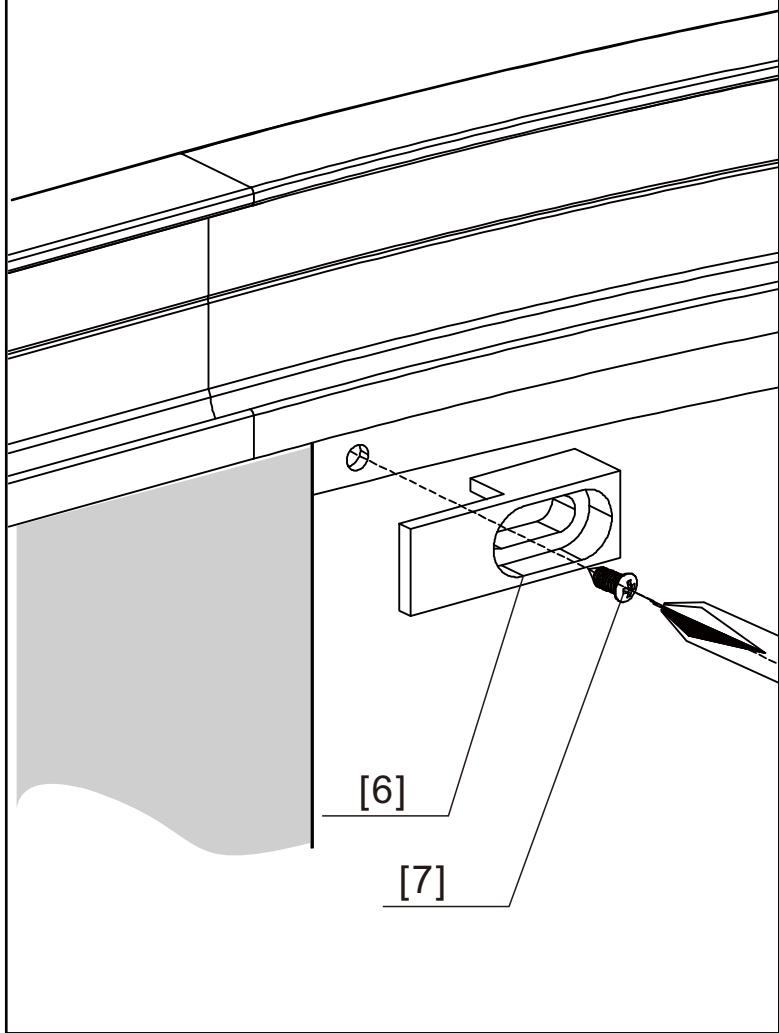
6.2



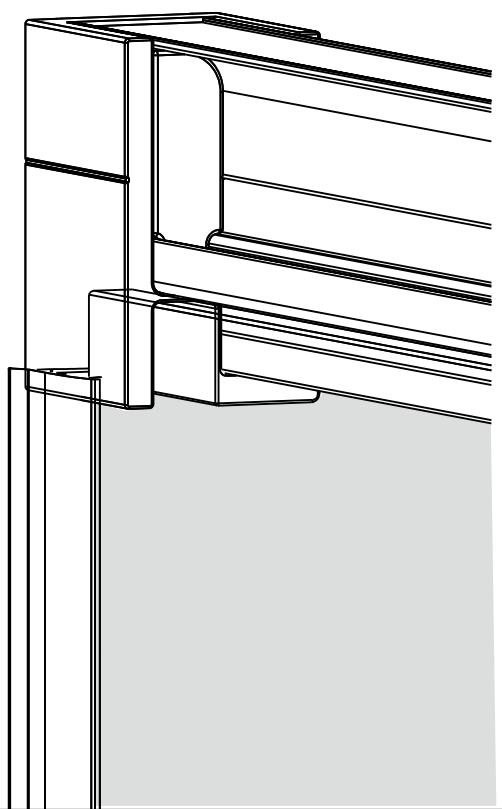
6.3



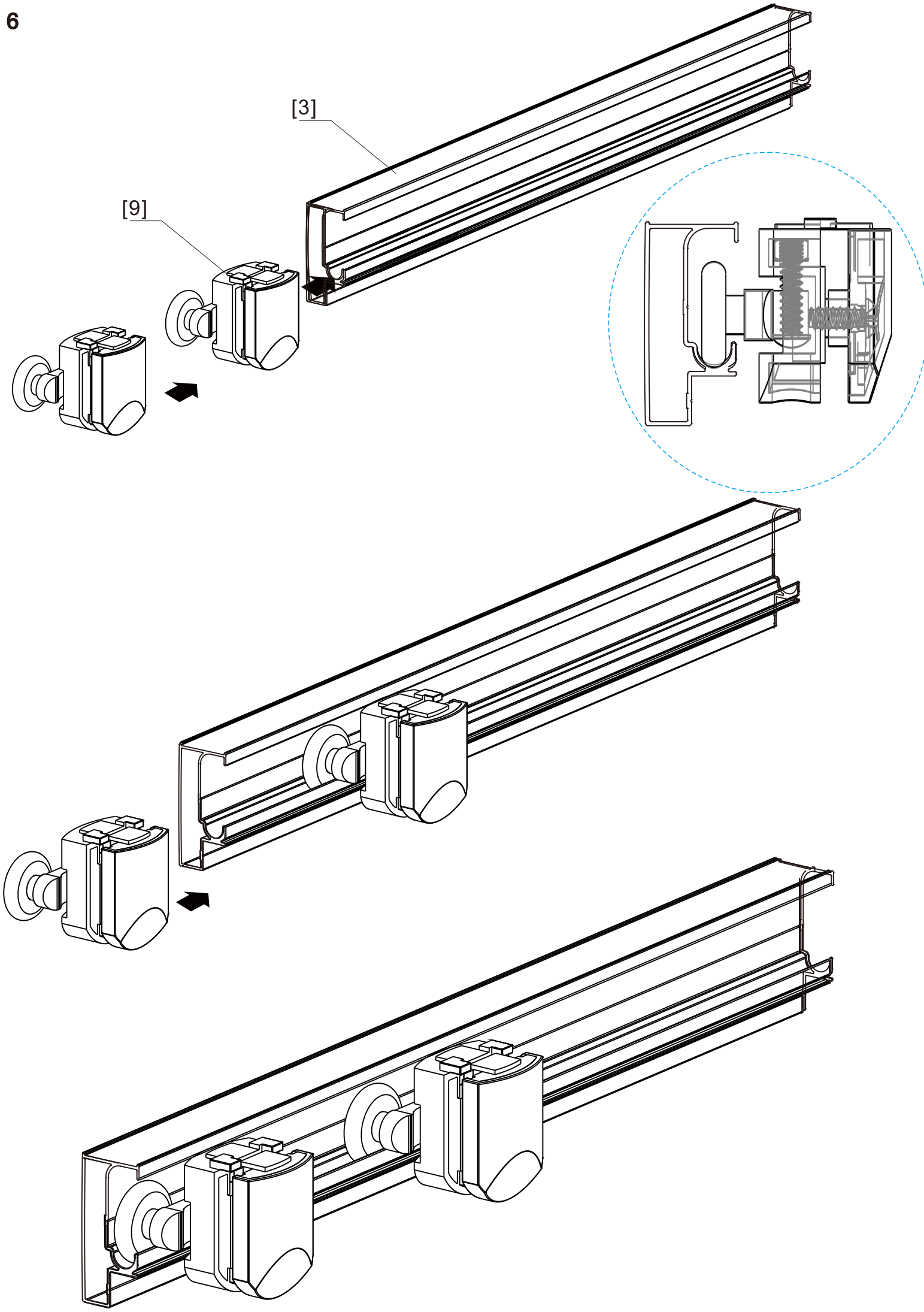
6.5



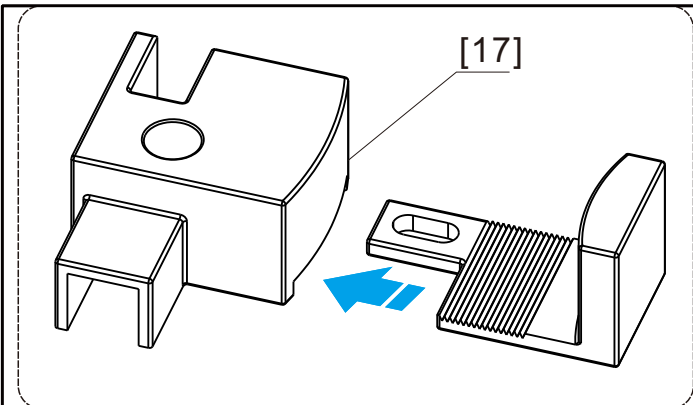
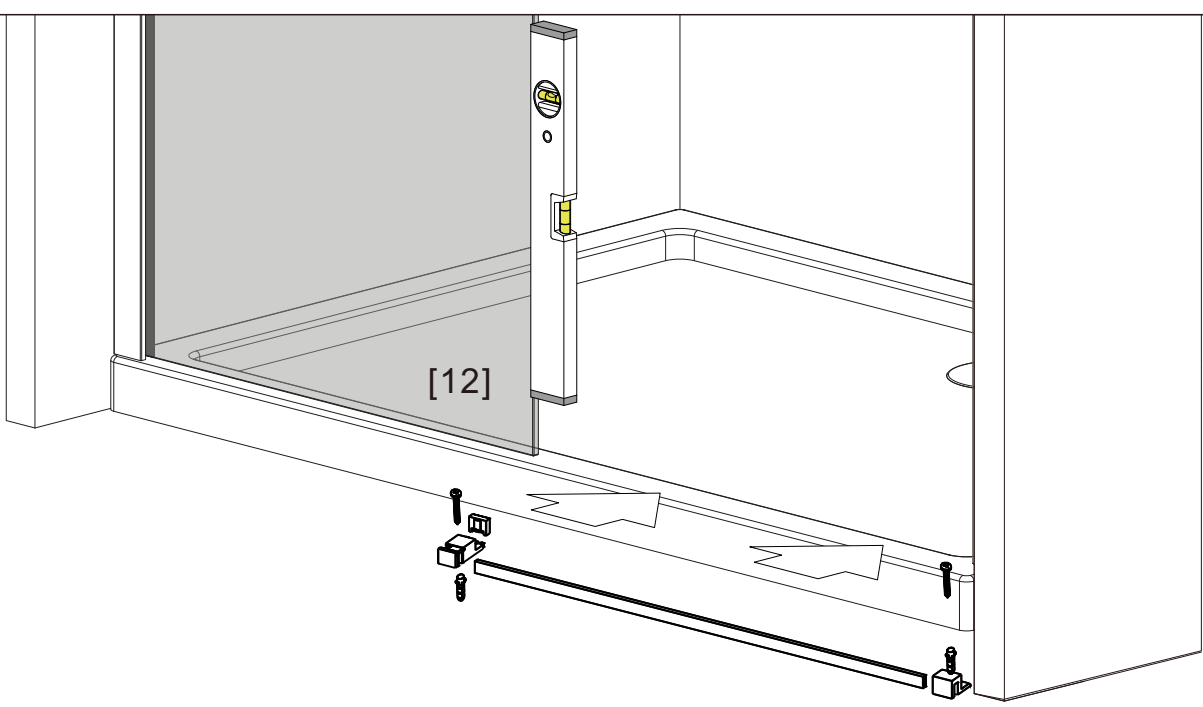
6.4



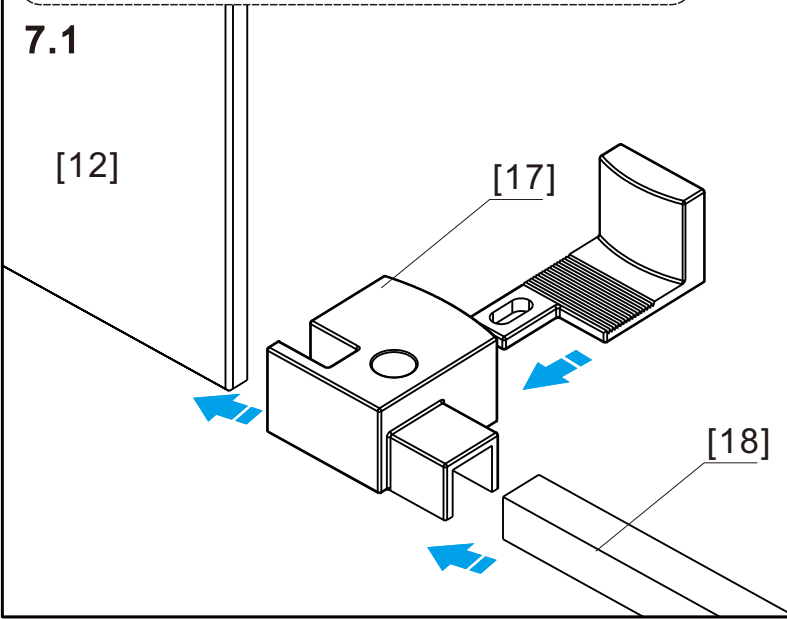
6



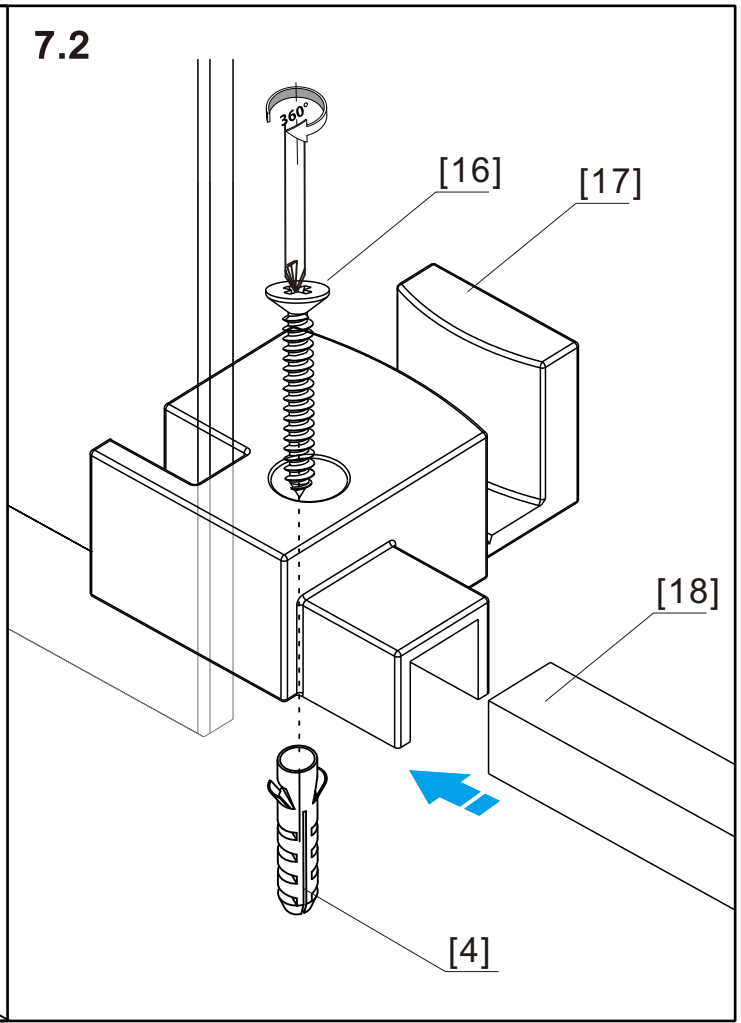
7



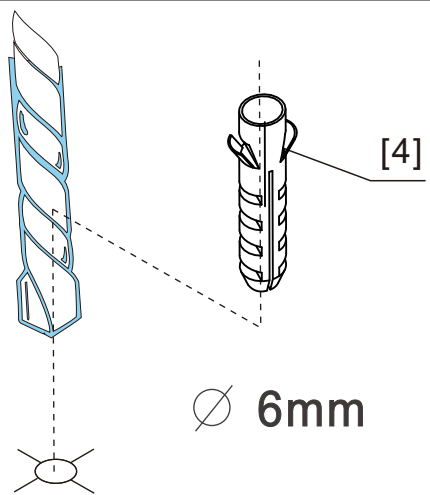
7.1



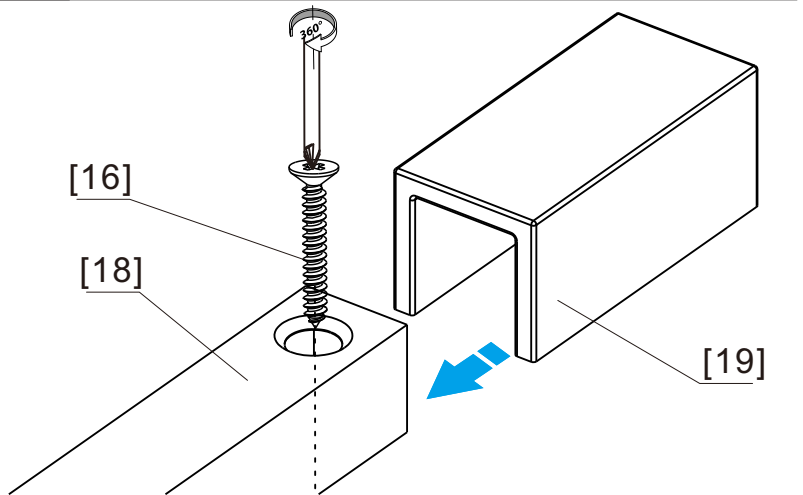
7.2



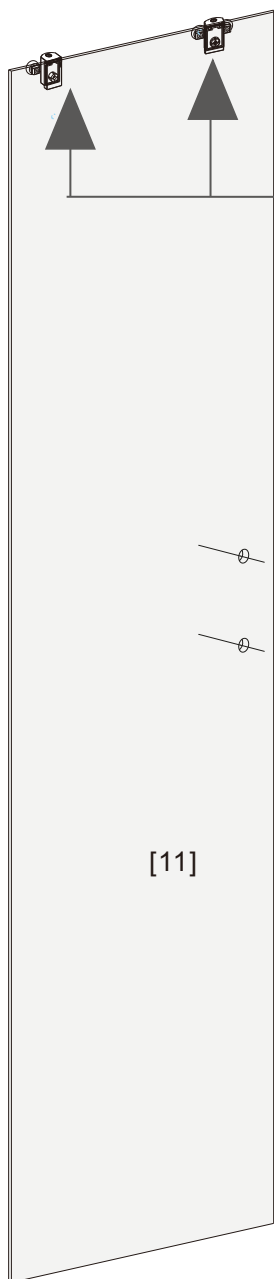
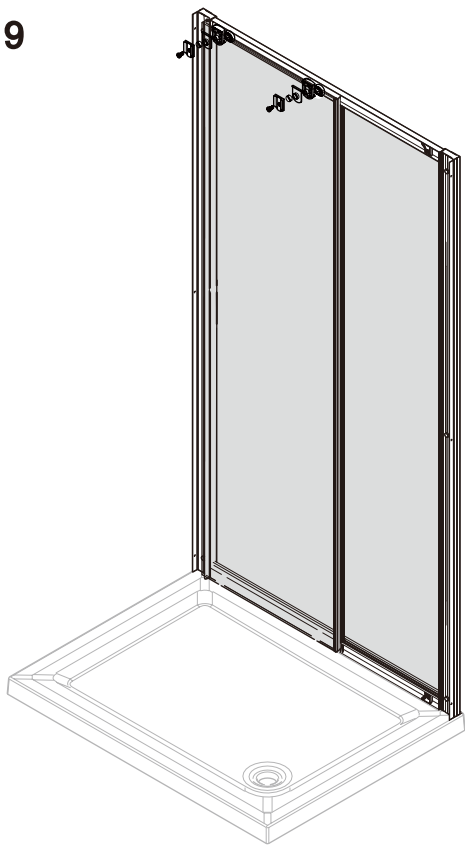
7.3



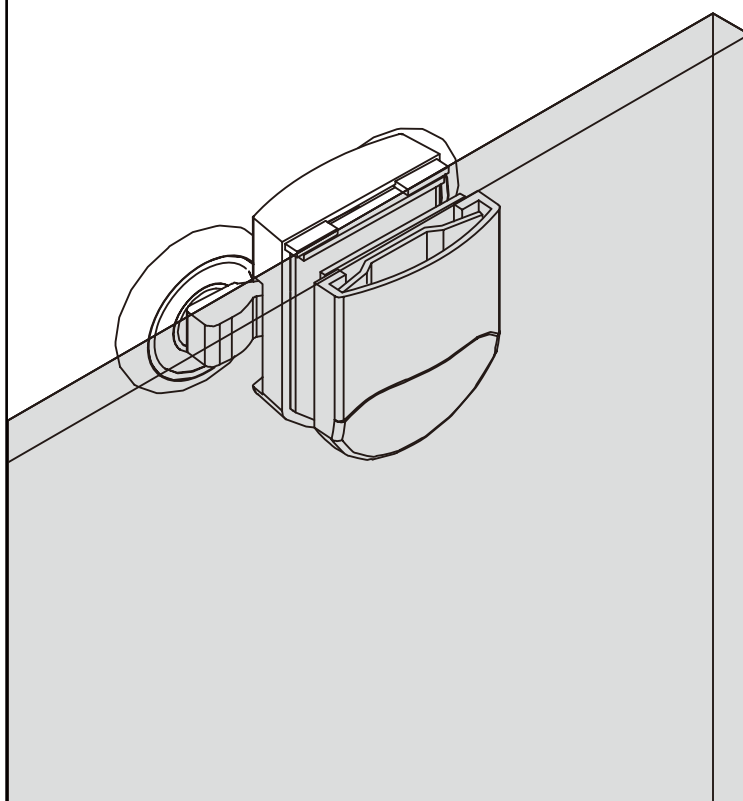
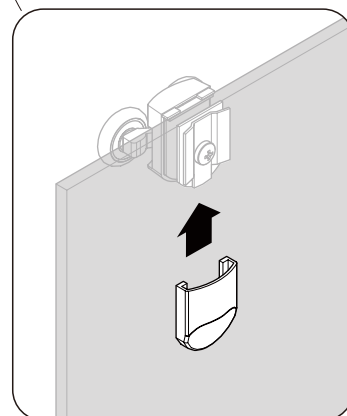
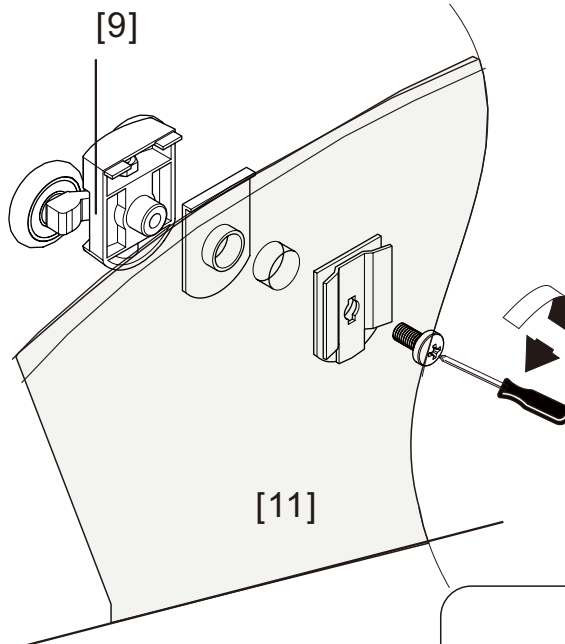
7.4



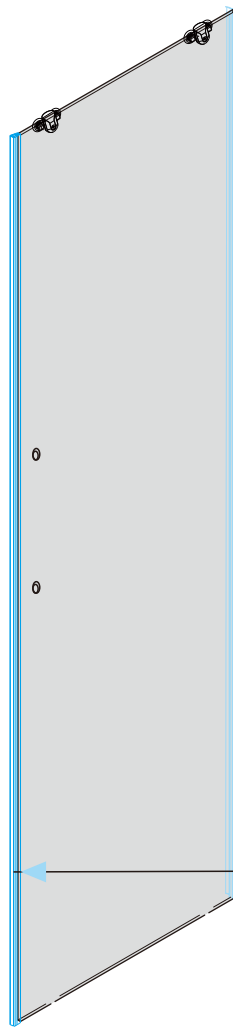
9



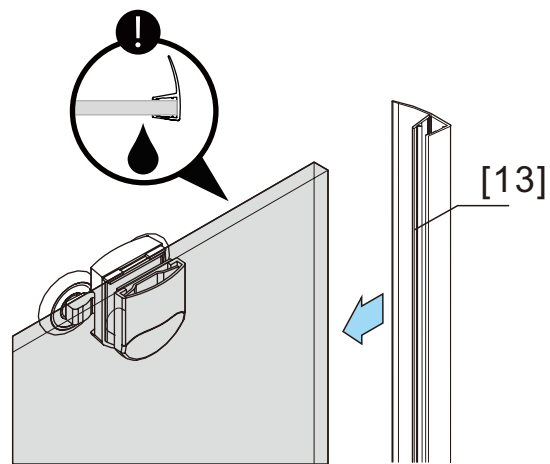
9.1



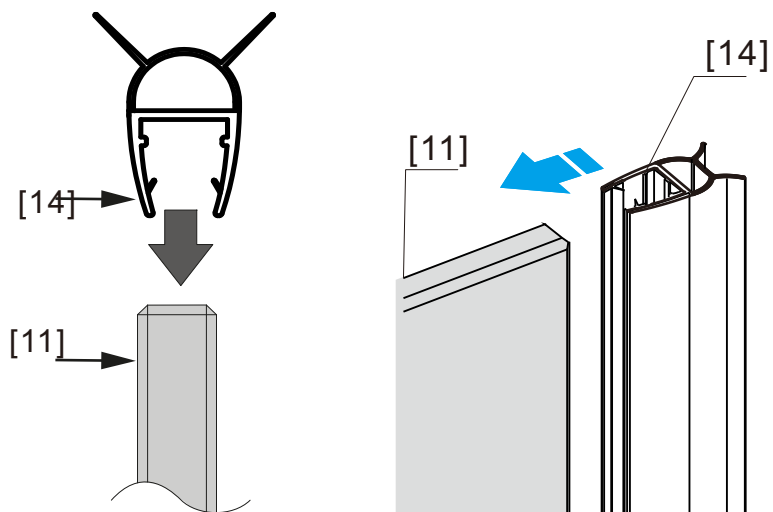
10



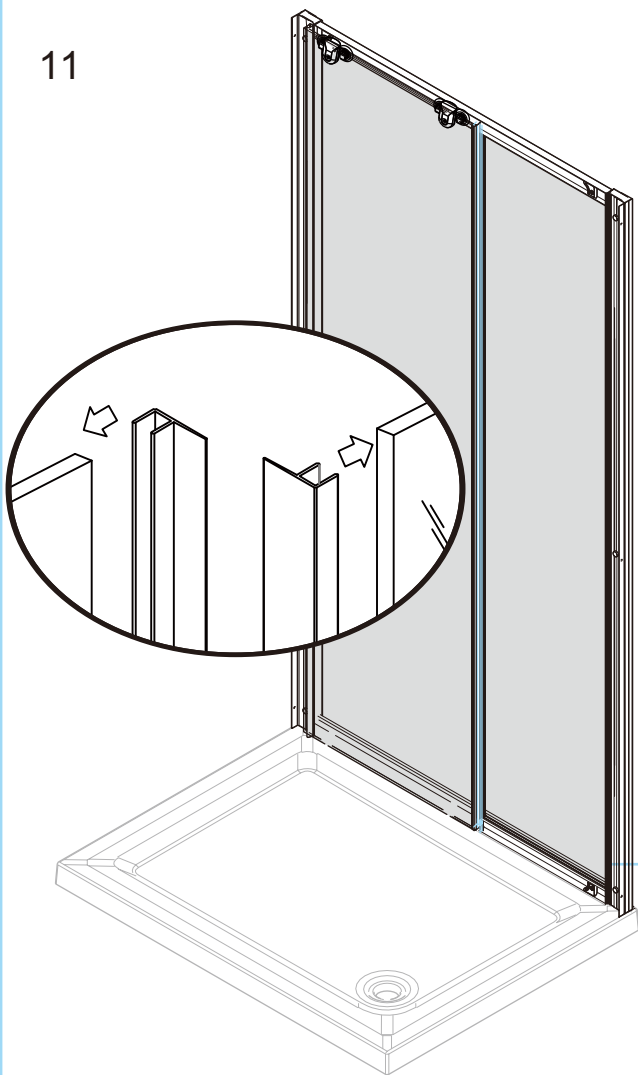
10.1



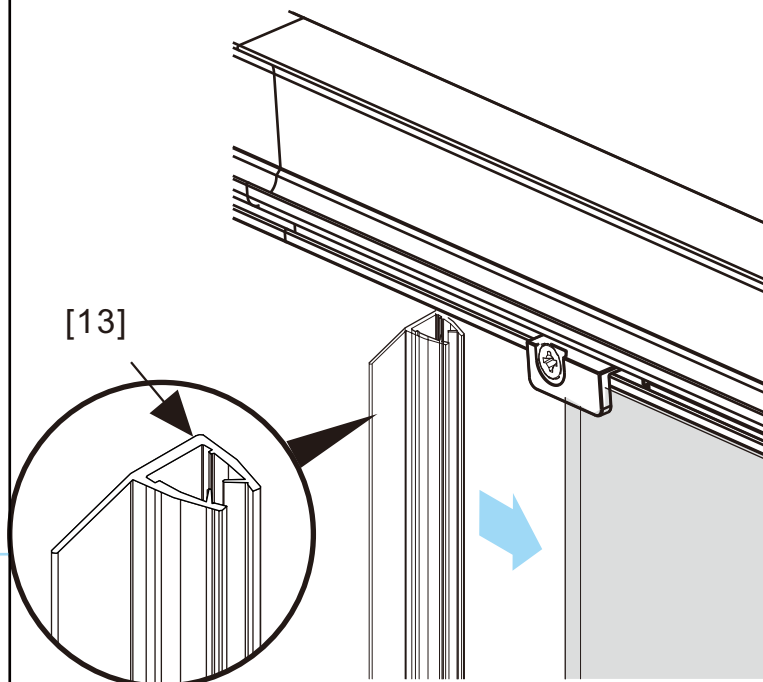
10.2

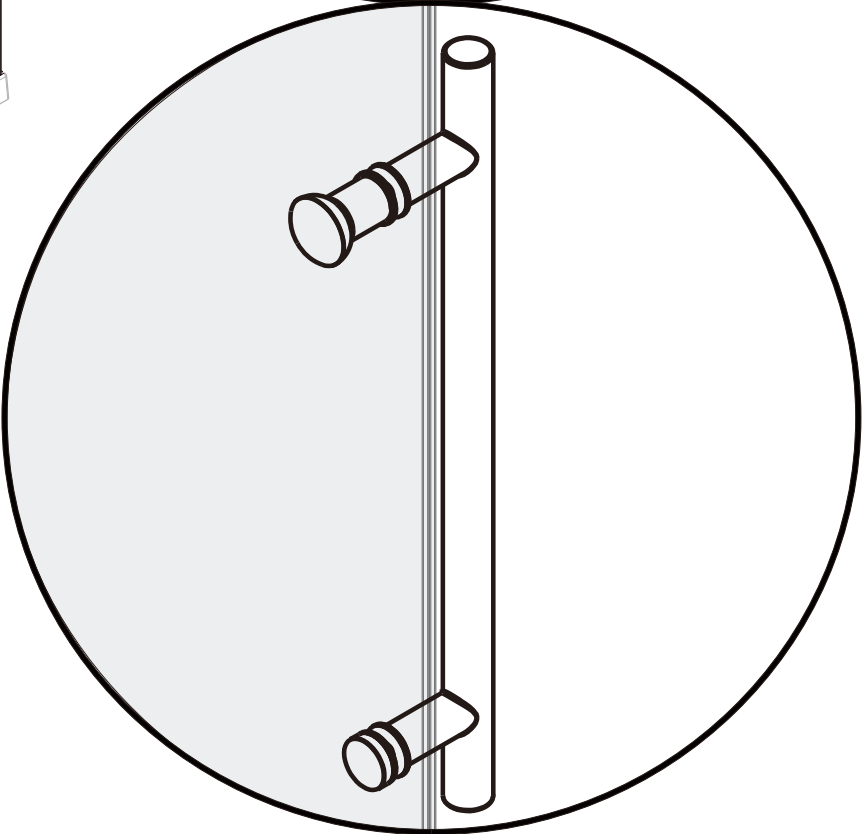
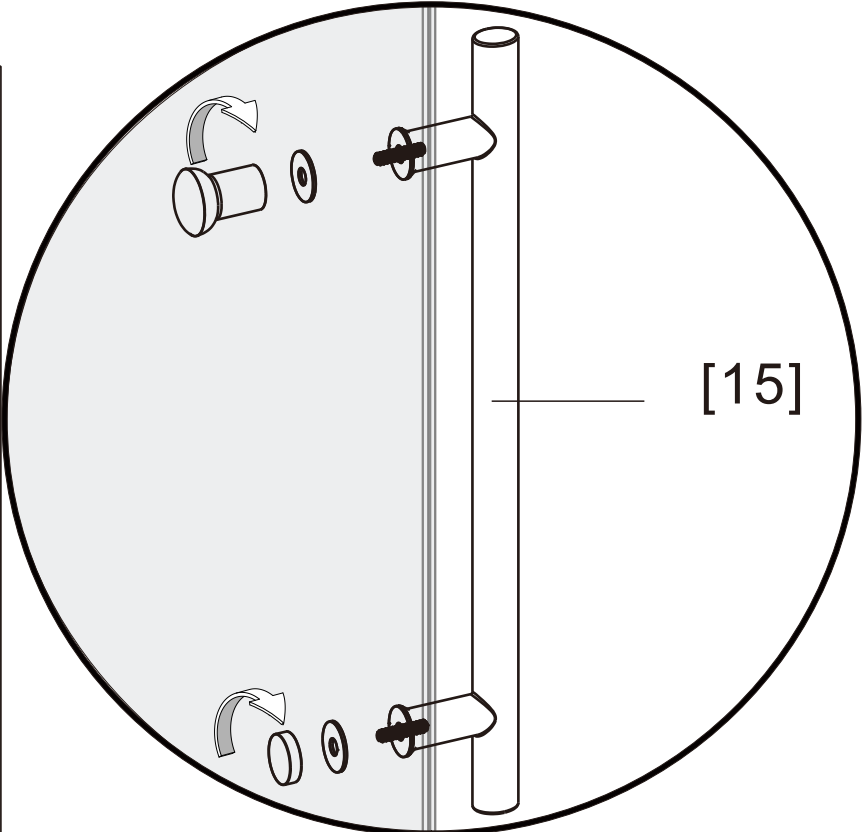
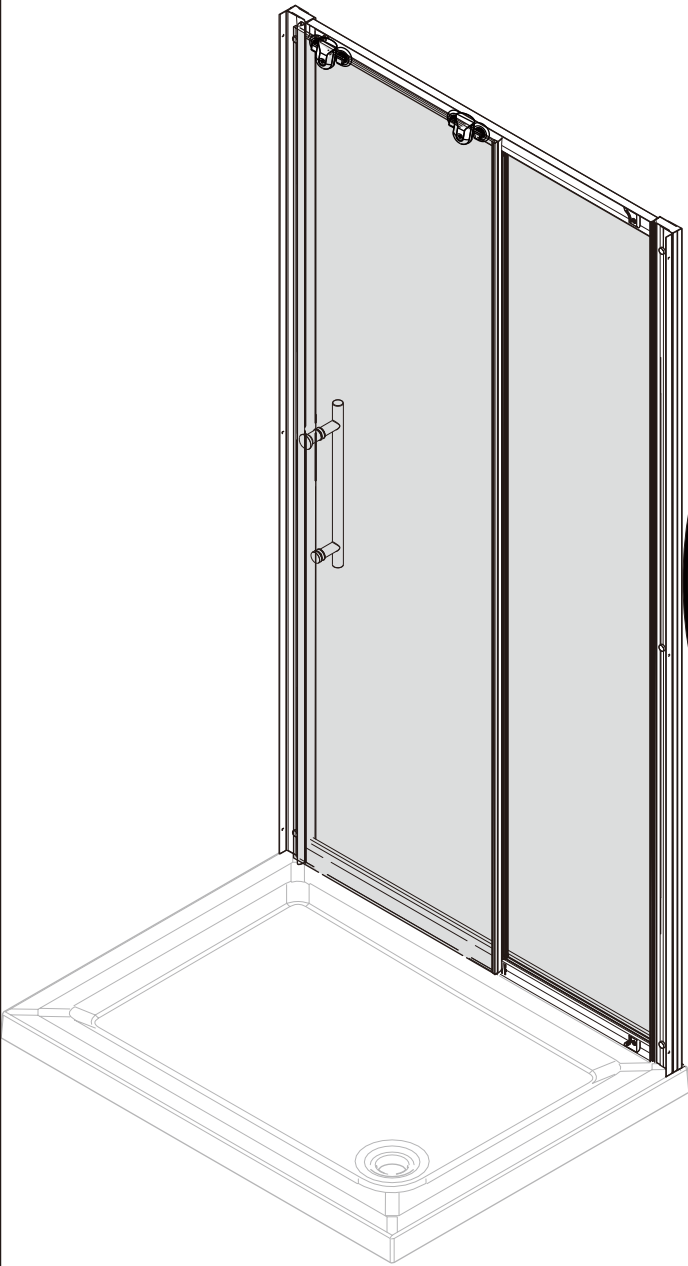


11

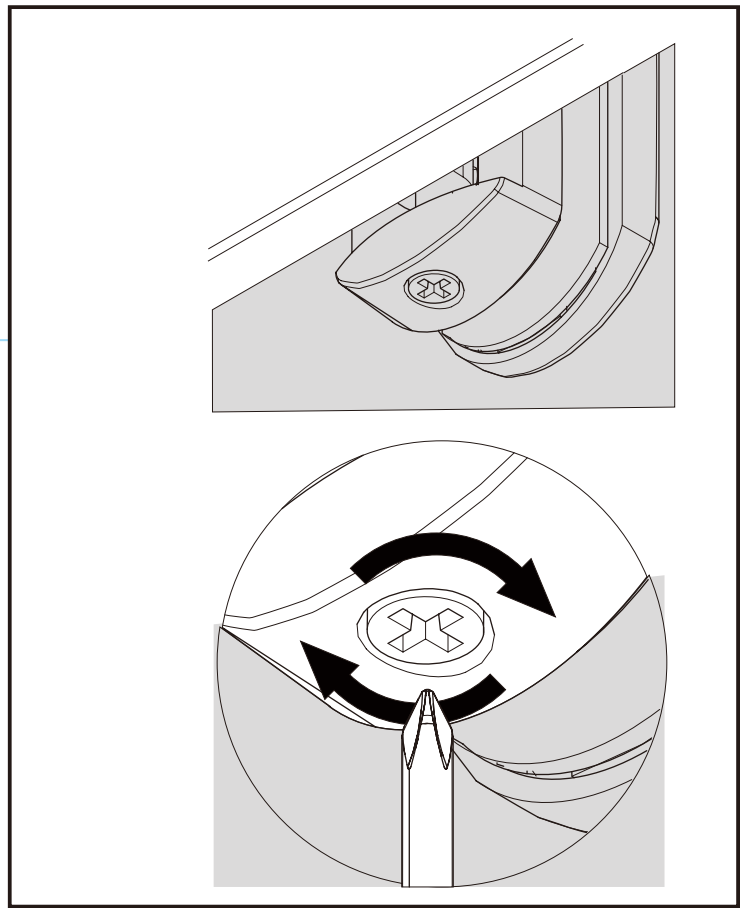
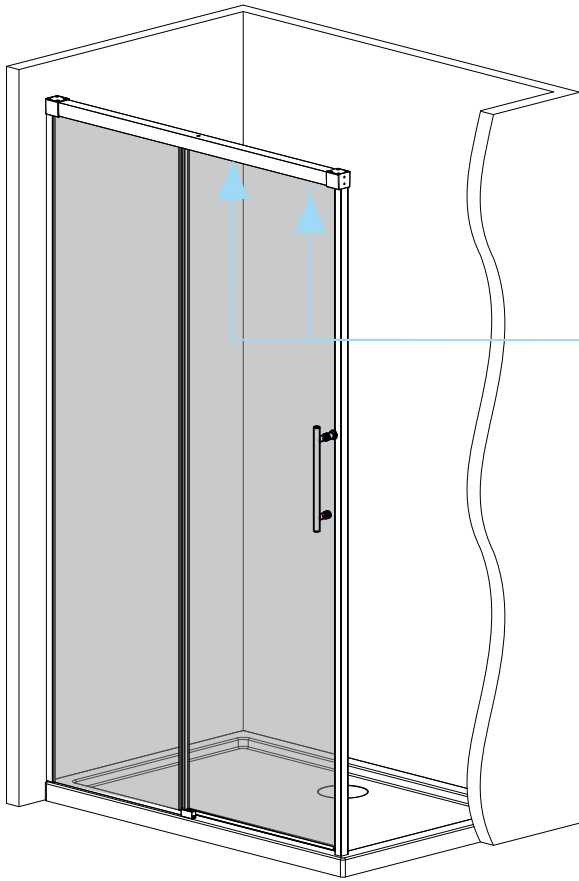


11.1



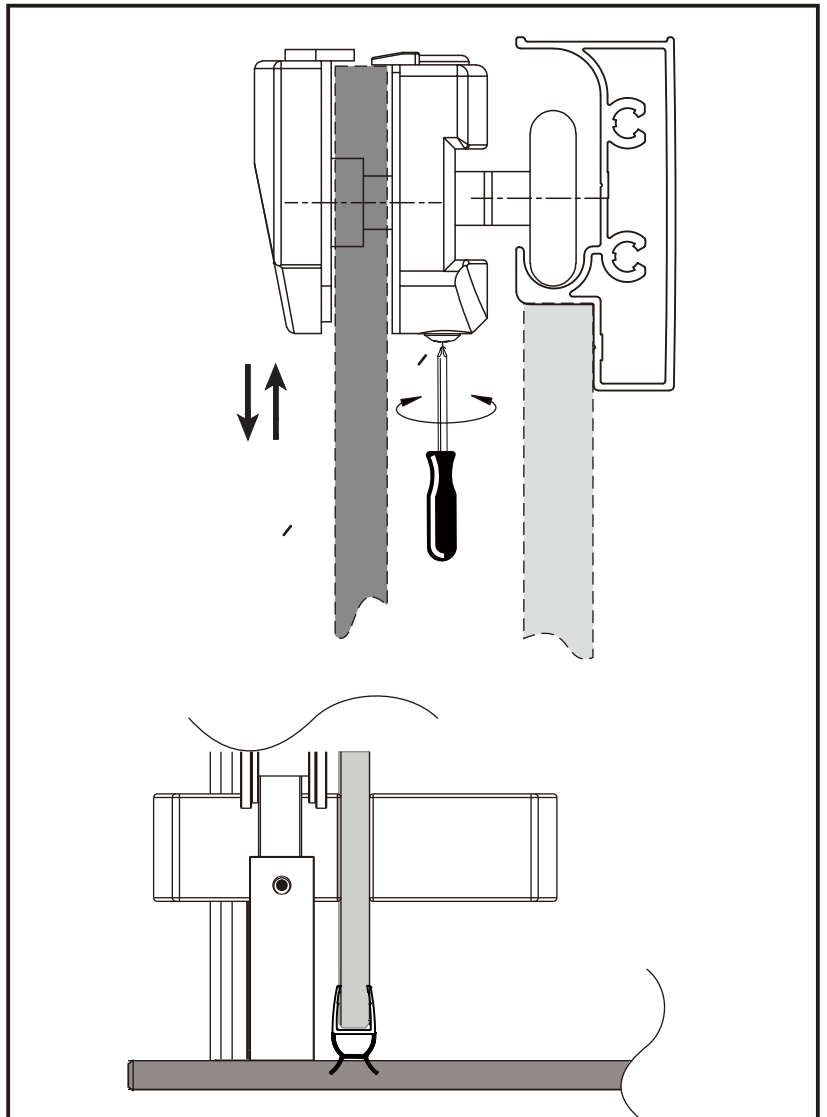
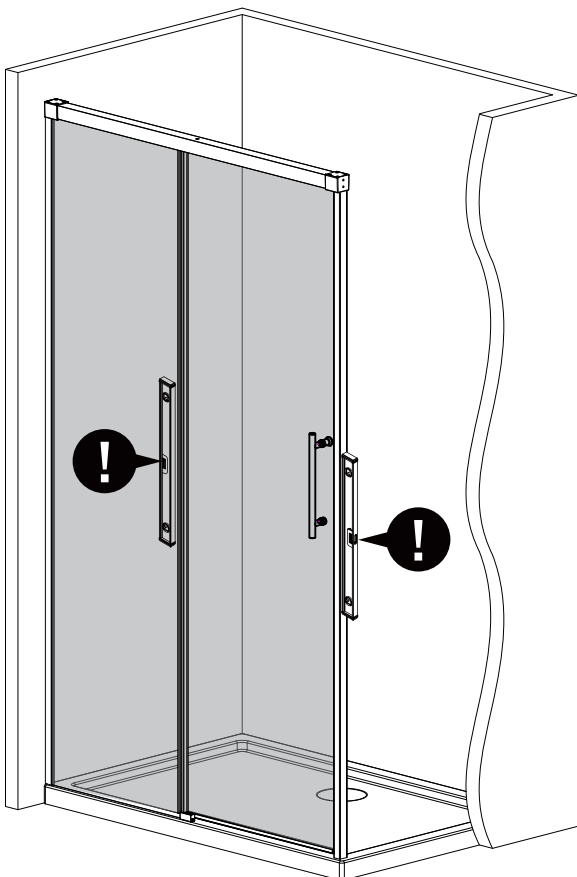


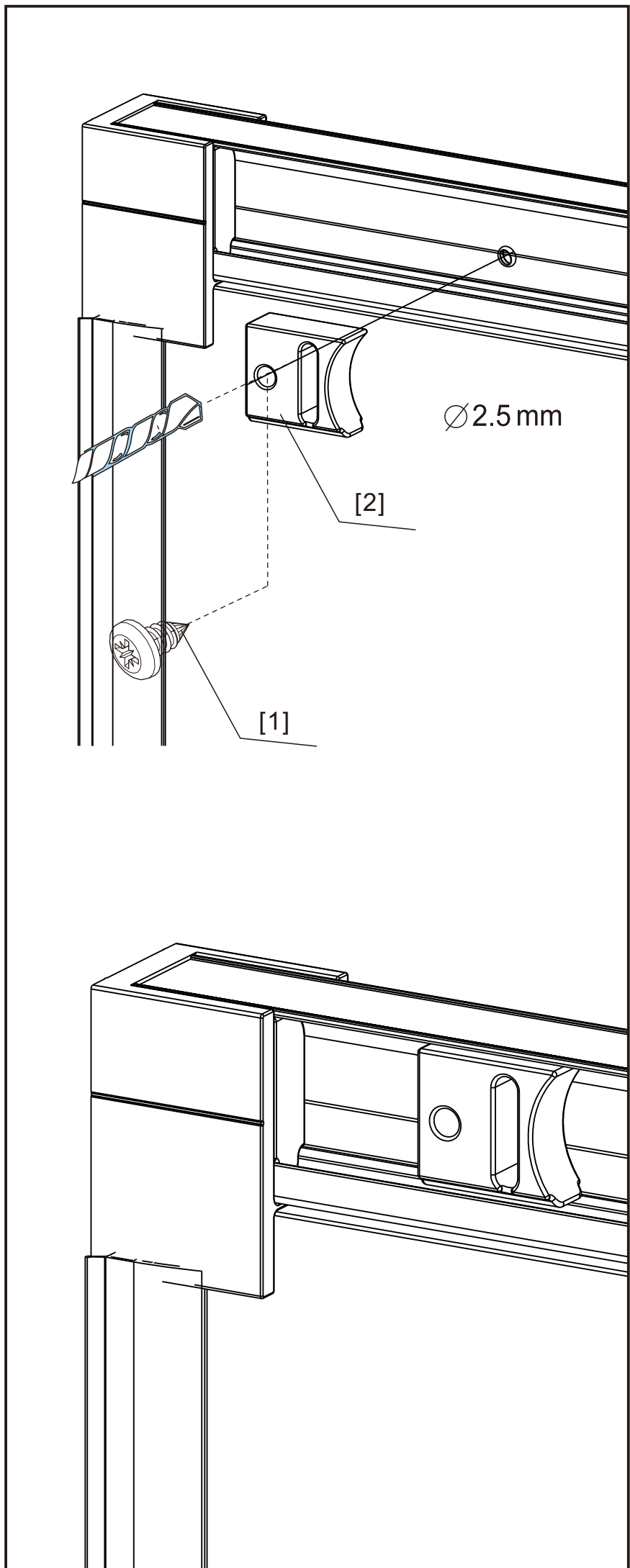
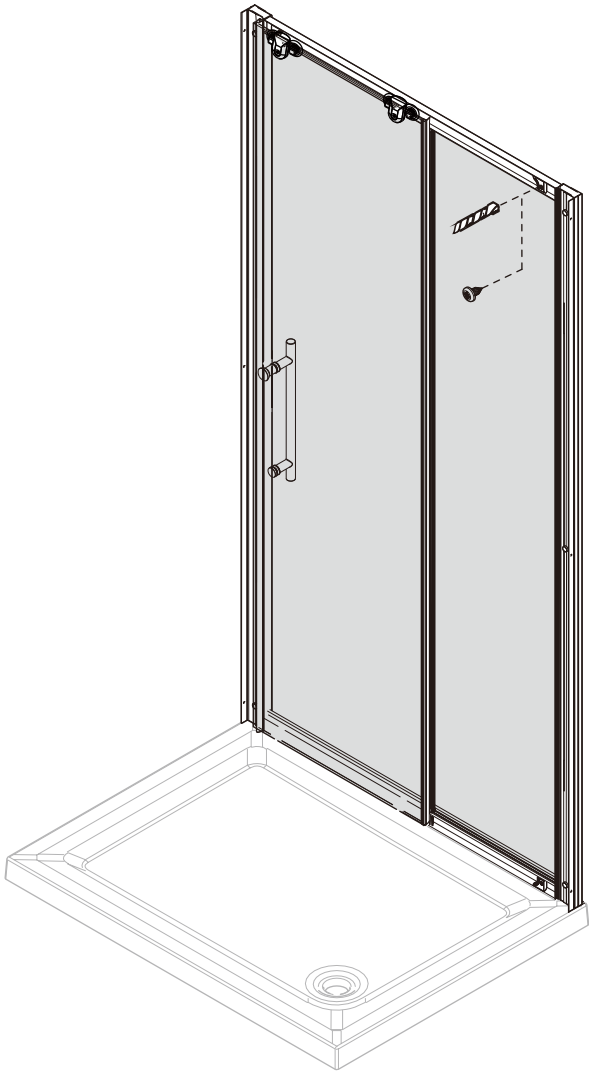
13



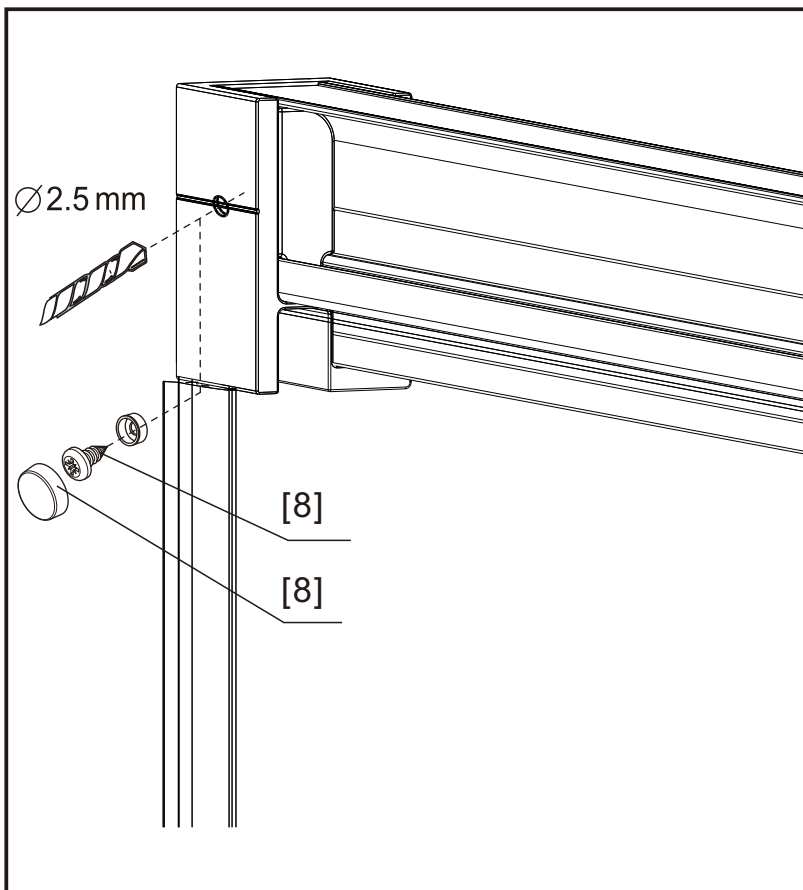
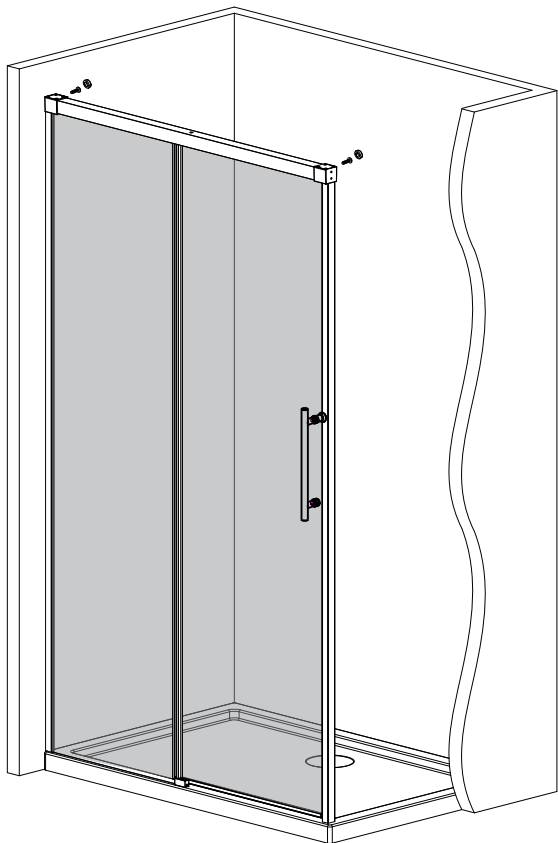
**Please adjust the top roller and down with the screw shown above using a screwdriver.**

14





16



17

24h 

SILIKON 

