

## NOTICE

- \* Please make sure that you have all parts indicated and they are in good condition before you begin assembly of this item. Refer to part list and hardware list below for guidance.
- \* This item should be assembled on a soft surface to prevent scratching the finish during assembly.
- \* Do not fully tighten the bolts until the product is assembled.
- \* This item may require periodic tightening.
- \* If you are having difficulty, our friendly Customer Care team is always here to help. Please email [customersupport@safavieh.com](mailto:customersupport@safavieh.com)

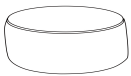





## PREPARATION

- \* Before beginning assembly of product, make sure all parts are present. Compare parts with part contents list and hardware contents list.
- \* If any part is missing or damaged, do not attempt to assemble the product.
- \* Estimated Assembly Time: 10 minutes.
- \* Tools Required for Assembly (included): Allen Key

## CARE AND MAINTENANCE

Leather surfaces on Safavieh Furniture should be dusted regularly with a dry or slightly damp soft cloth. Avoid using saddle soap or other cleaners. Leather desks and tabletops have a lacquer coating, therefore they can be lightly waxed. Suede surfaces should only be cleaned with a dry, stiff brush. Exposure to liquid spills should be avoided since suede cannot be washed or cleaned like leather. 100% Safavieh Bicast Leather.

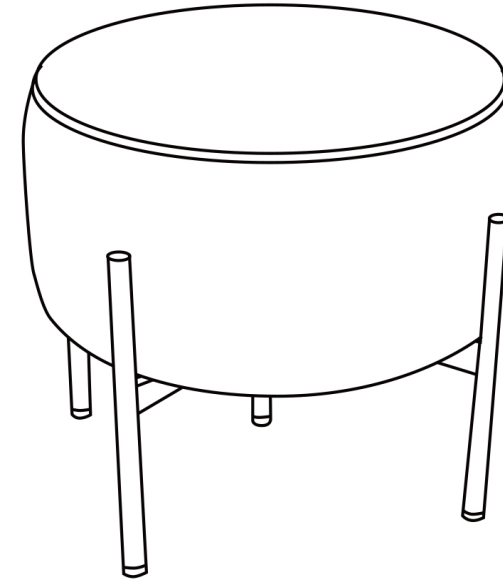
## Part List and Hardware List

PIECE	DESCRIPTION	PICTURE	QUANTITY
A	SEAT		1X
B	LEFT LEG		1X
C	RIGHT LEG		1X
HW 1	HEX BOLT:M6X30MM		1X
HW 2	HEX BOLT:M6X45MM		4X
HW 3	ALLEN KEY		1X

# SAFAVIEH FURNITURE

Model# OTT7507

Product Dimensions:17.3"Wx17.3"Dx16.3"H



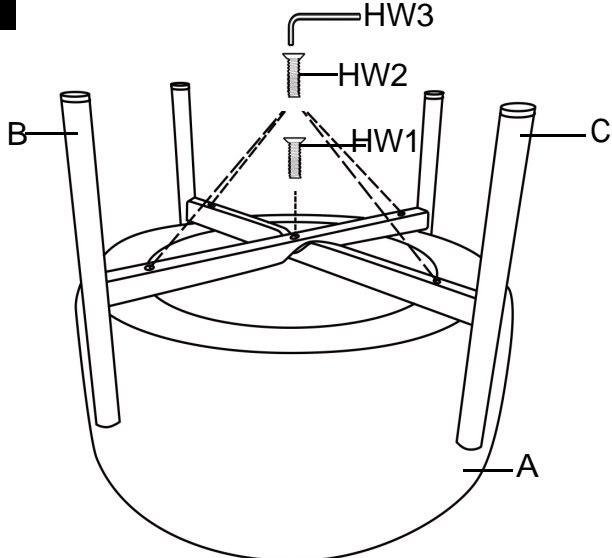
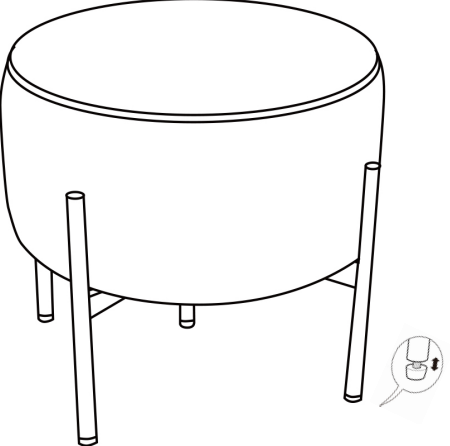
Weight capacity- 275LBS

WARNING: Do not stand on the Chair.

WARNING: Do not over touque bolts.

## PREPARATION

- \* Before beginning assembly of product, make sure all parts are present. Compare parts with part contents list and hardware contents list.
- \* If any part is missing or damaged, do not attempt to assemble the product.
- \* Estimated Assembly Time: 10 minutes.
- \* Tools Required for Assembly (included): Allen Key
- \* If you are having difficulty, our friendly Customer Care team is always here to help. Please email [customersupport@safavieh.com](mailto:customersupport@safavieh.com)

<p><b>1</b></p>  <p>Diagram illustrating Step 1: Attaching the legs to the seat. The seat (A) is shown with two legs (B and C) being attached. Hardware HW1 is used to connect the legs, and HW2 is used to attach the legs to the seat. HW3 is an Allen key used to tighten the hardware.</p>	<p><b>2</b></p>  <p>Diagram illustrating Step 2: Assembly completed. The final assembled stool is shown with four legs and a circular seat.</p>
<p><b>Step 1</b></p> <p>Connect the left leg to the right leg with screw(HW1) using Allen key(HW3). Attach the legs(B&amp;C) with screws(HW2) to the backside of the seat(A).</p>	<p><b>Step 2</b></p> <p>Assembly completed.</p>