



# SharkBite® Hose Bibbs

## DESCRIPTION

SharkBite® hose bibbs are outdoor hose faucets for use in residential or commercial applications.

## FEATURES AND BENEFITS

Instant push-fit connection for increased ease-of use:  
*No soldering, clamps, unions, or glue required.*

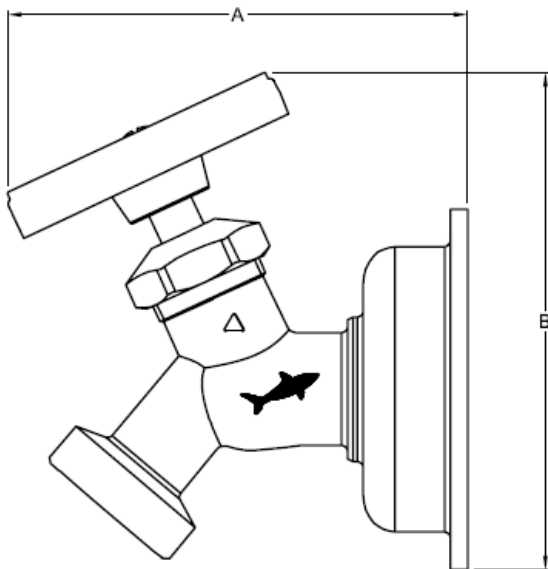
Patent Pending:  
*One piece integrated flange and push-to-connect fitting*

Integral tube liner for PEX installations:  
*Means no loose components and ensures a secure, reliable connection.*



## DIMENSIONAL DATA

45° Multi Turn

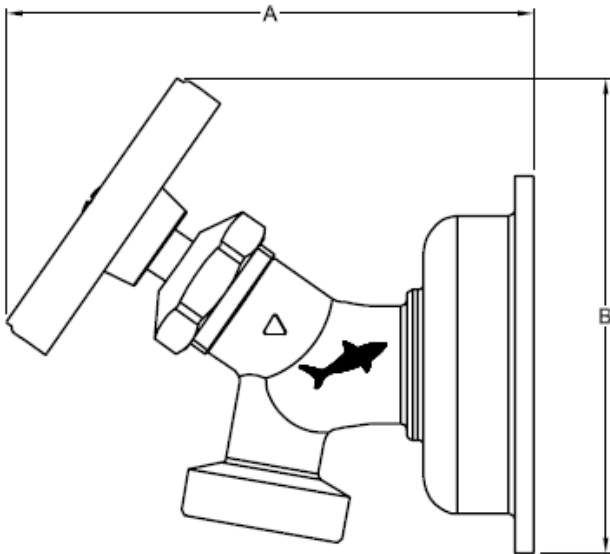


SKU	Description	A	B
24632LF	1/2" X 3/4" MHT - No Kink	3.12	3.45
24633LF	3/4" X 3/4" MHT - No Kink	3.12	3.45



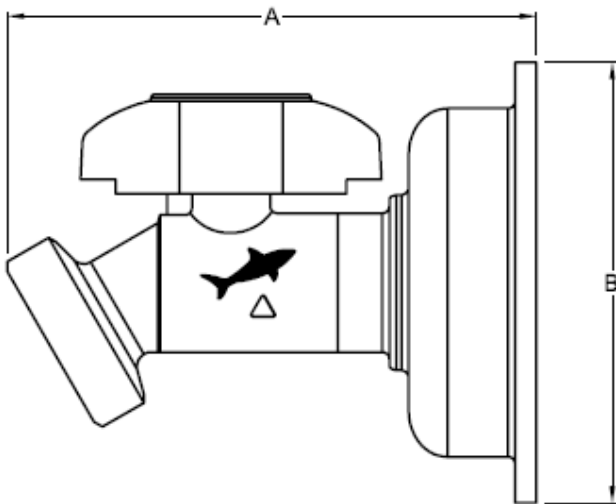
# SharkBite® Hose Bibbs

## 90° Multi Turn



SKU	Description	A	B
24626LF	1/2" X 3/4" MHT	3.45	3.75
24627LF	3/4" X 3/4" MHT	3.45	3.75

## 45° 1/4 Turn

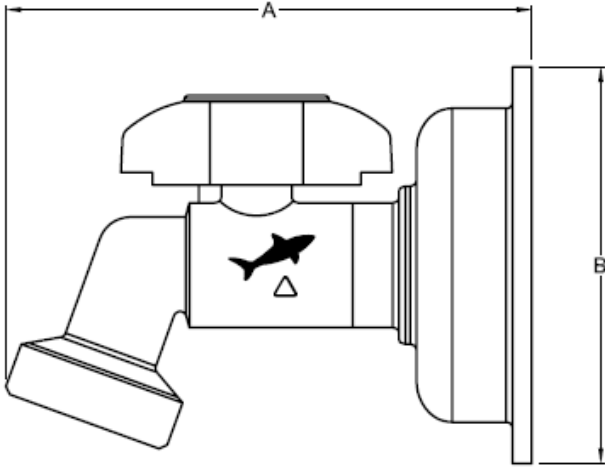


SKU	Description	A	B
24630LF	1/2" X 3/4" MHT - No Kink	3.00	3.45
24631LF	3/4" X 3/4" MHT - No Kink	3.00	3.45



# SharkBite® Hose Bibbs

90° 1/4 Turn

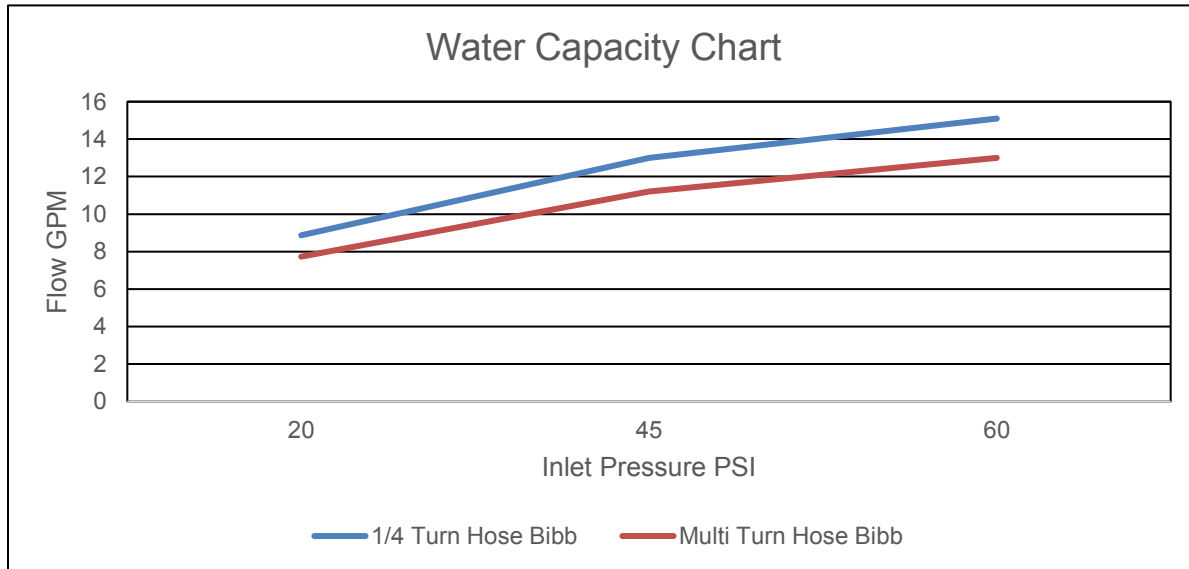


SKU	Description	A	B
24620LF	1/2" X 3/4" MHT	3.00	3.45
24621LF	3/4" X 3/4" MHT	3.00	3.45

## PERFORMANCE DATA

### Pressure and Temperature Performance:

- Max working pressure 200 psi
- Max working temperature 200°F
- Min working temperature 33°F





# SharkBite® Hose Bibbs

**Material:**

- Hose bibbs are approved for potable water and glycol (up to 100% mix)

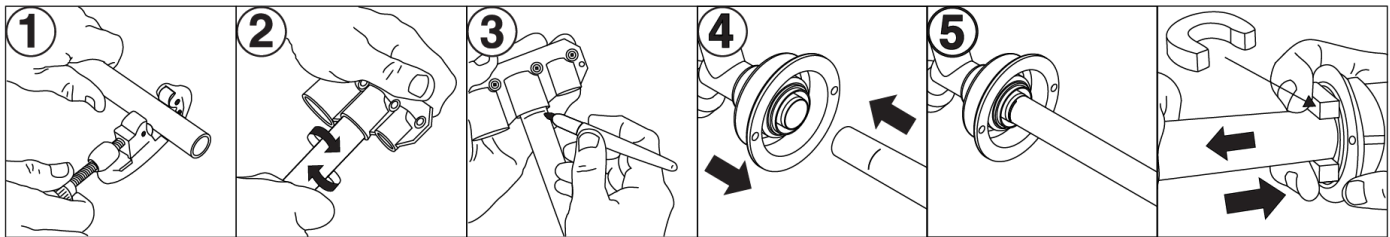
**Valve Material:**

- Body ..... Lead Free DZR Brass
- O-ring ..... EPDM
- Grab Ring ..... Stainless Steel Grade 316
- Tube Support Liner ..... Veradel
- 1/4 Turn Hose Bibb:**
- Ball ..... Chrome Plated DZR Lead Free Brass
- Seat Seal ..... PTFE
- O-Ring ..... EPDM
- Stem ..... DZR Brass
- Multi-Turn:**
- Stem ..... DZR Brass
- Washer ..... EPDM
- Screw ..... Brass

**Compatible pipes:**

- Hose bibbs are approved for use ASTM F876/CSA B137.5 PEX, ASTM B88 Type K, L and M and copper, ASTM D2846/CSA B137.6 CPVC, and ASTM F2769 PE-RT

## TYPICAL INSTALLATION



1 Cut Pipe squarely

2 Deburr and clean pipe

3 Mark pipe to insertion depth

4 Insert pipe into hose bibb to depth mark

5 Feed pipe through the wall and connect to the plumbing system

6 Use disconnect clip to remove

## CERTIFICATIONS

SharkBite hose bibbs are approved for use in all national and local codes in the US and Canada. Certified and listed to the following standards:

- **ASME A112.18.1/CSA B125.1** – Plumbing Supply Fittings
- **ANSI/NSF 61** – Drinking Water System Components – Health Effects
- **ANSI/NSF 372** – Drinking Water Components – Lead Content

## SPECIFICATION

- The tube shall be inserted into the SharkBite® push-to-connect (PTC) fitting in the first stage through a release collar and then through a stainless steel grab ring. The grab ring has teeth that open out and grip onto the tube. At the second stage the tube shall be pushed through an O-ring protector which aligns the tube. A specially formulated EPDM O-ring shall be compressed between the wall of the fitting and the tube before the end of the tube reaches the tube stop. Only when the tube has passed through the O-ring and reached the tube stop shall a secure joint be created. The fitting shall be a SharkBite PTC fitting.

Job Name:	
Job Location:	
Engineer	
Contractor:	
Tag:	

