

### Features

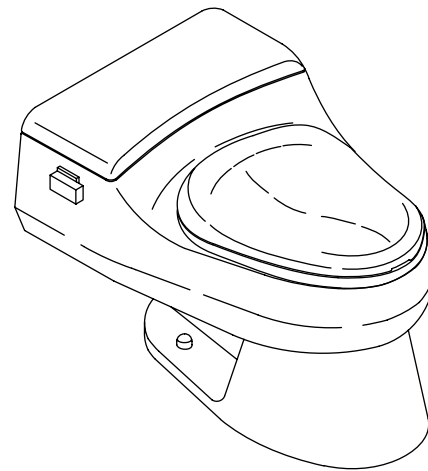
- Vitreous china
- Elongated bowl
- Comfort Height®
- 12" (30.5 cm) rough-in
- One-piece
- Includes seat and cover
- Less supply
- Equipped with Sloan FLUSHMATE® Pressure Vessel
- 1.0 gpf (3.8 lpf)
- 9" (22.9 cm) x 7" (17.8 cm) water area
- 30" (76.2 cm) x 19-1/2" (49.5 cm) x 21-1/2" (54.6 cm)

### COMFORT HEIGHT™ ELONGATED TOILET K-3597 ALSO K-3597-NF

ADA

CSA B651

OBC



### Codes/Standards Applicable

Specified model meets or exceeds the following:

- ADA
- ICC/ANSI A117.1
- CSA B651
- OBC
- ASME A112.19.2/CSA B45.1
- EPA WaterSense®

### Colors/Finishes

- 0: White
- Other: Refer to Price Book for additional colors/finishes

### Accessories

- 0: White
- CP: Polished Chrome
- PB: Vibrant® Polished Brass
- Other: Refer to Price Book for additional colors/finishes

### Specified Model

Model	Description	Colors/Finishes	
K-3597	Elongated bowl toilet	<input type="checkbox"/> 0	<input type="checkbox"/> Other_____
K-3597-NF	Elongated bowl toilet	<input type="checkbox"/> 0	<input type="checkbox"/> Other_____

Recommended Accessories			
K-7637	Angle supply with stop – 3/8" NPT	<input type="checkbox"/> CP	<input type="checkbox"/> PB <input type="checkbox"/> Other_____

### Product Specification

The Comfort Height® one-piece toilet shall be made of vitreous china and 1.0 gpf (3.8 lpf). Toilet shall be 30" (76.2 cm) in length, 19-1/2" (49.5 cm) in width, and 21-1/2" (54.6 cm) in height. Toilet shall have a 9" (22.9 cm) x 7" (17.8 cm) water area, and a 12" (30.5 cm) rough-in. Toilet shall be equipped with Sloan Flushmate® Pressure Vessel. Toilet shall include seat and cover. Toilet shall be less supply. Toilet shall be Kohler Model K-3597-\_\_\_\_\_.

# SAN RAPHAEL™

## Optional Accessories

K-4650 Lustra™ elongated open front toilet seat – for Accessibility compliance

0

Other \_\_\_\_\_

## Technical Information

Fixture*:	
Configuration	one-piece, elongated
Water per flush	1 gal (3.8 L)
Passageway	2-1/8" (5.4 cm)
Water depth from rim	5-7/8" (14.9 cm)
Water area	9" (22.9 cm) x 7" (17.8 cm)
Seat post hole centers	5-1/2" (14 cm)
Minimum static pressure required	35 psi (241 kPa)

Included components:	
Tank cover	1055954
Bolt cap accessory pack	1013092
Toilet seat	74917
Tank accessory pack	84301

## Installation Notes

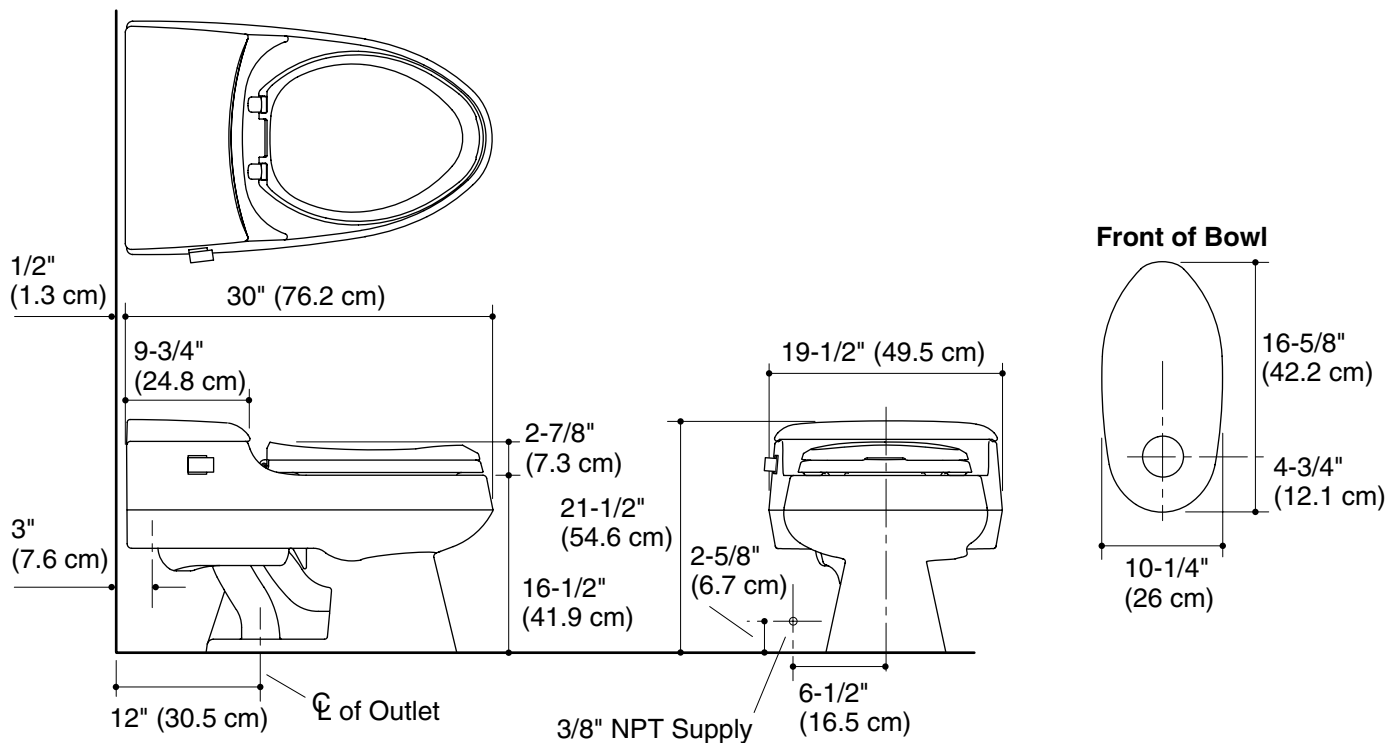
Install this product according to the installation guide.

Will comply with the American Disabilities Act (**ADA**) when installed per the requirements of the Accessibility Guidelines, Section 604 Water Closets, of the Act, which include the installation of an open front seat.

Will comply with **CSA B651** when installed per Clause 4.3.6 of the standard.

Will comply with **OBC** Barrier Free requirements when installed per Clause 3.8.3.8 and 3.8.3.9.

Fixture conforms to ASME Standard A112.19.2/CSA B45.1. All dimensions are nominal.



## Product Diagram

SAN RAPHAEL™ COMFORT HEIGHT™ ELONGATED TOILET

Page 2 of 2  
1086530-4-D

THE BOLD LOOK  
OF **KOHLER**®