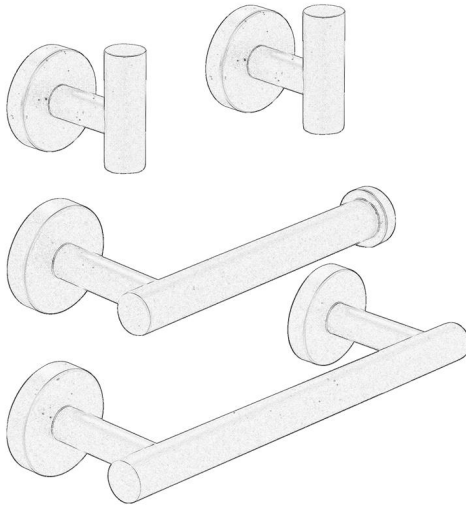


USE AND CARE GUIDE

BATH ACCESSORY KIT



Questions, problems, missing parts?

Before returning to the store,
call BWE Customer Service
8a.m. - 7p.m., EST Monday - Friday,
Phone: (917) 863-7105
Email: sales2@bwefaucet.com

THANK YOU

We appreciate the trust and confidence you have placed in BWE through the purchase of this bathroom accessory kit. We strive to continually create quality products designed to enhance your home. Visit us online to see our full line of products available for your home improvement needs. Thank you for choosing BWE!

Pre-Installation

PLANNING INSTALLATION

Before you begin to install this product, ensure that all parts are present. Compare parts with the package contents list. If any part is missing or damaged, do not attempt to install the product.

If installing into ceramic tile, the plastic white drywall anchor provided cannot be used and a separate purchase of standard solid wall anchors is required.

* Inquire at the retailer where you purchased your accessories for solid wall anchors and screws.

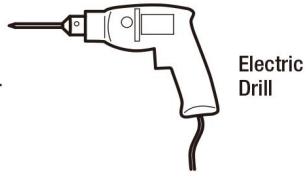
TOOLS REQUIRED



Phillips
Screwdriver



Flathead
screwdriver



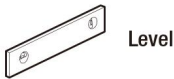
Electric
Drill



Claw
Hammer



Pencil



Level



Template



Masking
Tape

HARDWARE INCLUDED



NOTE: Hardware not shown to actual size.



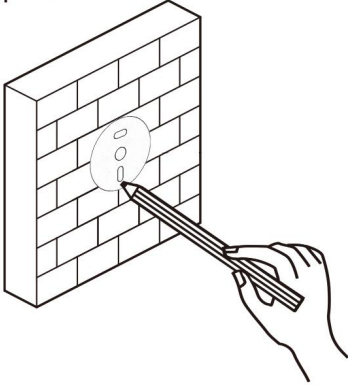
BATH ACCESSORY KIT	
Part	Description
1	Mounting Screw
2	Solid Wall Anchor
3	L-shape hex wrench
4	Set Screw (Preassembled to bathroom accessory)
5	Mounting Bracket

Installation

1 Determining the mounting location

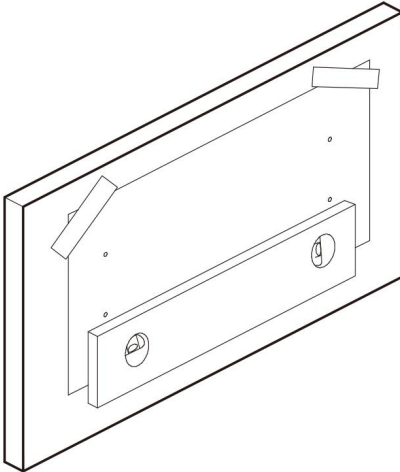
1.1 For towel ring and paper holder

- Determine the location where you wish to install your accessory.
- Place the mounting brackets at the desired location and mark the installation holes using a pencil.



1.2 For towel bar

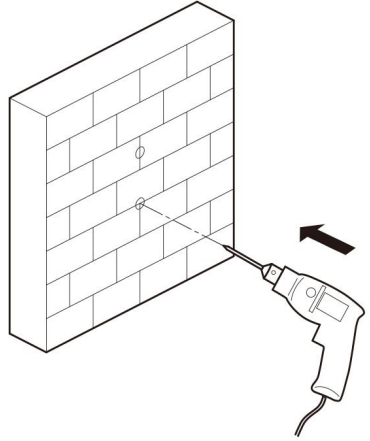
- Tape the template to the wall with masking tape and ensure it is completely level
- Use a level to determine the location where you want to install your accessory.



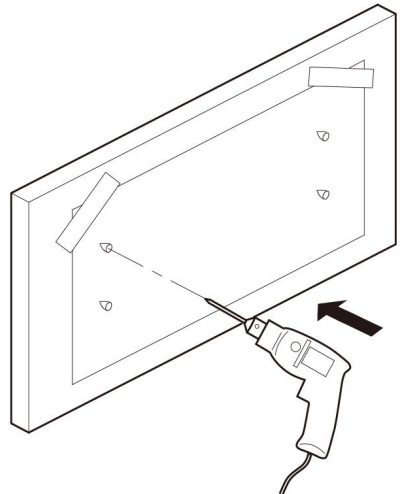
2 Drilling the pilot hole

2.1 For towel ring and paper holder

- Pre-drill a pilot hole with a small drill.



2.2 For towel bar



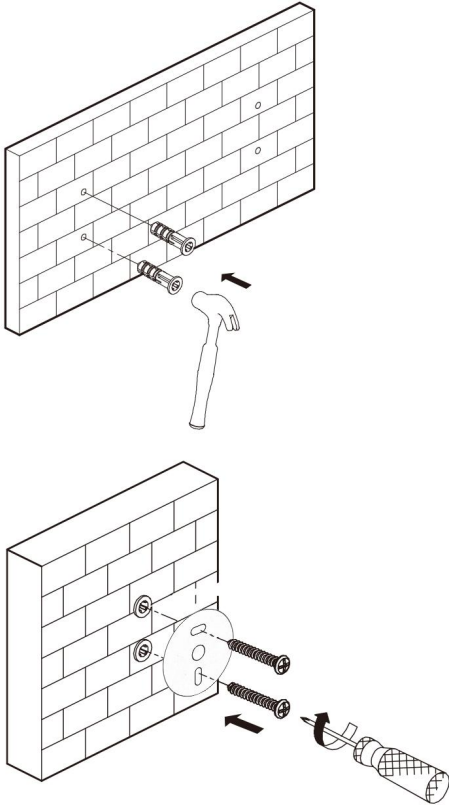
Safety Information

- If installing into ceramic tile, before attempting to drill through ceramic tile, the following must be done:
Using a center punch, very lightly and carefully tap the spot where you wish to drill to break the shiny glass.

Installation (continued)

3 Installing the brackets in ceramic tile

- Drill 1/4 in. based on the pre-drill pilot hole.
- Tap 1/4 in. Solid wall anchors into the wall with a hammer until flush with the wall.
- Align the mounting brackets with installed solid wall anchors and secure with the mounting screws.

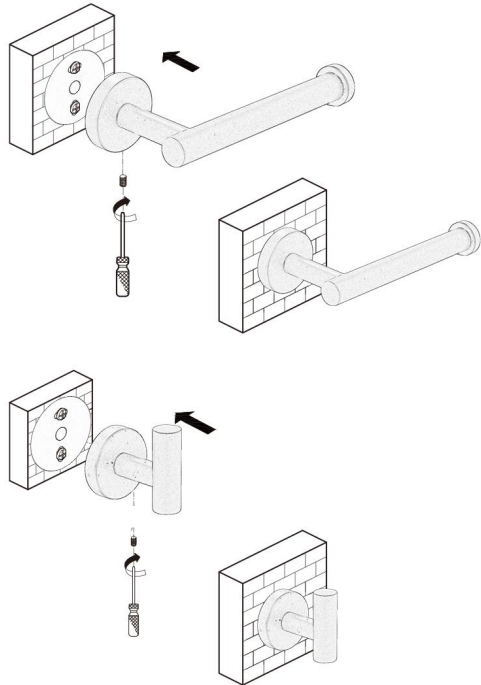


4 Installing the bathroom accessory



NOTE: If you are hanging the towel bar, proceed to Step 5

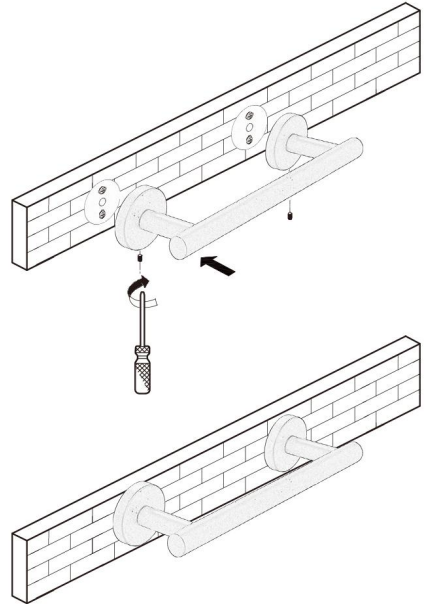
- Position the bathroom accessory over the mounting brackets and attach using the set screw. Tighten securely with the flathead screwdriver.



Installation (continued)

5 Installing the towel bar

- Slide each end of the bar into the two posts.
- Attach the towel bar to the mounting brackets using the set screws. Tighten securely with flathead screwdriver.



Care and Cleaning

These bath accessories are designed for years of trouble-free performance. Keep them looking new by doing the following:

- Clean periodically with a soft cloth.
- Avoid abrasive cleaners, steel wool, and harsh chemicals as these will dull the finish and void your warranty.