

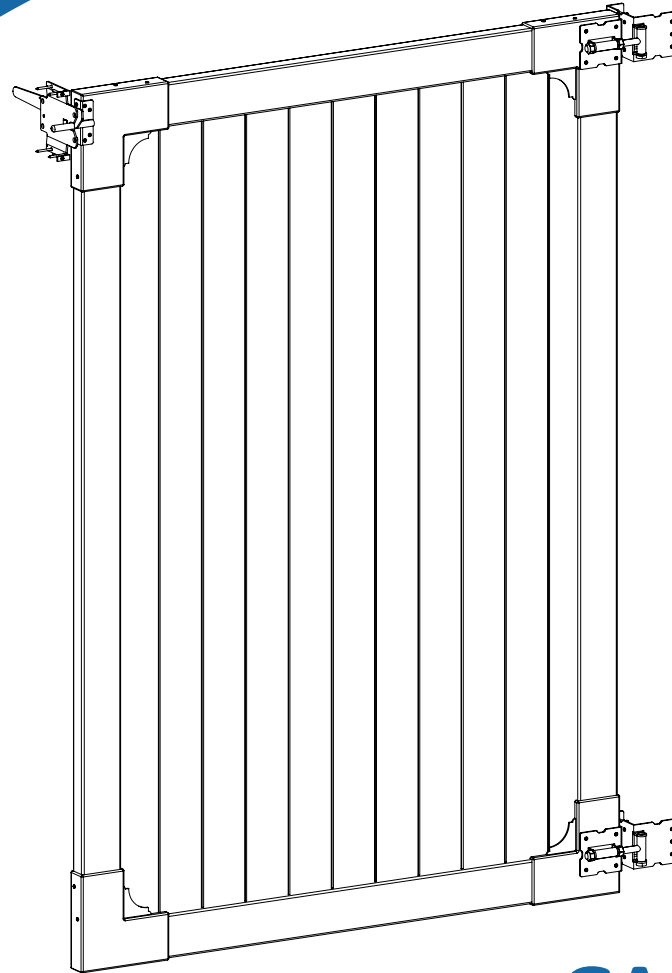


60 MIN

Approximate assembly time



*Want to see a video on how
to assemble this product?
Scan the QR code*



CAMBRIDGE
6 FT VINYL PRIVACY GATE WITH POST AND
NO-DIG STEEL PIPE ANCHOR KIT
(6'H X 4'W)

**ASSEMBLY
INSTRUCTIONS**
BL19111

VER. 030426

GENERAL INFORMATION

MISSING OR DAMAGED PARTS?



▶ **Visit Our Website**
so we can help you right away!
parts.nychbrands.com

* You can also reach us via phone or email.

Hours of Operation - **Weekdays 9am-5pm EST**

To better help you, **please have the following**

- ▶ Your product number (**BL19111**)
- ▶ Your affected part letters
- ▶ Your original product box

NEED ASSEMBLY HELP?

If you are having problems with assembly or installation of this product,
please contact at:

📞 **704-892-5222 / 877-234-6196** ✉ **hmmm@wambamfence.com**

NEED TO RETURN?

If for some reason you need to return this product, please allow us to help resolve your issues first. If you still decide to return the product, **you will need to initiate the return from the company you originally purchased from.**



Note: You only need one **BL19112** post to finish the run!

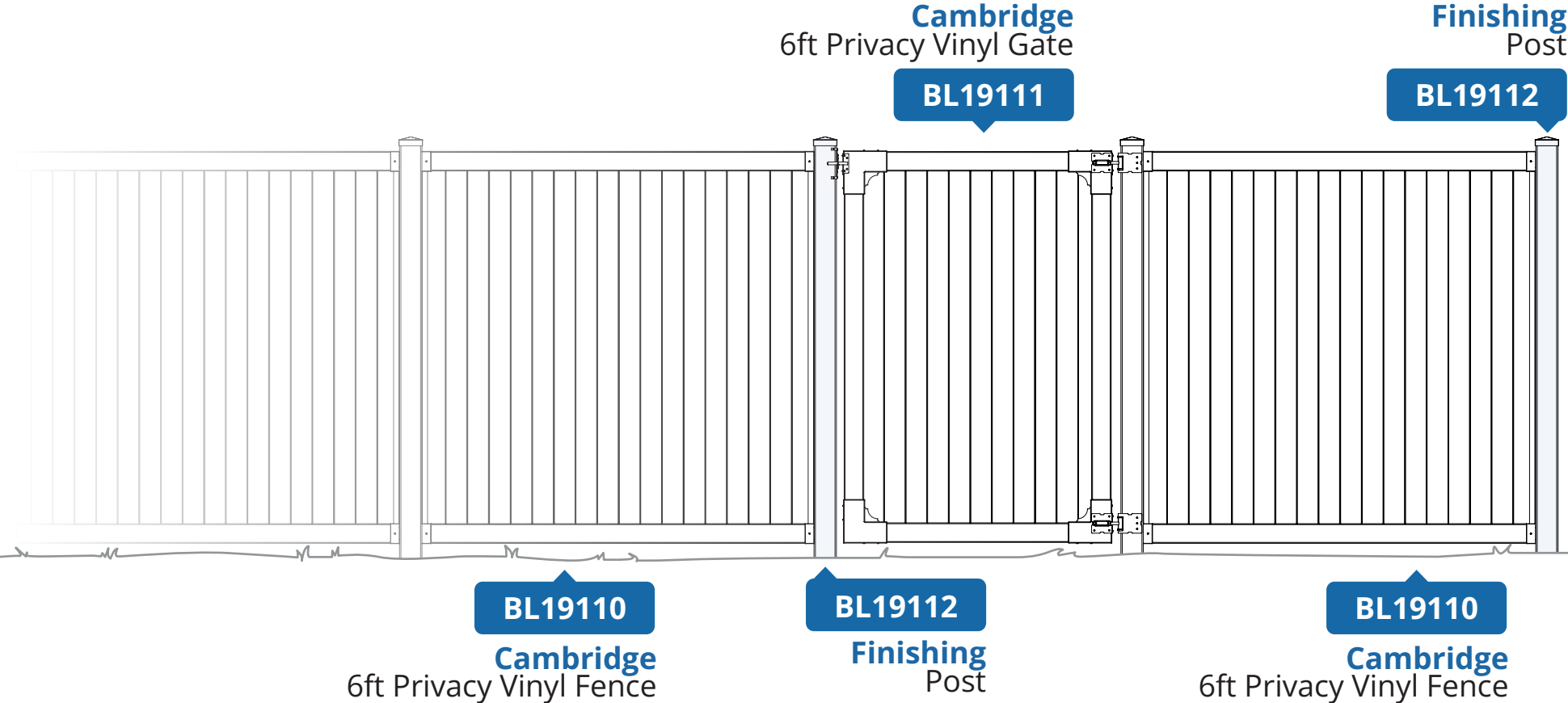
*Unless you are installing a gate (**BL19111**), in which case you will need two finishing posts.*

Did you buy your finishing post?



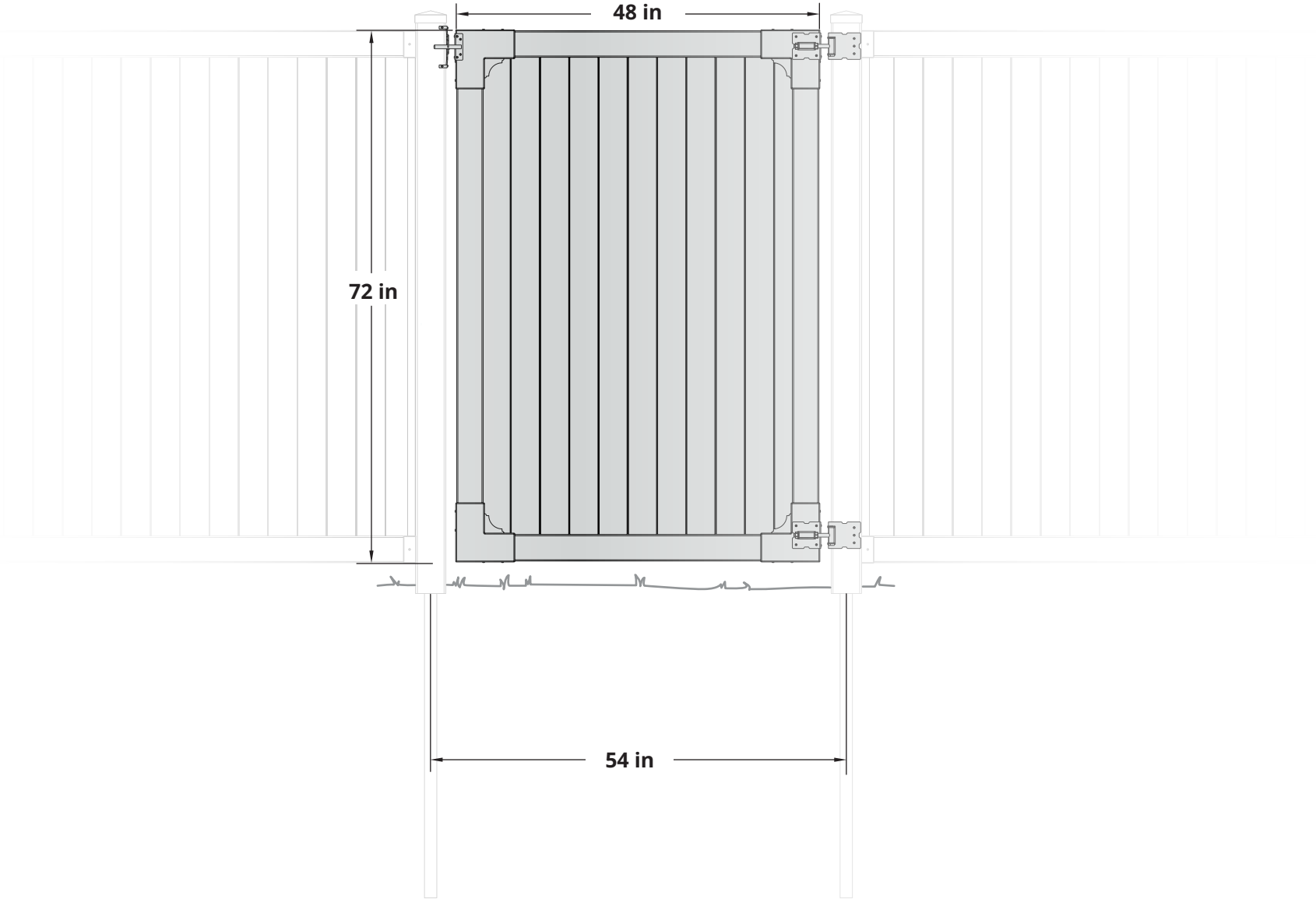
BUYING GUIDE

CAMBRIDGE FENCE, GATE, AND FINISHING POSTS

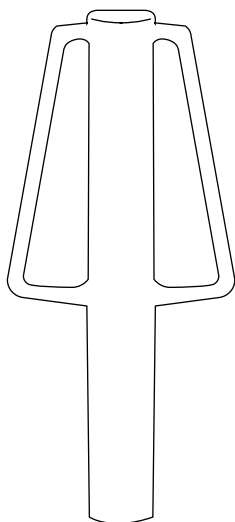


CAMBRIDGE GATE

DETAILED DIMENSIONS AND SPECIFICATIONS



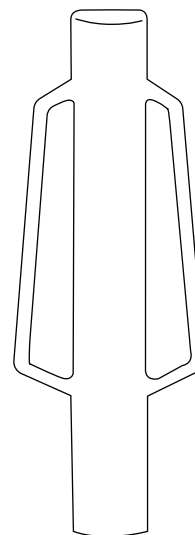
TOOLS NEEDED



Good

Small Post Pounder (12-18 lbs)

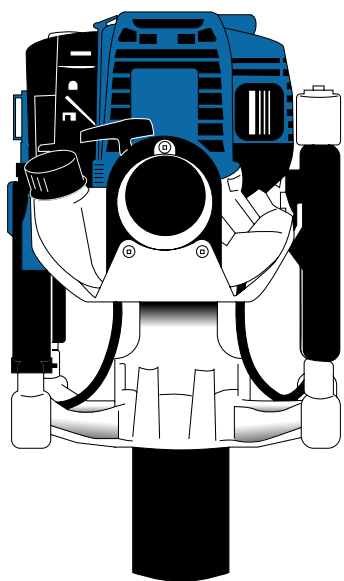
- Best for small projects. These can be purchased online from Amazon, Home Depot, or Lowes



Better

Large Post Pounder (20+ lbs)

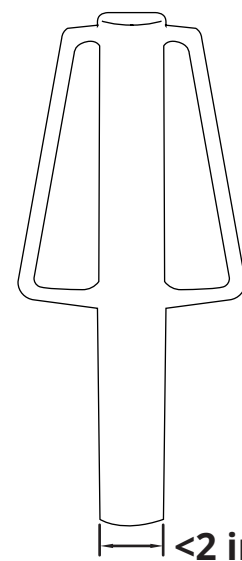
- Best for medium sized projects, and may require two people for smoothest operation. These can be purchased online from Amazon, HomeDepot, Lowes, the WamBam website.



Best

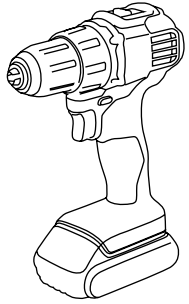
Gas Powered Post Pounder

- Best for large projects as this option requires the least physical labor. Visit our website for rental information. Any comparable gas powered pounder will work as well.



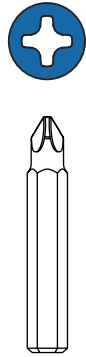
Note: Ensure whichever post pounder you choose has a barrel 2" or greater in diameter.

TOOLS NEEDED

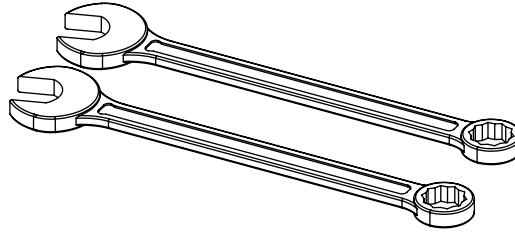


Drill

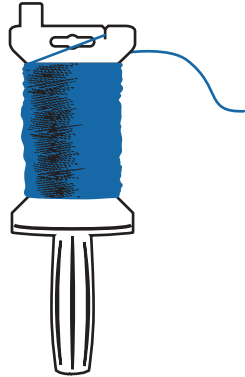
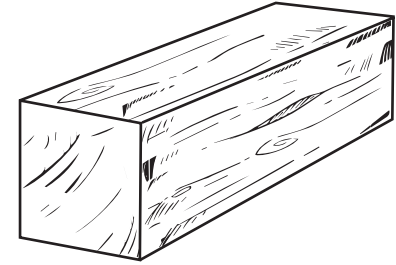
Minimum
2 in Drill Bit



Wrenches



Wooden Blocks
(Optional)

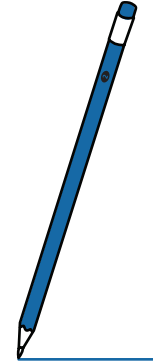


Stringline Reel

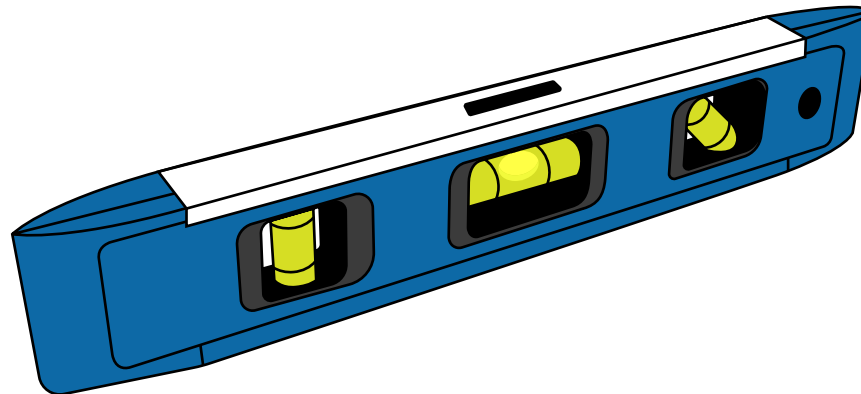
Stakes
(for stringline)



Pencil

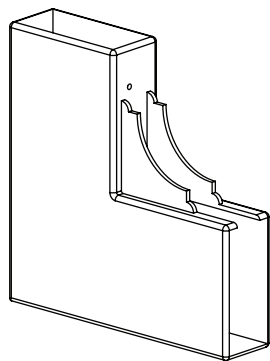


1 ft Level



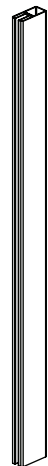
INCLUDED MATERIALS

A



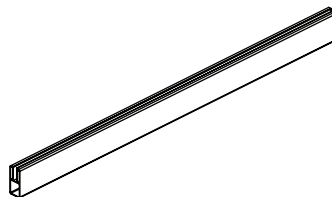
Gate Bracket (4)

B



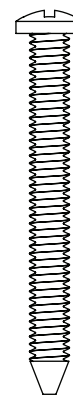
Vertical Stiles (2)
1½" x 3½" x 70"

C



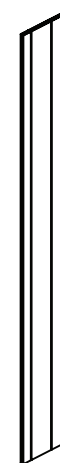
Rail (2)
1½" x 3½" x 40¾"

D



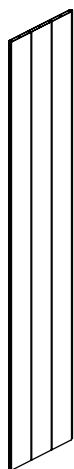
**1¼" White Self-Drilling
Stainless Steel Screw (20)**

E



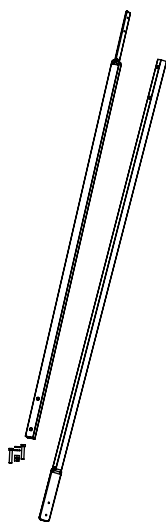
Trimmed Board (1)
½" x 12" x 66¾"

F



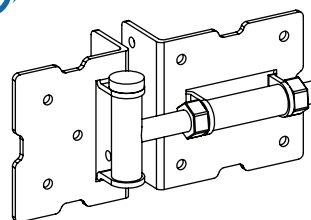
Board (3)
½" x 12" x 66¾"

G



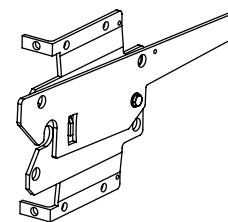
**Gate Brace w/
Fasteners (1)**

H



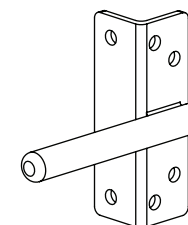
Hinge with Fasteners (2)
with 1¼" Black Stainless
Steel Screws (30)

J



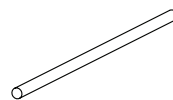
Latch Catch (1)
with 1¼" Black Stainless
Steel Screws (6)

K



Latch Finger (1)
with 1¼" Black Stainless
Steel Screws (6)

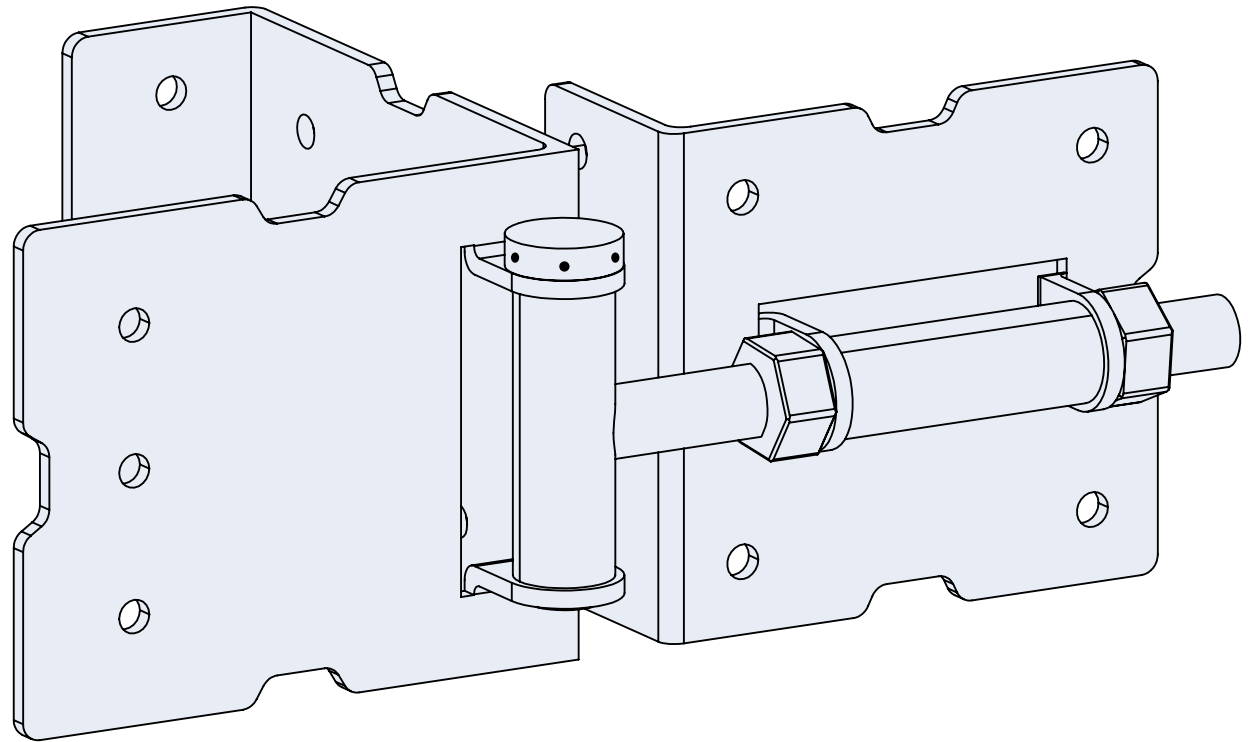
I



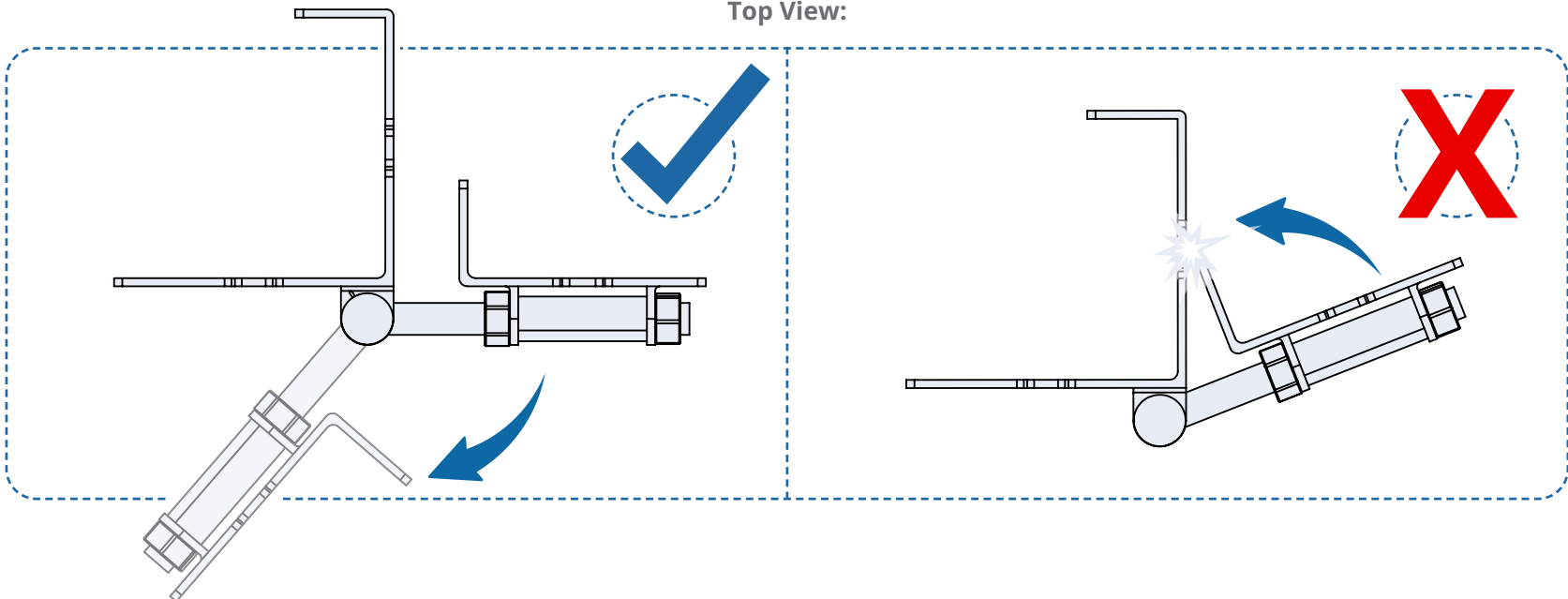
4" Tension Pin (2)



Note: Hinges only open one direction. Take note of which direction you'd like your gate to open before mounting your hinges to your gate.



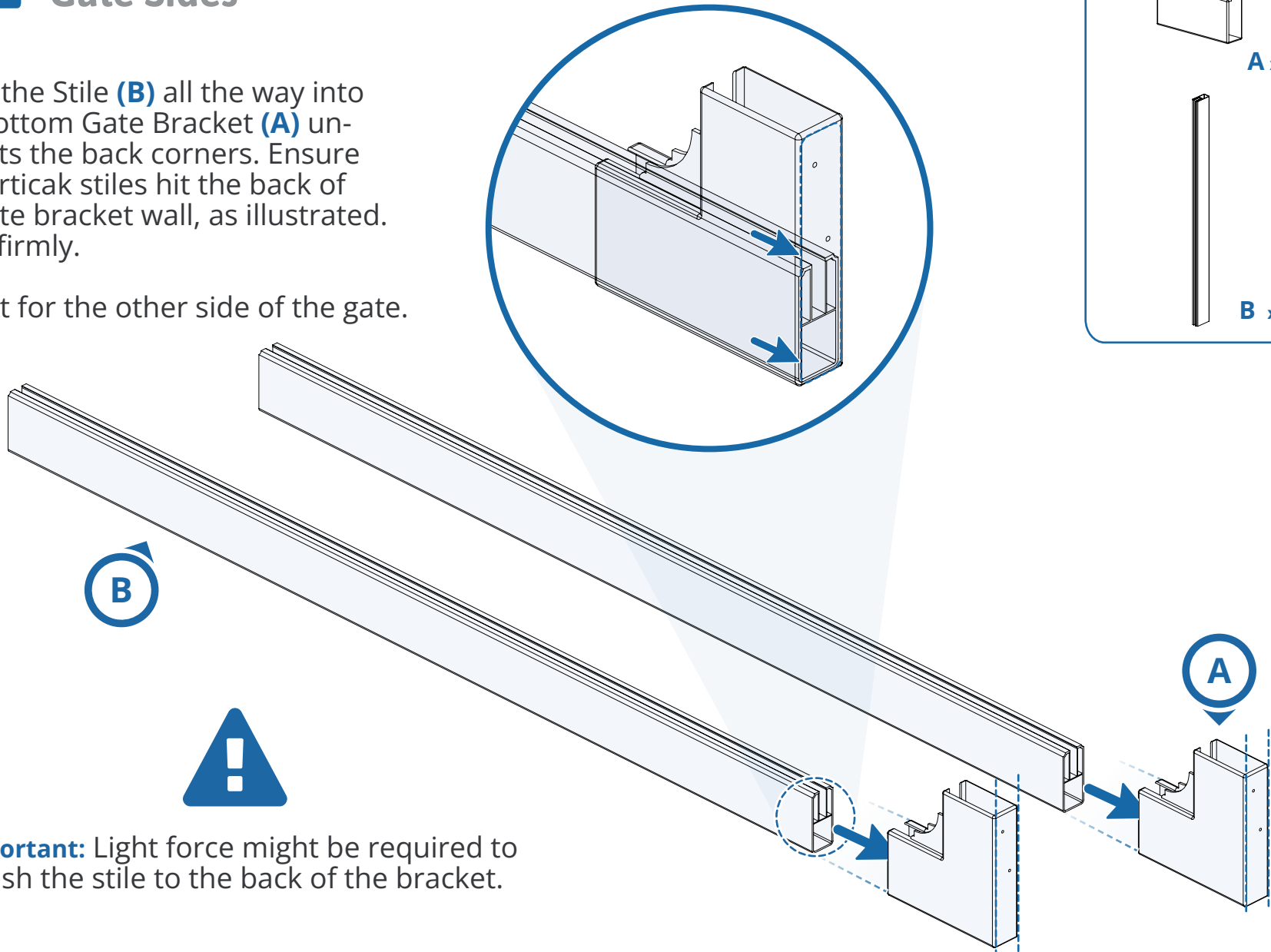
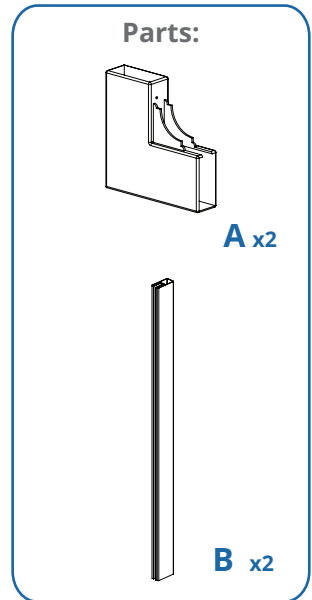
Top View:



STEP 01 Assemble Gate Sides

Insert the Stile (B) all the way into one bottom Gate Bracket (A) until it hits the back corners. Ensure the vertical stiles hit the back of the gate bracket wall, as illustrated. Press firmly.

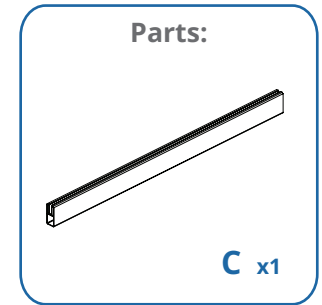
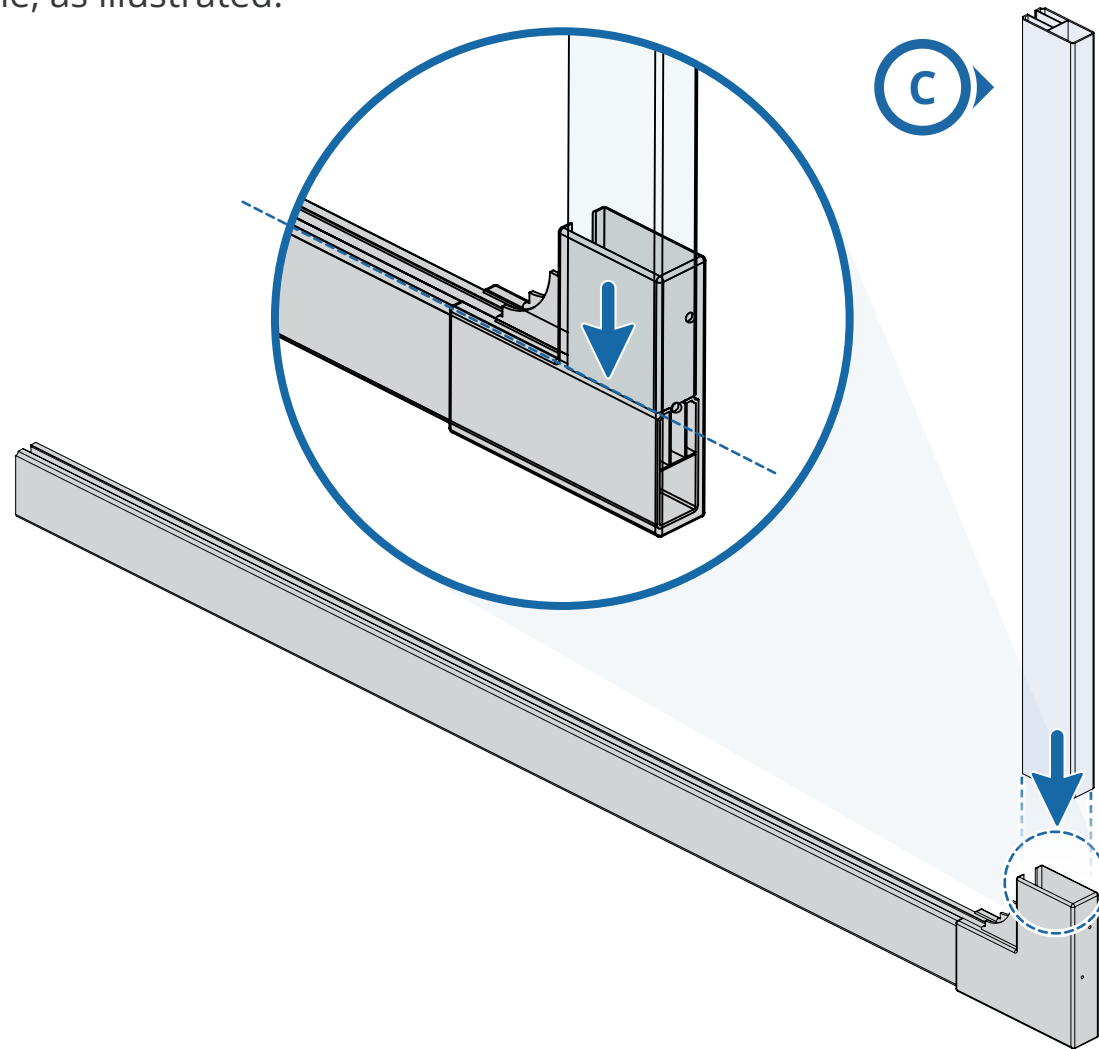
Repeat for the other side of the gate.



Important: Light force might be required to push the stile to the back of the bracket.

STEP
02 Rail
Assembly

Insert the Rail (**C**) all the way into one bottom Gate Bracket (**A**) until it hits the vertical stile, as illustrated.

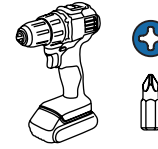


STEP
03 Frame
Assembly

Insert your opposing side and fasten using (8) 1¼" White Self-Drilling Stainless Steel Screws (D) in both brackets.

Apply pressure to make sure your rails and stiles are in place.

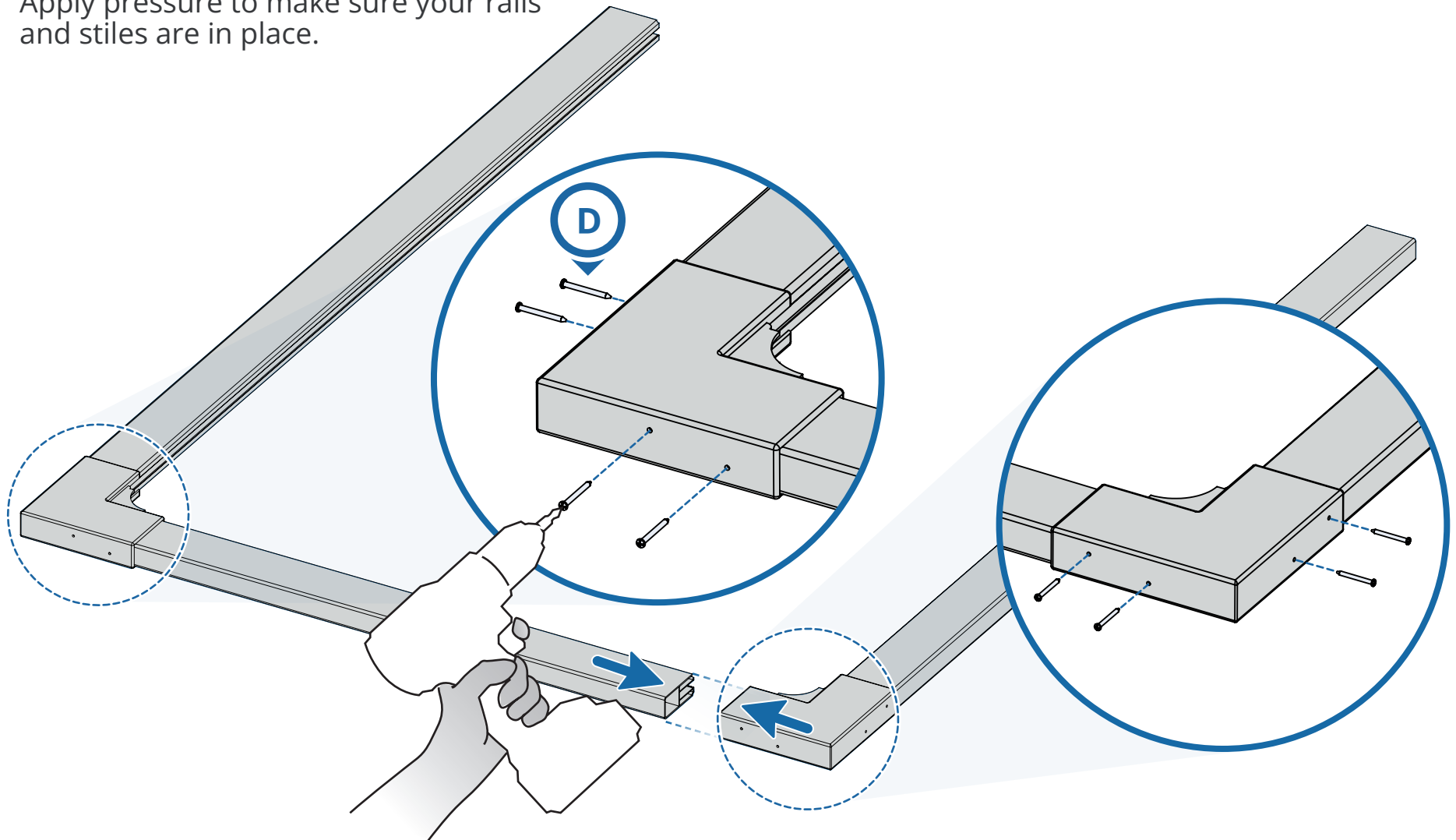
Tools Required



Parts:

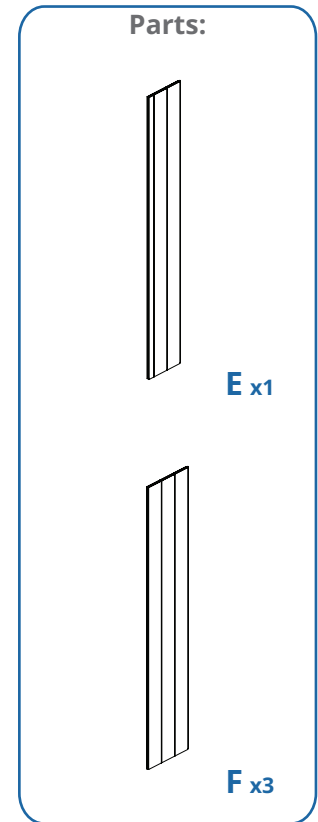
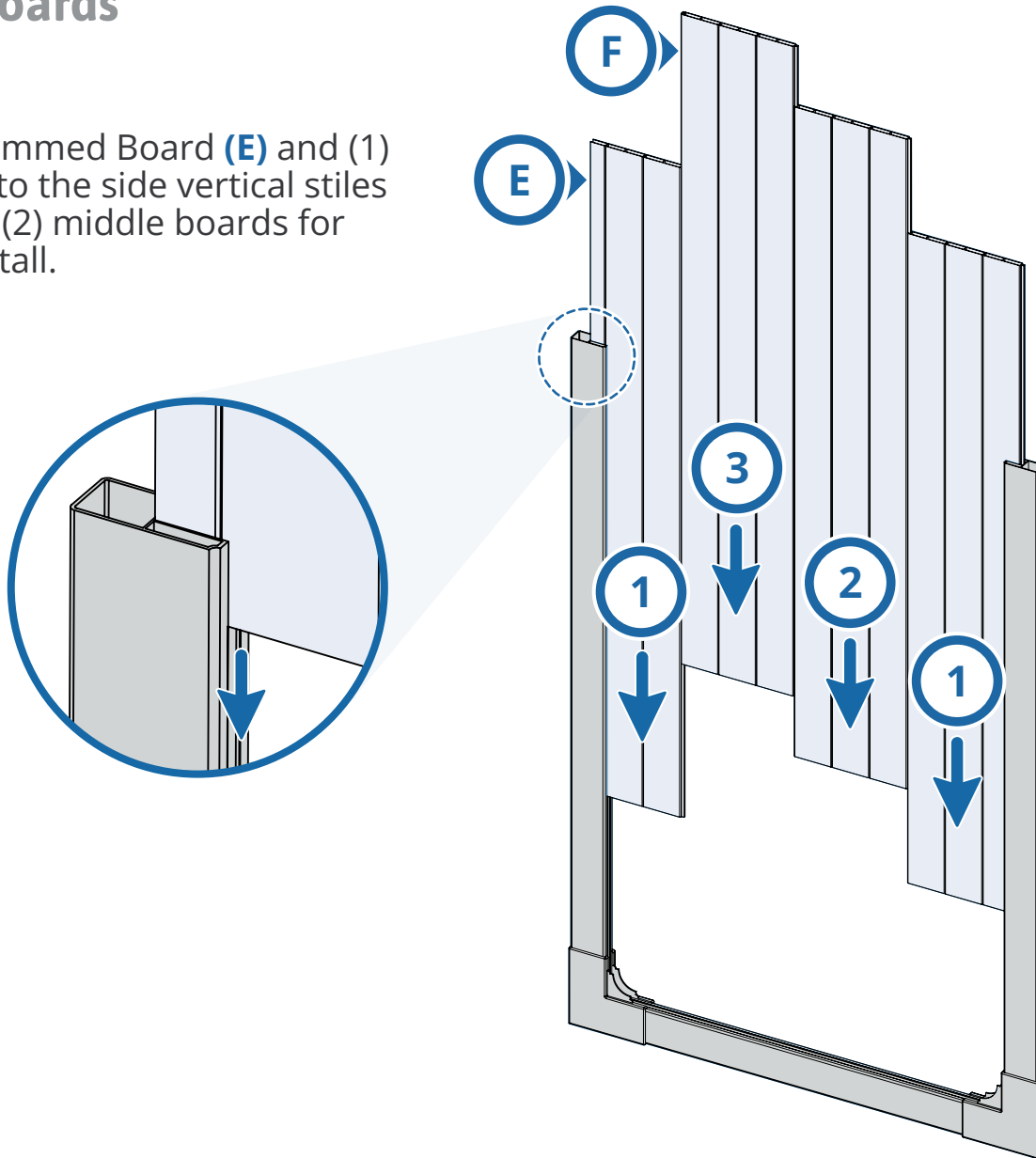


D x8



STEP 04 Inserting Boards

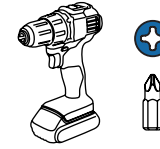
Insert (1) Trimmed Board (E) and (1) Board (F) into the side vertical stiles followed by (2) middle boards for simplest install.



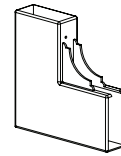
Note: Insert boards fully into the bottom rail.

STEP
05 Assemble
Top Rail

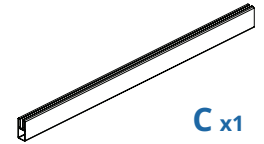
Tools Required



Parts:

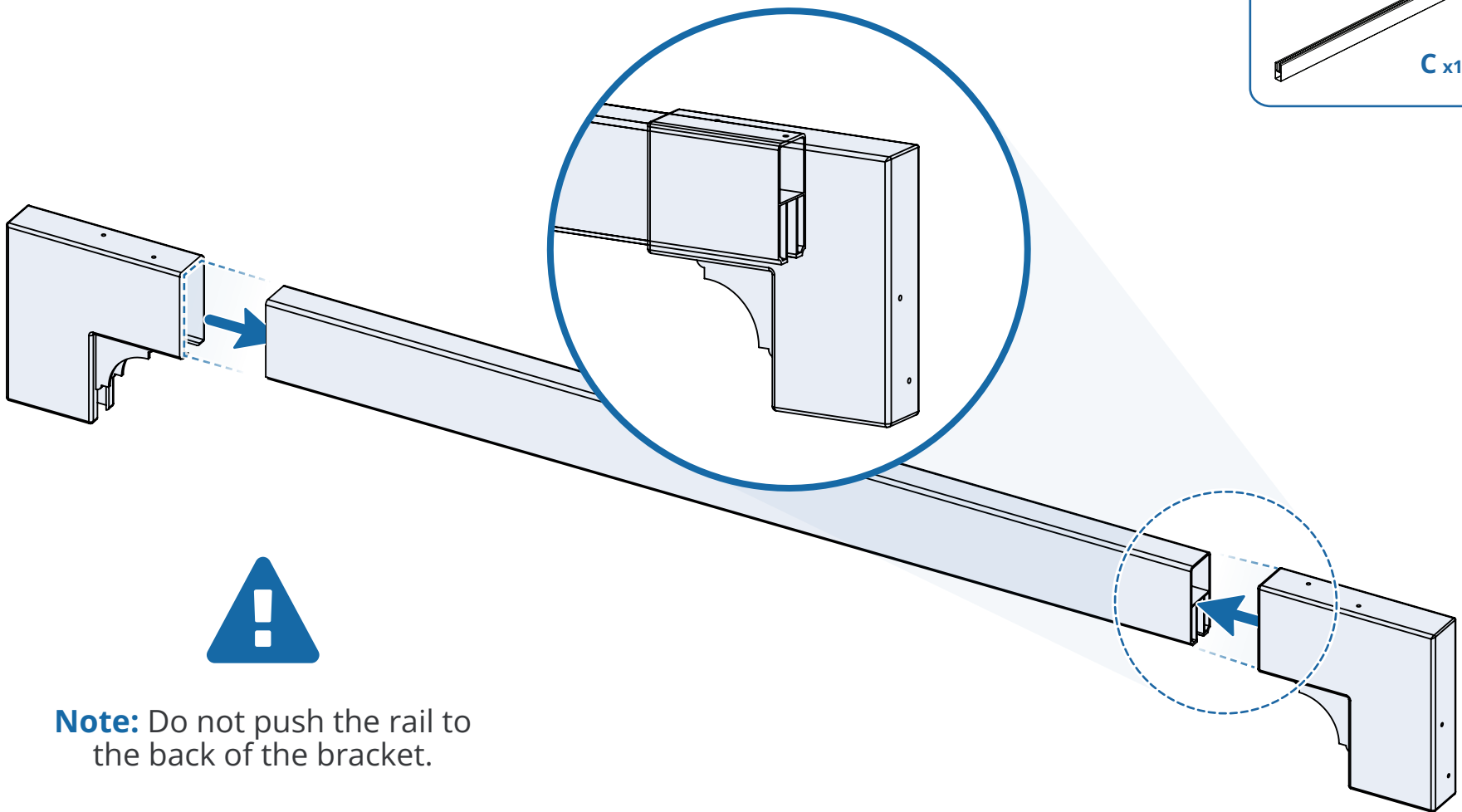


A x2



C x1

Firmly press each Rail Bracket (A) onto your remaining Rail (C).



Note: Do not push the rail to the back of the bracket.

STEP
06 Install
Top Rail

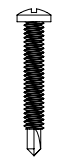
Install your pre-assembled top rail onto the gate frame.

Fasten using (8) 1 1/4" White Self-Drilling Stainless Steel Screws (D).

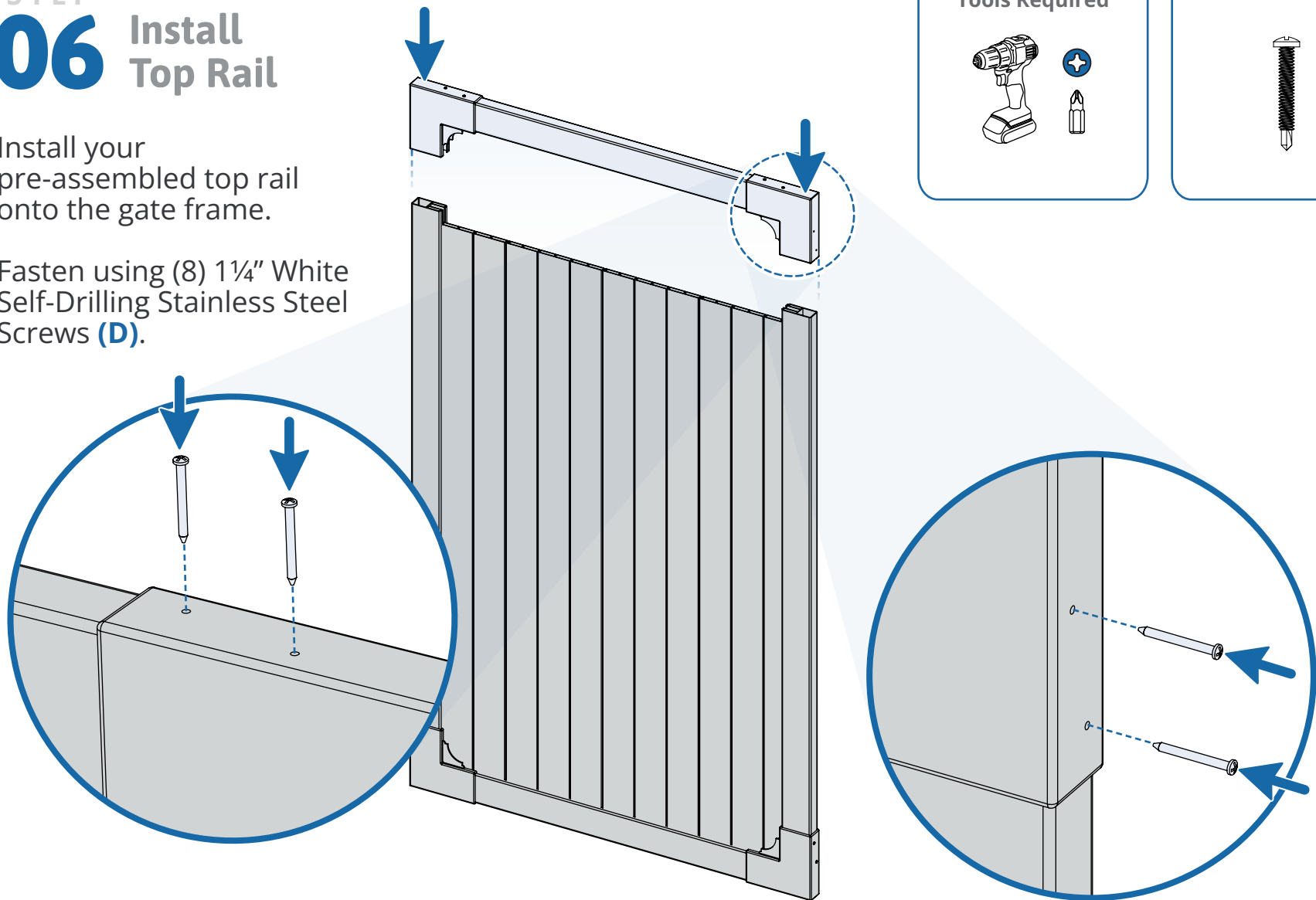
Tools Required



Parts:



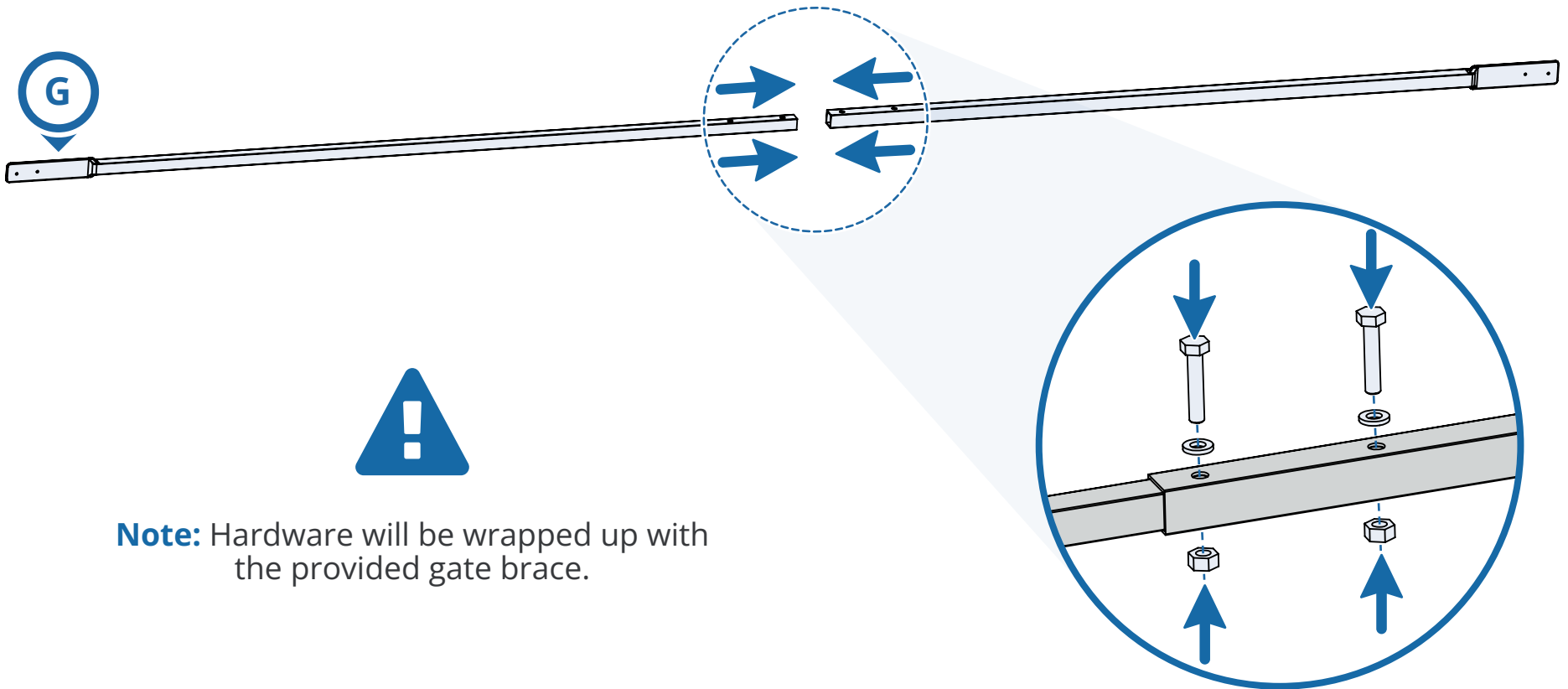
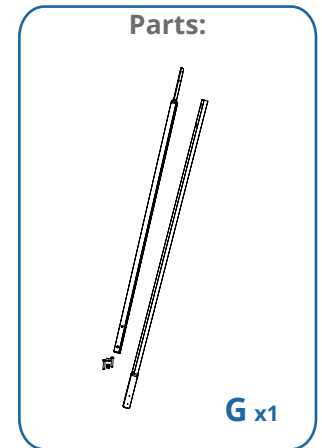
D x8



Note: Apply downward force on your top rail, while screwing into place, to ensure your frame is square.

STEP
07 Assemble
Brace

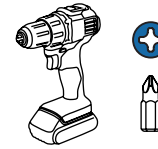
Align your holes and assemble your Gate Brace (**G**) using the included hex bolts and washers.



STEP 08 Brace Installation

Fasten the brace to your gate with (4) 1¼" white self-drilling stainless steel screws.

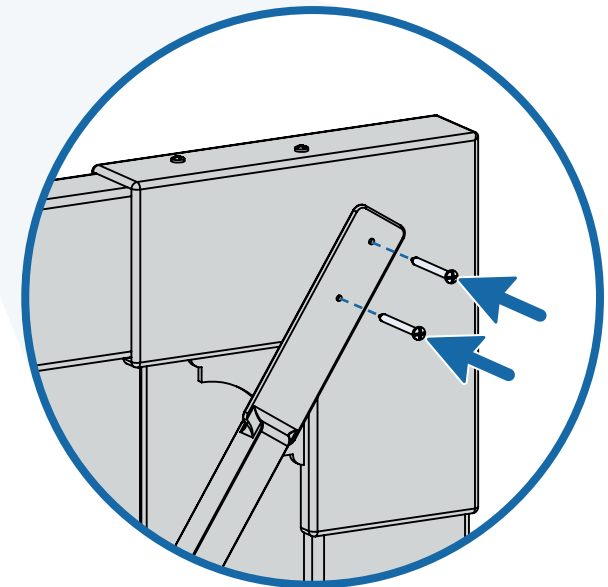
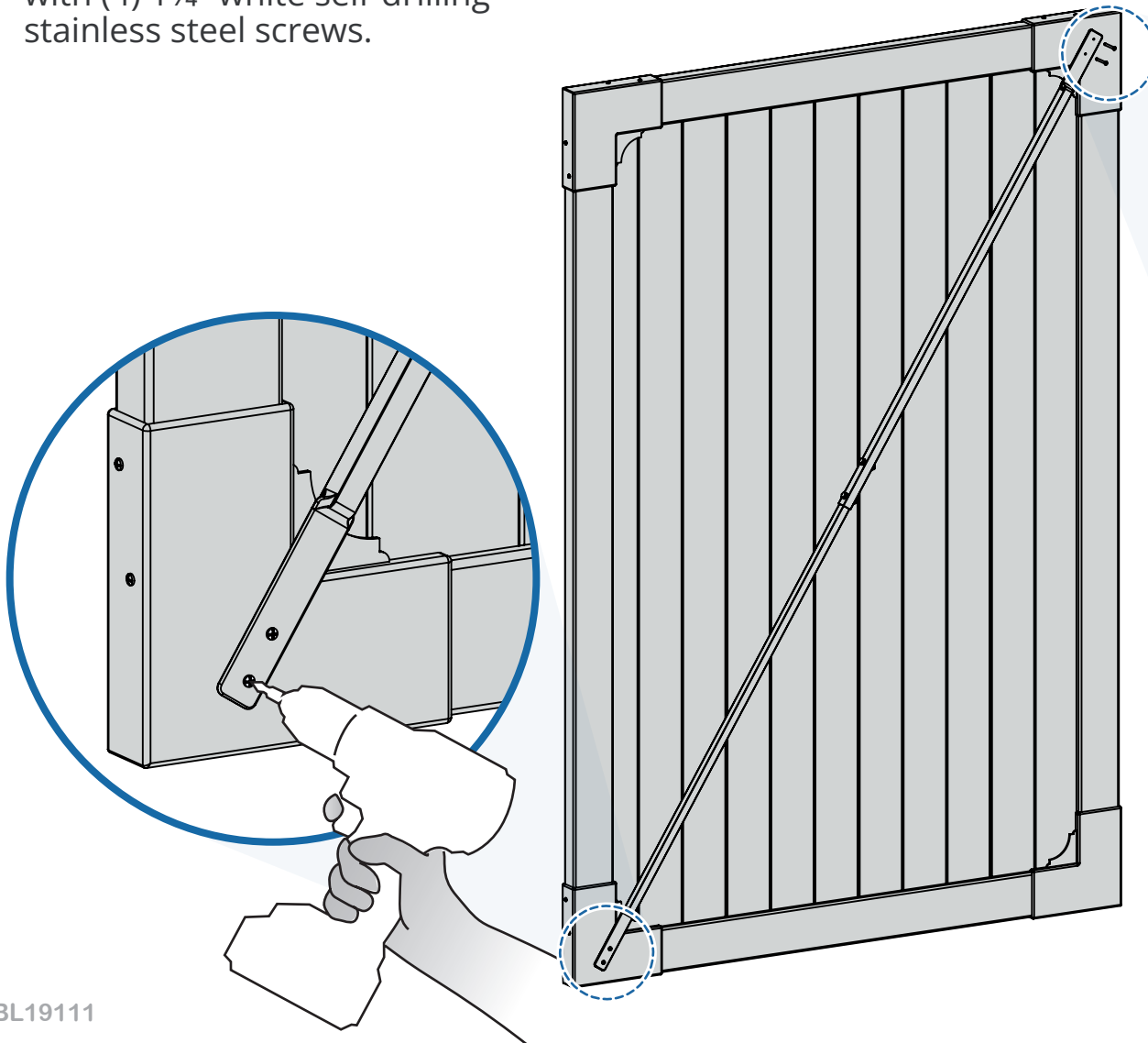
Tools Required



Parts:



D x4



Note: For best performance, the gate brace should be installed so the top of the brace is on the side with the latch finger.

STEP 09 Loosen Hinge

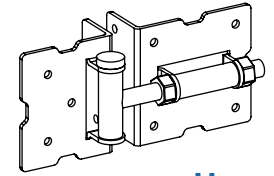
Note: (Optional) For slower self closing

Insert your tension pin **(I)** into a hole on the top of your hinge.

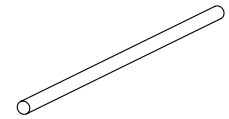
Scan to learn how to use our hinge.



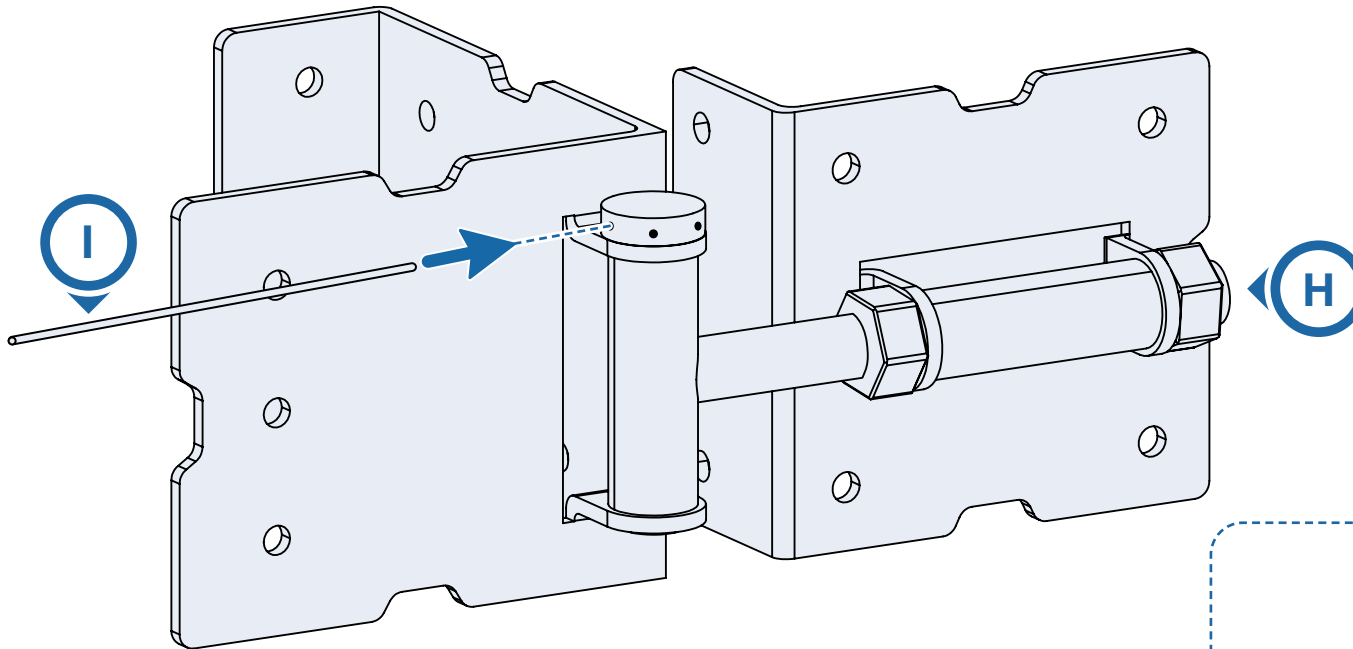
Parts:



H x1



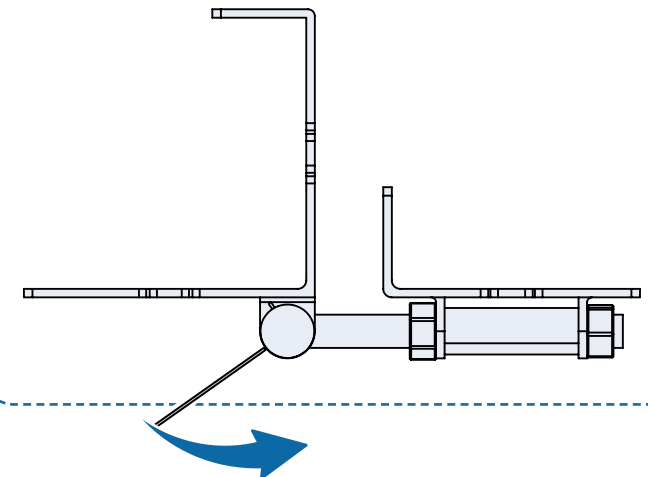
I x1



Once you have your tension pin inserted. Rotate your pin to the right, this will take a lot of force.

To loosen the tension: With your tension pin turned all the way to the right, remove the smaller pin. Slowly let the tension pin go back to the left and place the smaller pin in a new hole. This will loosen your hinge and make installation easier.

Top View:

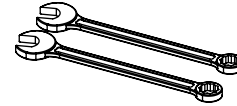


STEP 10 Leveling System

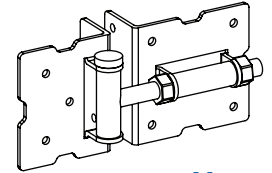
Using your two wrenches loosen or tighten the nuts on the hinge to adjust the spacing between your gate and hinge post.

This can also help you moderately level your gate later on.

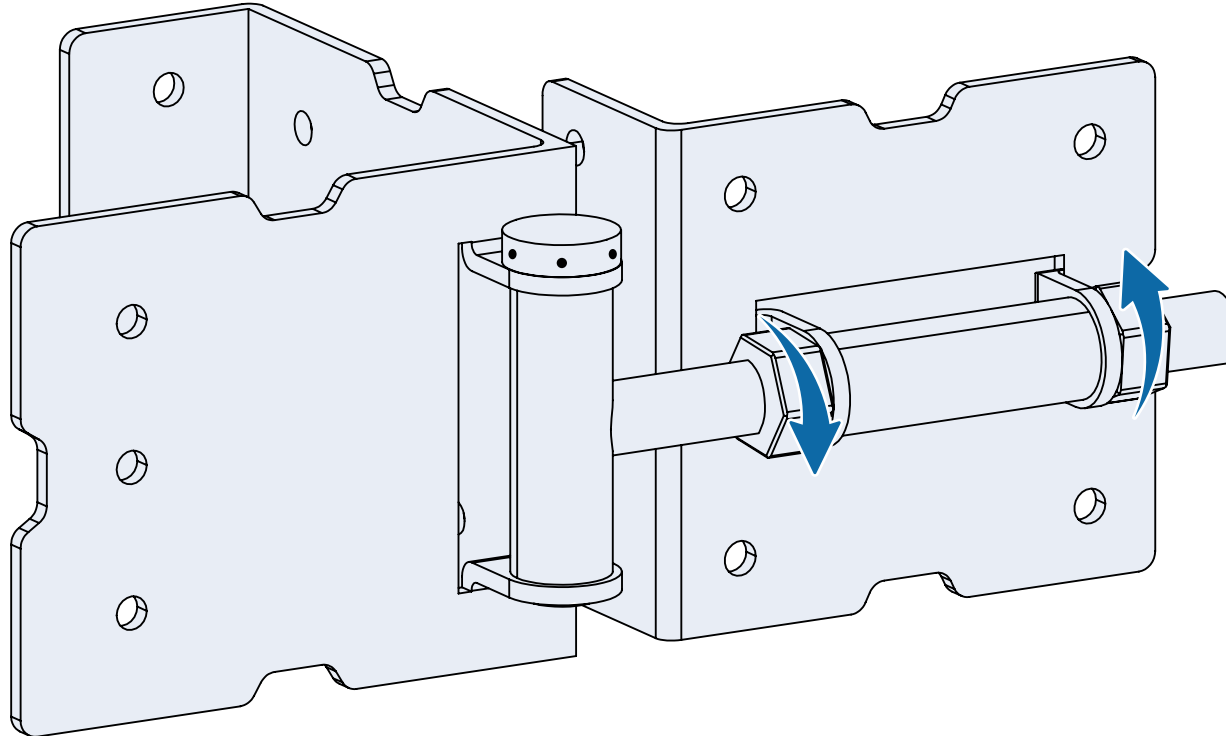
Tools Required:



Parts:



H x1

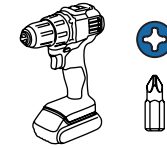


STEP 11 Hardware Installation

A. Fasten the Latch Finger (**K**) to the top bracket with (6) 1¼" black self-drilling stainless steel screws.

B. Fasten the Hinges (**H**) to the front of the gate brackets with (12) total 1¼" black self-drilling screws.

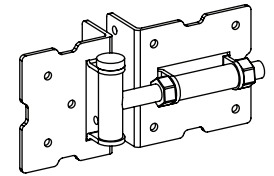
Tools Required:



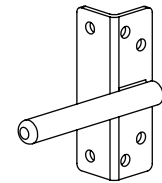
Parts:



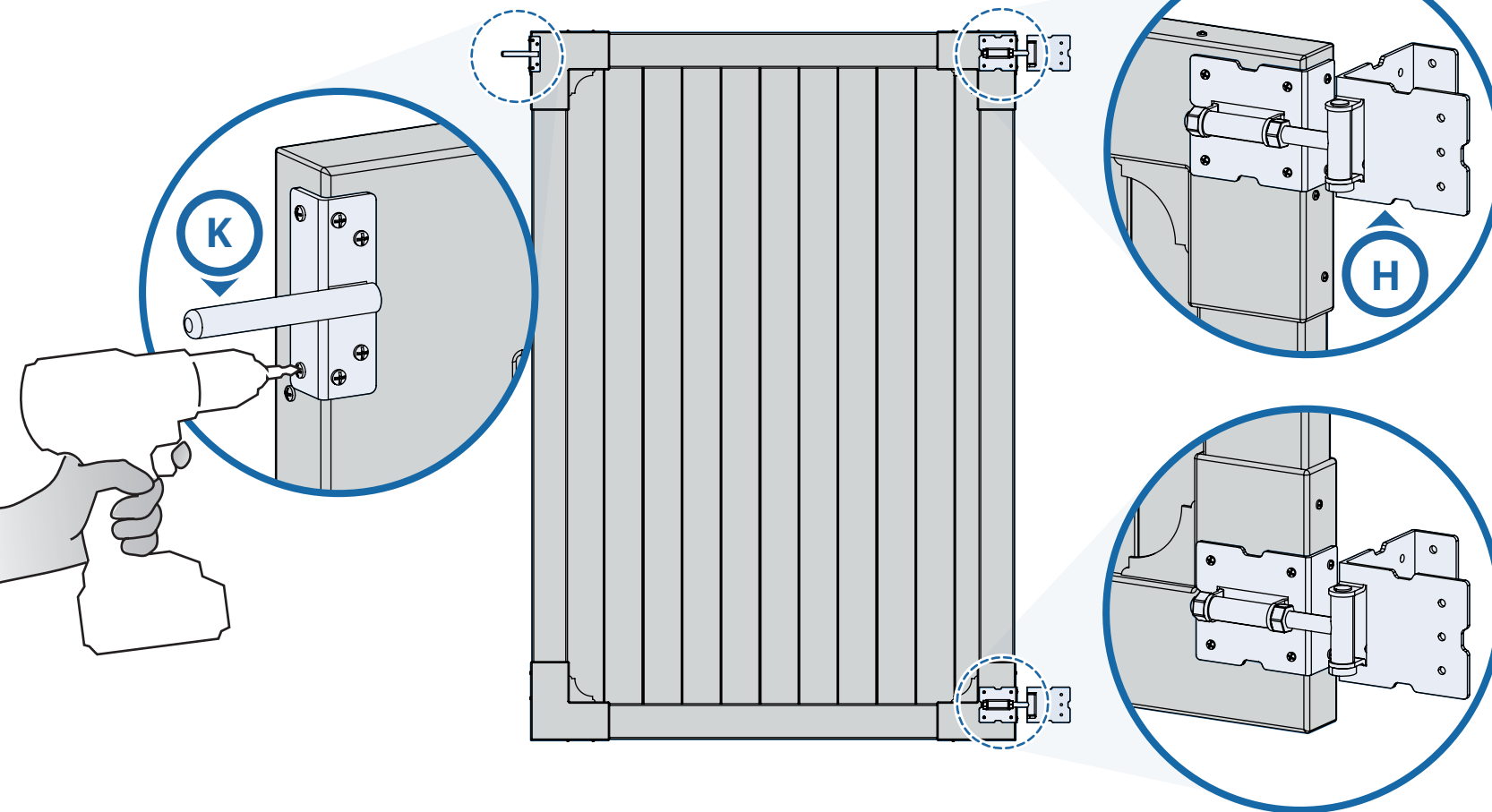
x18
(Screws included with parts H and K)



H x2

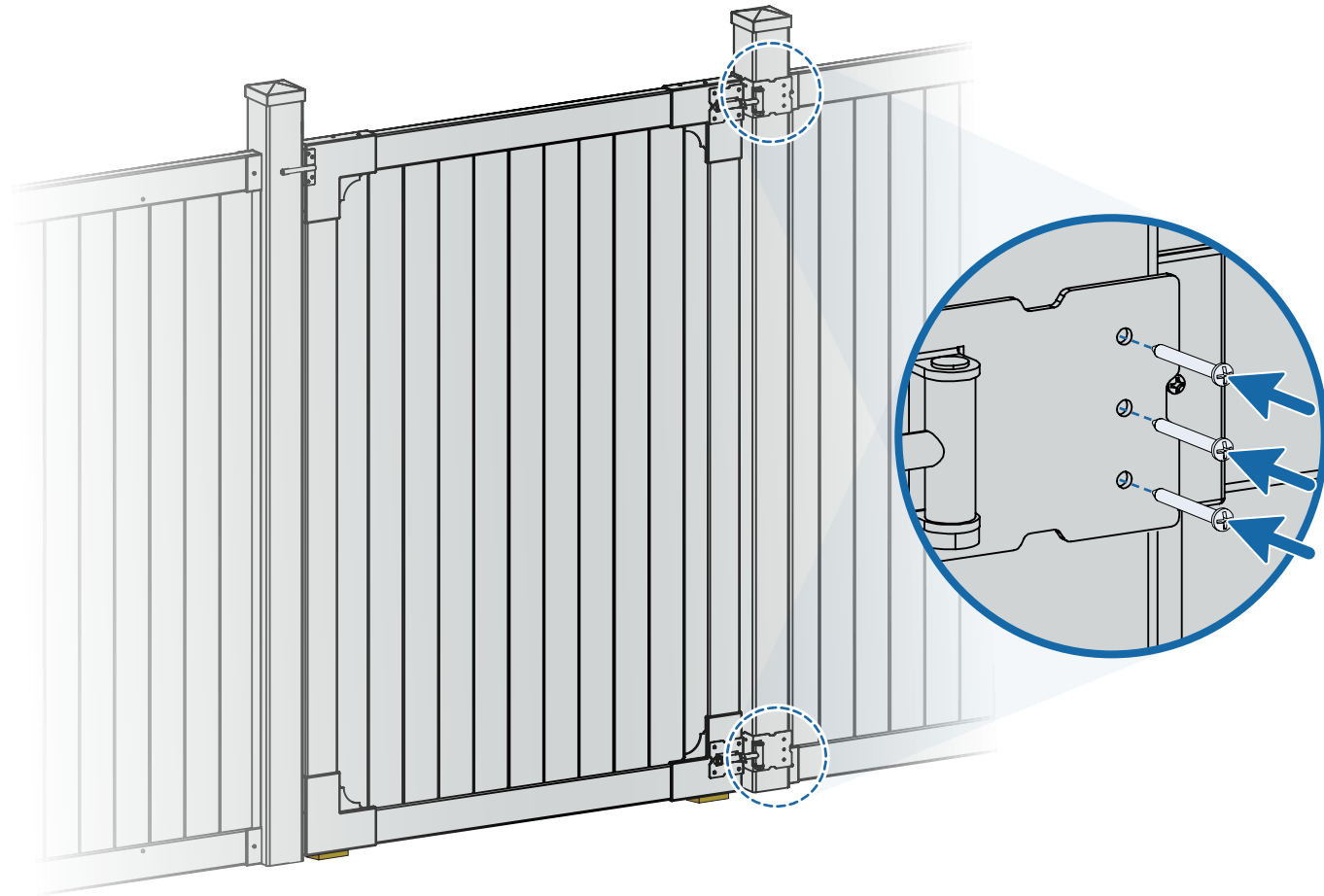
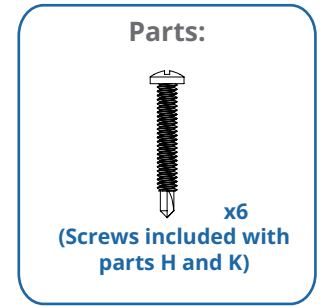


K x1



STEP
12 Hinge
Installation

Fasten hinges to the post with (6) total 1¼" black self-drilling stainless steel screws.



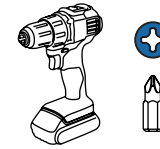
Note: Place wooden blocks under your gate to ensure it is level with your fence rails.

STEP 13 Hinge Installation

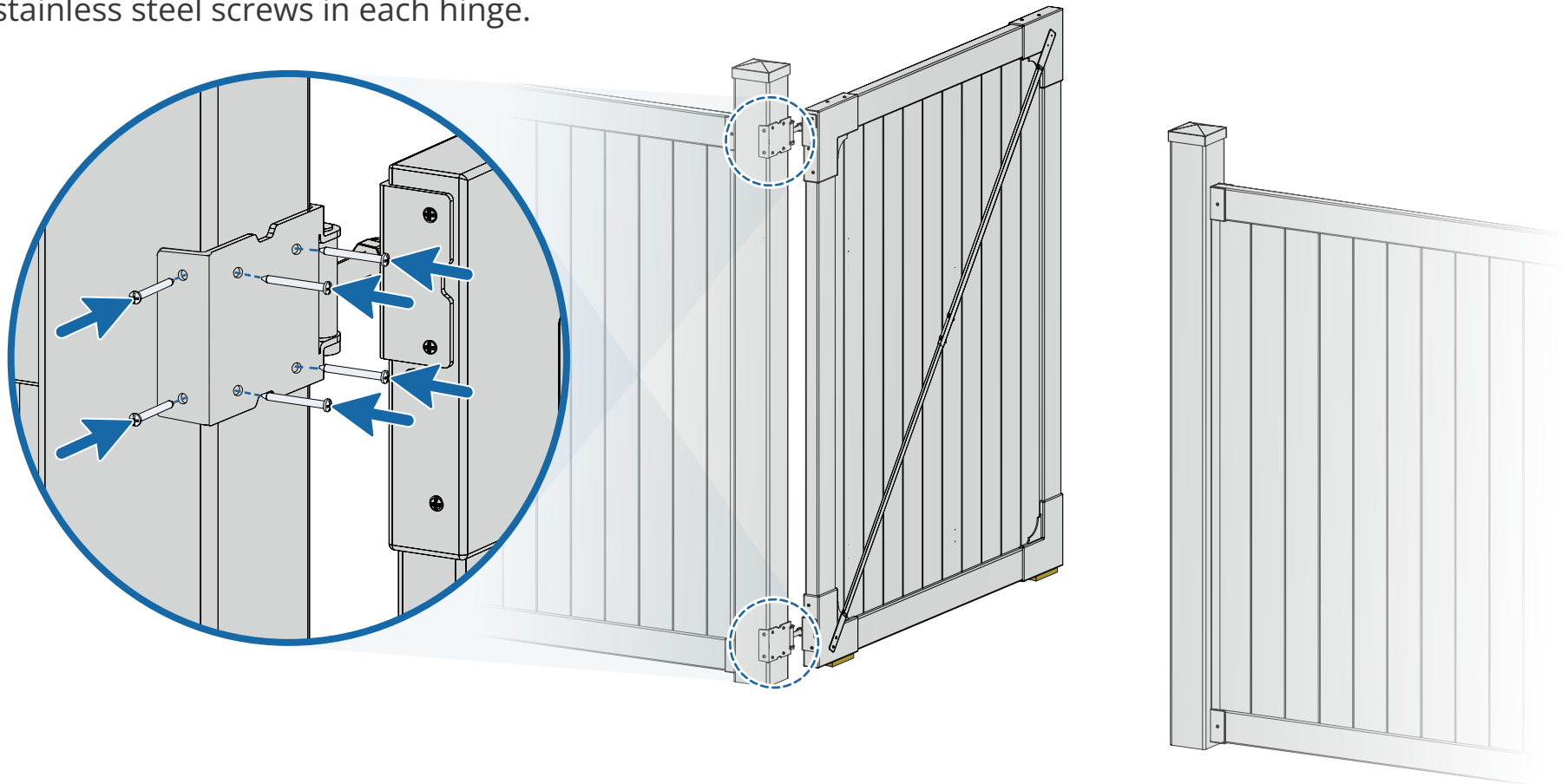
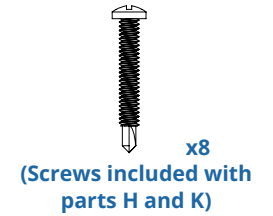
Open your gate, make sure to set your gate on the two wooden blocks, from the previous step, to keep your gate level.

Fasten hinges to the post with (12) total 1 1/4" black self-drilling stainless steel screws in each hinge.

Tools Required



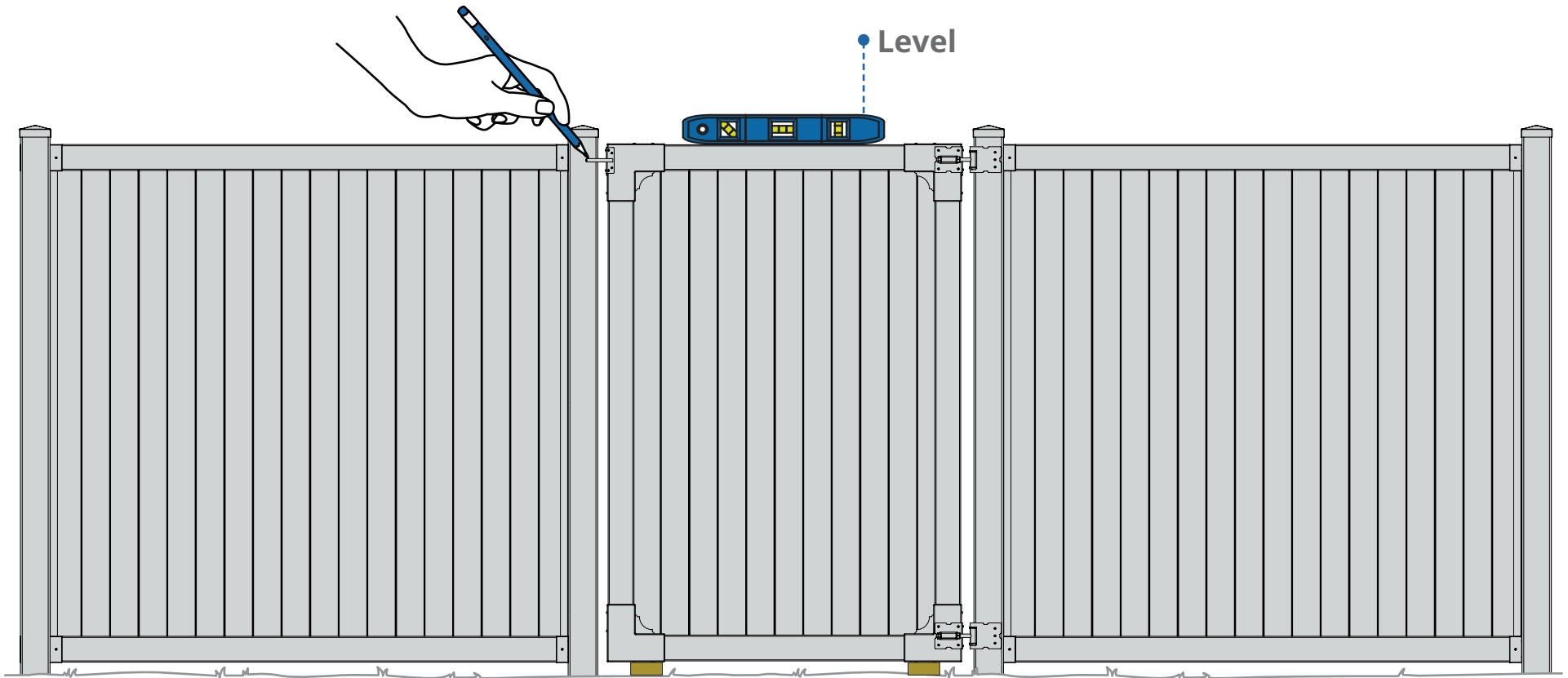
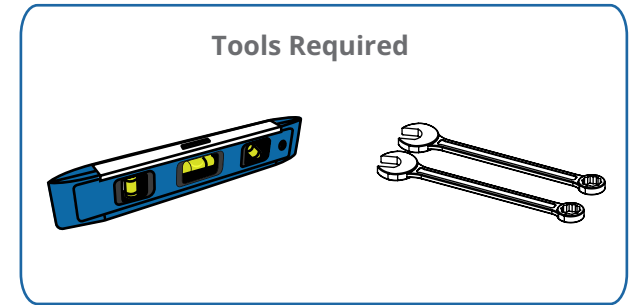
Parts:



STEP
14 Leveling
Your Gate

Level the gate to the fence post by adjusting the nuts on the hinges. Check the gate to make sure it functions correctly.

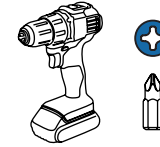
Mark where you need to install your latch catch.



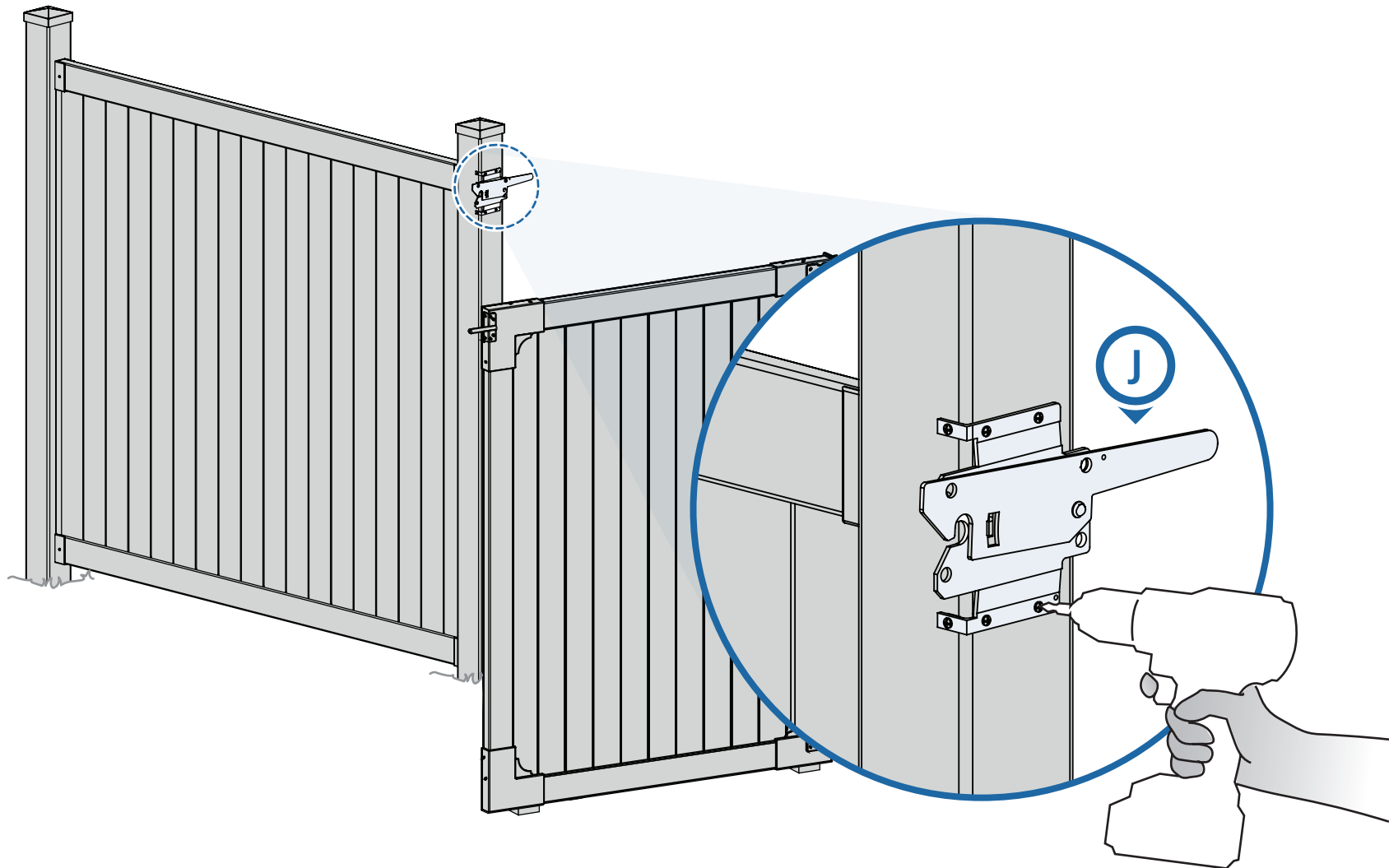
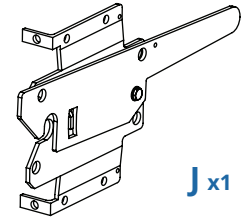
STEP
15 INSTALL
LATCH CATCH

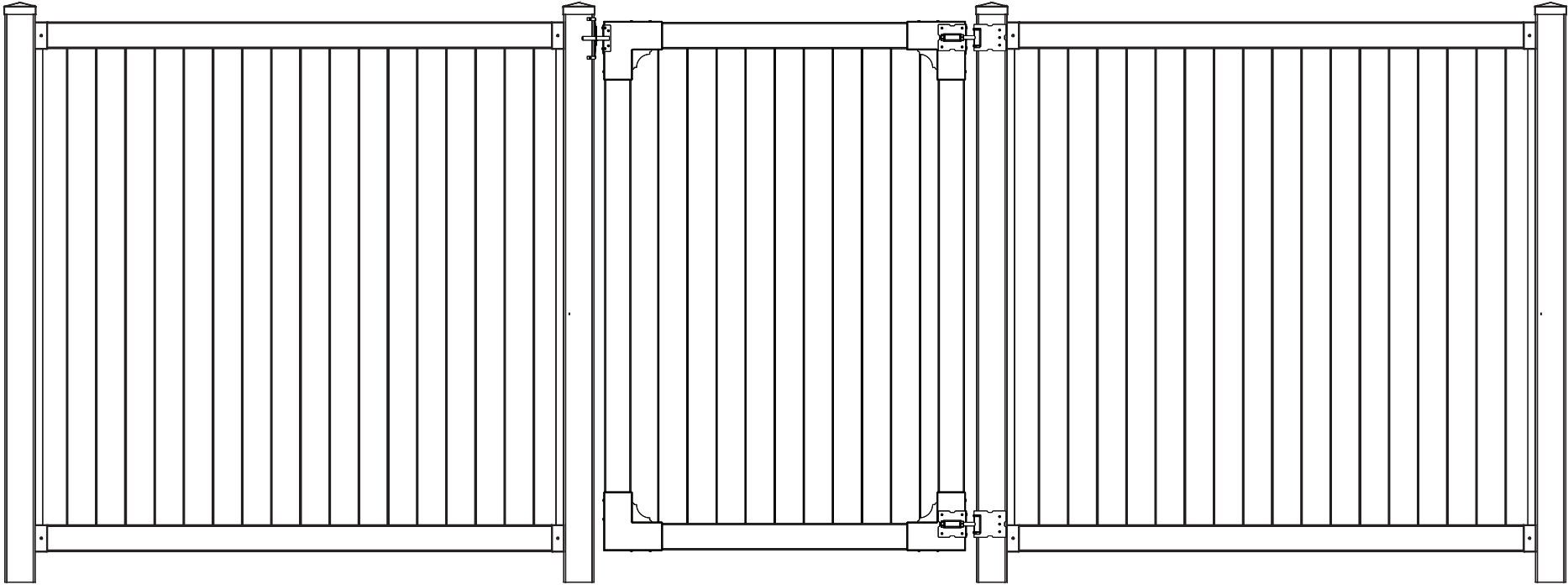
Open your gate. Align and fasten the Latch Catch (J) with (6) 1¼" black self-drilling stainless steel screws.

Tools Required



Parts:







ASSEMBLY INSTRUCTIONS

BL19111



6935 Reames Rd. Ste. K.
Charlotte, NC 28216



hmmm@wambamfence.com

704-892-5222
877-778-5733



WWW.WAMBAMFENCE.COM