



Single Track Bypass Barn Door Hardware

Installation Manual



SAFETY PRECAUTIONS

⚠ WARNING!

- Power tools can cause serious damage if not professionally used. Safety gear must be worn before installation to prevent unexpected injuries.
- Pick an area free of hazardous condition before you start on the project. Please use tools and power tools responsibly any loss of control and accident deaths may occur due to abuse of tools.
- Please make sure all hardware is secured on to the door is sufficiently tight. Doors with loose hardware may result in unexpected serious injuries. To avoid any problems, be sure hardware is secure before door is put on the track.
- All hardware provided is for safety reasons. Anti-Jump systems are to prevent doors from falling off the track while in use. Please follow each instruction carefully. Track must be installed on studs in order to keep the track and doors secure from serious problems. All safety hardware and instructions included in this project must be used and followed specifically to prevent any unforeseen serious problems.

!CAUTION!

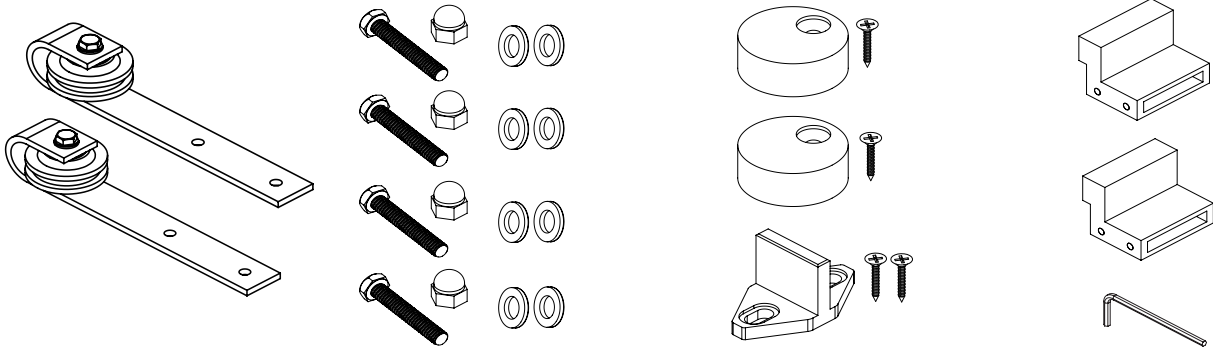
- Big objects required in this project are needed to be carefully and responsibly moved. Be sure to wear safety gloves and shoes to prevent any serious injury.
- Be extremely careful to not put any parts of your body against a moving part of the hardware. This may cause bruising, punctures, and other results of injuries when for example when fingers are caught in the closing area of the doors.
- Precautions should be taken when opening or closing the door(s). Handles should be used when attempting to slide the door(s). Always keep you and children aware and safe from any unexpected situations.
- Any extreme uncontrolled pressure opening or closing the door(s) can damage the hardware gradually. Use handle(s) to open and close the door(s) with care at all times.

HARDWARE INCLUDED

**Different track length comes with different hardware quantity.
Please be sure to check the hardware you should have before installation.**

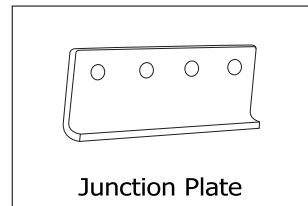
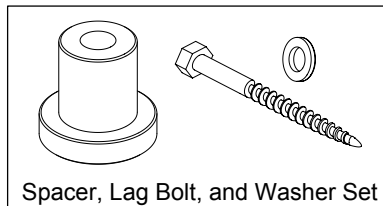
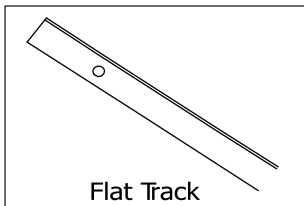
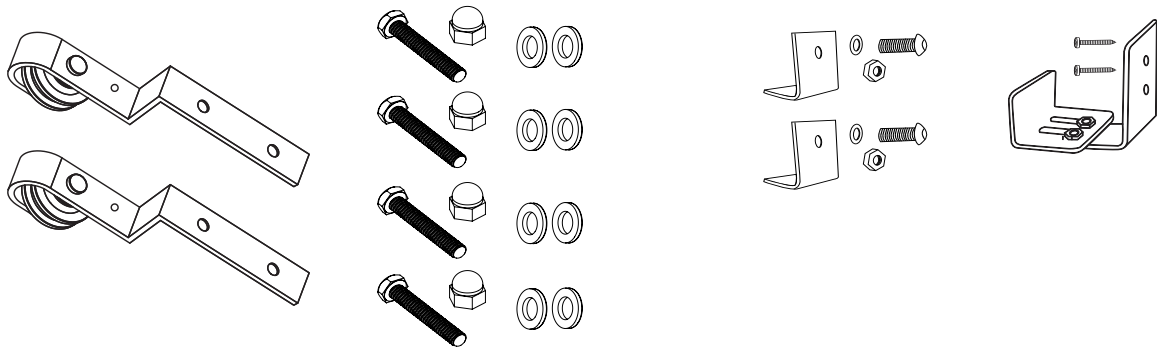
Hanger/Roller Box contains:

Steel Hanger/Roller (2) Hex Bolt (4), Acorn Nut (4), Washer (8) Anti-Jump Pad (2), Floor Guide (1) Door Stopper (2), Hex Wrench (1)



Bent Hanger/Roller Box contains:

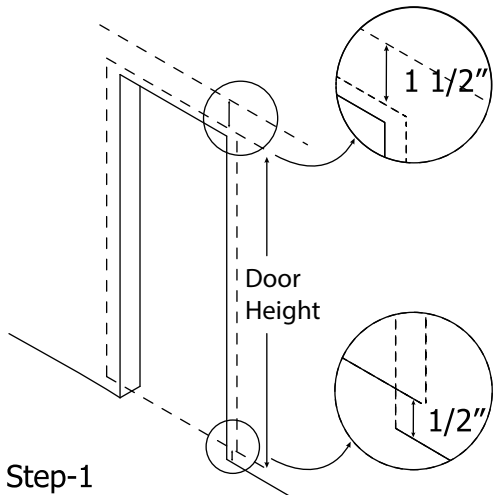
Steel Hanger/Roller (2) Hex Bolt (4), Acorn Nut (4), Washer (8) L Shape Anti-Jump (2), Adjustable Floor Guide (1)



HARDWARE CHECKLIST

Track Measurement	Hanger/Roller Box	Bent Hanger/Roller Box	Flat Track	Spacer, Lag Bolt, and Washer Set	Junction Plate
4FT	1	1	1	3	0
4.5FT	1	1	1	3	0
5FT	1	1	1	4	0
5.5FT	1	1	1	4	0
6FT	1	1	1	5	0
6.6FT	1	1	1	5	0
7FT	1	1	1	5	0
7.5FT	1	1	1	6	0
8.FT	1	1	1	6	0
9FT	1	1	2	6	1
10FT	1	1	2	8	1
11FT	1	1	2	8	1
12FT	1	1	2	10	1
13FT	1	1	2	10	1
14FT	1	1	2	10	1
15FT	1	1	2	12	1
16FT	1	1	2	12	1
18FT	1	1	2	15	1
20FT	1	1	2	15	1

INSTRUCTIONS



Step-1

Draw a horizontal line using the following formula ($1/2'' + \text{Door Height} + 1 1/2''$). This line will be used to line up horizontally to the center of the track.

REMINDER: Make sure your floor is level. If not, please measure the distance from the highest point of your floor.

This procedure should be done so that when the doors go on the track it will slide smoothly above that highest point of the floor.

Find all the studs and then lay your track onto the wall, Make sure the line you drew previously lines up horizontally to the center of the track and each hole is on the studs location. Then mark the center of the holes position.

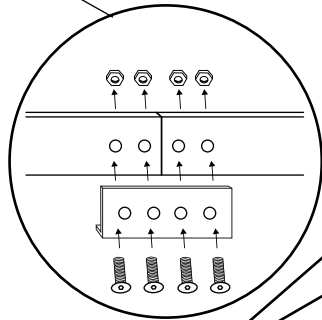
REMINDER: Depth of track to wall is $1 3/8''$. If you have a door trim be sure to use a header that has the same thickness of your trim before installation of the track or a second option would be a $3/4''$ spacer extenders which we can offer when requested, so the door can clear off the door trim when sliding. Also if your track cannot line up to the studs be sure to use a header board for safety purposes.

1. Drill the previously marked holes and install the lag bolt and spacer onto the first hole as shown in the picture.
2. Install the door stoppers on an approximate position where you want the doors to stop.
3. Repeat the same process for the remaining holes.

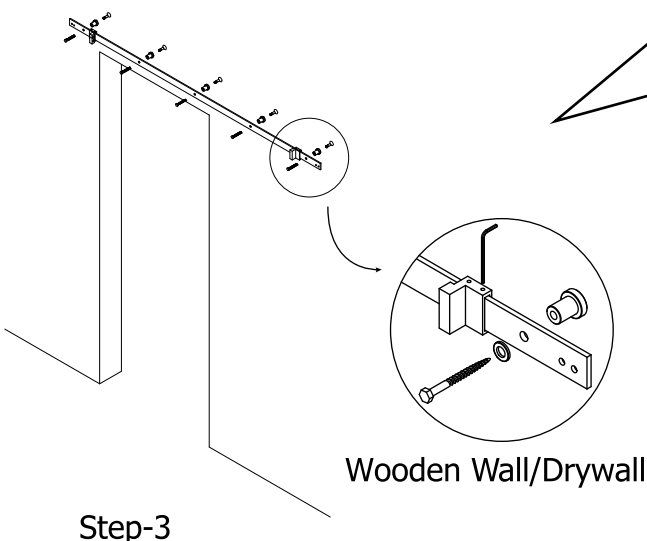
CAUTION: Do not over tighten when installing the track on any drywall surfaces or you may be at risk of damaging your drywall.

Notice: The reason of installing the door stoppers before mounting the second hole is to avoid taking off the already installed bolts and spacers if you decide to install the stoppers between the two holes. The door stoppers position is adjustable between the two holes using the hex wrench.

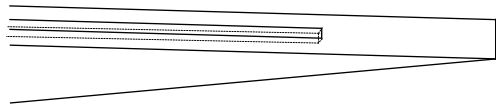
If your track comes in 2pcs or more, install the junction plate on to each two tracks like the diagram shown here.



Step-2



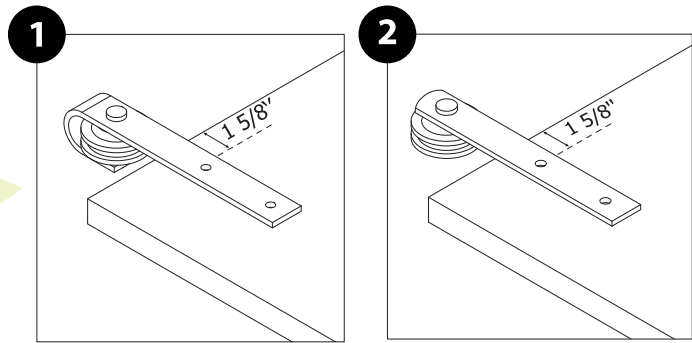
Step-3



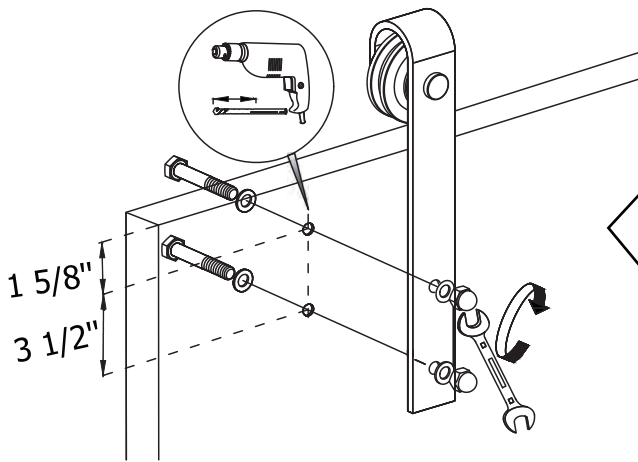
Open a slot that is 1/4" wide and 13/16" deep at the bottom of the door with a router. This groove will be used with the floor guide.

Step-4

Installation measurement for two different types of designs.



Classic Design Hanger Straight Design Hanger



Step-5

Drill the holes for the hanger according to the dimension given in the picture. This distance from the top of the door to the center of the upper hole is 1 5/8". The distance from the left (right) edge of the door to the left (right) edge of the hanger is up to your choice. It should be at least be a minimum of 1" away from the edge to prevent any damage to your doors

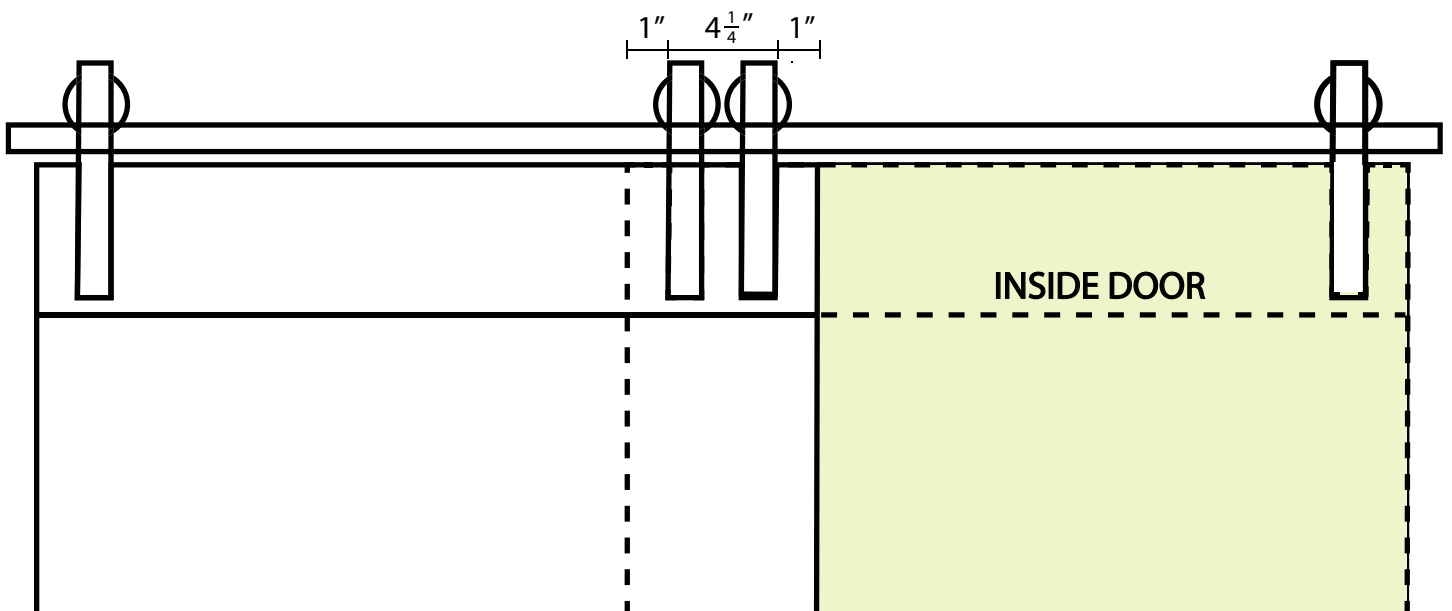
Here is the formula to calculate the overlap space:

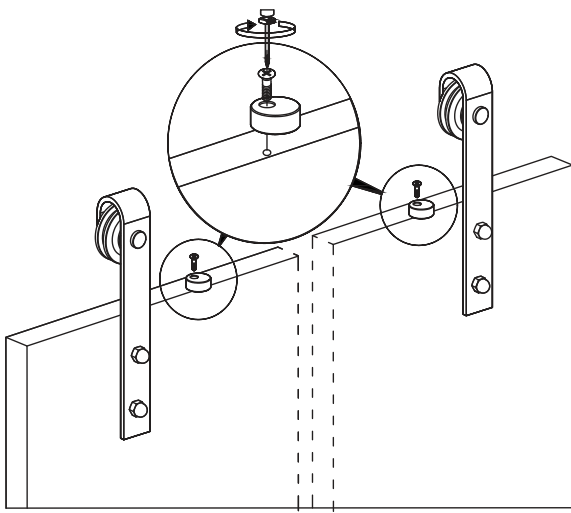
The overlap = 2* Distance from the left (right) edge of the door to the left (right) edge of the hanger + 4 1/4"

For example, if you install each hanger 1" from the edge of the door, the overlap is 2* 1" + 4 1/4" = 6 1/4"

Please follow the diagram above on how the hex bolt, washers and nut should be installed on the door and hangers. Do not install them any other way since it may interfere with the function of the sliding system.

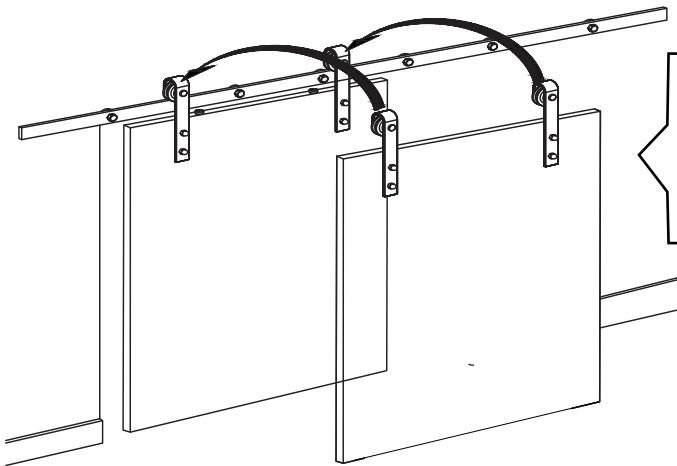
Overlap Diagram





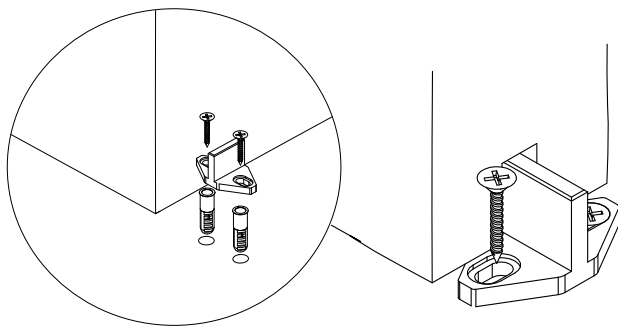
Install the anti-jump pads on top of the door as shown in the picture. There is no strict requirement on its position.

Step-6



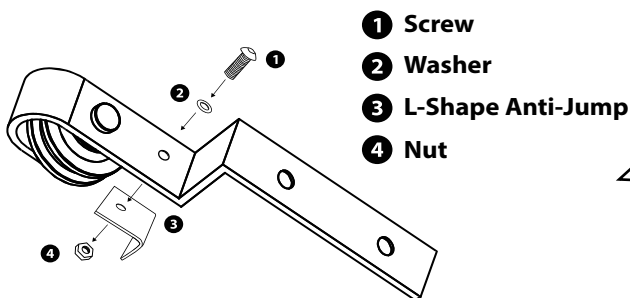
To mount your doors onto the track, you will have to lift your door at a slight angle and rest both wheel grooves onto the top of the track carefully.

Step-7



Usually floor guides are installed in the middle of the opening for single track bypass but we recommend to install the regular floor guide in your own location preference depending on how you want your inside door to slide. After the door is hung on to the track you will be able to locate where you want the floor guide to be installed according to your decision of sliding.

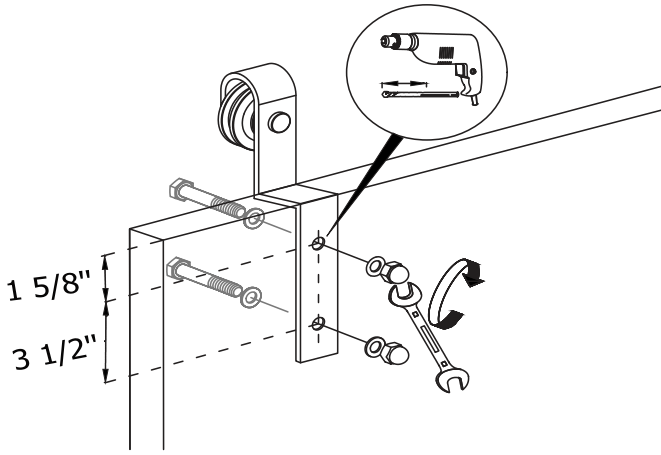
Step-8



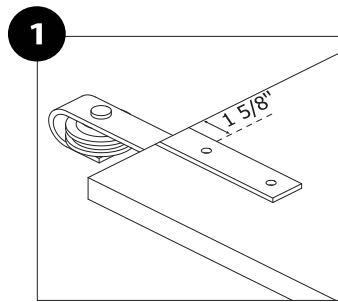
Assemble accordingly like the diagram shown in this box. This an anti-jump system that helps to secure the hanger when placed on to the track.

Step-9

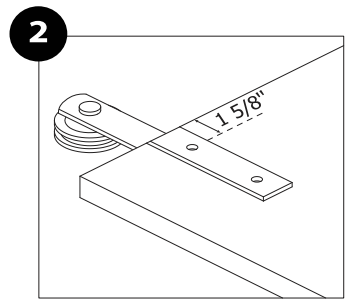
Installation measurement for two different types of designs.



Step-10



Classic Design Hanger

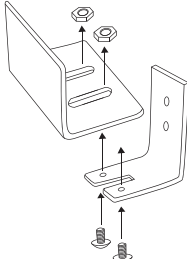
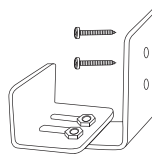
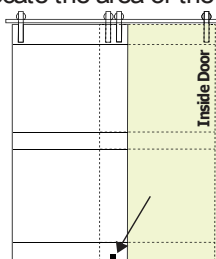
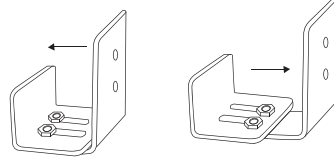
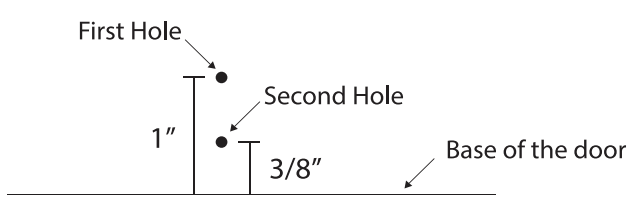
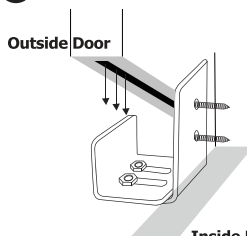


Straight Design Hanger

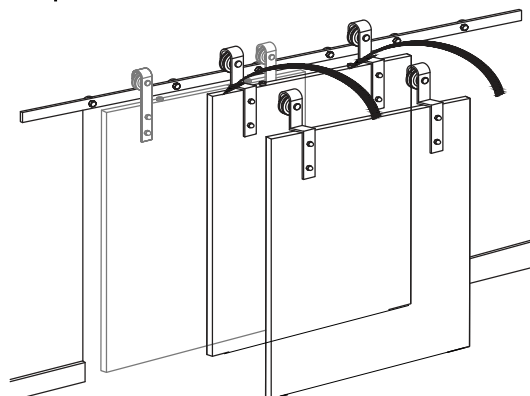
Repeat the same step for the bent hanger design. Just like step 5.

Please follow the diagram above on how the hex bolt, washers and nut should be installed on the door and hangers. Do not install them any other way since it may interfere with the function of the sliding system.

INSTALLATION OF THE ADJUSTABLE FLOOR GUIDE FOR BENT HANGERS

<p>1 Put the hardware together.</p>  <p>Fasten the screws loosely but just enough to hold them together.</p>	<p>4 Install the bypass floor guide on to the area marked.</p>  <p>Install the floor guide on to the inside door on the indicated area of the first and second hole.</p>
<p>2 Locate the area of the door to install the bypass floor guide.</p>  <p>Locate the area where the two doors overlap when its fully closed. Have the floor guide to be installed on the inside door. (Inside door is tinted on the diagram.)</p>	<p>5 Adjust the bypass floor guide.</p> <p>Adjustable to fit any door thickness.</p> <p>Now fasten the screws tightly so the adjustment does not move out of place.</p> 
<p>3 Mark the dotted guides on the location of the inside door.</p>  <p>First Hole Second Hole 1" 3/8" Base of the door</p>	<p>6 Have the outside door set on the track.</p>  <p>You can now put the outside door on the track and fit the tip in to the doors groove while following step 12.</p> <p>Outside Door Inside Door</p>

Step-11



Step-12

Repeat the same step for the doors with bent hanger as Step 7. You can use this method to slip the groove of the door into the tip of the floor guide.

YOUR INSTALLATION IS COMPLETE!



SLIDING HARDWARE / BARN DOORS

High Quality • Exquisite Design • Outstanding Services

ABOUT US

At Homacer, our goal is to provide the finest sliding barn door hardware products and services for our valued customers. We keep polishing our products to make their quality better, prices lower and installation easier. We make it possible for you to get everything you need from us when you think about installing sliding barn doors.

CONTACT US

Office #: 1(770) 864-5437

Website: www.homacer.com

Email us: info@homacer.com

LOCATION

1885 Beaver Ridge Cir, Ste A
Norcross, GA 30071