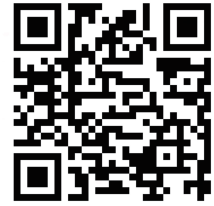
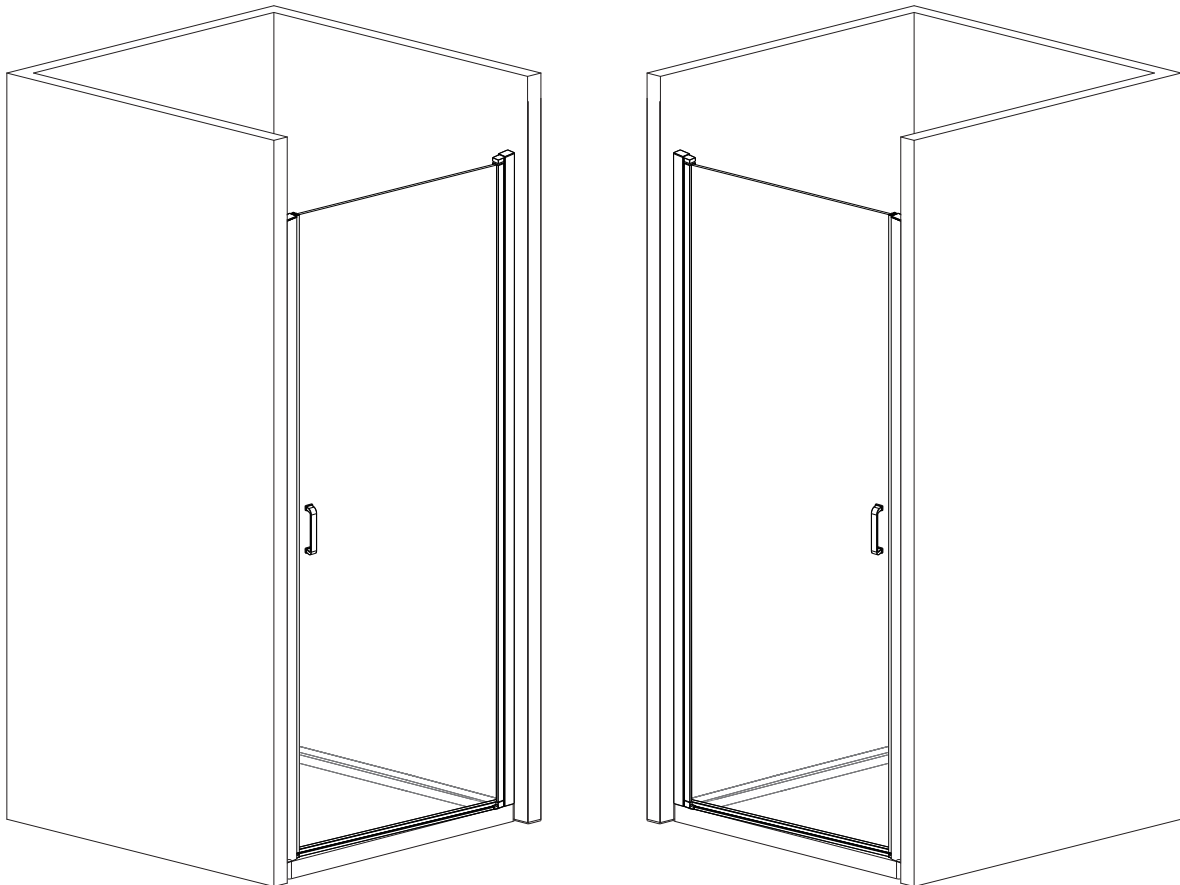


INSTALLATION INSTRUCTIONS

Series:Apex



SCAN THE QR CODE TO
WATCH THE INSTALLATION VIDEO



**THANK YOU FOR PURCHASING OUR PRODUCTS.
FOR IMMEDIATE ASSISTANCE WITH ASSEMBLY
OR PRODUCT INFORMATION ,PLEASE EMAIL US AT:**



goodaftersale@hotmail.com

Please include your order number and the model number in your email.

Our customer service team is available to assist you Monday to Friday
8:00 AM to 5:00 PM (PST).

PREPARATION & IMPORTANT NOTICES

▲ Inspect Before Installation

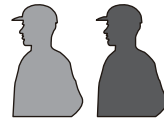
Inspect all cartons for shipping damage and verify all parts against the Parts List before installation. Read this manual completely before beginning. Report any damage, finish defects, or missing parts to customer support within 3 business days of delivery. Claims after installation may not be accepted.

◆ Code Compliance

Installation must comply with all applicable local building and plumbing codes. Code requirements vary by location. The manufacturer is not responsible for code compliance or inspection approval.

◆ Plumbing Requirements

Complete all required plumbing and drainage work prior to installing the shower enclosure. Plumbing work must be performed by a qualified professional where required by local code.



Note: This product is heavy—two-person installation is recommended.

◆ Wall and Threshold Conditions

Ensure all mounting surfaces are solid, level, and capable of supporting the unit. Walls must be plumb and square. This single-door installation provides up to approximately 13/16 in. (20 mm) of adjustment per side for the finished opening. Minor field adjustments may be required.

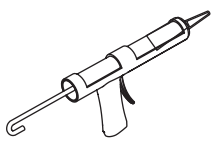
◆ Glass Handling & Surface Protection

Protect all product surfaces during installation. Do not place glass directly on hard surfaces. Use protective materials to shield glass edges and corners at all times.

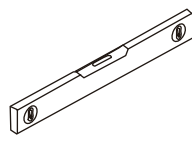
◆ Finished Surfaces & Installation Recommendation

This unit must be installed on a finished, level threshold and against finished, plumb walls. Due to the weight of the glass panels, professional installation is recommended.

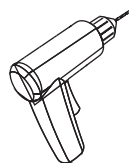
Tools Required



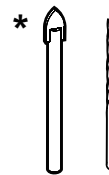
Silicone Sealant



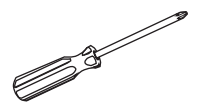
Level



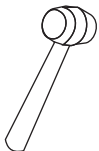
Drill



1/4" & 1/8" Drill Bits



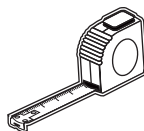
Screwdriver
(Phillips)



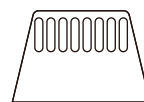
Rubber Hammer



Pencil



Tape Measure



Sealant
Finishing Tool



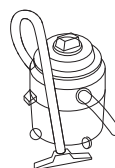
Painter's
Tape



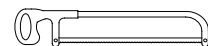
Safety Glasses



Work Gloves



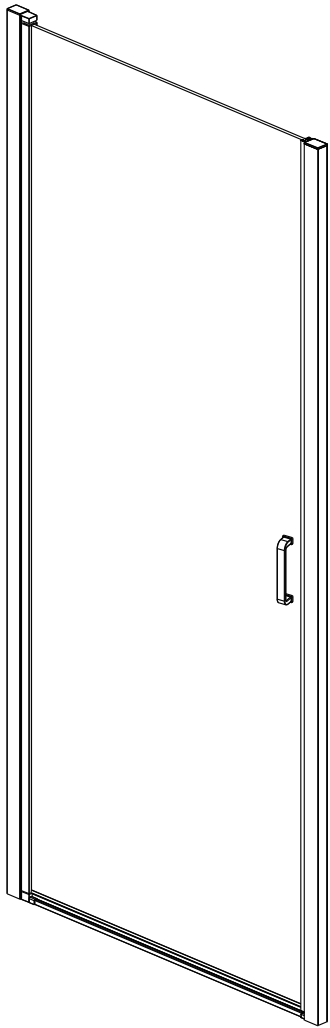
Vacuum Cleaner



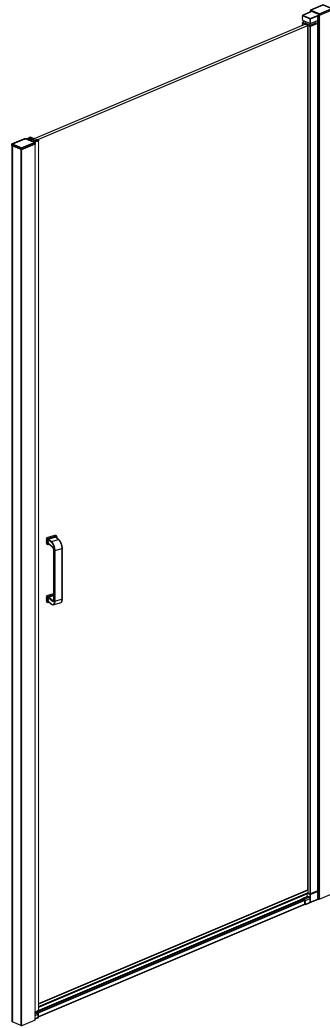
Hacksaw

* Use a 1/4" drill bit for ceramic when drilling into ceramic tiles

ASSEMBLED VIEW



or



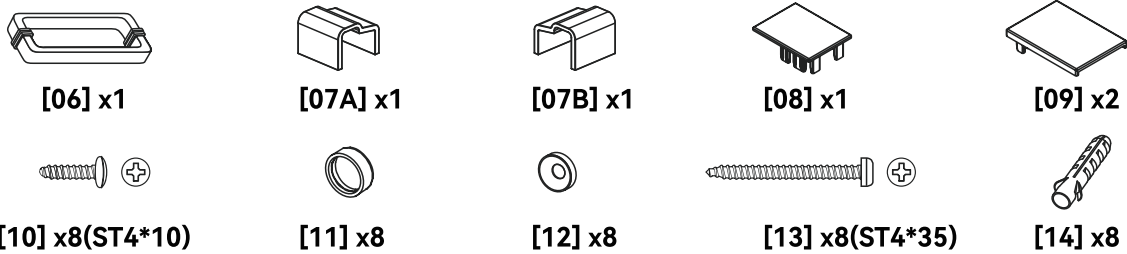
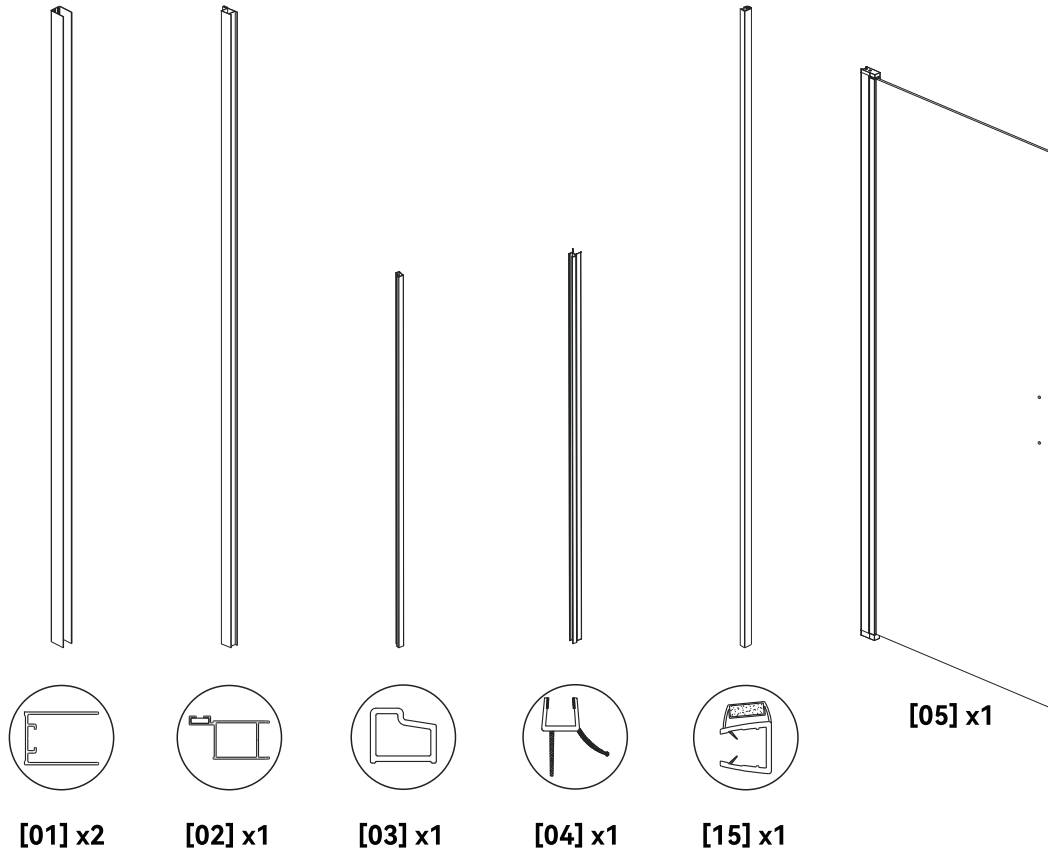
Left Pivot

Right Pivot

⚠ NOTE: All APEX series doors and enclosures feature double-sided nano Easy-Clean glass coating, allowing for reversible left- or right-hand installation without affecting performance or appearance.

INSTALLATION INSTRUCTIONS

Parts List

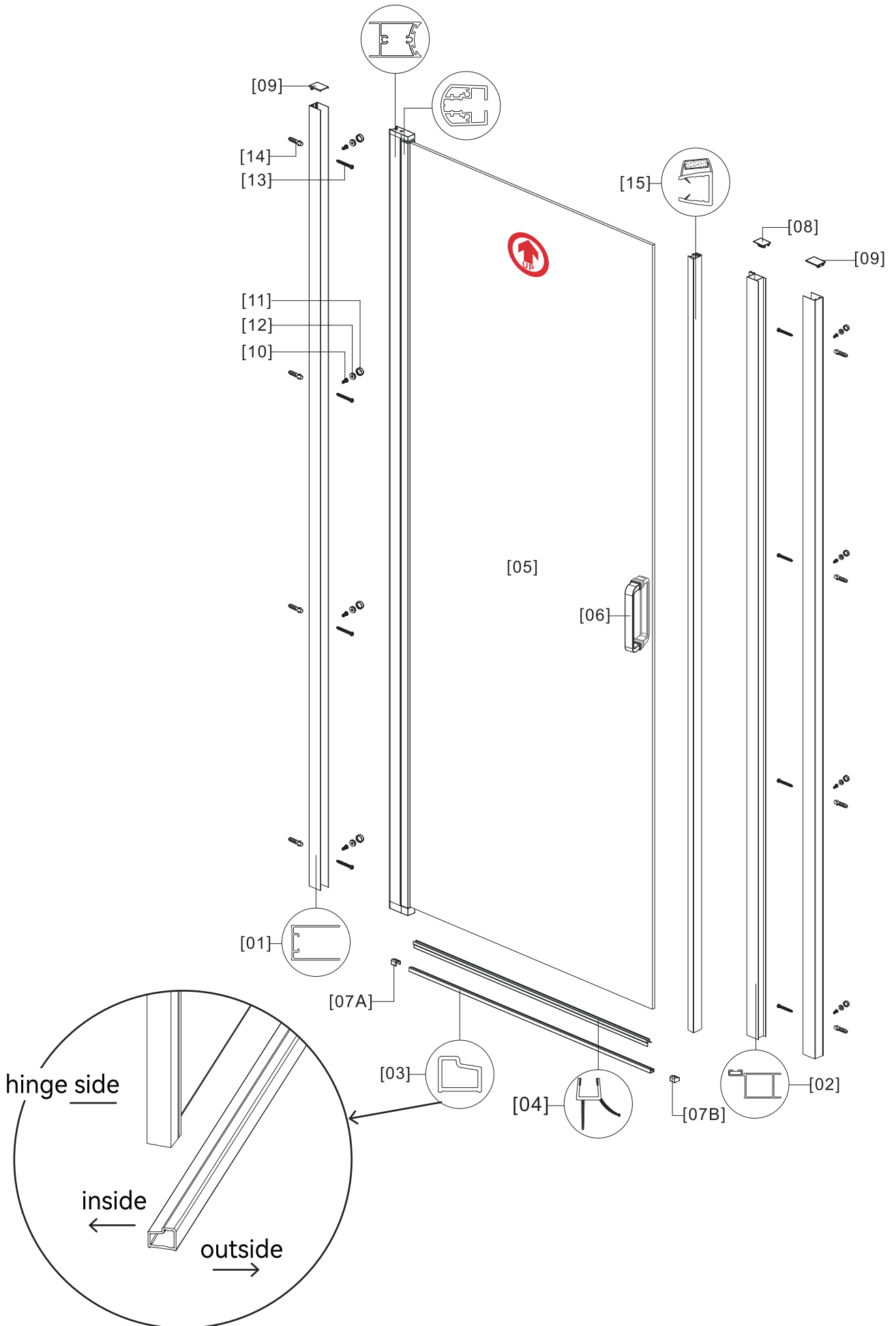


PACKING LIST

keep small parts away from children

Part#	Description	Qty	Part#	Description	Qty
1	Wall Jamb	2pcs	8	Top Frame Cap	1pc
2	Vertical Aluminum Profile	1pc	9	Wall Jamb Cap	2pcs
3	Aluminum Threshold*	1pc	10	Screw ST4*10m (3/8")	8pcs
4	Bottom Door Gasket	1pc	11	Screw Cap	8pcs
5	Glass Door	1pc	12	Back Screw Cap	8pcs
6	Handle	1pair	13	Screw ST4*35mm(1-3/8")	8pcs
7A	Glass Door Threshold Anchor (Left side)	1pc	14	Wall Plugs	8pcs
7B	Glass Door Threshold Anchor (Right side)	1pc	15	Magnetic Gasket	1pc

INSTALLATION INSTRUCTIONS



MEASUREMENT

Dimensions:

MODEL	HEIGHT (A)	APPROX. ENTRY OPENING (B)	WALL OPENING (C)
APEX-2872**	72"	21 5/8"	26 7/16" - 28"
APEX-3072**	72"	23 11/16"	28 7/16" - 30"
APEX-3272**	72"	25 11/16"	30 7/16" - 32"
APEX-3472**	72"	27 11/16"	32 7/16" - 34"
APEX-3672**	72"	29 5/8"	34 7/16" - 36"

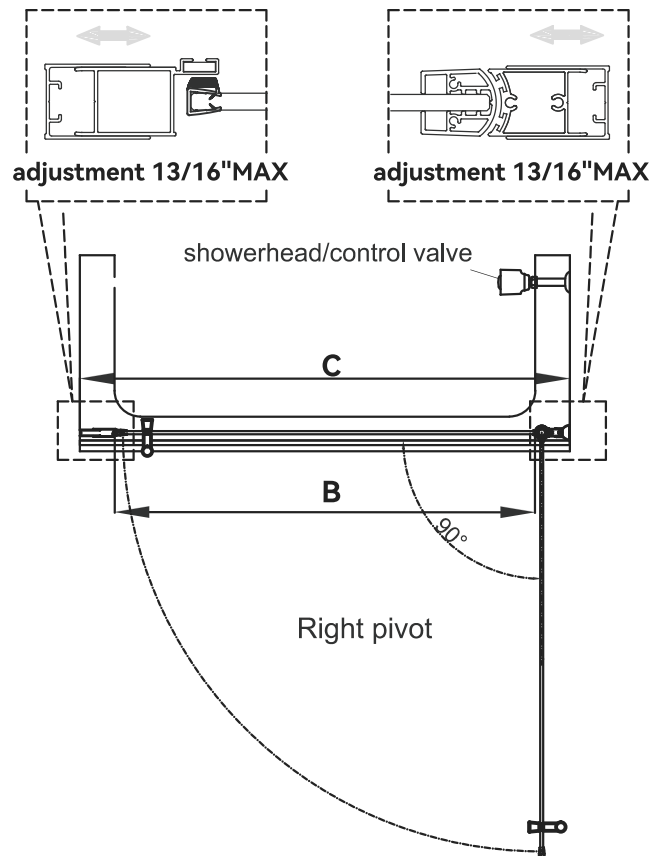
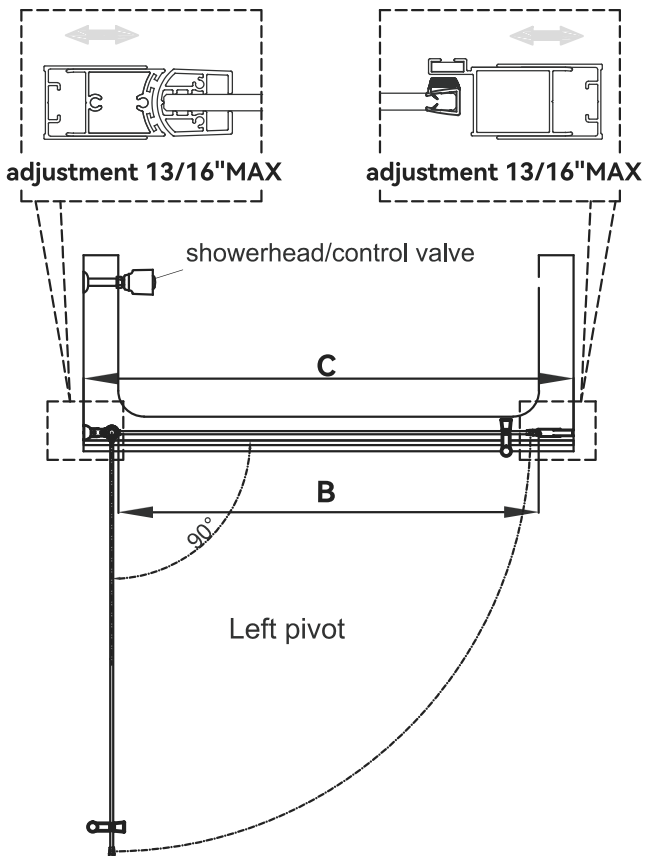
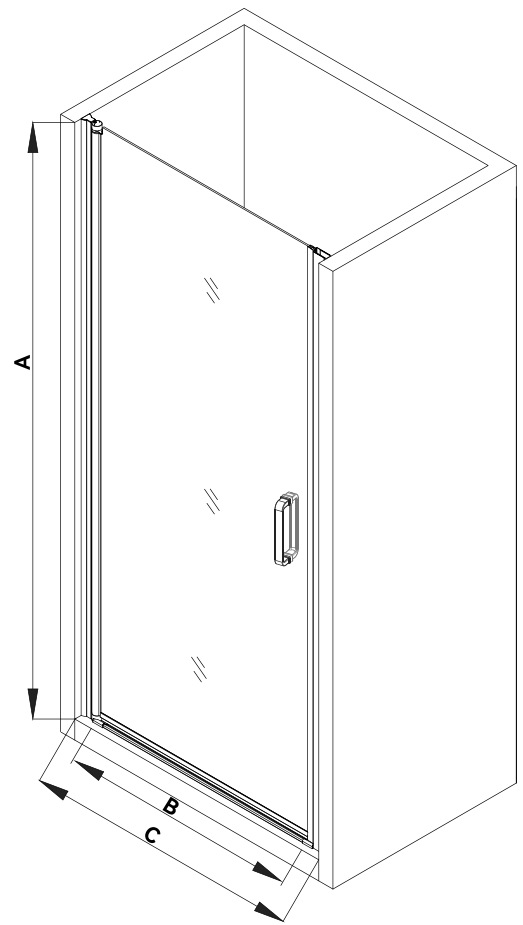
**Finishes

CH-Chrome

BN-Brushed Nickel

BG-Brushed Gold

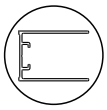
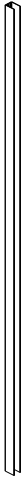
MB-Matte Black



INSTALLATION INSTRUCTIONS

01

Hardware Used



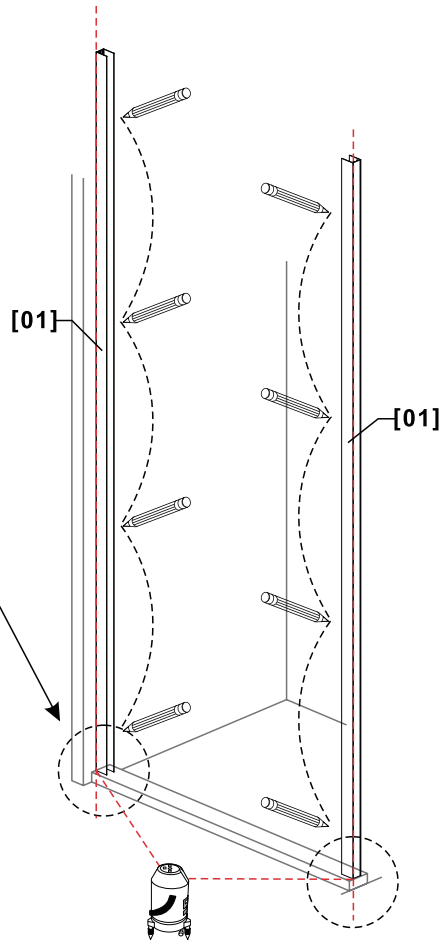
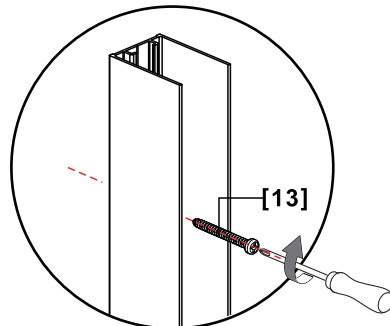
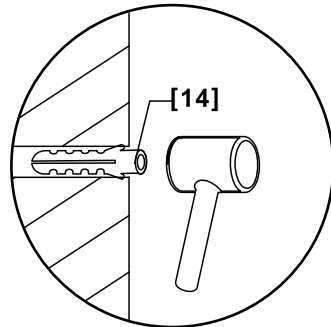
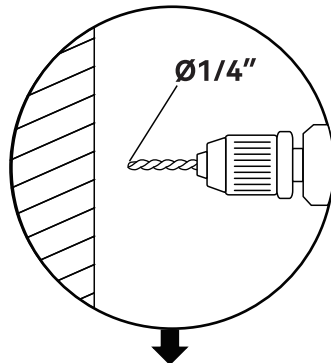
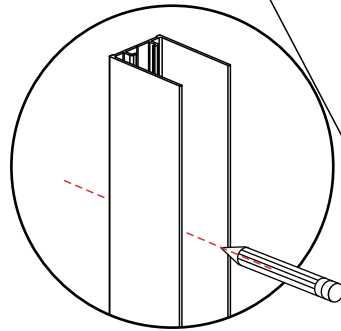
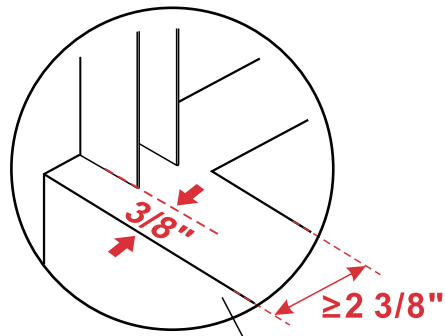
[01] x2



[13] x8 (ST4x35)



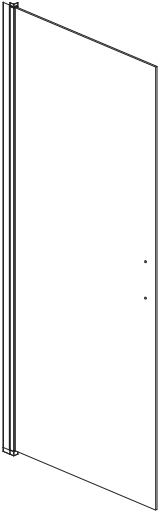
[14] x8



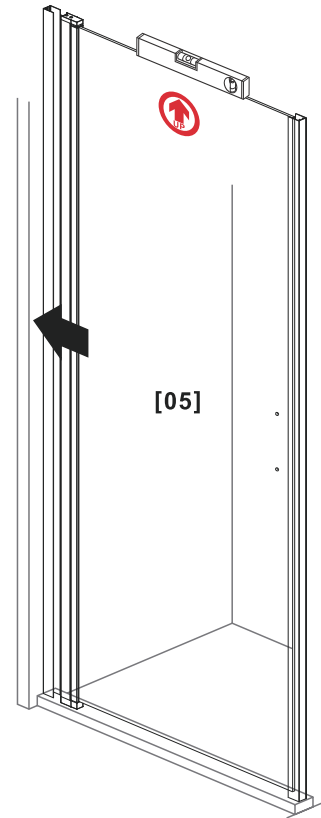
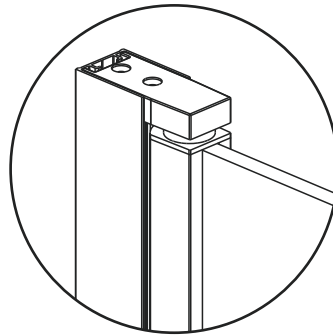
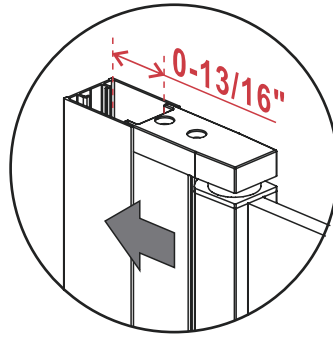
INSTALLATION INSTRUCTIONS

02

Hardware Used

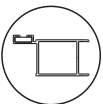


[05] x1

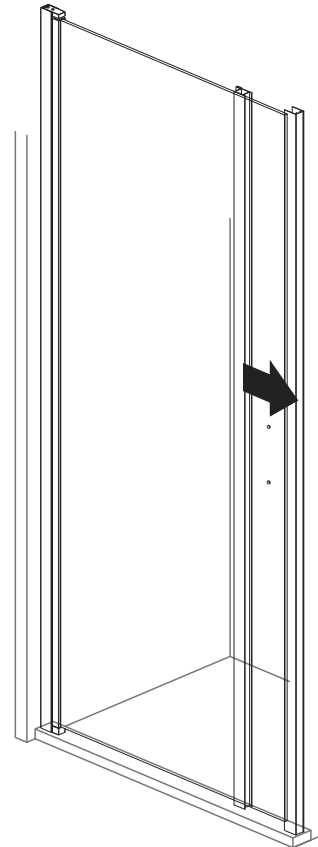
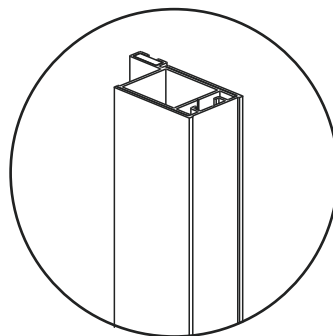
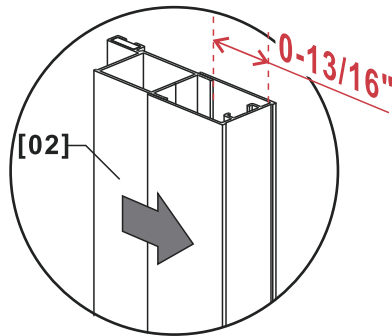


03

Hardware Used



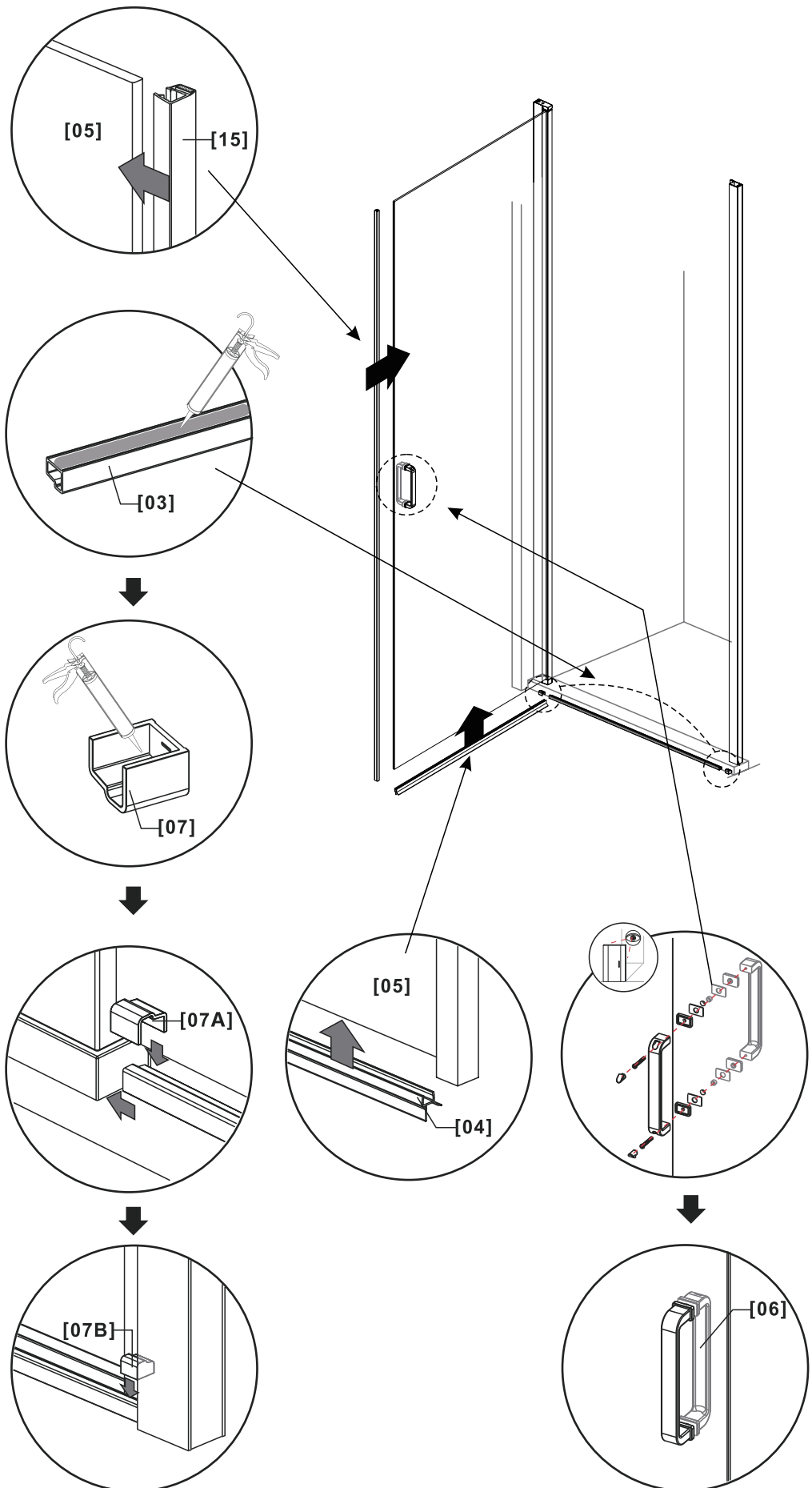
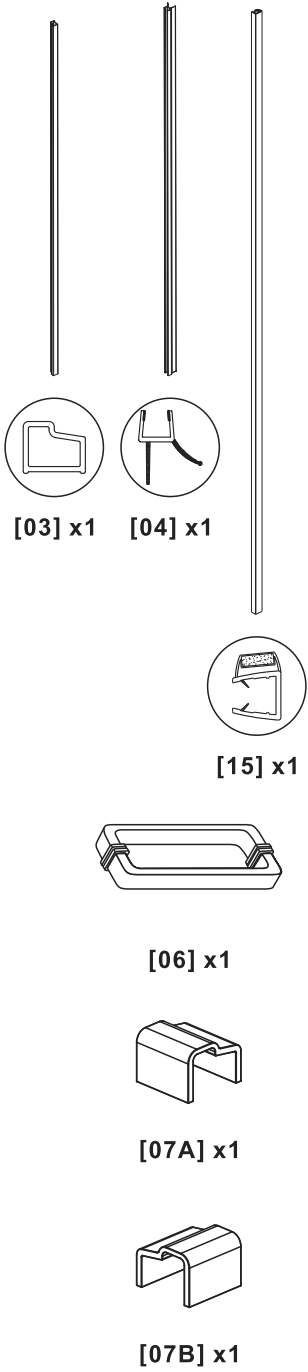
[02] x1



INSTALLATION INSTRUCTIONS

04

Hardware Used



INSTALLATION INSTRUCTIONS

05

Hardware Used



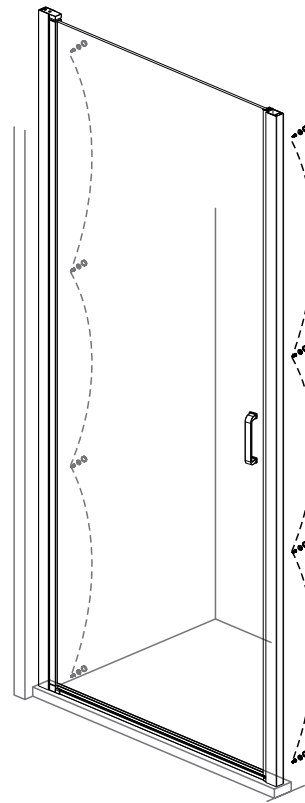
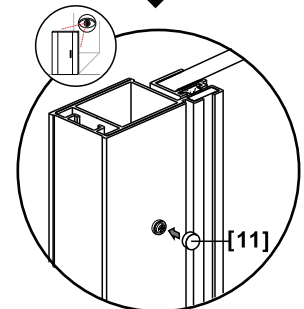
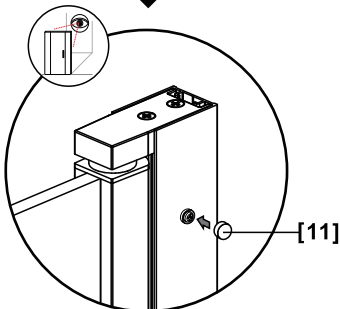
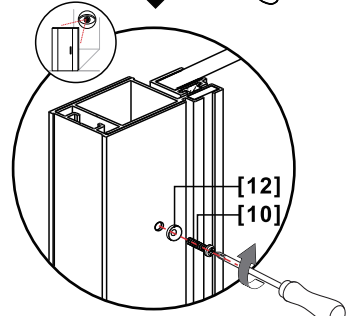
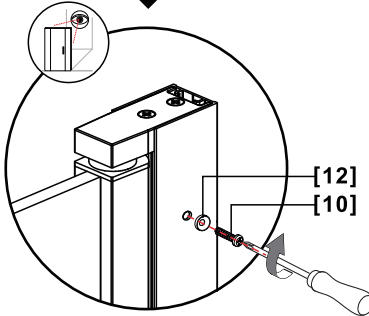
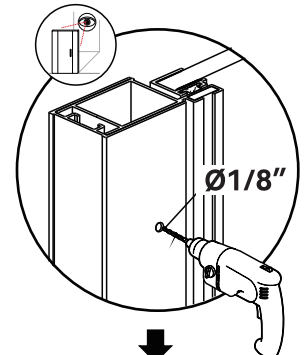
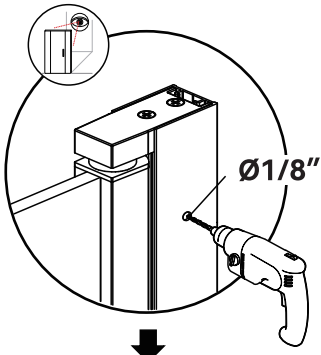
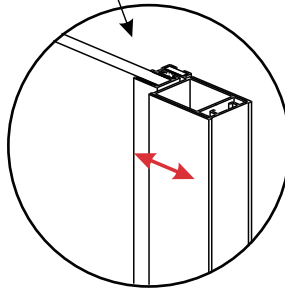
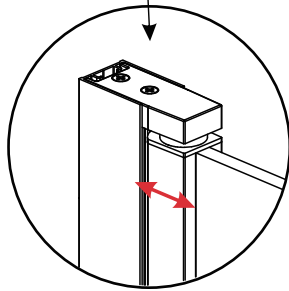
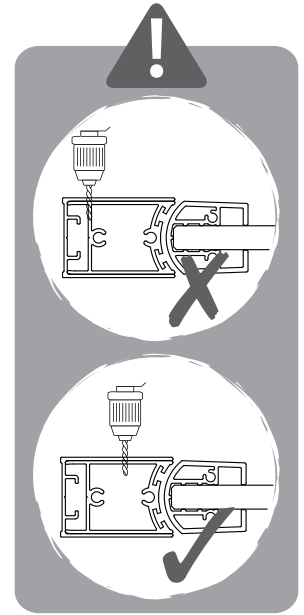
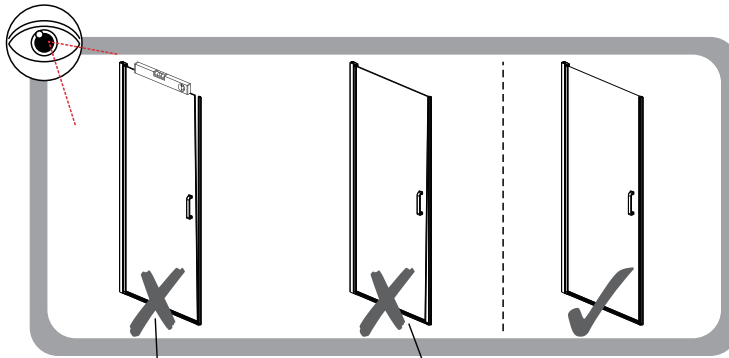
[10] x8 (ST4x10)



[11] x8



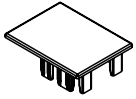
[12] x8



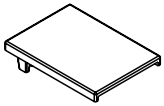
INSTALLATION INSTRUCTIONS

06

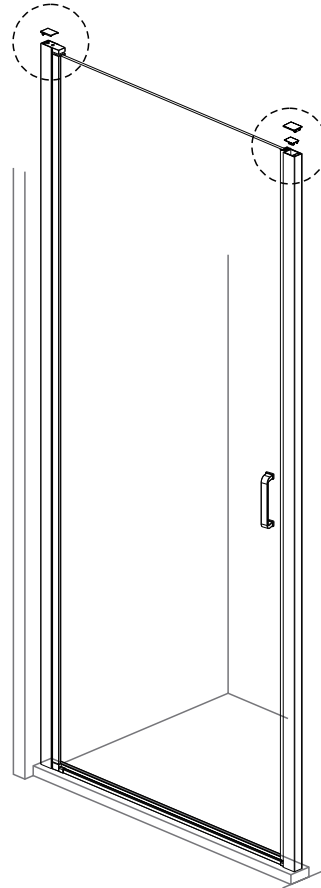
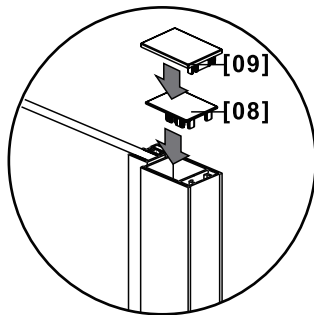
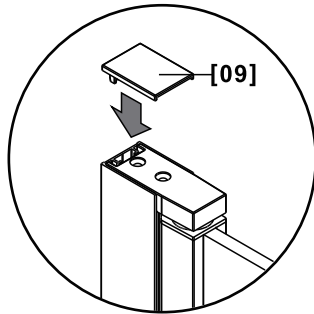
Hardware Used



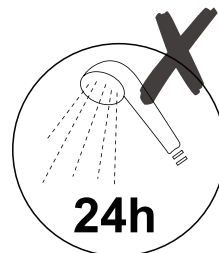
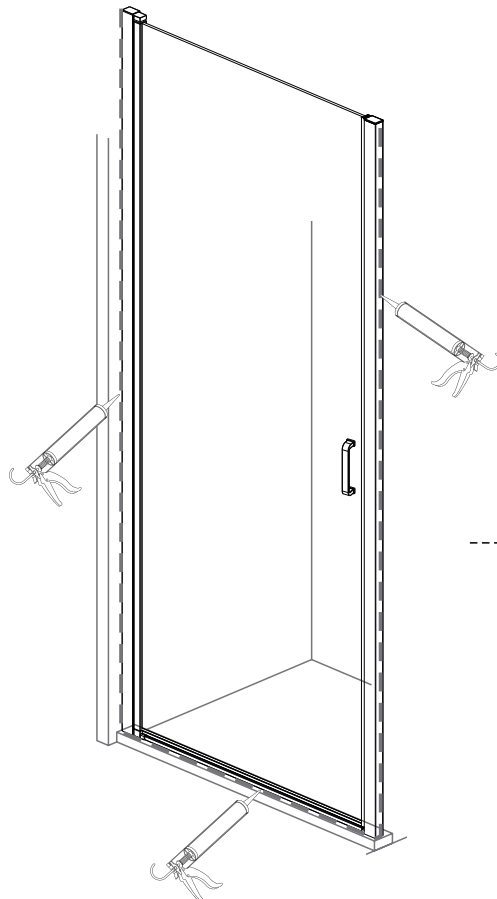
[08] x1



[09] x2



07



24h

