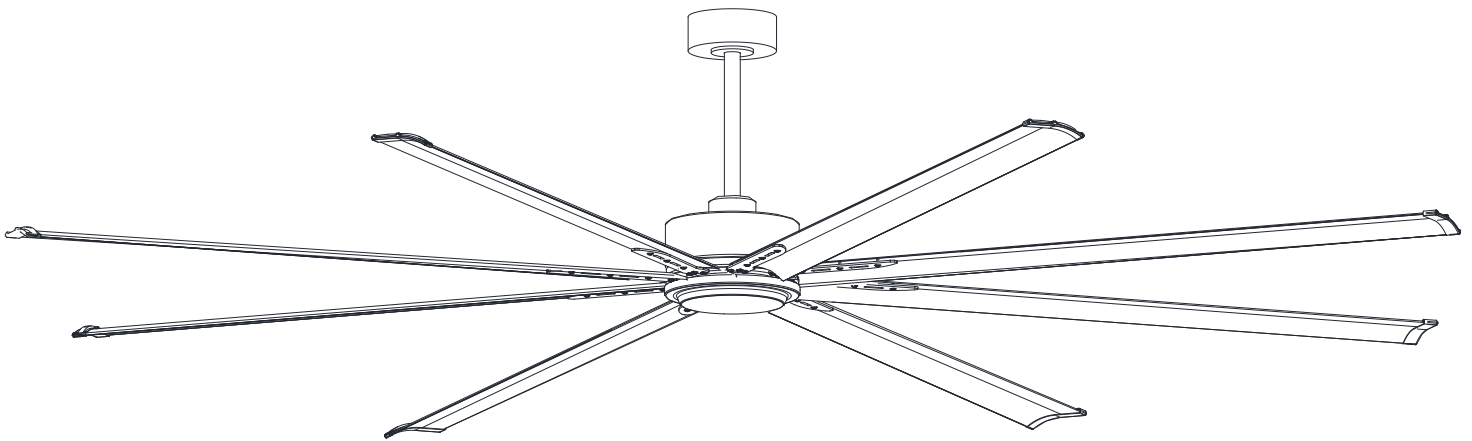


# INSTALLATION & USER MANUAL

## CEILING FAN WITHOUT LIGHT



**WARNING:** In order to avoid the risk of dropping, this product is only installed on concrete ceiling or strong wood, Not allowed to install in outlet box!

ITEM# 29027

Customer Service: [support@ceilingfanhelp.com](mailto:support@ceilingfanhelp.com)

## **Warm Reminder:**

For safety considerations due to the large size of the fan, the startup process may be slightly slower. It typically takes around 8 seconds for the fan to start.

Hardware  
Package

Downrod

Mounting  
Bracket &  
Canopy

Blade  
Bracket

Remote  
Control

Yoke &  
Canopy  
Cover

Motor  
Assembly

Blade

Downrod

Blade

Housing Cover



# Table of Contents

Table of Contents.....	3	Exploded View.....	5
Safety Information.....	3	Installation Instructions.....	6-14
Dimension Reference.....	4	Troubleshooting Guide.....	15
Hardware Included.....	4		
Fan Parts Included.....	4		

## Safety Information

### READ AND SAVE THESE INSTRUCTIONS.

1. To reduce the risk of electric shock, ensure electricity has been turned off at the circuit breaker or fuse box before you begin.
2. All wiring must be in accordance with the National Electrical Code “ANSI/NFPA 70” and local electrical codes. Electrical installation should be performed by a qualified licensed electrician.
3. The outlet box and support structure must be securely mounted and capable of reliably supporting a minimum of 35 lbs (15.9 kg). Use only UL Listed outlet boxes marked “Acceptable for Fan Support of 35 lbs. (15.9 kg) or less.”
4. Do not place objects in the path of the blades.
5. To clean the fixture, turn off the power, wait for it to cool, and wipe the fixture with a clean, soft cloth.
6. After making electrical connections, spliced conductors should be turned upward and pushed carefully up into the outlet box. The wires should be spread apart with the grounded conductor and the equipment-grounding conductor on one side of the outlet box and ungrounded conductor on the other side of the outlet box.
7. All setscrews must be checked and retightened where necessary before installation.



**WARNING:** To reduce the risk of electrical shock or fire, do not use this fan with any solid-state fan speed control device. It will permanently damage the electronic circuitry.



**WARNING:** To reduce the risk of personal injury, do not bend the blade brackets when installing the brackets or balancing the blades balancing the blades, or cleaning the fan. Do not insert



**WARNING:** To reduce the risk of fire, electric shock or personal injury, mount to outlet box marked “acceptable for fan support of 35 lbs. (15.9 Kg) or less” and use screws provided with the outlet box.



**WARNING:** To avoid possible electrical shock, turn the electricity off at the main fuse box before wiring.



**WARNING:** To reduce the risk of electrical shock, this must be installed with an isolating wall control / switch.



**CAUTION:** To reduce the risk of personal injury, use only the screws provided with the outlet box.



**CAUTION:** Please use carefully when working around or cleaning the fan to avoid injury or damage of fan.

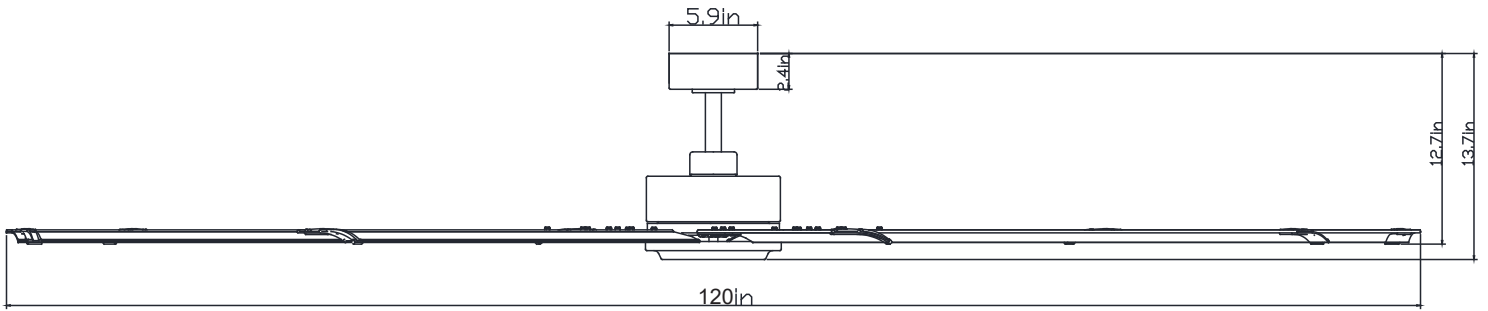


**CAUTION:** The fan must be mounted with a minimum of 10 ft (3.05 m) clearance from the trailing edge of the blades to the floor.















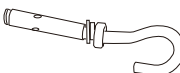


**CAUTION:** Changes or modifications not expressly approved by the party responsible for compliance could void the user’s authority to operate the equipment.


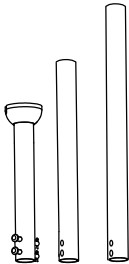
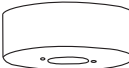


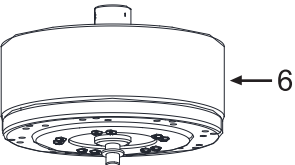


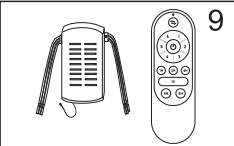

## Dimension Reference



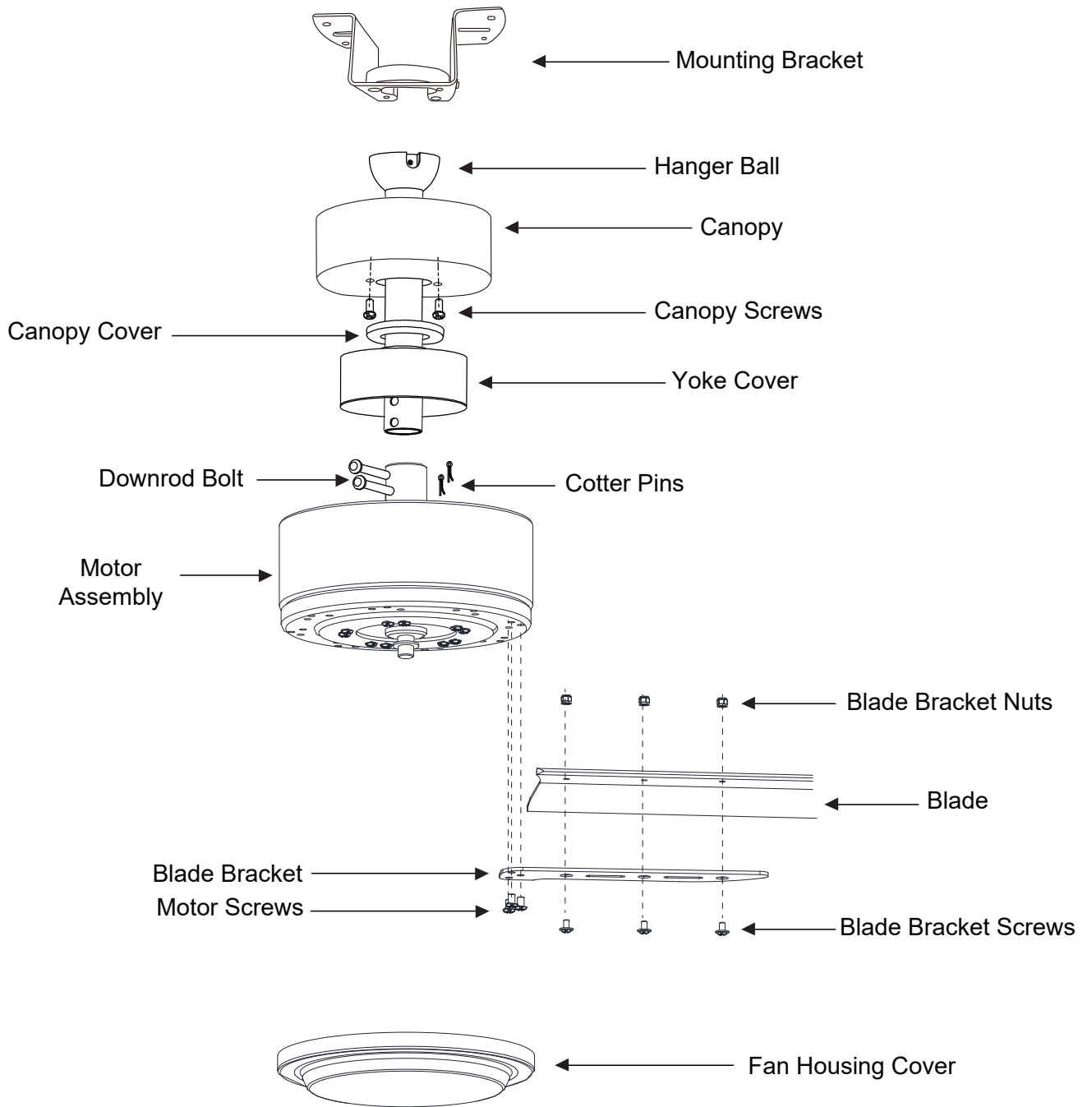
## Hardware Included

		Hardware Package		Quantity
	S1		S8	2
	S2		S9	2
	S3		S10	4
	S4		S11	7
	S5		S12	1
	S6		S13	4
	S7		S14	4
			S15	1

## Fan Parts Included

		Item name	Quantity
	← 1	1. Mounting Bracket	1
	← 2	2. Downrod	3
	← 3	3. Canopy	1
	← 4	4. Canopy Cover	1
	← 5	5. Yoke Cover	1
	← 6	6. Motor Assembly	1
	← 7	7. Blade Bracket	8
	← 8	8. Housing Cover	1
	← 9	9. Remote Control (Batteries not included)	1
	← 10	10. Blade	8

# Exploded View

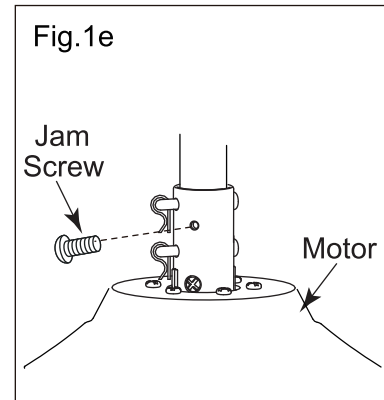
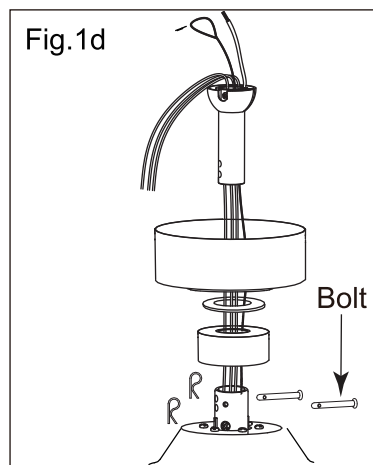
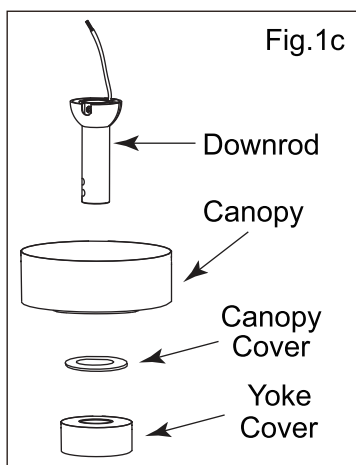
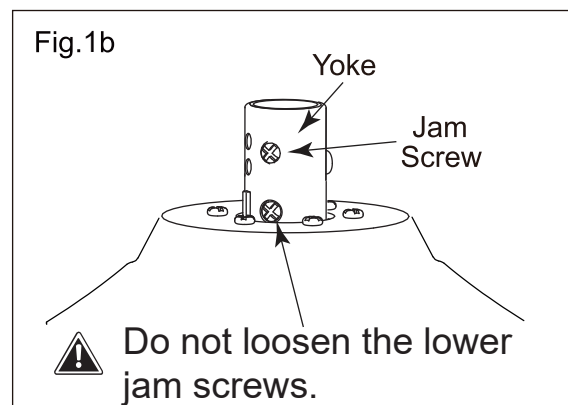
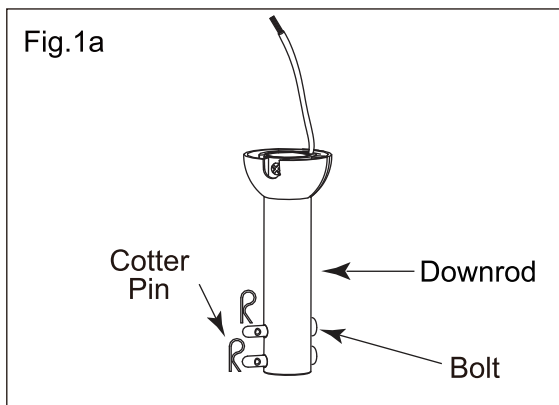


# Installation Instructions

## Step1 MOUNTING

- Take out fan motor housing.
- Remove cotter pins and bolts from downrod.
- Loosen jam screw in yoke until it is flush with the inside surface.
- Take out downrod, canopy and yoke cover.
- Place downrod inside canopy and yoke cover.
- Route wires exiting motor through yoke cover, canopy and downrod.
- Insert bolt through hole in shaft and downrod. Be careful not to damage or cut the fan wires.
- Tighten bolt. Secure with cotter pin through hole in the end of the bolt.
- Secure downrod in position by tightening jam screws. Slide yoke cover down and it will flush with the motor housing.

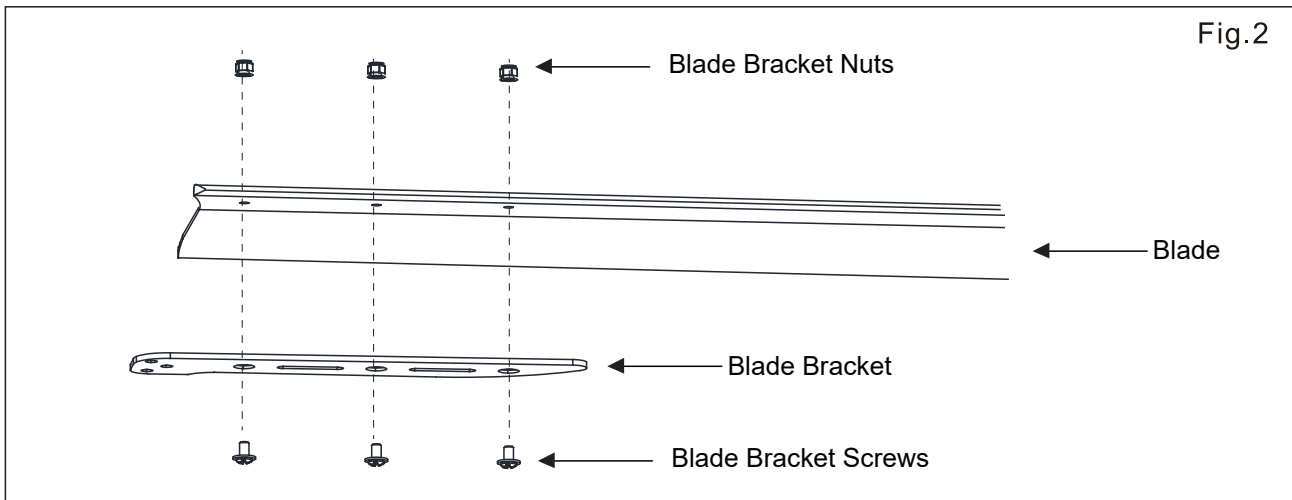
**CAUTION:** To ensure wobble-free operation and to avoid damage to the fan, the downrod and the set screws must be completely tightened.



# Installation Instructions

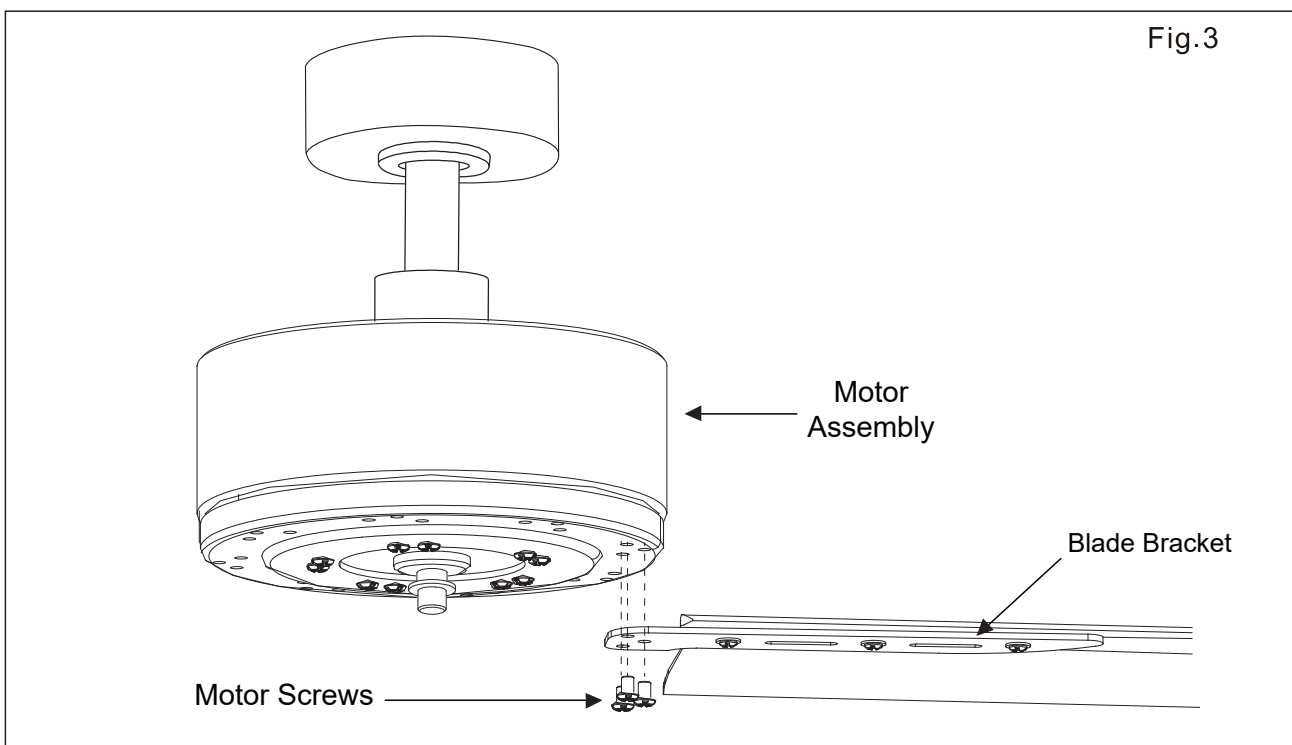
## Step2 MOUNTING BLADE BRACKETS TO BLADES

- Place blade screw through fiber washer and blade.
- Align with corresponding hole in blade bracket.
- Repeat with (2) remaining screws and tighten.



## Step3 MOUNTING BLADES TO MOTOR

- Insert the blade arm into the fan as shown.
- Tighten the blade arm to motor with the screw and lock washer as shown.
- Slightly turn the blade after installation and repeat the same step for the other blades.

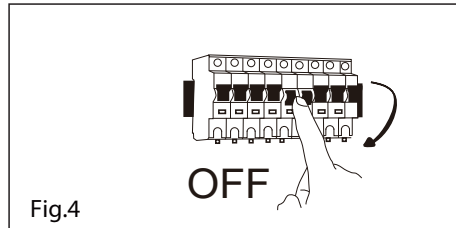
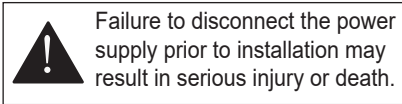


# Installation Instructions

## Step4 INSTALL MOUNTING BRACKET

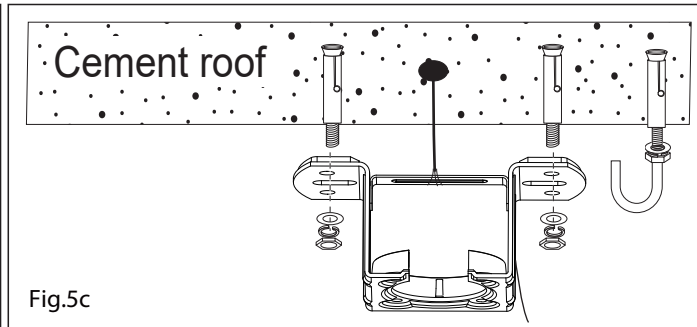
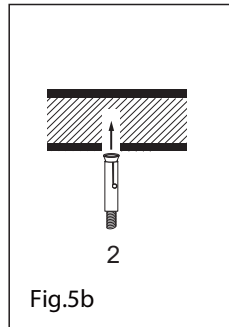
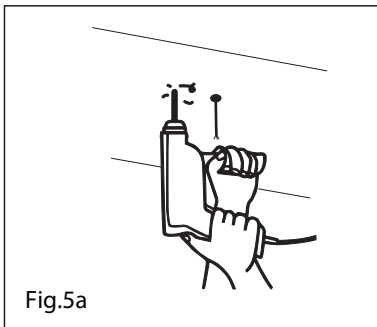
**WARNING:** To reduce the risk of fire, electric shock, or personal injury, mount to UL/CSA listed outlet box marked acceptable for fan support and use mounting screws provided with the outlet box.

- Turn off the fan power supply at the circuit breaker box and the wall switch.

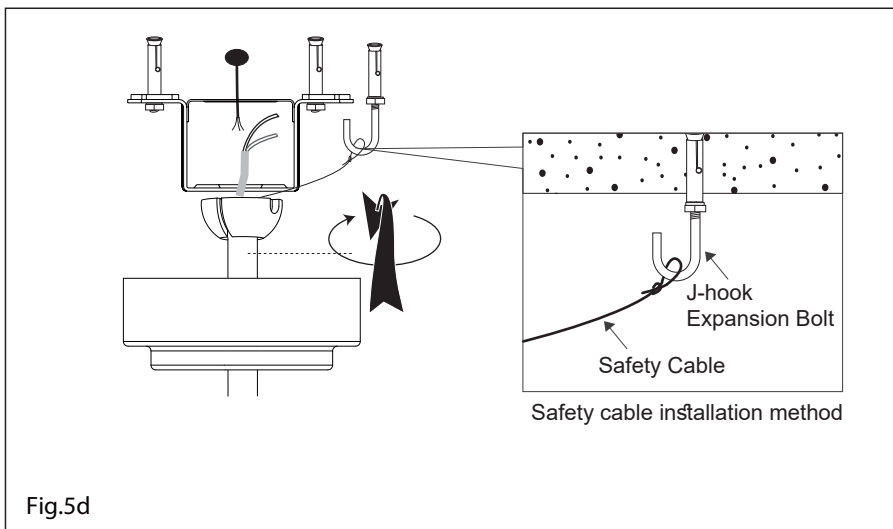


- Choose the following installation methods according to the actual situation of the roof.

### - Method 1: Concrete ceiling



- Snap the basically assembled fan into the installed Bracket.



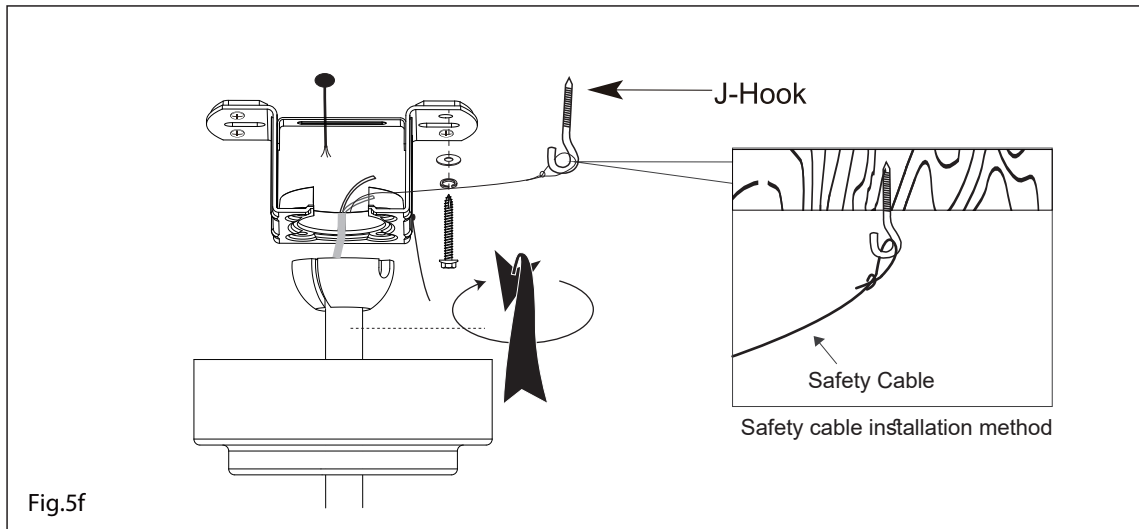
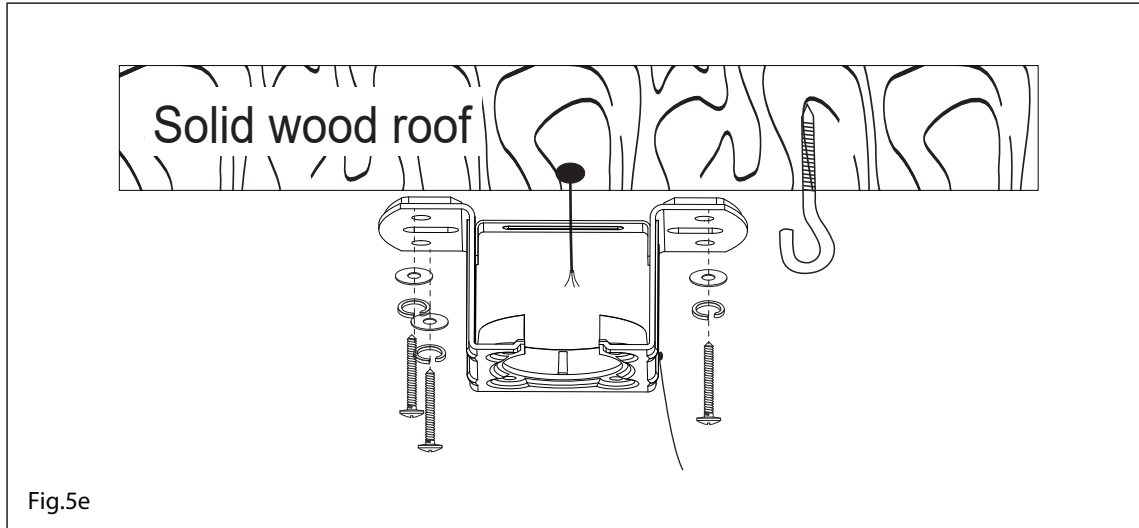
# Installation Instructions

## - Method 2 : Solid wood roof

Snap the basically assembled fan into the installed Bracket.

Install J-Hook to the wood joist.

Hang the safety cable onto the J-hook.



# Installation Instructions

## Step5 ELECTRICAL HOOK-UP

A. Make the following wire connections using the wire nuts supplied.

a. To the household supply wires

-Connect the following 4 GREEN wires to the GREEN supply wire.

1. GREEN wire from the downrod
2. GREEN wire from the receiver
3. GREEN wire from the mounting bracket

- Connect BLACK receiver wire to BLACK supply wire.

- Connect WHITE receiver wire to WHITE supply wire.

b. To the fan wires

- Connect ORANGE receiver wire to the ORANGE wire from motor.

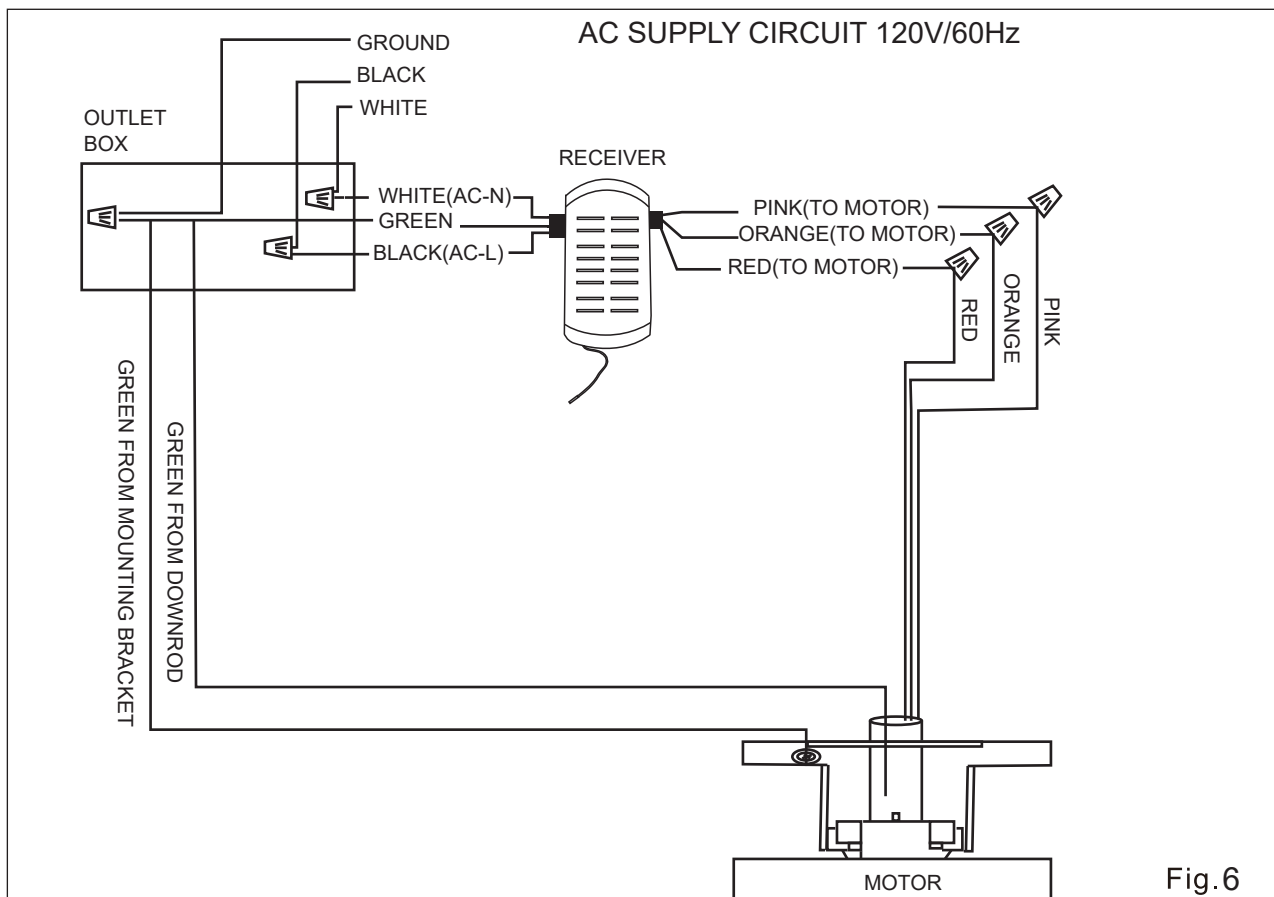
- Connect PINK receiver wire to the PINK wire from motor.

- Connect RED receiver wire to the RED wire from motor.

- After making the wire connections, ensure the wires should be spread apart with the grounded conductor and the equipment-grounding conductor on one side of the outlet box and the ungrounded conductor on the other side of the outlet box.

- Ensure the splices after being made should be turned upward and pushed carefully up into the outlet box.

- Make sure no bare wire is visible at the wire nuts.



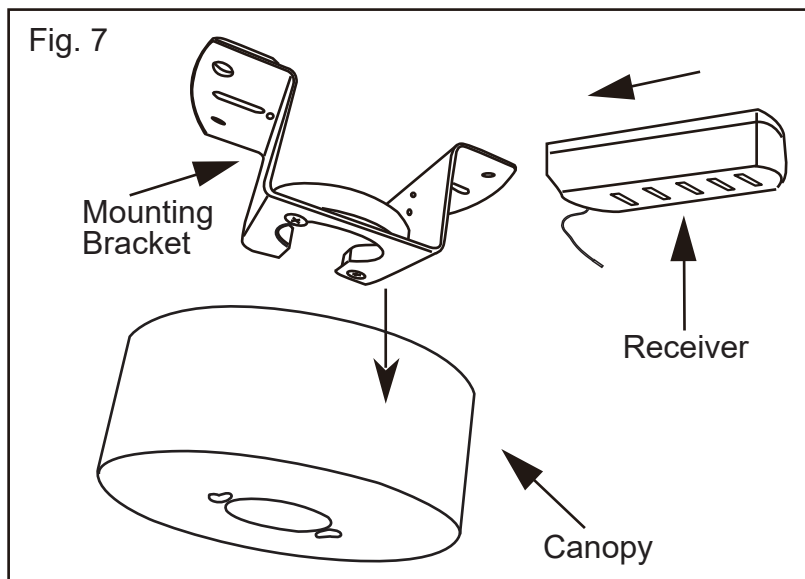
# Installation Instructions

## Step5 ELECTRICAL HOOK-UP

**NOTE:** Once ground wires are connected, carefully tuck all wires and wire nuts into the metal box making sure that the wires are clear of the hemisphere and downrod when positioned in hemisphere and downrod when positioned in mounting bracket.

B. Push all connected wires up into ceiling box.

- Position the receiver into the mounting bracket as shown direction.
- When installing the canopy, ensure the antenna is not pressed by the canopy.
- Make sure to connect all ground wires.



# Installation Instructions

## C.FUNCTION INSTRUCTION OF EMITTER

Learning code and matching mode is use

- Open battery cover on the hand-held remote and install battery, (1.5V) that are not included.

If the emitter can not control the fan, learning code matching mode is used between emitter and receiver.

Turn "ON" the supply power within 10 seconds and press the emitter's "⏻" button for 5 seconds, it can load normally after hearing a long sound "beep", which means learning successfully and it can works normally.

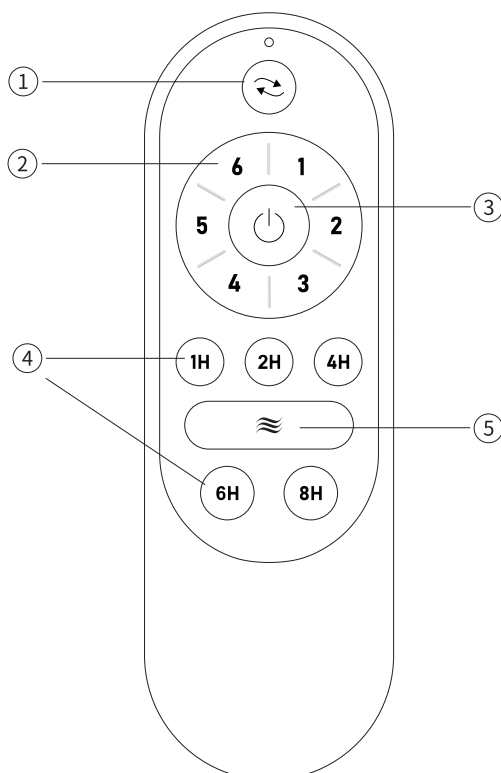
When the emitter cannot control the receiver, please check the battery switch touching normally or not, correction of the positive and negative, full or empty of the power.

When the emitter cannot control the receiver, please check is there any existence of similar remote controlled products nearby, then check whether they works, because remote controlled product with the same frequency will disturb each other.

Please take out the battery from the emitter when leaving unused for long time.

When installing the fan, the fan ceiling cover don't press the antenna(or other wire),it is easy to breakdown the wire and short-circuited.

- ① Direction of the fan(Reverse switch)
- ② Speed of the fan(1 Low speed~6 high speed)
- ③ Fan ON/OFF
- ④ Timer function (1H / 2H / 4H / 6H / 8H)
- ⑤ Natural breeze mode



## Installation Instructions

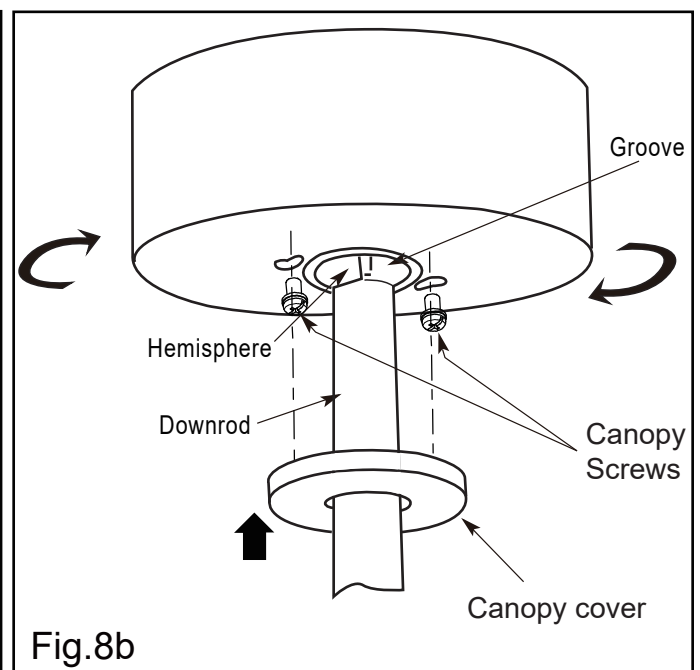
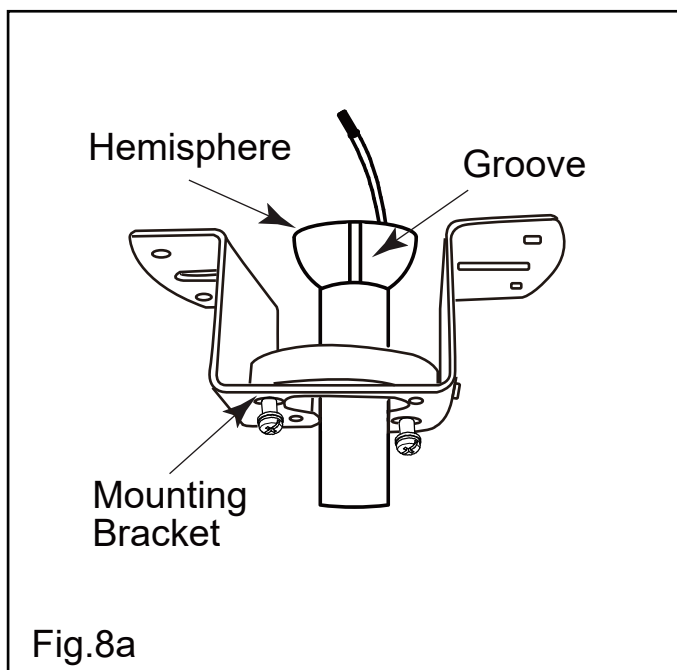
### Step6 MOUNTING FAN ASSEMBLY

- Place two screws and washers on mounting bracket which correspond with slots in canopy. Screw in two turns.

### Step7 ENGAGE HEMISPHERE

- Carefully rotate fan assembly until groove in hemisphere locks over tab of canopy assembly.
- Loosen (do not remove) the two screws on mounting bracket. Slide the canopy up to mounting bracket and place the key hole on the canopy over the screw on the mounting bracket, turn canopy until it locks in place at the narrow section of the key holes.
- Align the holes on the canopy with mounting bracket and secure with the two set of screws until snug.

**WARNING:** Failure to seat tab in groove could cause damage to electrical wires and possible shock or fire hazard.



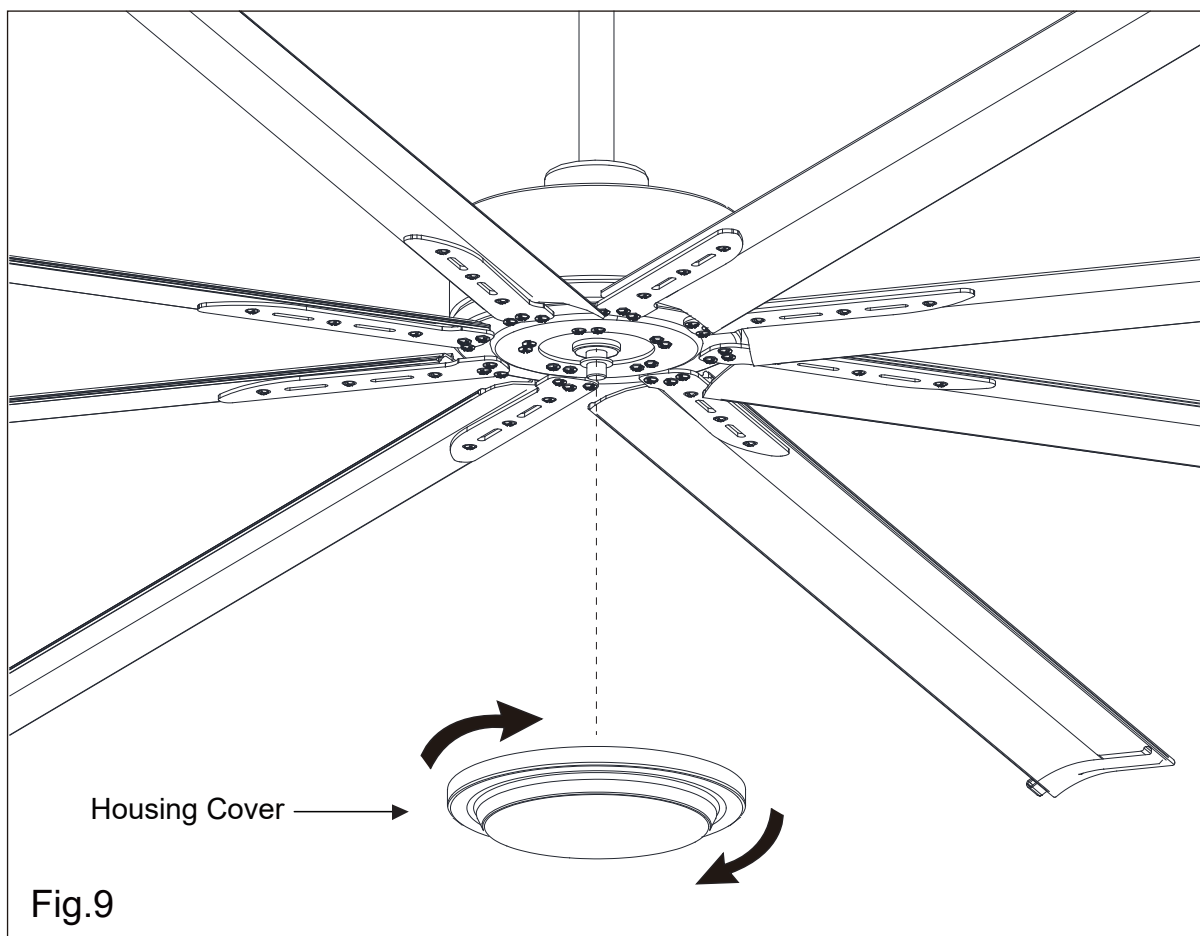
**NOTE:** When installing fan on sloped ceiling, make sure tab on hanger bracket faces towards the top of the slope. Depending on the slope, a longer downrod may be required to prevent fan blades from hitting the ceiling.

# Installation Instructions

## Step8 HOUSING COVER

**WARNING: BE SURE TO TURN OFF POWER BEFORE INSTALLING.**

- Place housing cover onto the fan and turn to secure.



# Troubleshooting Guide

If you have difficulty operating your new ceiling fan it may be the result of incorrect assembly, installation, or wiring. In some cases these installation errors may be mistaken for defects. If you experience faults please check this troubleshooting guide.

	Problem	Suggested Remedy
1	If fan does not work.	<ul style="list-style-type: none"> <li><input type="checkbox"/> Check the main and branch circuit fuses or breakers.</li> <li><input type="checkbox"/> Check the line wire connections to the fan and switch wire connections in the switch housing.</li> <li><input type="checkbox"/> Check the battery in the remote control.</li> <li><input type="checkbox"/> Ensure you are in the normal range of 10-20 feet.</li> </ul>
2	If fan sounds noisy.	<ul style="list-style-type: none"> <li><input type="checkbox"/> Ensure all motor housing screws are snug.</li> <li><input type="checkbox"/> Ensure the screws that attach the fan blade bracket to the motor hub are tight.</li> <li><input type="checkbox"/> Ensure the wire nut connections are not rattling against each other or the interior wall of the switch housing.</li> <li><input type="checkbox"/> Observe whether the noise decreases after the fan has been running for 24 hours. Newly installed fans may have noise issues.</li> <li><input type="checkbox"/> If you are using the Ceiling Fan light kit, ensure the screws securing the glassware are tight. Check that the light bulbs are also secure.</li> <li><input type="checkbox"/> Ensure the canopy is a short distance from the ceiling. It should not touch the ceiling.</li> <li><input type="checkbox"/> Ensure your outlet box is a secure and rubber isolation pads were used between the mounting plate and outlet box.</li> </ul>
3	If fan wobbles.	<ul style="list-style-type: none"> <li><input type="checkbox"/> Check that all blades are screwed firmly into blade holders.</li> <li><input type="checkbox"/> Check that all blade holders are tightened securely to motor.</li> <li><input type="checkbox"/> Make sure that canopy and mounting bracket are tightened securely to ceiling junction box and junction box is mounted firmly to ceiling joist.</li> <li><input type="checkbox"/> Most fan wobble problems are caused when blade levels are unequal. Check this level by selecting a point on the ceiling above the tip of one of the blades keeping measure within 1/8 in. Rotate the fan until the next blade is positioned for measurement. Repeat for each blade. If all blade levels are not equal you can adjust blade levels by the following procedure. To adjust a blade tip down insert a washer (not supplied) between the blade and blade holder at the screw closest to the motor. To adjust a blade tip up insert washer (not supplied) between the blade and blade holder at the two screws farthest from the motor.</li> <li><input type="checkbox"/> If blade wobble is still noticeable interchanging two adjacent (side by side) blades can redistribute the weight and possibly result in smoother operation.</li> </ul>
4	If light does not work.	<ul style="list-style-type: none"> <li><input type="checkbox"/> Check blue wire from fan to make sure it is connected to hot wire from the house.</li> <li><input type="checkbox"/> Check for loose or disconnected wires in fan switch housing.</li> <li><input type="checkbox"/> Check for loose or disconnected wires in light kit.</li> <li><input type="checkbox"/> Check for faulty light bulbs. CAUTION: Make sure main power is turned off before entering switch housing.</li> <li><input type="checkbox"/> If the fan light shuts off shortly after being switched on it may be due to excessive current demand. Turn off power to the fan and replace the light bulbs with lower wattage bulbs. Turn on power to the fan using the pull chain, wall switch, or remote control (whichever is installed on the particular fan).</li> </ul>