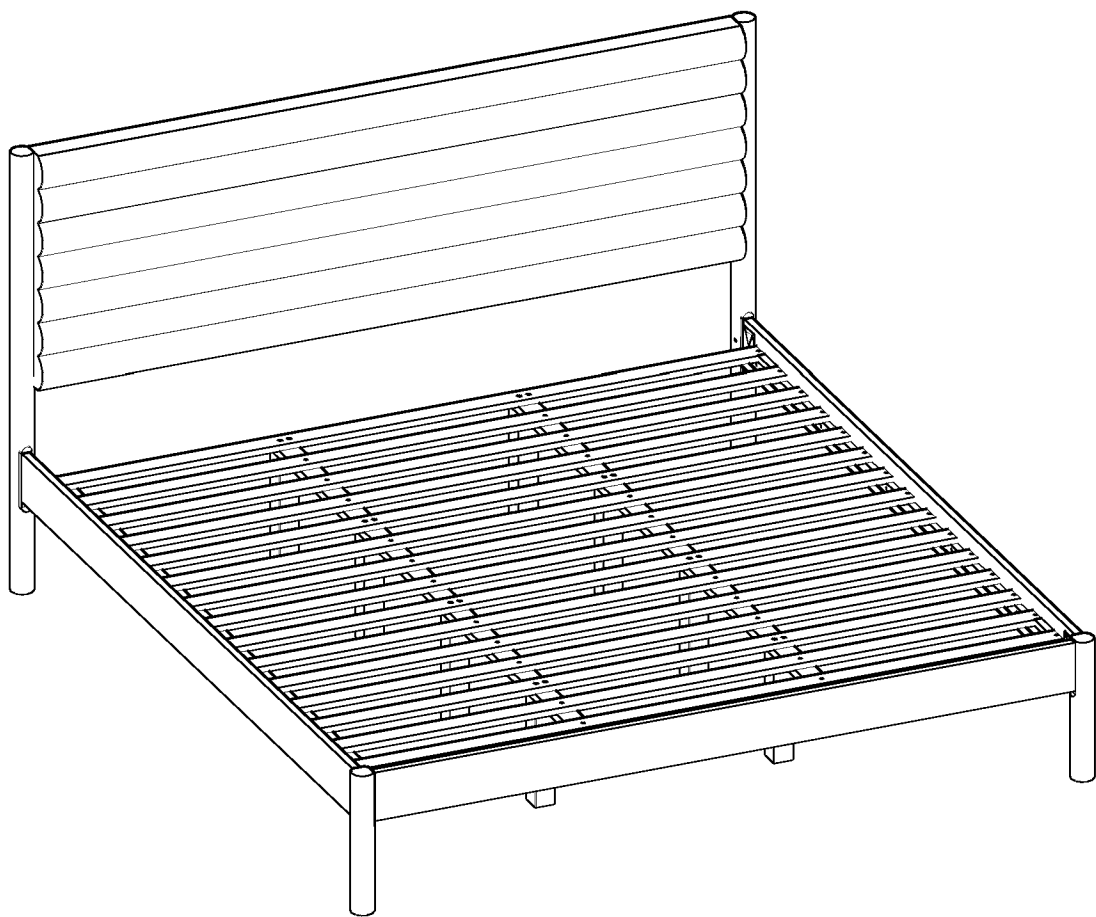


ASSEMBLY INSTRUCTIONS

MOD-7199

V0.05.05.24



Questions? Contact us!

609.256.9000 • cs@modway.com
www.modway.com

***modway**

Let's get started!

***modway**



Read through all of the instructions before starting



Care instructions are listed in the last step of this manual



Approx. 30 minutes assembly time



Make sure you have all parts and components before discarding any packing materials



2 people recommended for assembly

Only use hand tools to assemble this item. Do not use power tools. Do not tighten bolts or screws completely until all hardware is lined up and inserted into the holes.

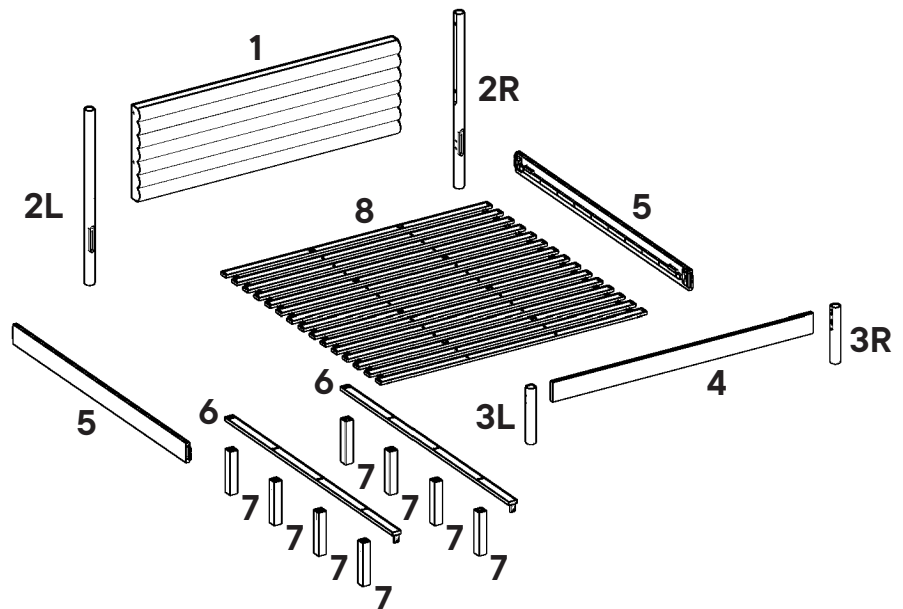
Do not over-tighten screws and bolts to avoid stripping the hardware or cracking the item.

Assemble your item on a flat, carpeted area, with plenty of space to work. This will prevent damage and scratches to your floors or the item while you're assembling the product.

Keep all components and packaging out of reach of children or animals to avoid risk of choking or suffocation.

Furniture components:

| | | |
|---|---------------------|-----|
| 1 | Headboard | x1 |
| 2 | Headboard Leg (L+R) | x2 |
| 3 | Footboard Leg (L+R) | x2 |
| 4 | Footboard | x1 |
| 5 | Side Rail | x2 |
| 6 | Center Rail | x2 |
| 7 | Center Support Leg | x8 |
| 8 | Slat | x15 |



this bed can accommodate the mattress up to 10" thickness only

What you need:














Box 1: Headboard/Footboard/leg/Side Rail/Center Rail/Slat and etc...

Wait!

Missing parts or hardware? Need assistance?

Contact us before returning your item. We're here to help!
609.256.9000 • cs@modway.com

Provided hardware:

| | | | |
|---|---|----------------------------------|-----|
| A |  | Allen Key M4 (Long Ball Head) | x1 |
| B |  | Allen Key M5 | x1 |
| C |  | JCBB Bolt M8 x 35mm | x4 |
| D |  | JCBC Bolt M6 x 50mm | x16 |
| E |  | JCBC Bolt M6 x 40mm | x4 |
| F |  | Wood Screw M3.5 x 16mm | x2 |
| G |  | Wood Screw M4 x 25mm | x52 |
| H |  | Wood Dowel M8 x 30mm | x4 |
| I |  | Spring Washer M6 | x4 |
| J |  | Spring Washer M8 | x4 |
| K |  | Flat Washer M8 | x4 |

What you need:

  Phillips Head Screwdriver
Phillips

Wait!

Missing parts or hardware? Need assistance?
Contact us before returning your item. We're here to help!
609.256.9000 • cs@modway.com

Step 1

HARDWARE

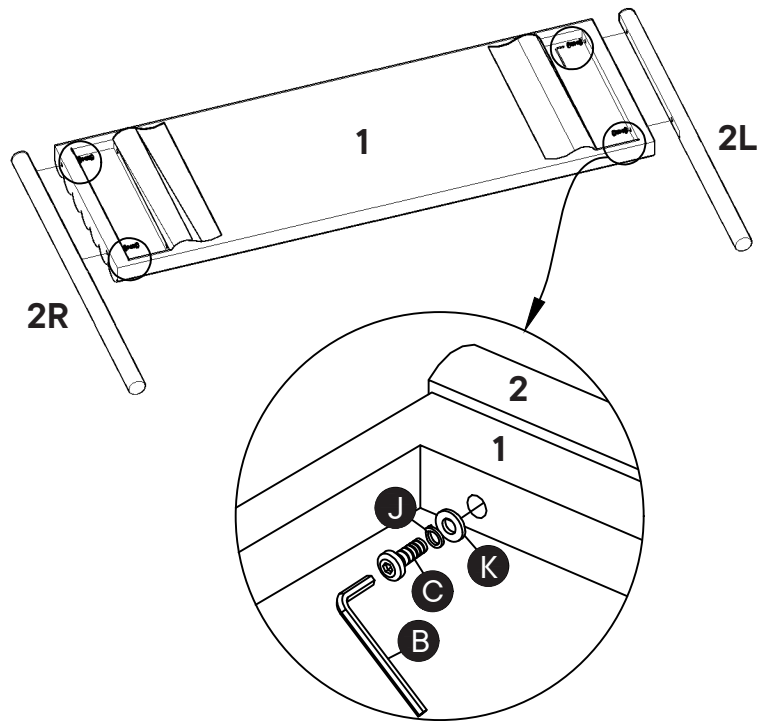
- C** JCBB M8 x 35mm x4
- J** Spring Washer M8 x4
- K** Flat Washer M8 x4

COMPONENTS

- 1** Headboard x1
- 2** Headboard Leg (L+R) x2

TOOLS

- B** Allen Key M5 x1



Step 2

HARDWARE

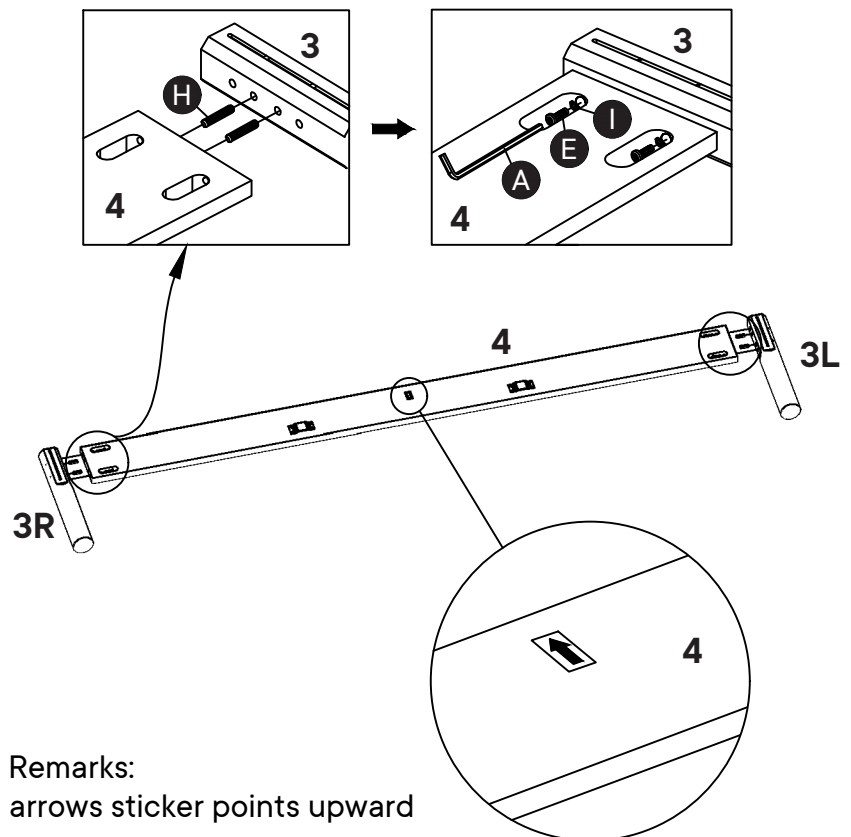
- E** JCBC M6 x 40mm x4
- I** Spring Washer M6 x4
- H** Wood Dowel M8 x 30mm x4

COMPONENTS

- 3** Footboard Leg (L+R) x2
- 4** Footboard x1

TOOLS

- A** Allen Key M4 (Long Ball Head) x1

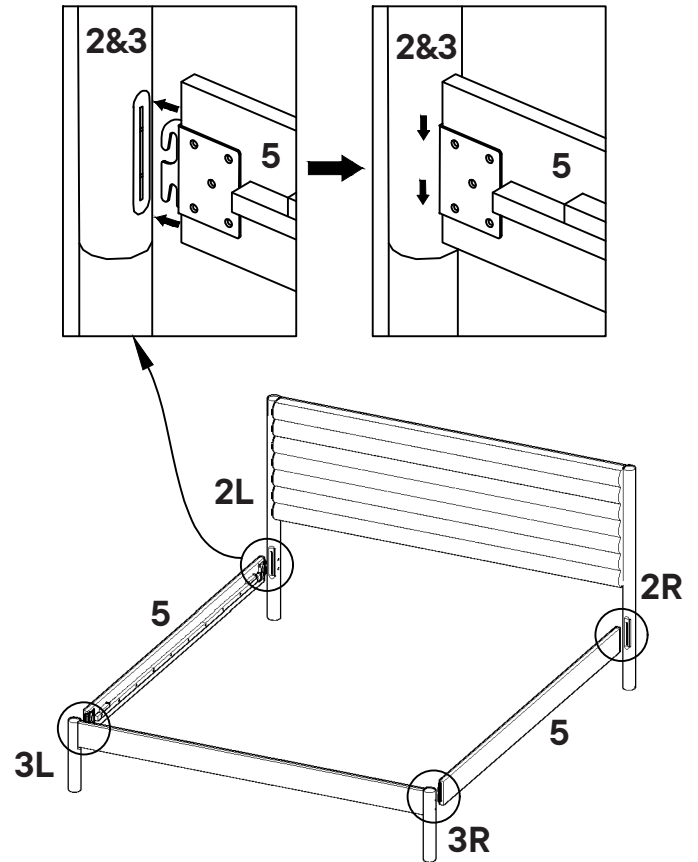


Remarks:
arrows sticker points upward

Step 3

COMPONENTS

- ② Headboard Leg(L+R) x2
- ③ Footboard Leg (L+R) x2
- ⑤ Side Rail x2



Step 4

HARDWARE

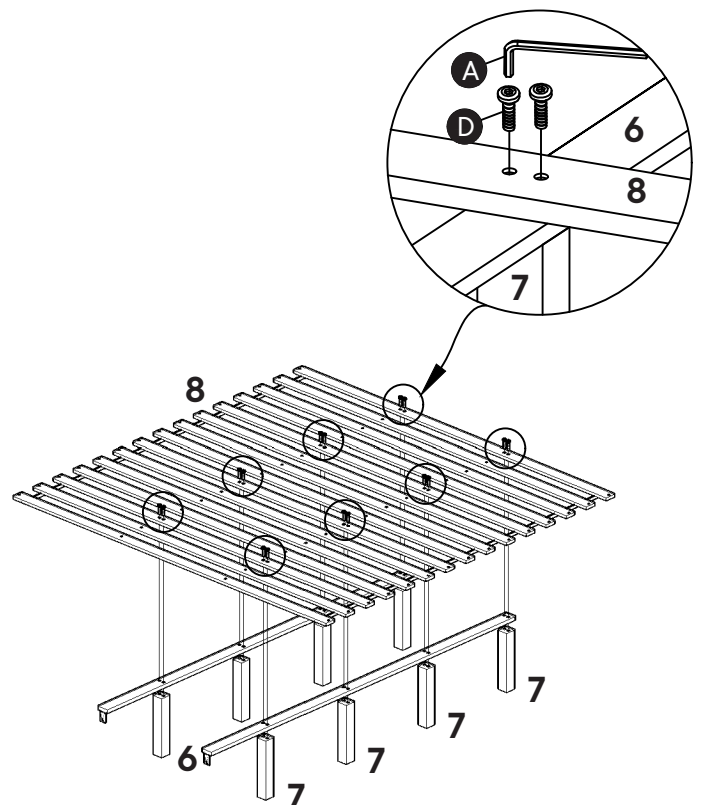
- Ⓓ JCBC M6 x 50mm x16

COMPONENTS

- ⑥ Center Rail x2
- ⑦ Center Support Leg x8
- ⑧ Slat x15

TOOLS

- Ⓐ Allen Key M4 (Long Ball Head) x1



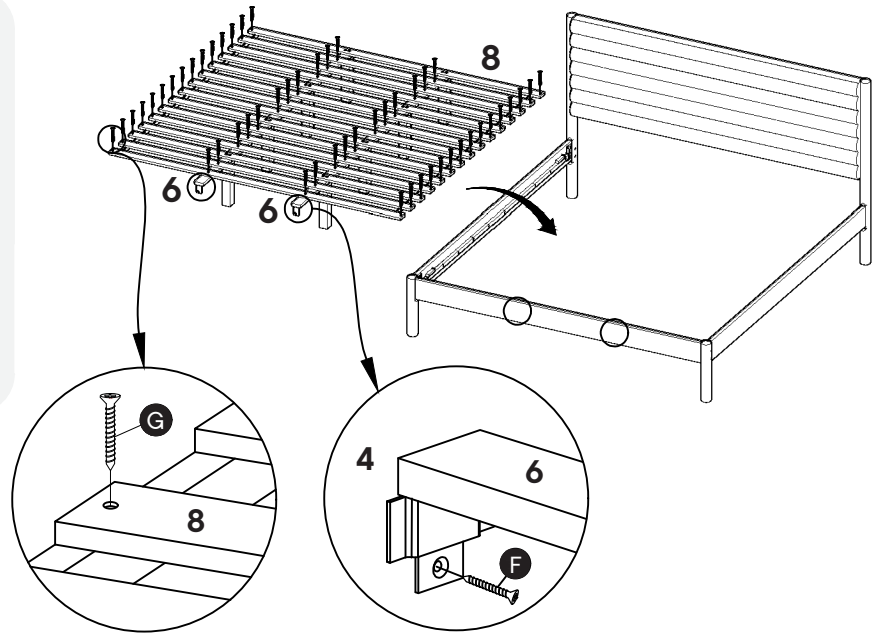
Step 5

HARDWARE

- F** Wood Screw M3.5 x 16mm x2
- G** Wood Screw M4 x 25mm x52

COMPONENTS

- 6** Center Rail x2
- 8** Slat x15



Great job!

Your new bed is complete.

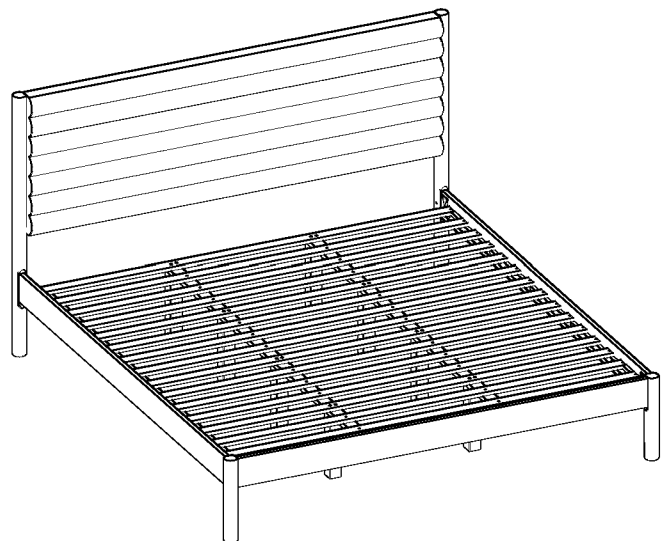
♥ CARING FOR YOUR ITEM

Indoor use only.

Not contract grade.

Clean using a non-abrasive cloth and a mild cleaner.

Never use harsh chemicals, as they could damage the finish or integrity of the item.



CONNECT WITH US!   

Tag us @modway_furniture and #modway for a chance to be featured.