

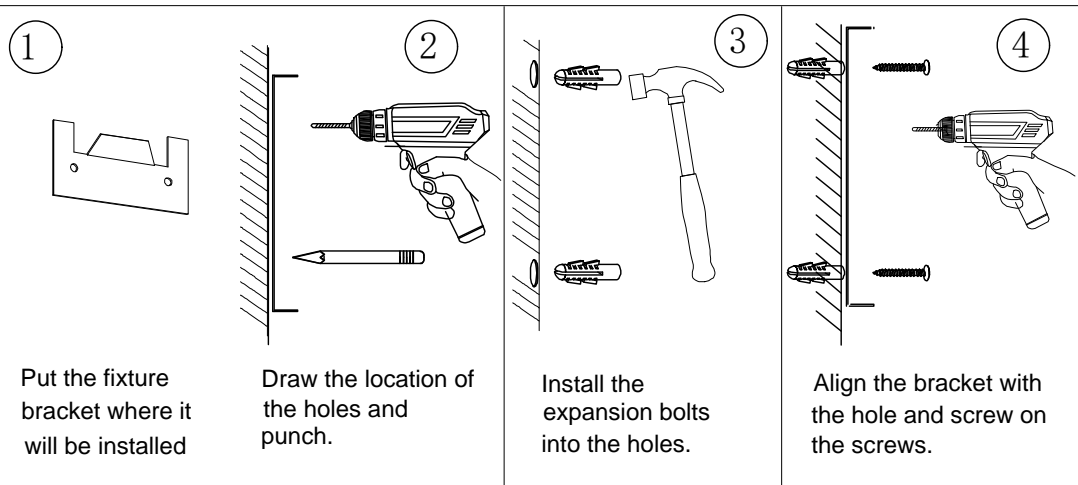
Safety Precautions

- Does not support regular bulbs.
- Battery operated wall sconce no need to hardwire or to plug the outlet, it can be positioned anywhere you like.

Parameter

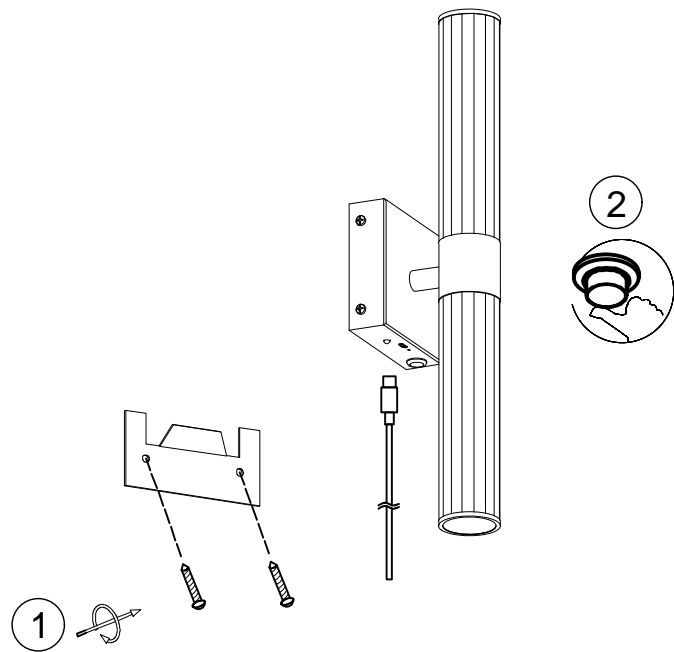
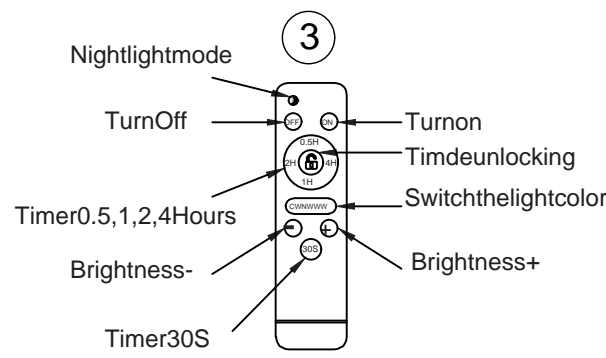
Input voltage: DC5V	Package Included:
USB Charge: 5V3A	2 x Wall Sconce
Power Source: Battery Powered	2 x USB Cable
Battery capacity: 15000mA	1 x remote control
Control Method: Touch/remote control	2 x Mounting Bracket
Wattage: 4W	2 x Installation Kit
Work time: 35 to 200 hours	1 x User Manual
Full charge time: 8h	
Stepless Color Temperature: 3000K-6500K	
Stepless Dimming Brightness: 10%-100%	

How to install the bracket



How to assemble the lamp fixture

4 Hang the wall sconce, you can easily remove it and charge by Type -C USB cable, no need to unscrew the bulb or remove the batteries to recharge such a tedious step.



1 First install the bracket

2 When in use, press the switch to turn on. Repeatedly pressing the switch can change the light color or use the remote control to change the light color

Note: If the remote is not controllable, please rematch the fixture . While turning on the power at the bottom of the fixture, press the ON/OFF button three times. If you want to control several wall sconces at the same time with one remote, it is the same method.