

USER'S MANUAL
RATTAN LOUNGER SET
A0009-BLCG



280 LBS
CHAIR
CAPACITY



570 LBS
SOFA
CAPACITY



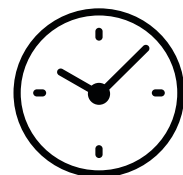
110 LBS
TABLE
CAPACITY



280 LBS
STOOL
CAPACITY



1 PERSON
ASSEMBLY



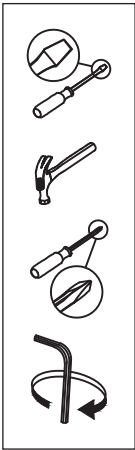
APPROXIMATELY
60 MIN.
ASSEMBLY

Contact Us!

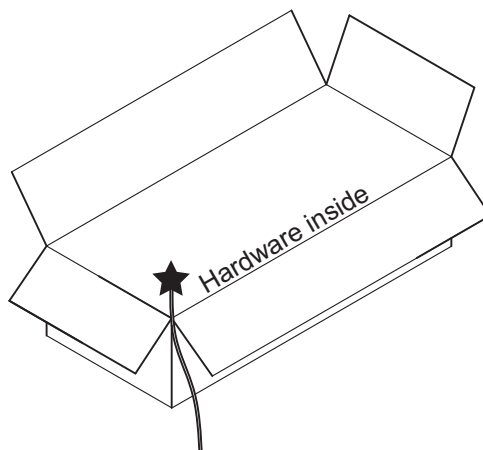
Need Help! Do NOT return this item.

Contact our friendly customer service department for help first.

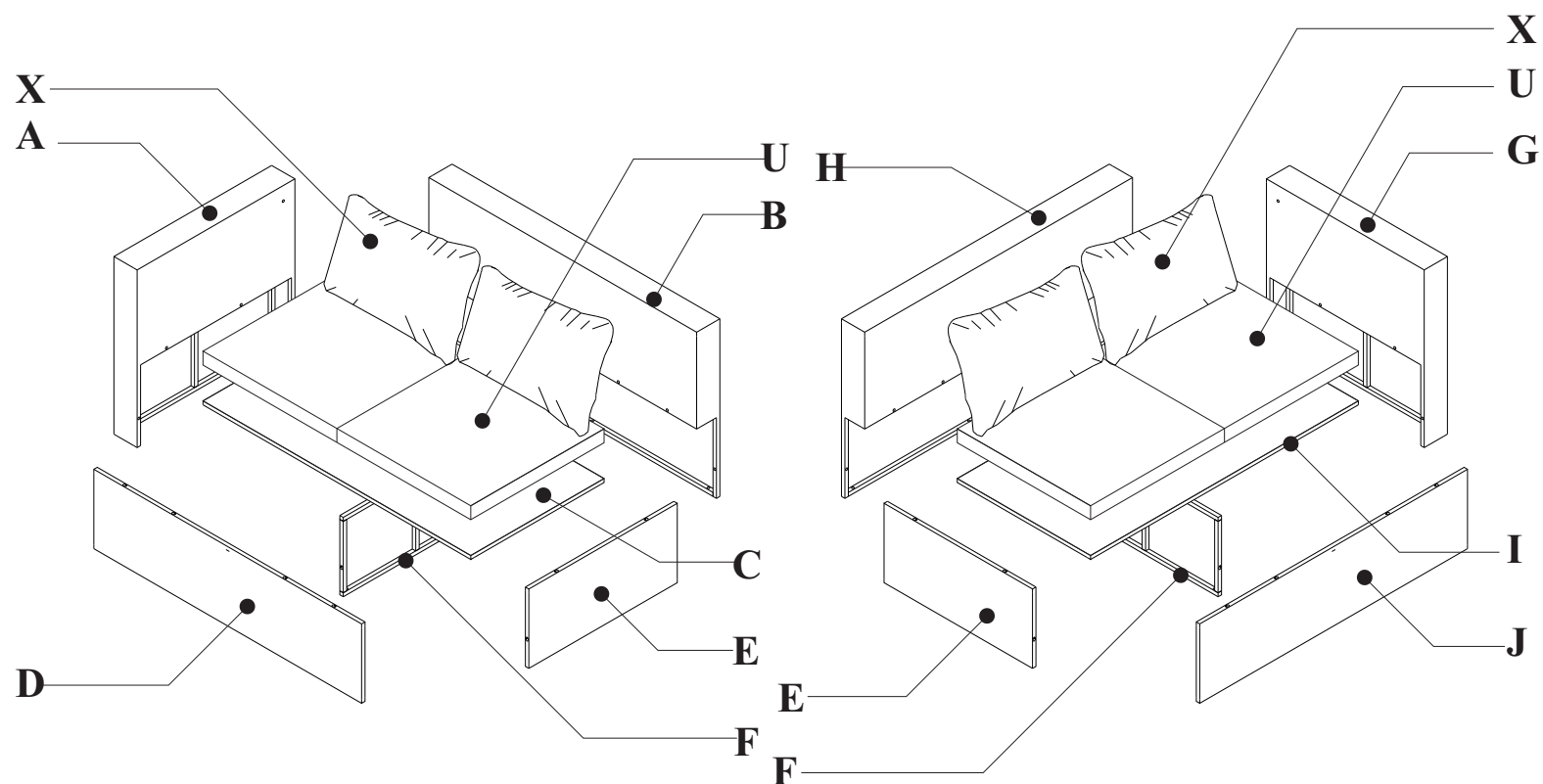
Before You Start



- Please do not exceed the weight limitation of each items
- Do not stand on or use any part of this item as step ladder
- Read each step carefully before starting. It is very important to ensure each step followed in correct order, otherwise assembly difficulties may occur.
- Most of board parts are labeled or stamped on the raw edges. Have a check to make sure all parts are included.
- Work in a spacious area, preferably on a carpet close to where the unit will be used.
- Keep the handtools close at hand. Do not use power tools to assemble your furniture. They may scratch or damage the parts.
- Manufacturer and seller expressly disclaim any and all liability for personal injury, property damage or loss, whether direct, indirect, or incidental, resulting from incorrect attachment, improper use, inadequate maintenance, or neglect of this product.
- To entitle refund, all return must in its original product packaging with all accessories are included. Pictures return may required as evidence and the responsibilities will pass to us untill the item has been received by our side. All returned fee under customer's expense.

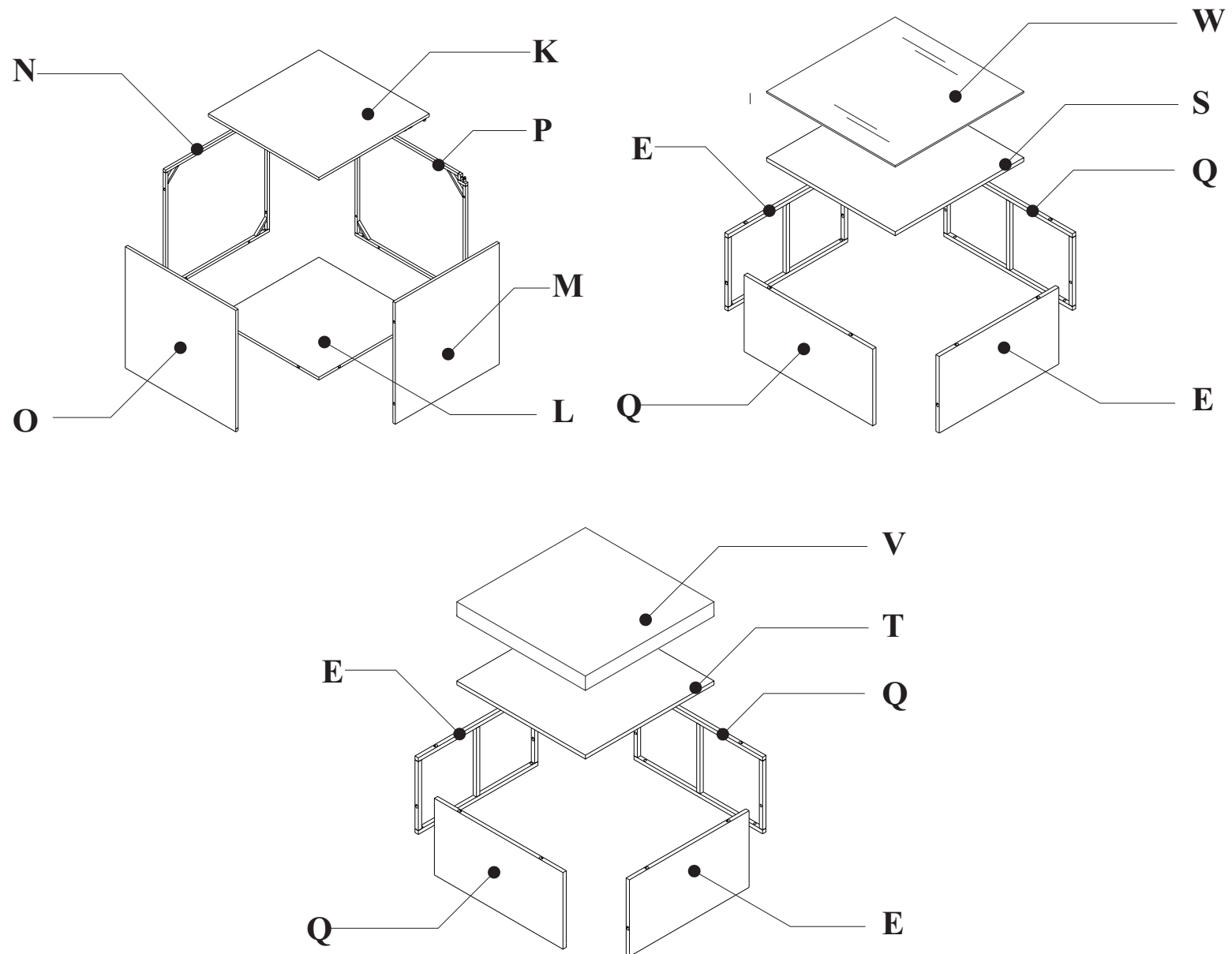


1 x Right bench
 1 x Left bench
 1 x Table
 1 x Cushion box
 2 x Stool



Notice:

1. **50% Tighten before fixing all screws, Allen wrench is recommended instead of an electric drill.**
2. **Place the item on a flat ground to adjust and make sure it remains stable.**
3. **Tighten up all screws with tools gradually.**
4. **If the screws are not aligned with holes during assembly, please loosen all the other screws to 50% and continue the assembly process.**
5. **If the item is not stable, please loosen all the screws, adjust it on a flat ground and tighten up all screws again.**
6. **Note : If one or some screws are fully tightened during assembly, chances are the others will not be aligned with holes. In addition, all the holes are designed to be relatively larger to provide more space for the adjustment of the screws.**

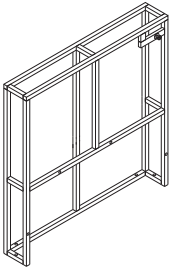


Notice:

1. **50% Tighten before fixing all screws, Allen wrench is recommended instead of an electric drill.**
2. **Place the item on a flat ground to adjust and make sure it remains stable.**
3. **Tighten up all screws with tools gradually.**
4. **If the screws are not aligned with holes during assembly, please loosen all the other screws to 50% and continue the assembly process.**
5. **If the item is not stable, please loosen all the screws, adjust it on a flat ground and tighten up all screws again.**
6. **Note : If one or some screws are fully tightened during assembly, chances are the others will not be aligned with holes. In addition, all the holes are designed to be relatively larger to provide more space for the adjustment of the screws.**

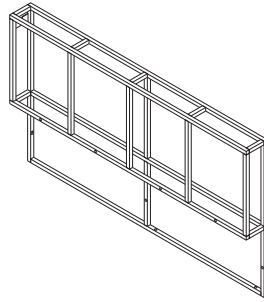
Part List & Hardware

A



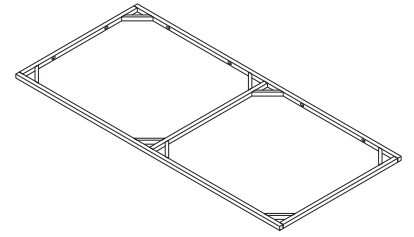
Right frame (1 pc)

B



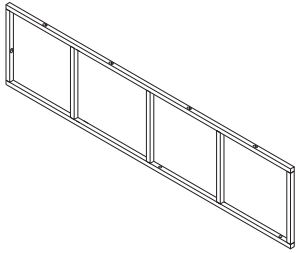
Right back frame (1 pc)

C



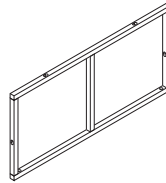
Right seat frame (1 pc)

D



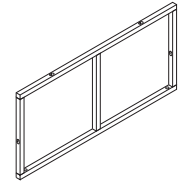
Right front frame (1 pc)

E



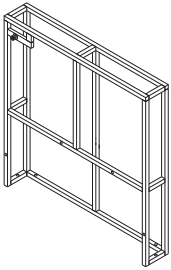
Side frame (8 pcs)

F



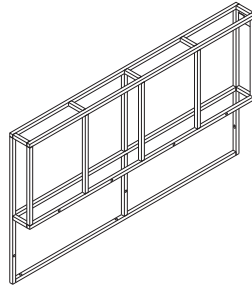
Inner frame (2 pcs)

G



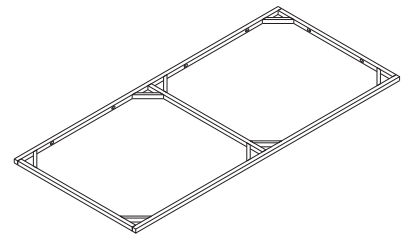
Left frame (1 pc)

H



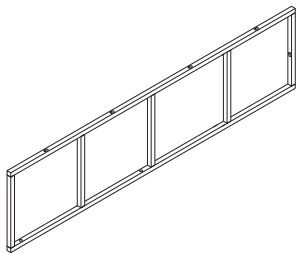
Left back frame (1 pc)

I



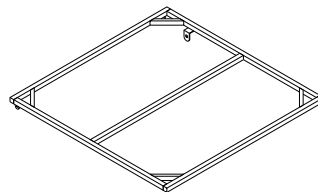
Left seat frame (1 pc)

J



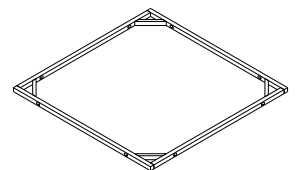
Left front frame (1 pc)

K



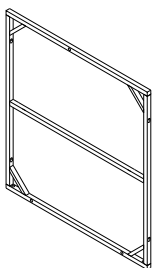
Cushion box cover frame (1 pc)

L



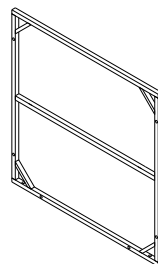
Cushion box bottom frame (1 pc)

M



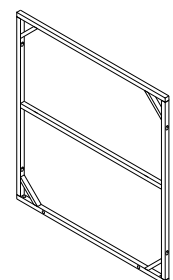
Cushion box side frame (1 pc)

N



Cushion box side frame (1 pc)

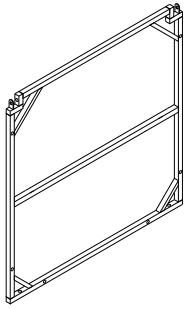
O



Cushion box front frame (1 pc)

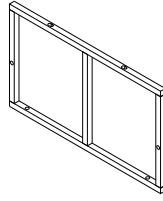
Part List & Hardware

P



Cushion box behind frame (1 pc)

Q



Big side frame (6 pcs)

S

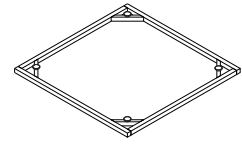
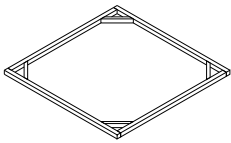


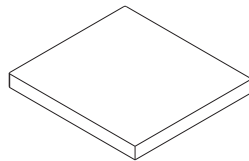
Table top frame (1 pc)

T



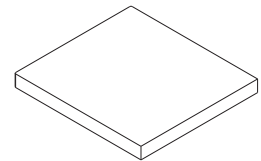
Stool seat frame (2 pcs)

U



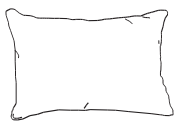
Cushion (4 pcs)

V



Stool cushion (2 pcs)

X



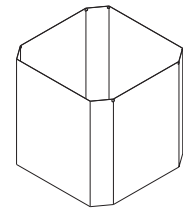
Back pillow (4 pcs)

Y



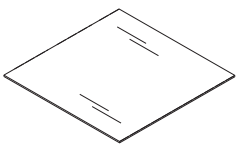
Small back pillow (2 pcs)

Z



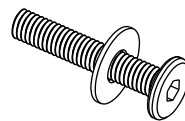
Fabric cover (1 pc)

W



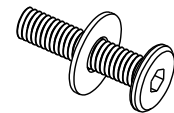
Glass (1 pc)

1



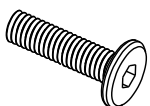
M6x35mm (84 pcs)

2



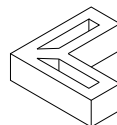
M6x30mm (11 pcs)

3



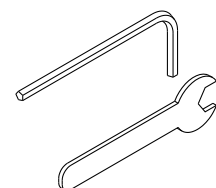
M6x25mm (57 pcs)

4



Sofa sole (28 pcs)

5



Allen key (1 pc)

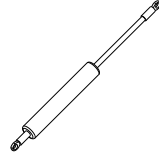
Part List & Hardware

6



Nut M6 (1 pc)

7



Gaslift (1 pc)

8



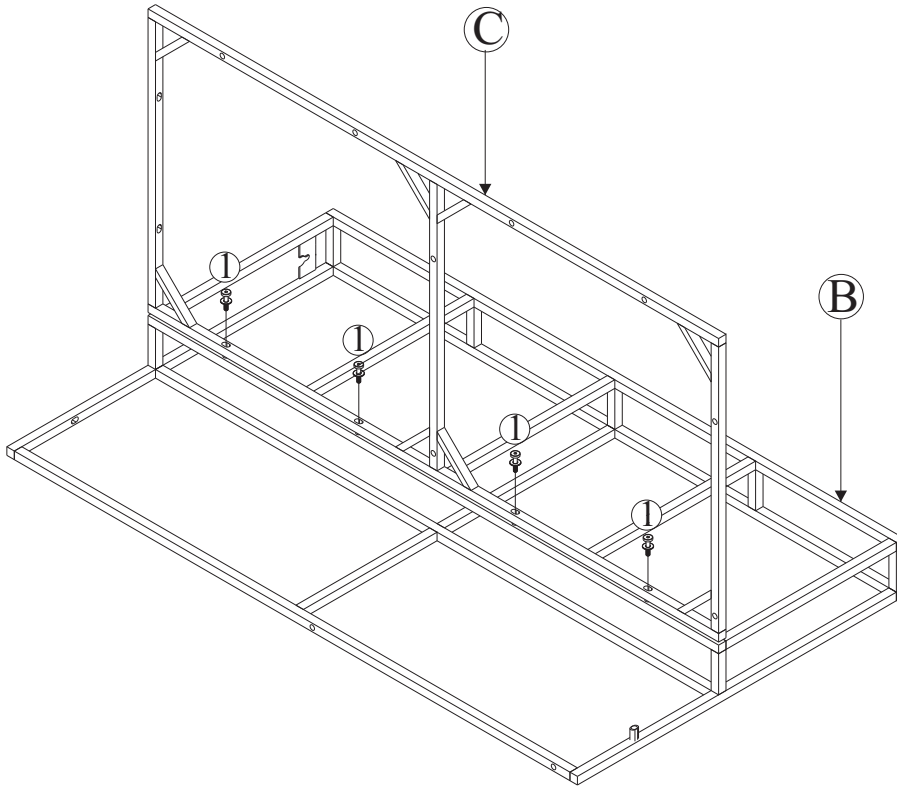
Plastic washer M8x10mm (1 pc)

9

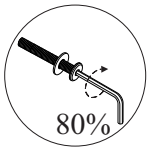


Plastic washer M8x2mm (5 pcs)

STEP 1
Connect Right back frame (B) & Right seat frame (C) with Bolt (1)

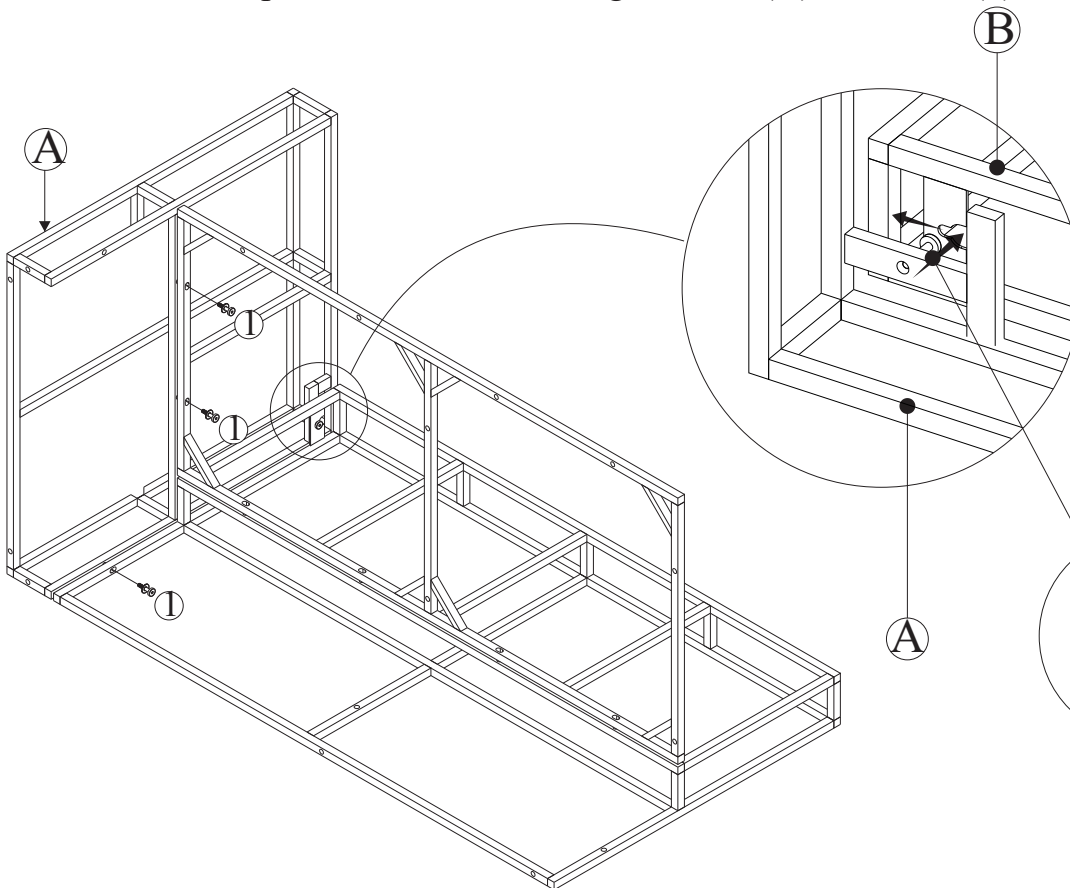


x1

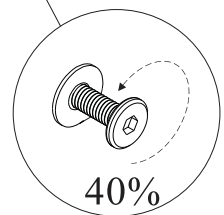


1
4 pcs

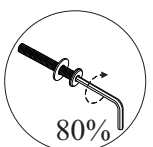
STEP 2
Connect part from STEP 1 & Right frame (A) with Bolt (1)



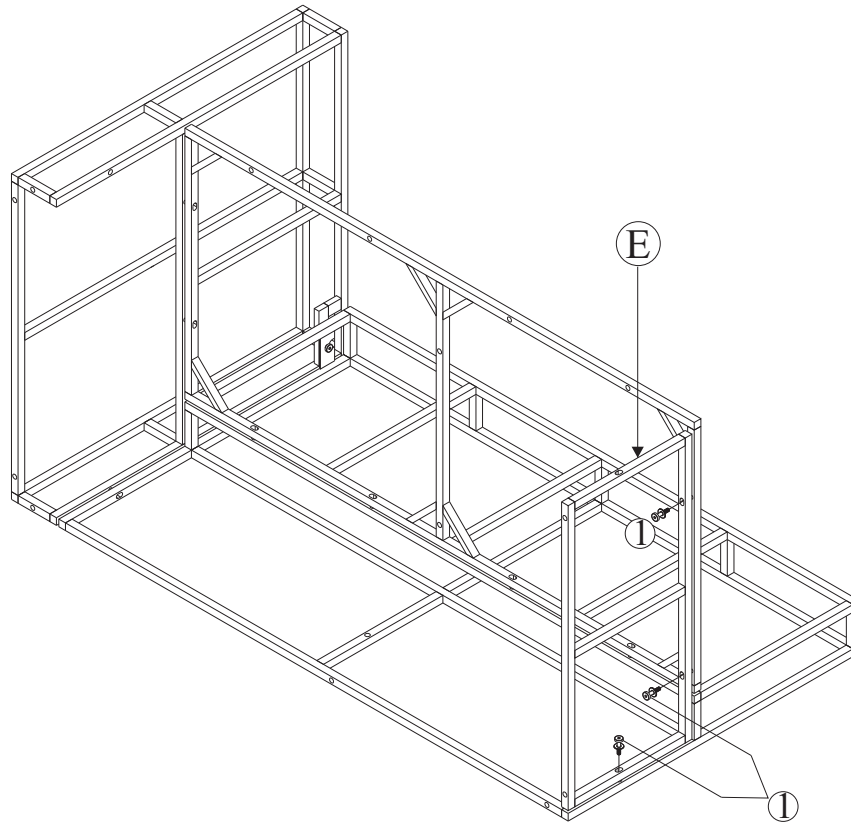
x1



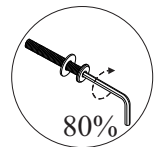
1
3 pcs



STEP 3
Connect part from STEP 2 & Side frame (E) with Bolt (1)

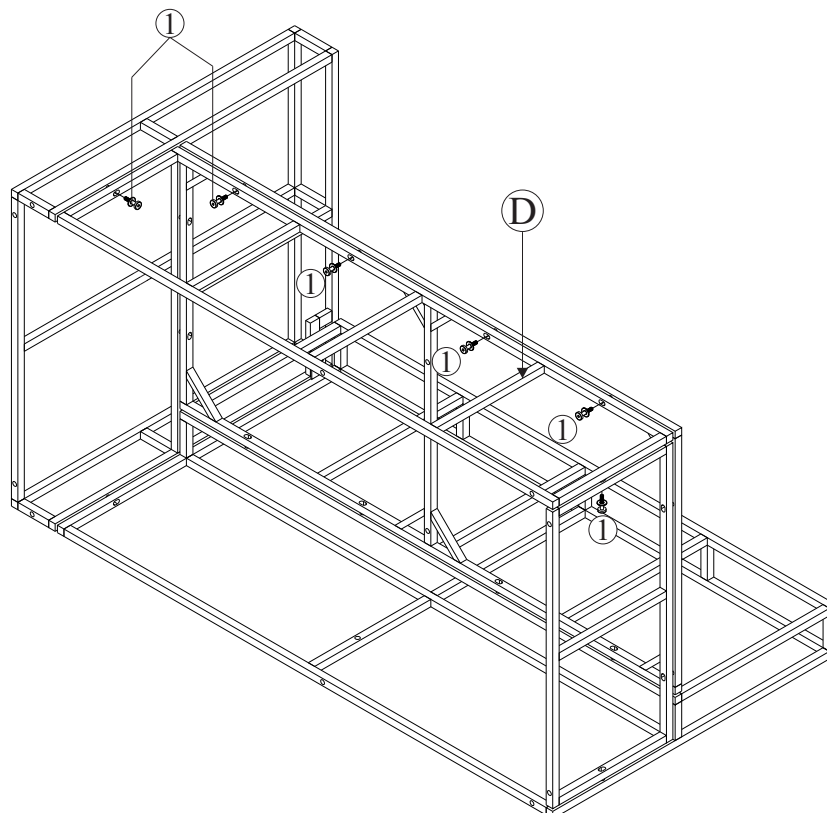


x1

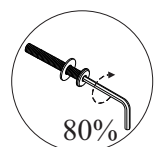


1
3 pcs

STEP 4
Connect part from STEP 3 & Right front frame (D) with Bolt (1)



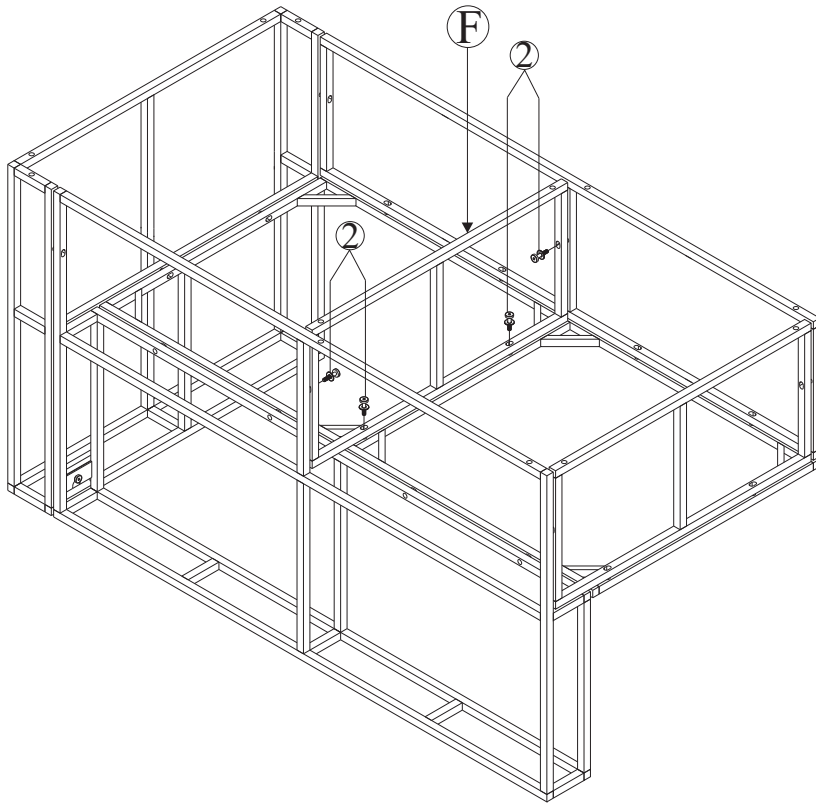
x1



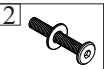
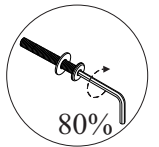
1
6 pcs

STEP 5

Connect part from STEP 4 & Inner Frame (F) with Bolt (2)



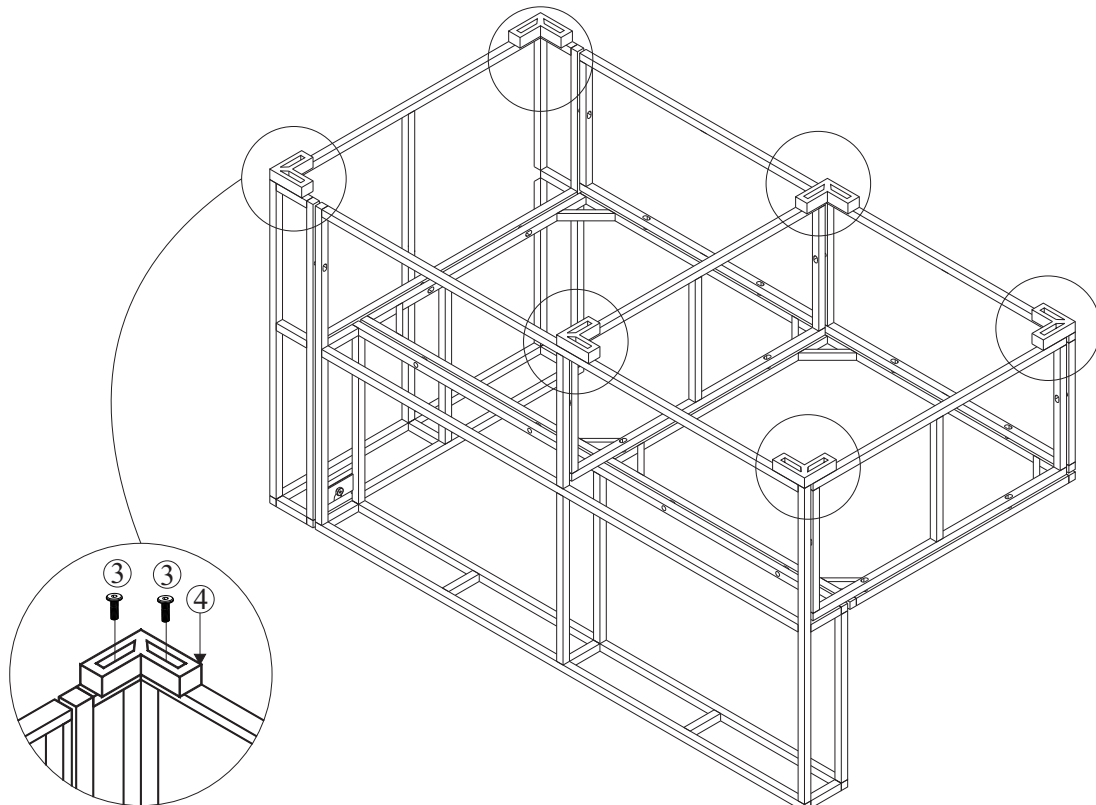
x1



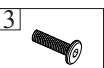
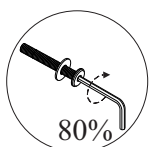
4 pcs

STEP 6

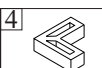
Connect part from STEP 5 & Soles Sofa sole (4) with Bolt (3)



x1



12 pcs

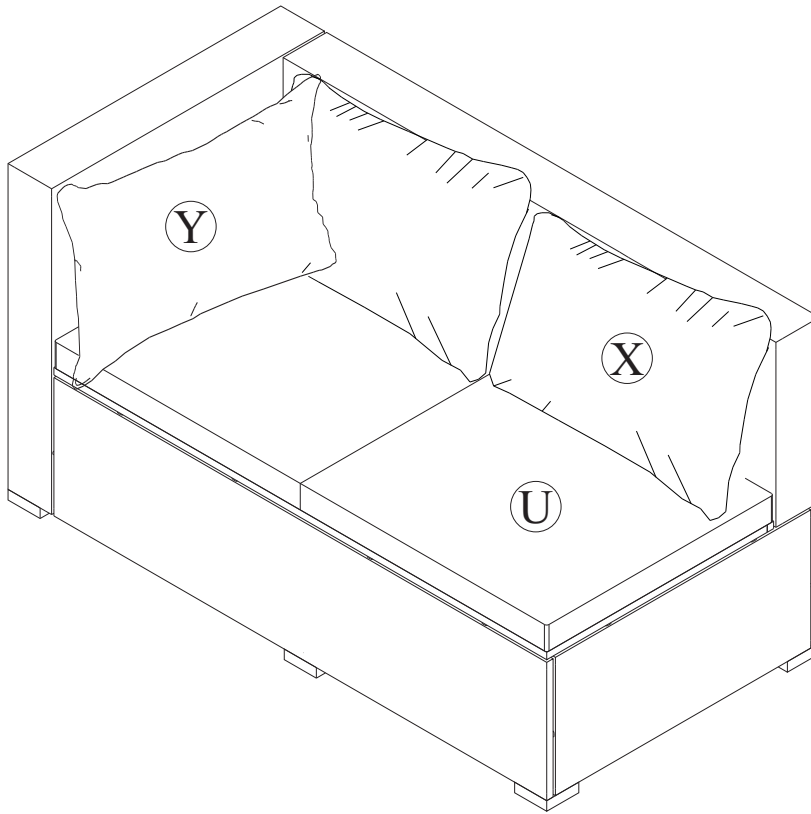


6 pcs

STEP 7

Put on Cushion (U), Big back pillow (X) & Small back pillow (Y) to complete right bench

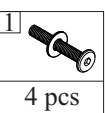
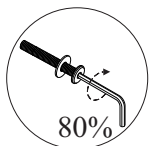
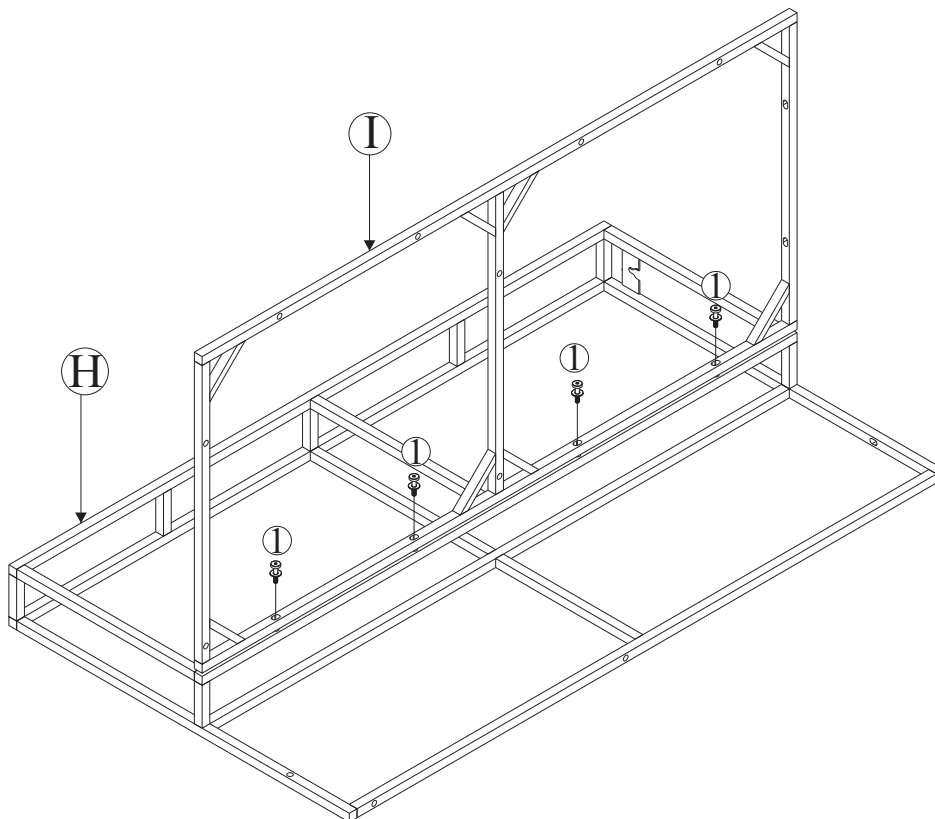
x1



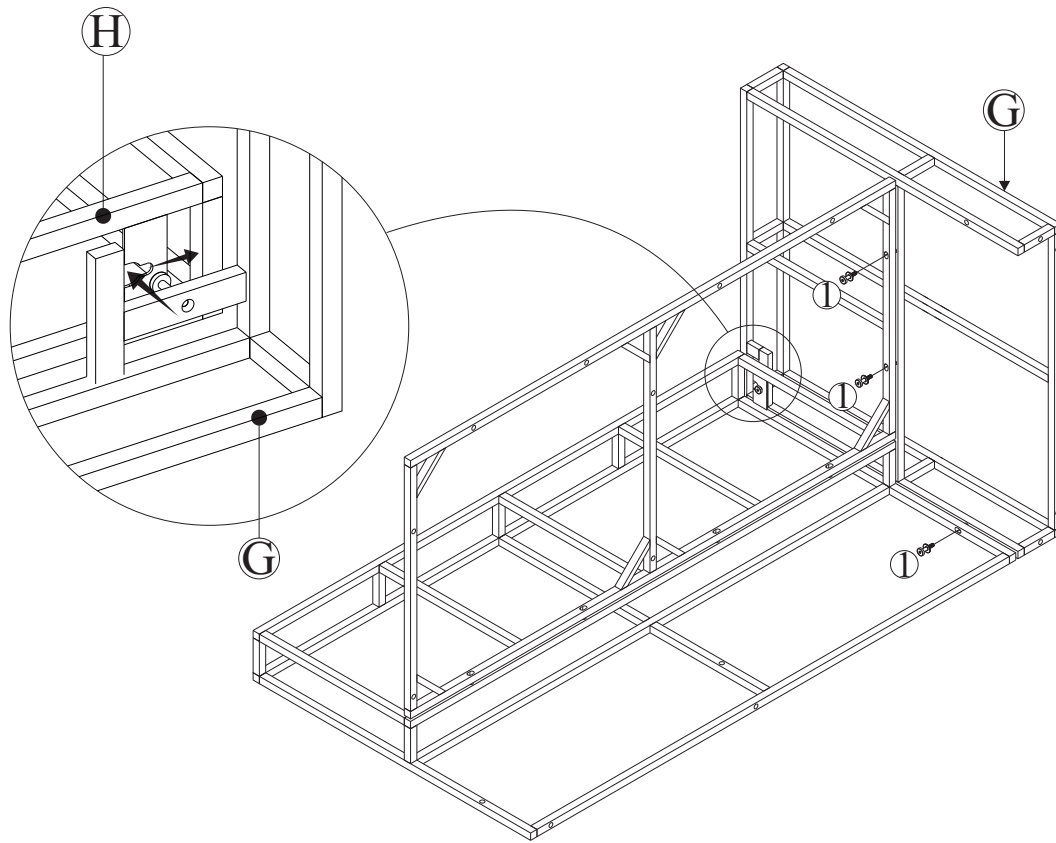
STEP 8

Connect Left back frame (H) & Left seat frame (I) with Bolt (1)

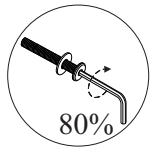
x1



STEP 9
Connect part from STEP 8 & Left frame (G) with Bolt (1)

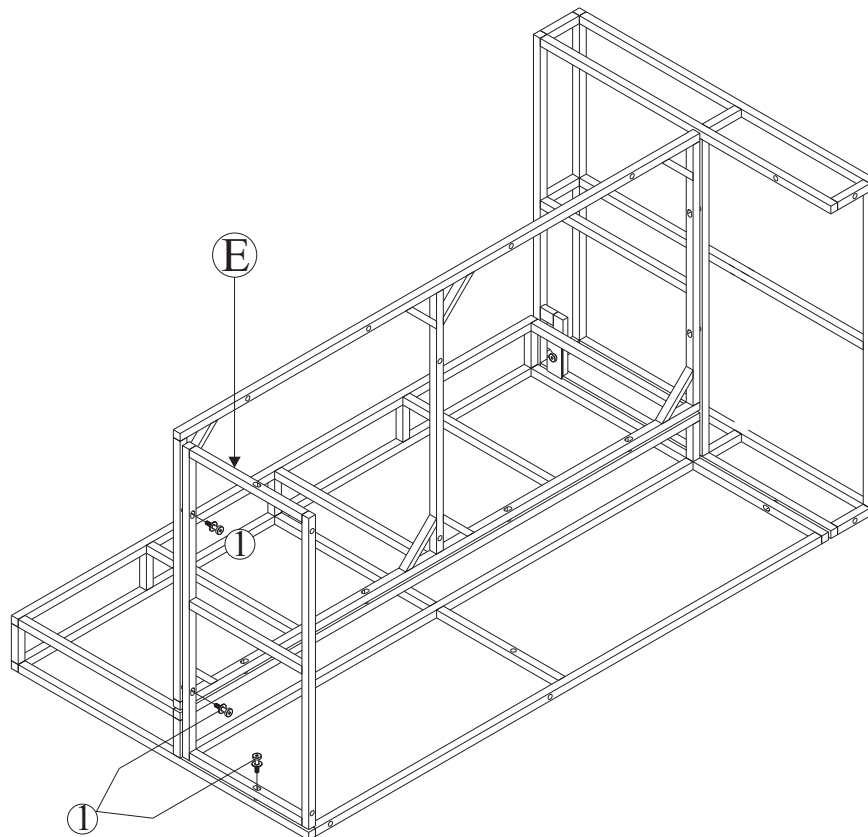


x1

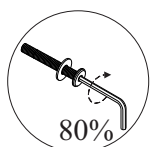


1
3 pcs

STEP 10
Connect part from STEP 9 & Side frame (E) with Bolt (1)



x1

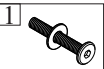
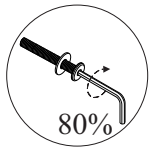
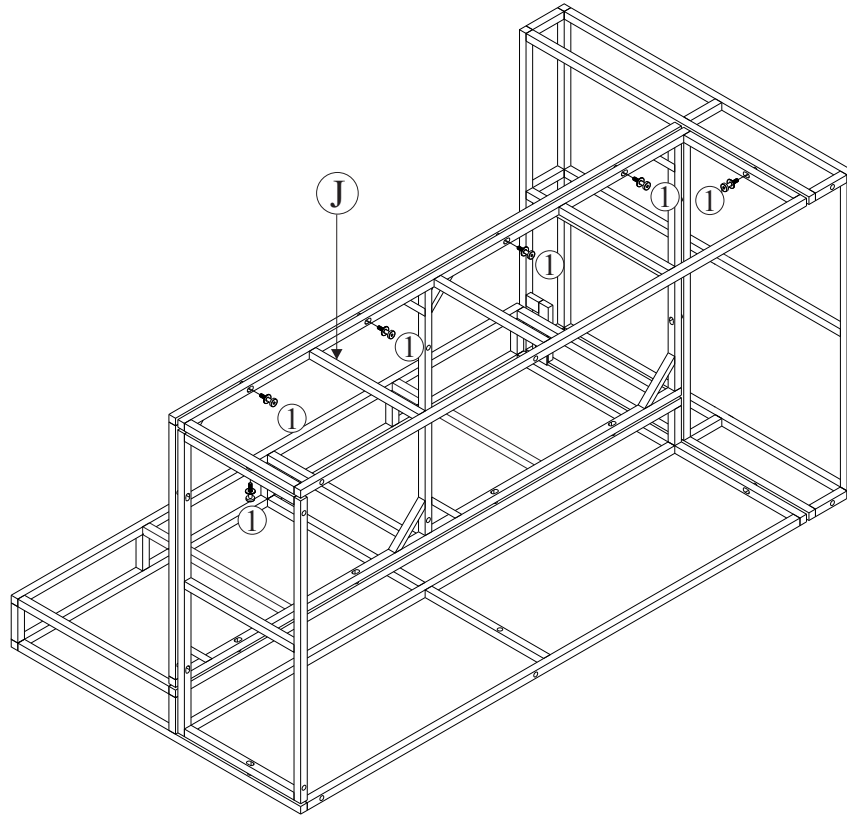


1
3 pcs

STEP 11

Connect part from STEP 10 & Left Front Frame (J) with Bolt (1)

x1

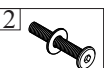
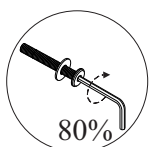
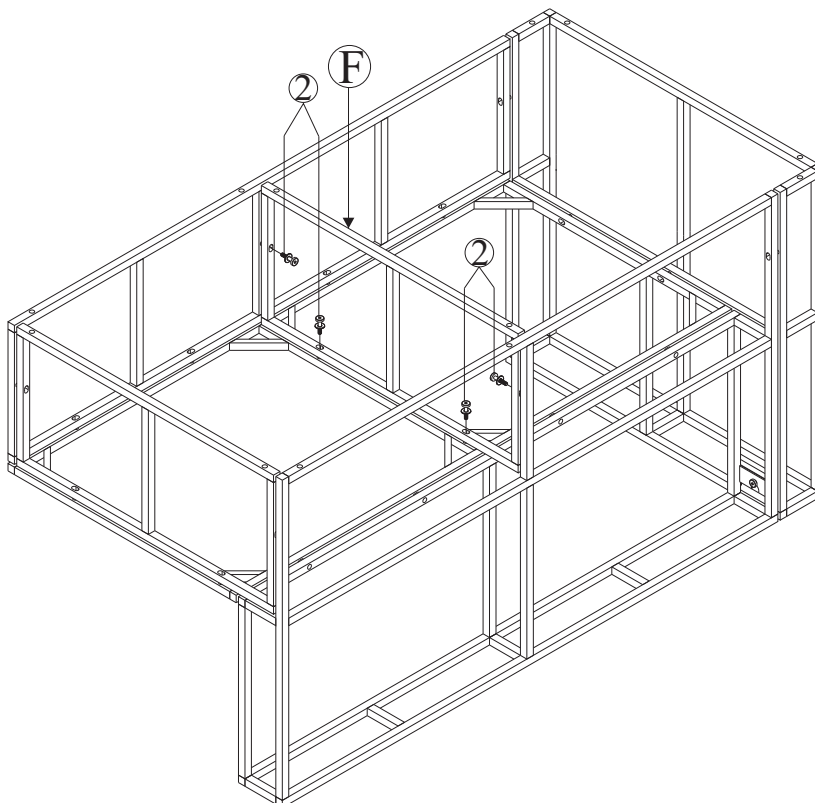


6 pcs

STEP 12

Connect part from STEP 11 & Inner Frame (F) with Bolt (2)

x1

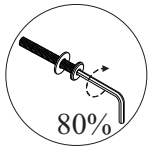
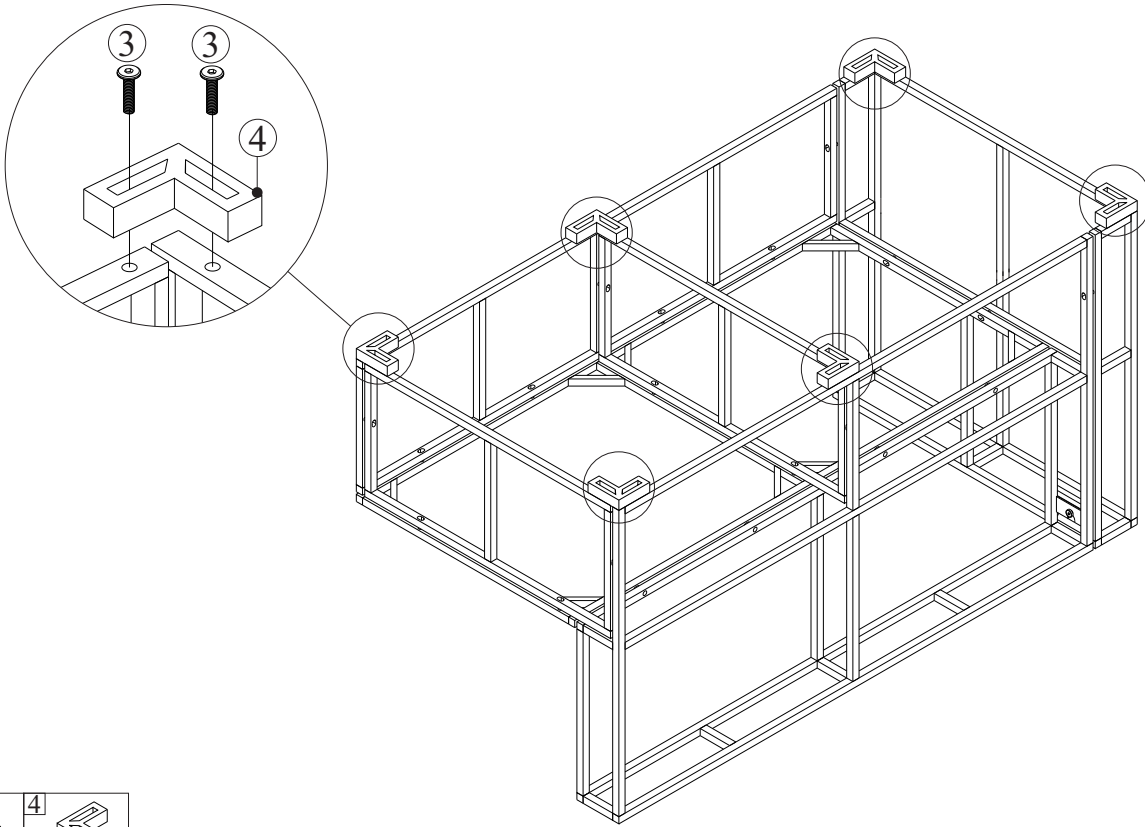


4 pcs

STEP 13

Connect part from STEP 12 & Sofa sole (4) with Bolt (3)

x1

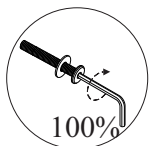
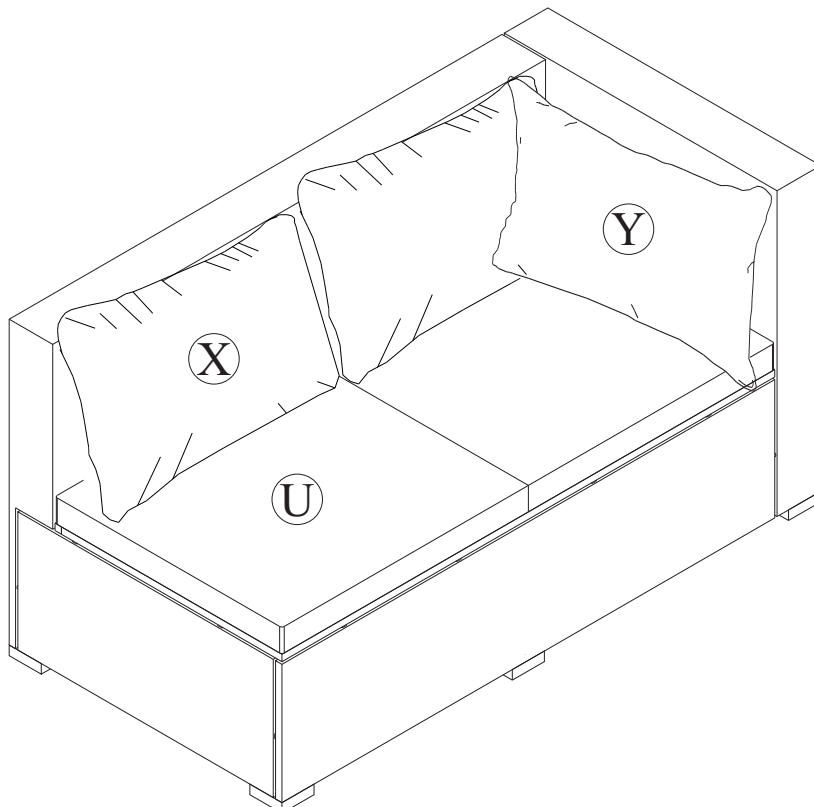


3	4
12 pcs	6 pcs

STEP 14

Put on Cushion (U), Big back pillow (X) & Small back pillow (Y) to complete left bench

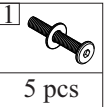
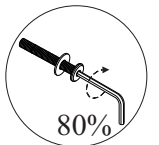
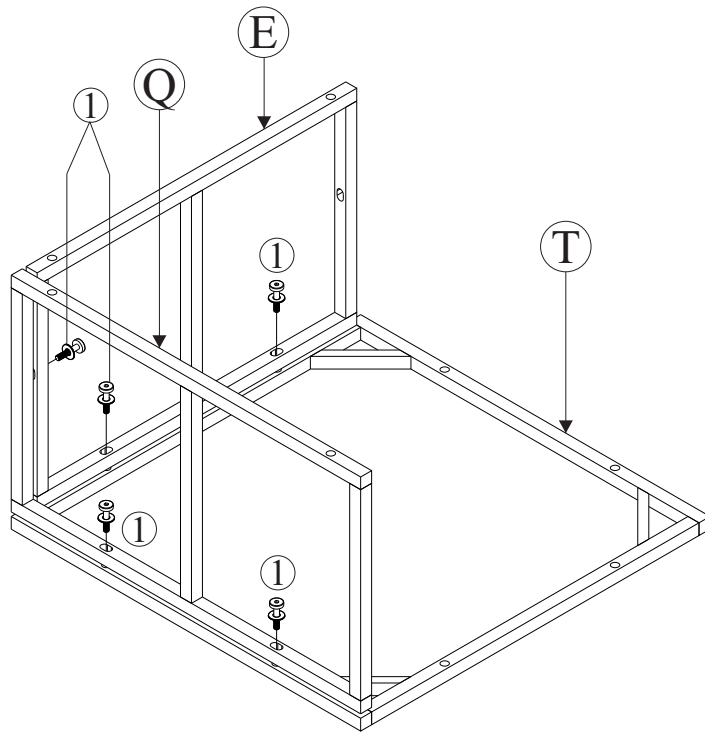
x1



STEP 15

Connect Big side frame (Q), Side Frame (E) & Stool seat frame (T) with Bolt (1)

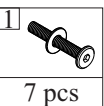
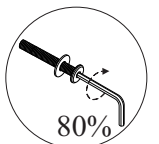
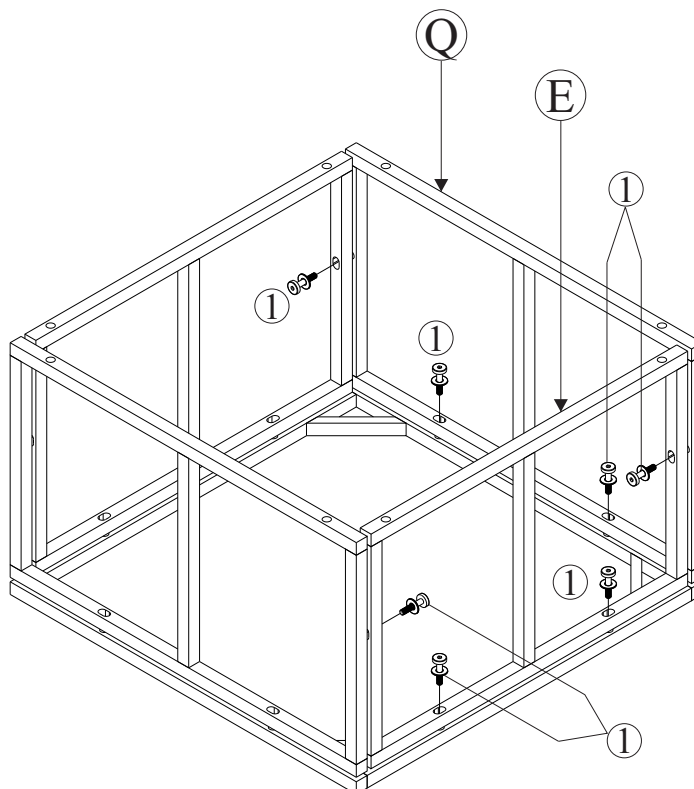
x2



STEP 16

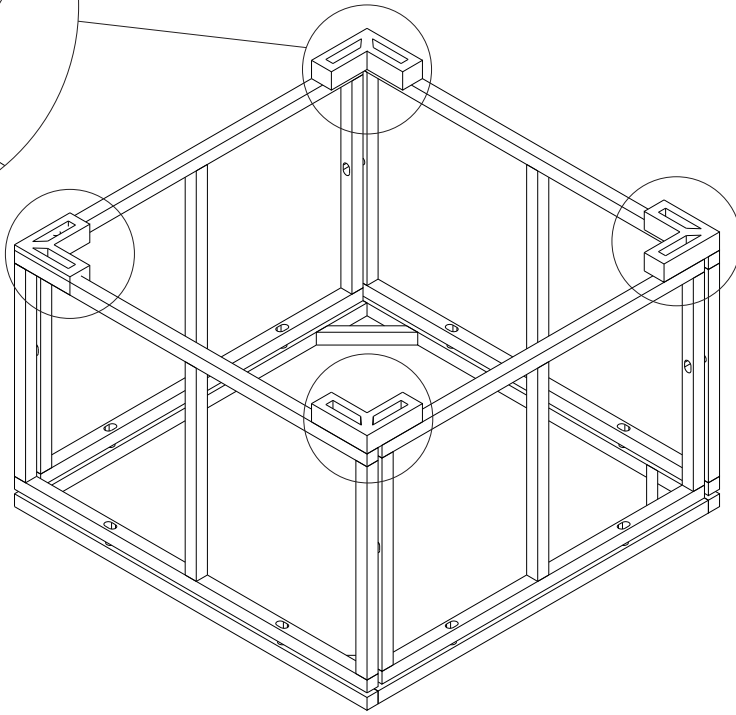
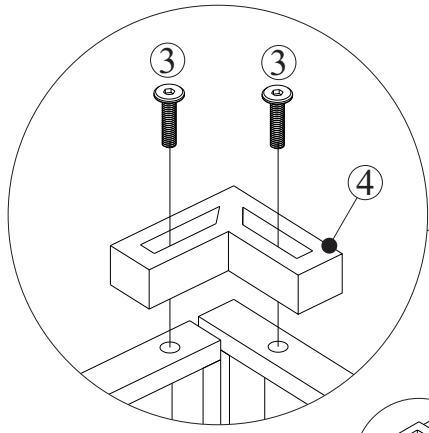
Connect part from STEP 15, Big side frame (Q) & Side frame (E) with Bolt (1)

x2

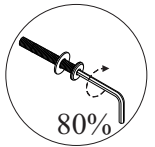


STEP 17

Connect part from STEP 16 & Sofa sole (4) with Bolt (3)



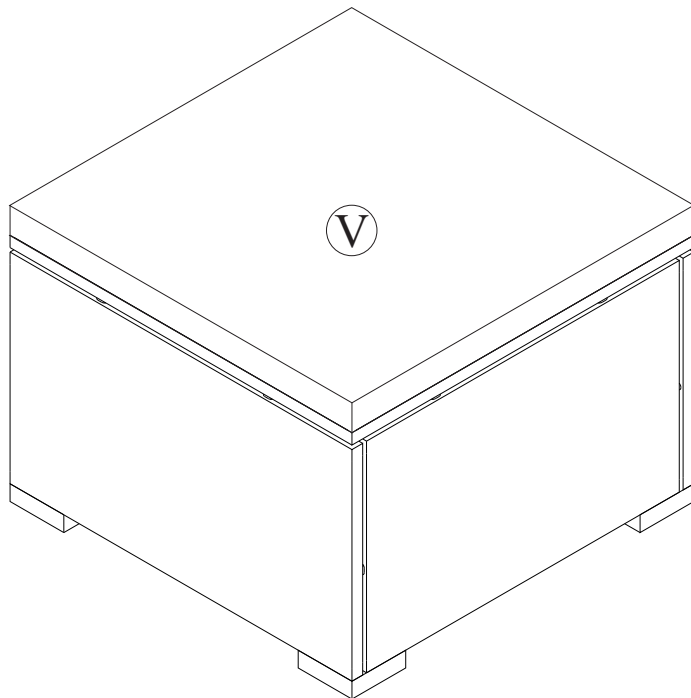
x2



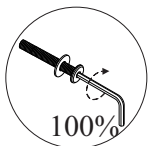
3	4
8 pcs	4 pcs

STEP 18

Put on Stool cushion (V) to complete stool.



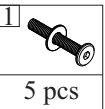
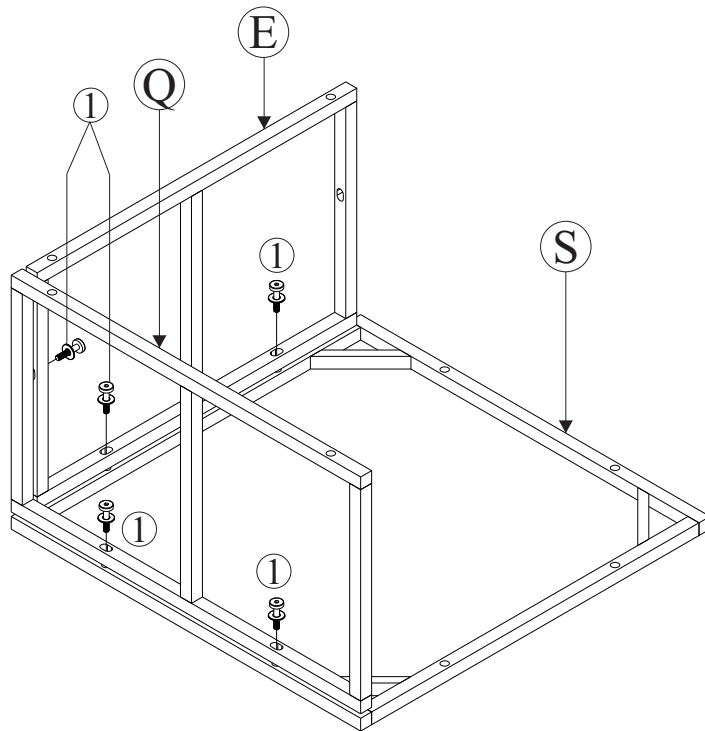
x2



STEP 19

Connect Big side frame (Q), Side Frame (E) & Table top frame (S) with Bolt (1)

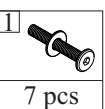
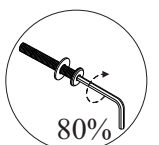
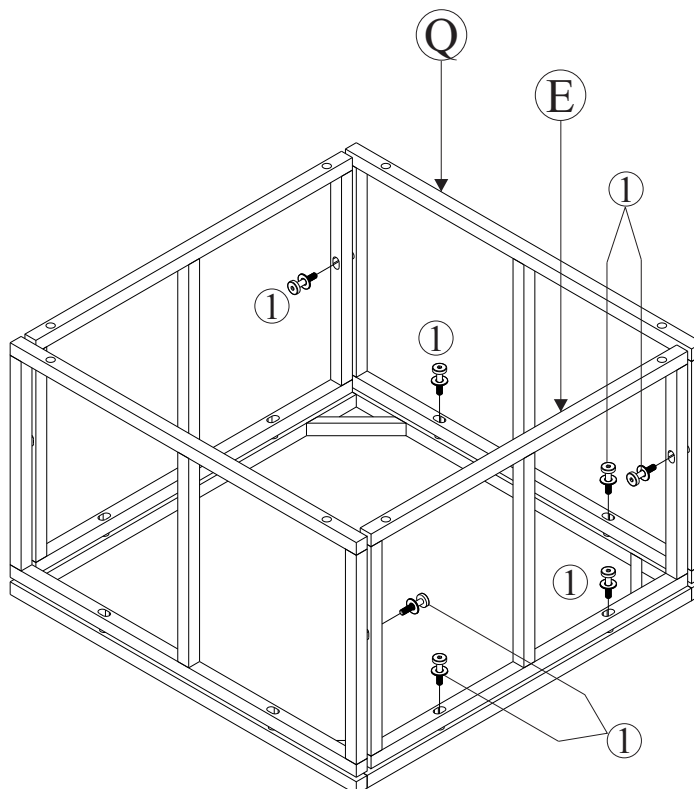
x1



STEP 20

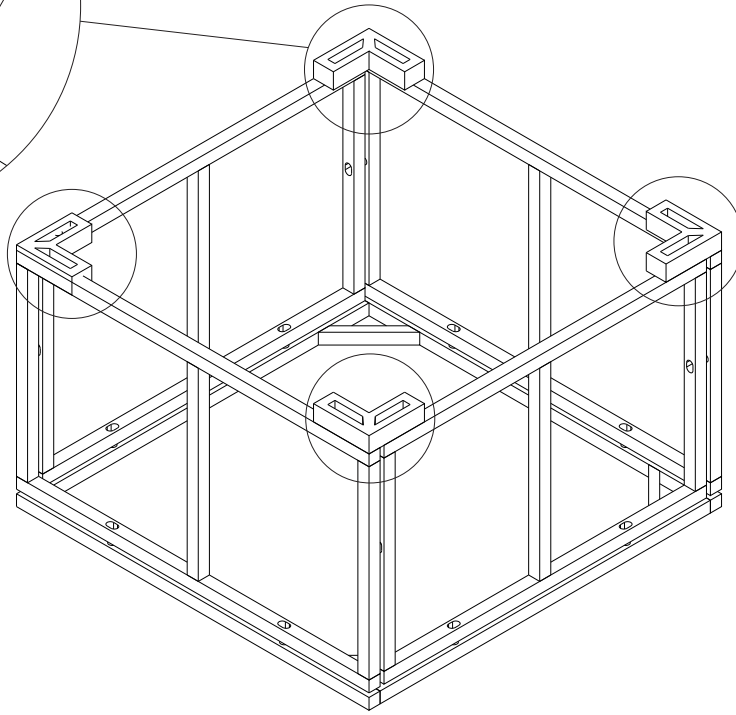
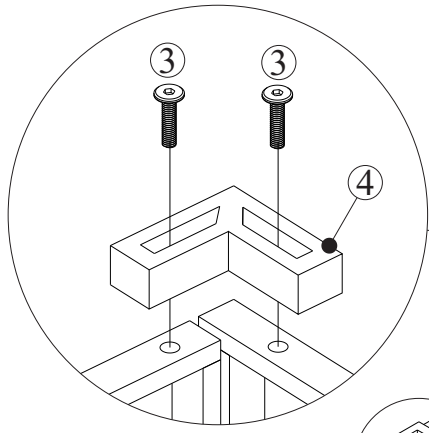
Connect part from STEP 19, Big side frame (Q) & Side frame (E) with Bolt (1)

x1

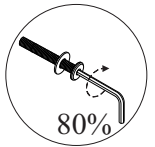


STEP 21

Connect part from STEP 20 & Sofa sole (4) with Bolt (3)



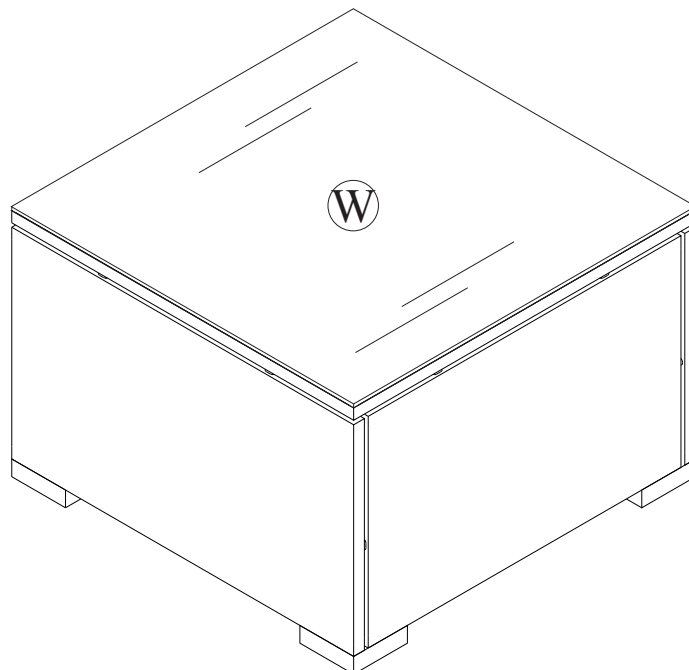
x1



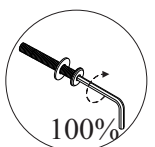
3	4
8 pcs	4 pcs

STEP 22

Put on Glass (W) to complete table



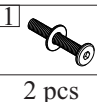
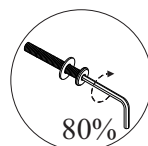
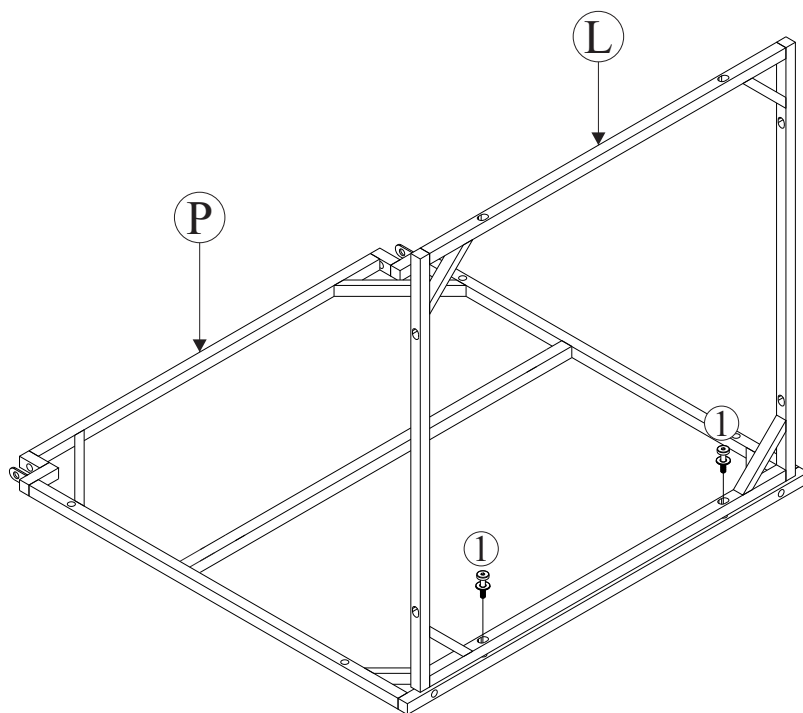
x1



STEP 23

Connect Cushion box behind frame (P) & Cushion box bottom frame (L) with Bolt (1)

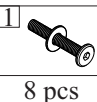
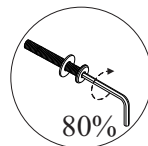
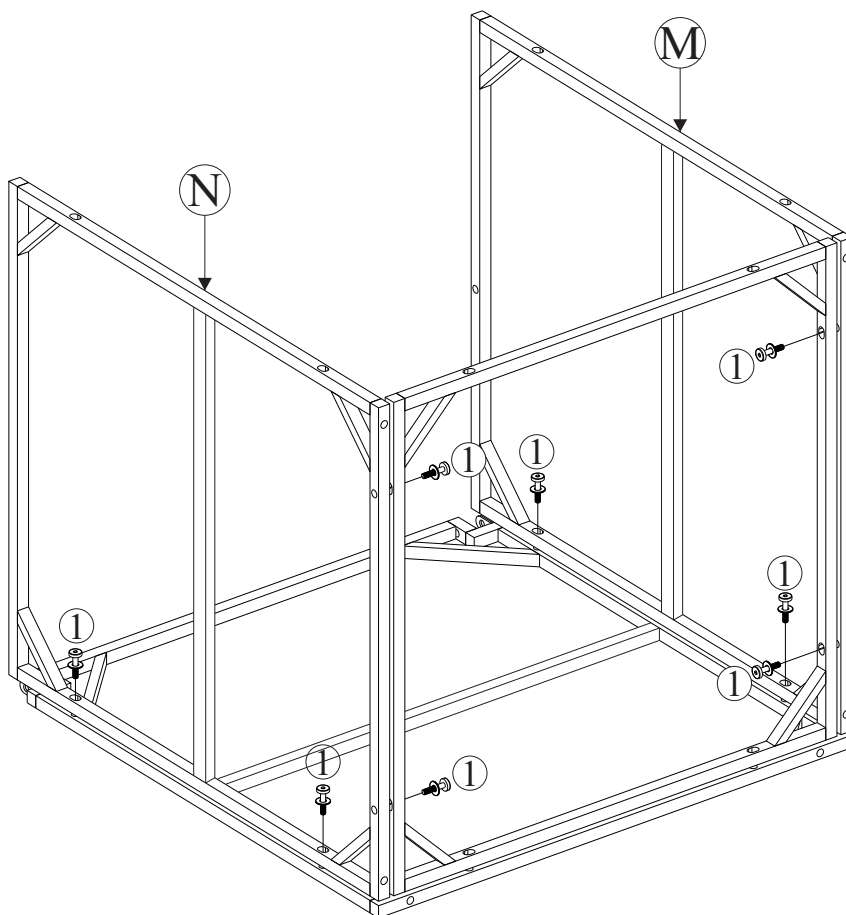
x1



STEP 24

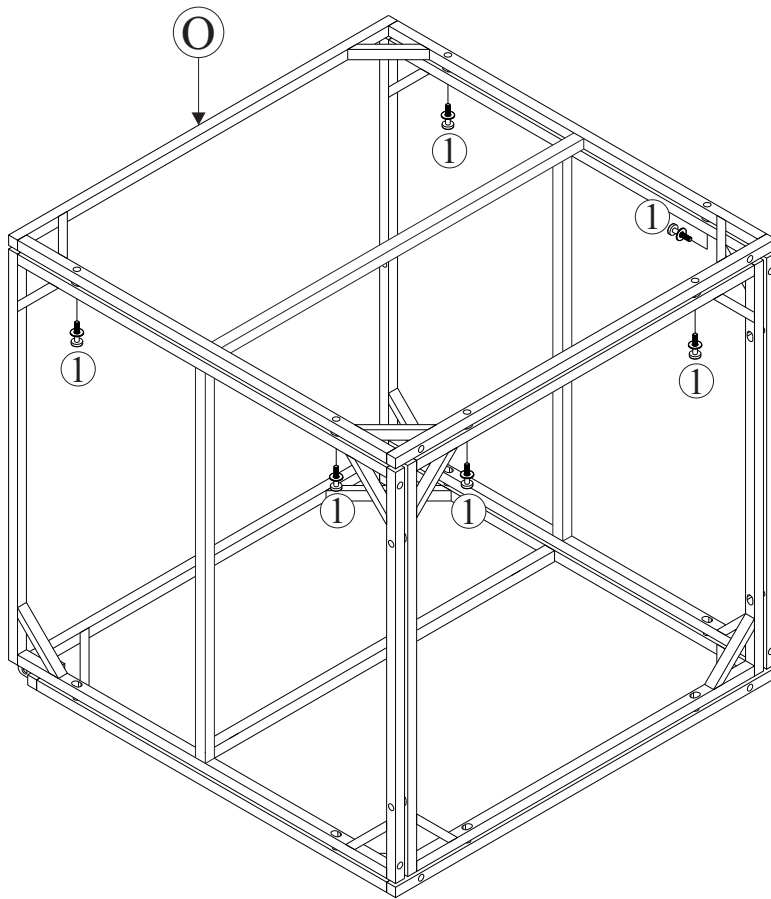
Connect part from STEP 23 & Cushion box side frame (M),(N) with Bolt (1)

x1

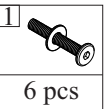
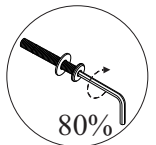


STEP 25

Connect part from STEP 24 & Cushion box front frame (O) with Bolt (1)

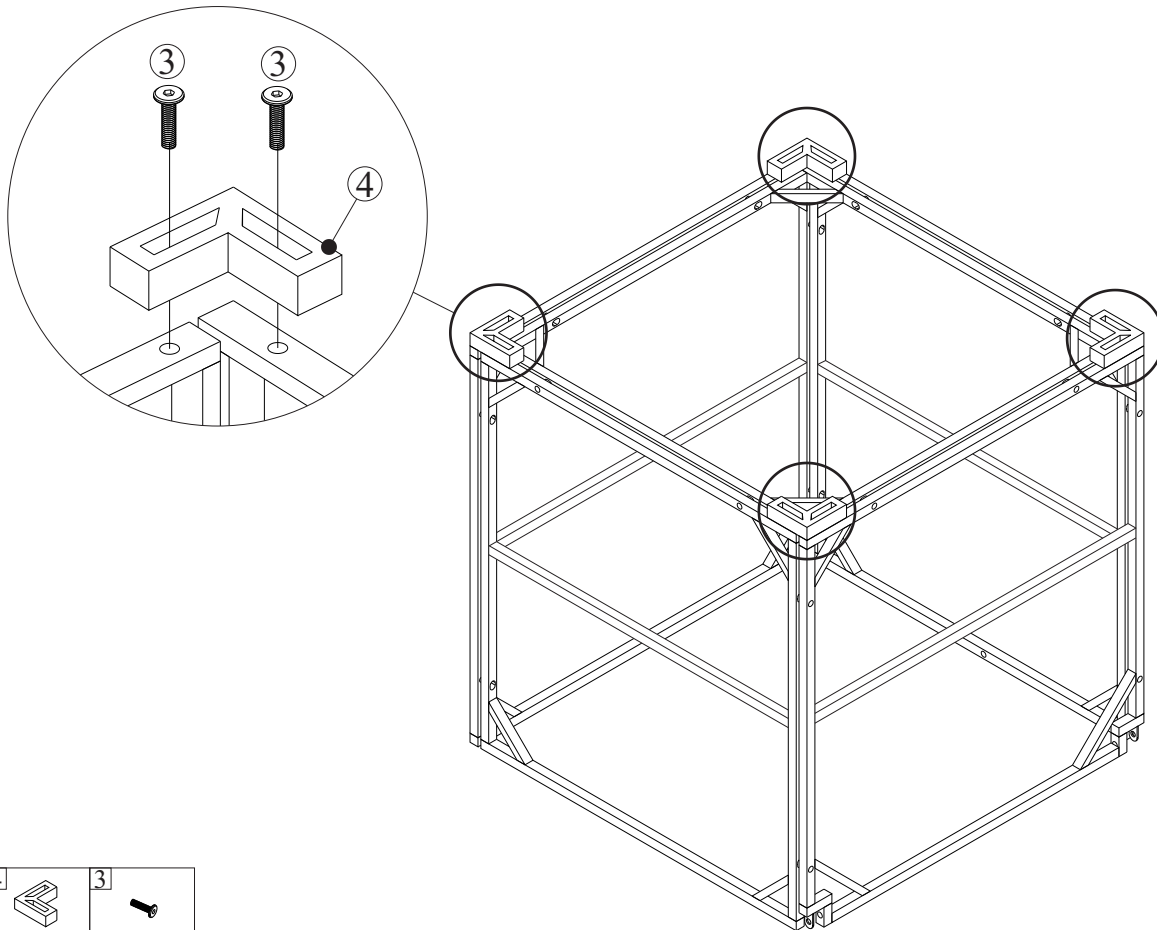


x1

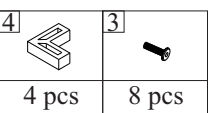
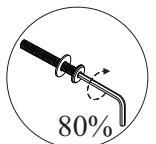


STEP 26

Connect part from STEP 25 & Sofa sole (4) with Bolt (3)

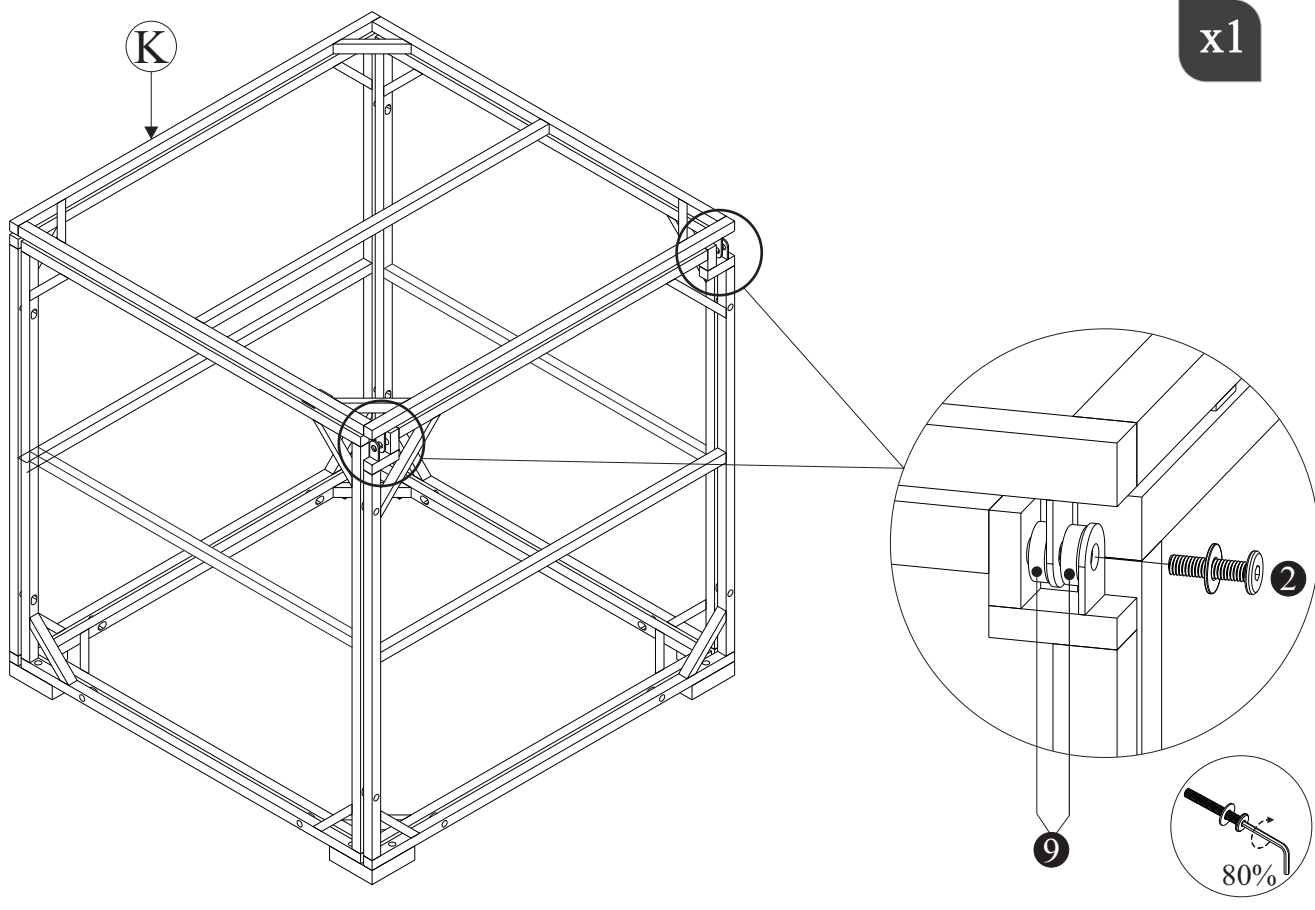


x1





STEP 27

Connect part from STEP 26 & Cushion box cover frame (K) with Plastic washer (9) & Bolt (2)

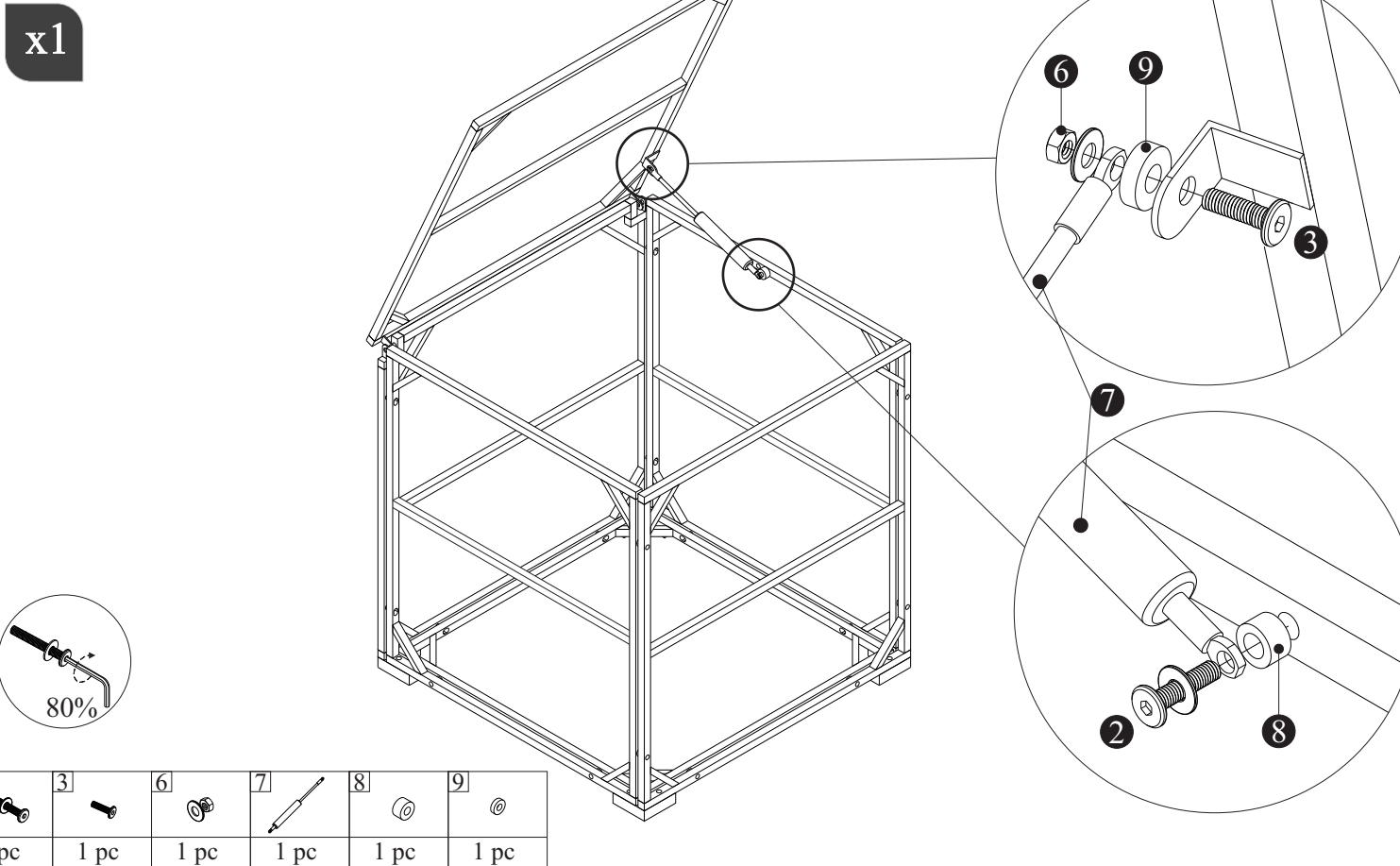


x1







	
2 pcs	4 pcs

STEP 28

Connect part from STEP 27 & Gaslift (7) with Bolt (2) & (3), Nut (6), Plastic washer (8) & (9)

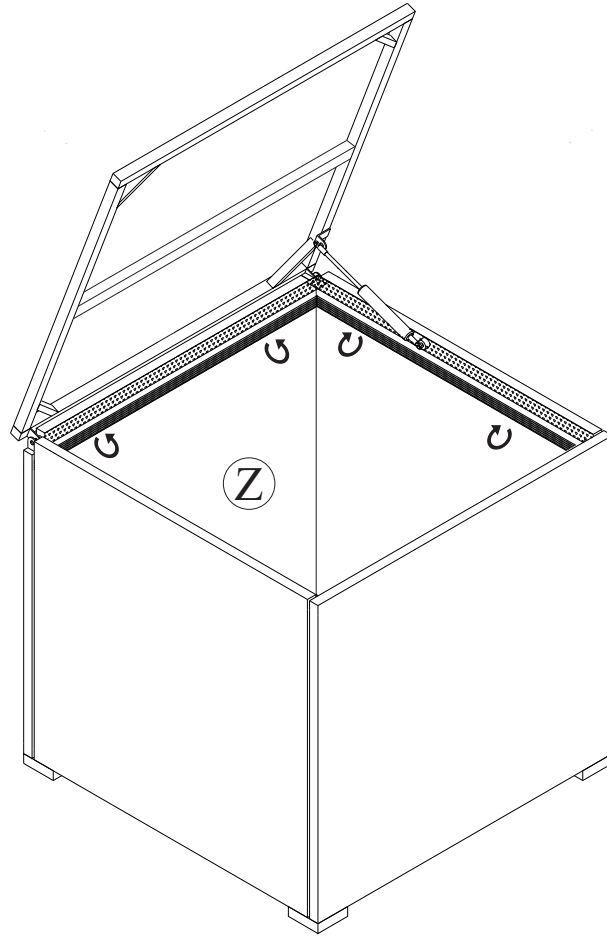


x1

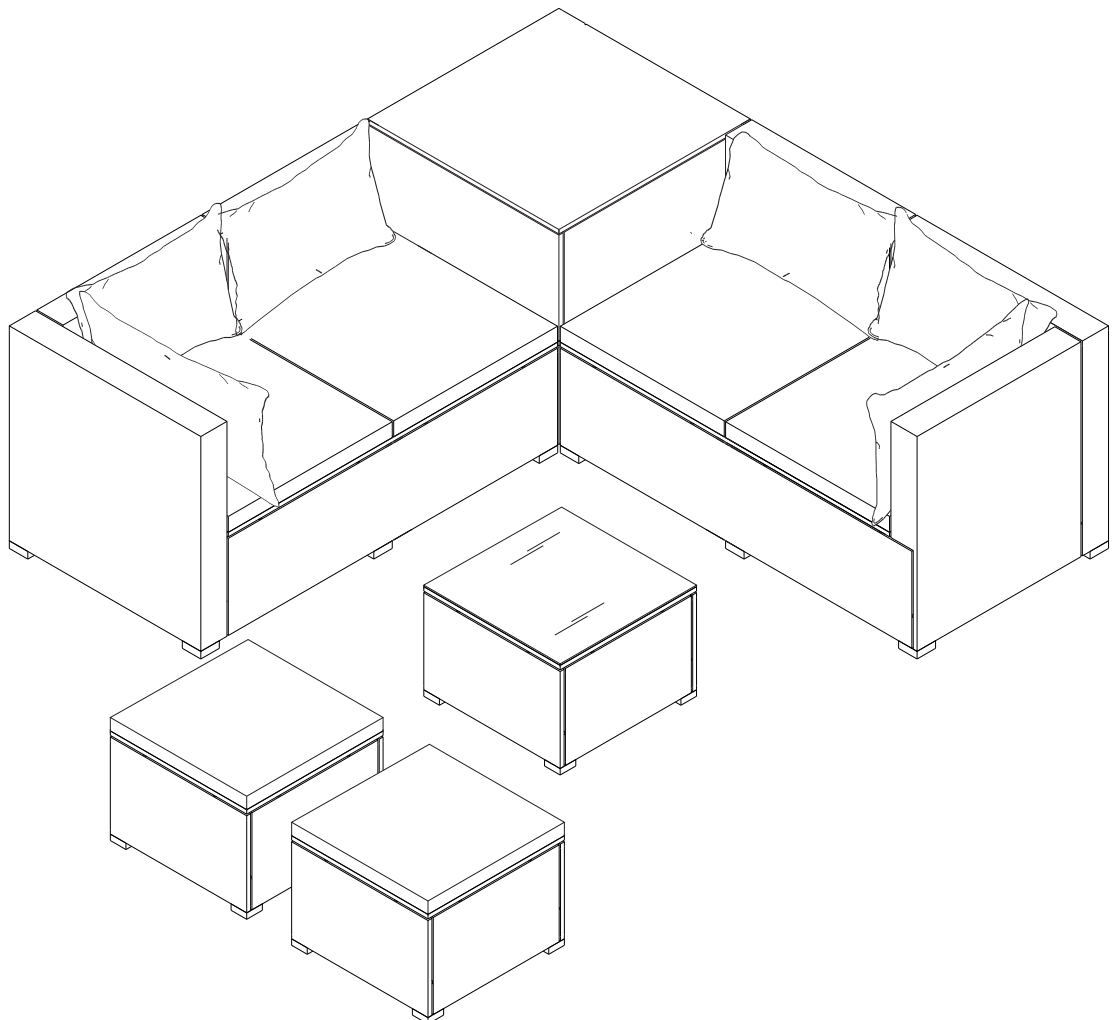
					
1 pc	1 pc	1 pc	1 pc	1 pc	1 pc

STEP 29

Put on Fabric cover (Z) to complete cushion box.



x1



Care and Maintenance

Use a soft, clean cloth that will not scratch the surface when dusting.

Use of furniture polish is not necessary.

Should you choose to use polish, test first in an inconspicuous area.

Using solvents of any kind on your furniture may damage the finish.

Liquid spills should be removed immediately. Using a soft clean cloth, blot the spill gently. Avoid rubbing.

Check bolts/screws periodically and tighten them if necessary.

Further advice about wood furniture care

It is best to keep your furniture in a climate-controlled environment.

Extreme temperature and humidity changes can cause fading, warping, shrinking and splitting of wood.

It is advised to keep furniture away from direct sunlight as sun may damage the finish.

Proper care and cleaning at home will extend the life of your purchase.

Following these important and helpful tips will enhance your furniture as it ages.

