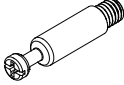

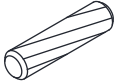
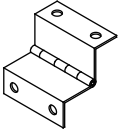
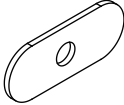
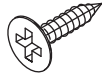
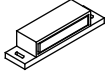
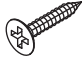


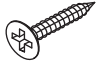

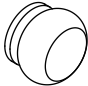
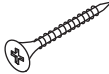
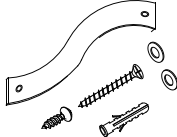
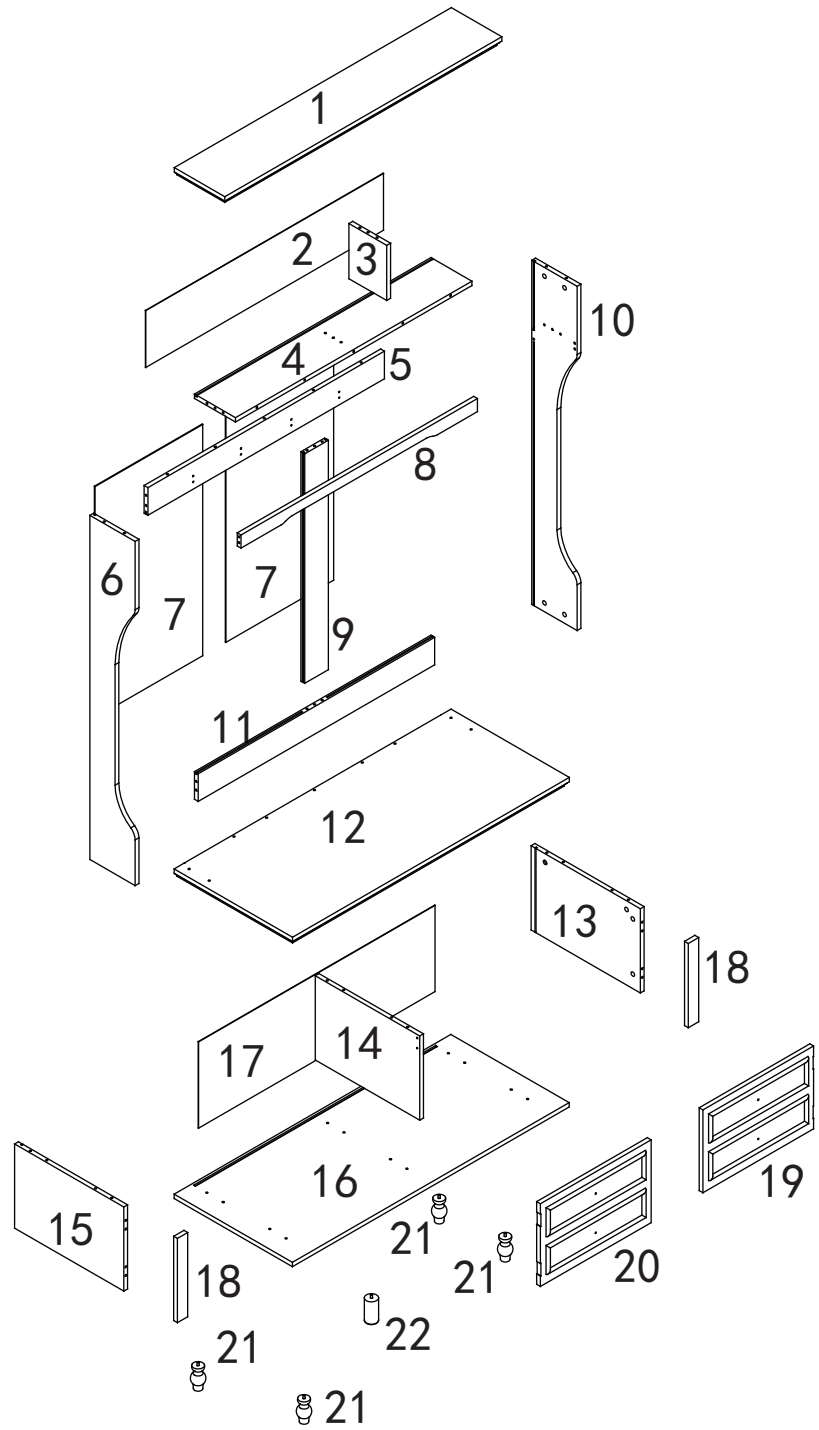
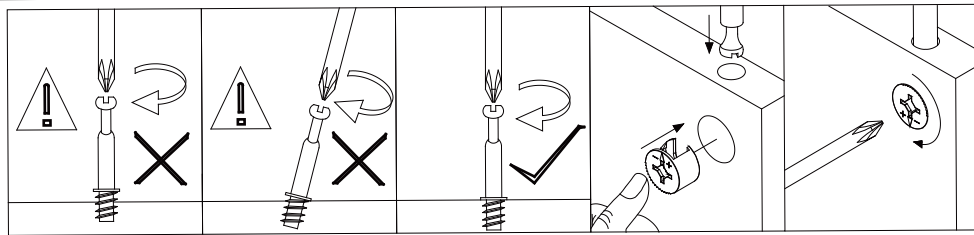


<p>A 36pcs</p>  <p>∅6 x 35 mm</p>	<p>B 36pcs</p> 	<p>C 42pcs</p> 	<p>D 4pcs</p> 
<p>E 2pcs</p> 	<p>F 18pcs</p>  <p>∅3 x 12 mm</p>	<p>G 2pcs</p> 	<p>H 4pcs</p>  <p>∅3 x 14 mm</p>
<p>I 9pcs</p> 	<p>J 4pcs</p> 	<p>K 8pcs</p>  <p>∅3 x 16 mm (BLACK)</p>	<p>L 7pcs</p>  <p>∅4 x 35 mm</p>
<p>M 4pcs</p> 	<p>N 4pcs</p>  <p>∅4 x 25 mm</p>	<p>O 2pcs</p> 	

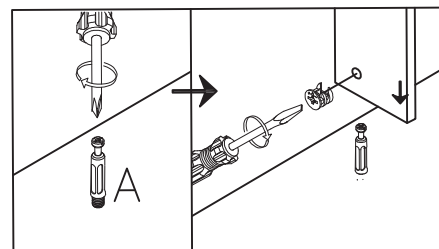
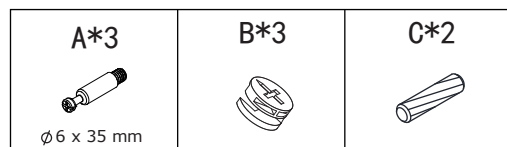
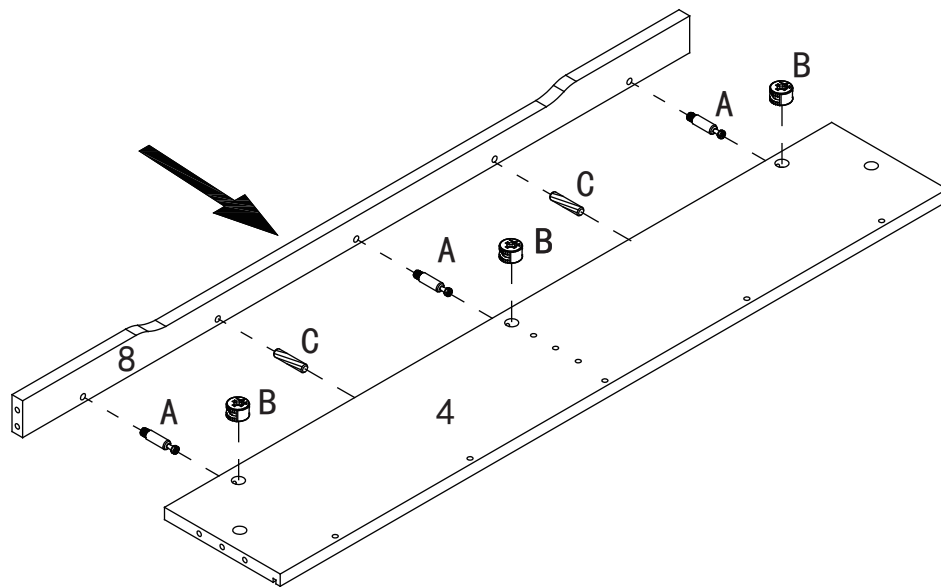


1

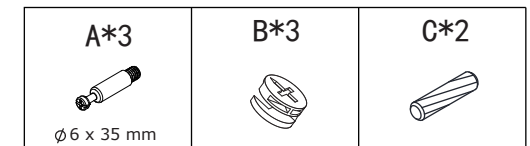
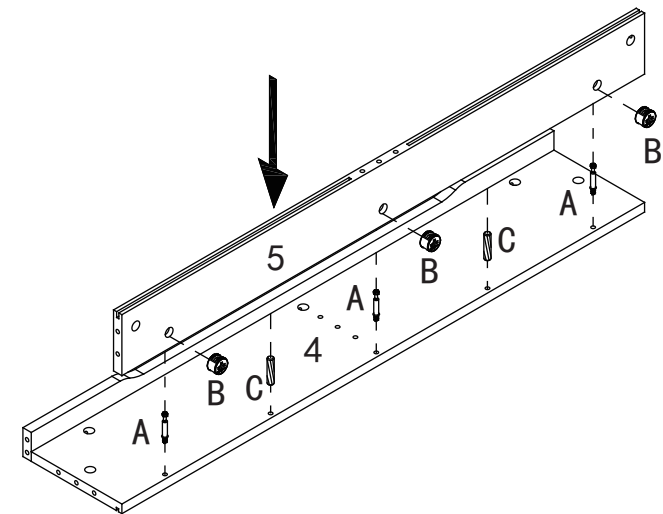


Dear customer, when you use the connector cam fitting to install this product, please align the hole vertically and screw it in slowly.




If you use an electric drill, please adjust it to a gear with a lower speed, and then screw it in vertically. Doing this can make your installation smoother, thank you for your cooperation.

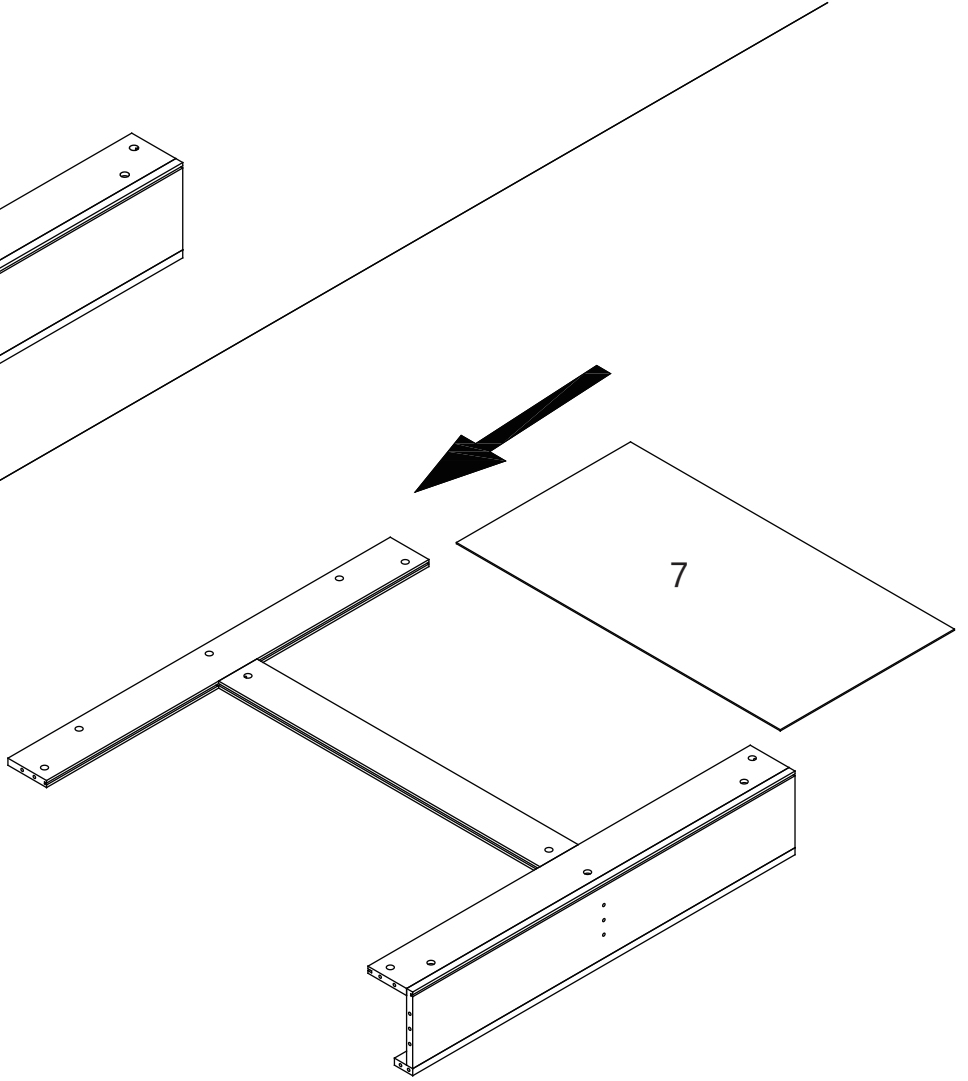
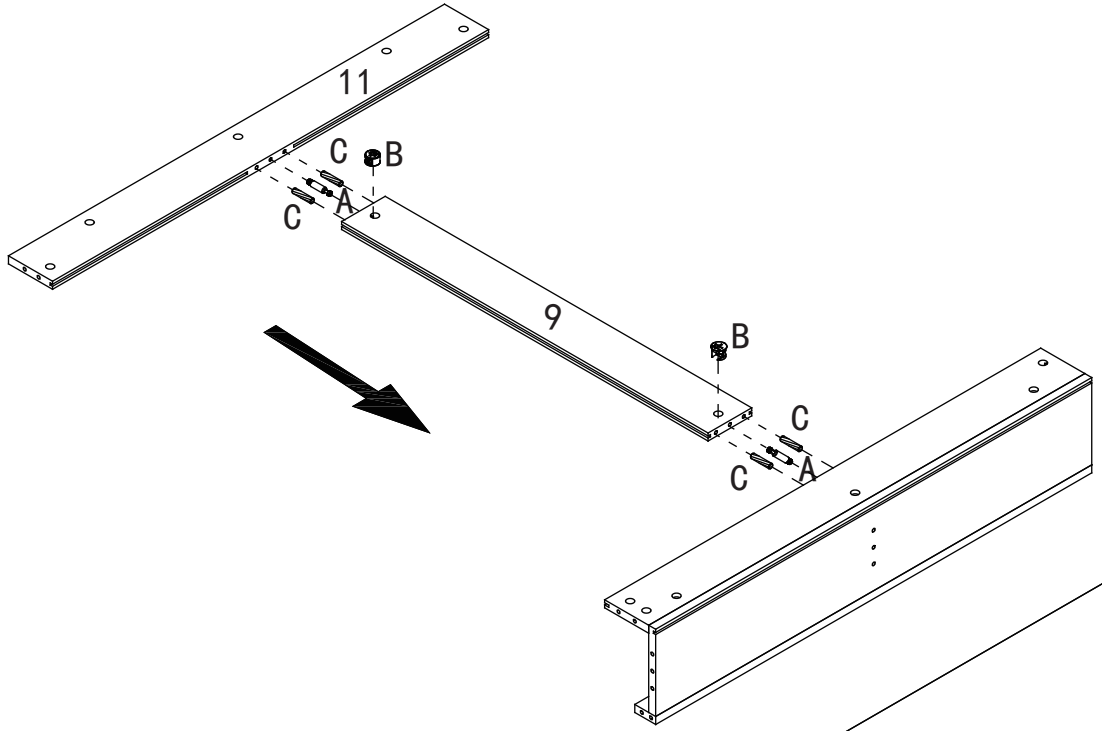


2



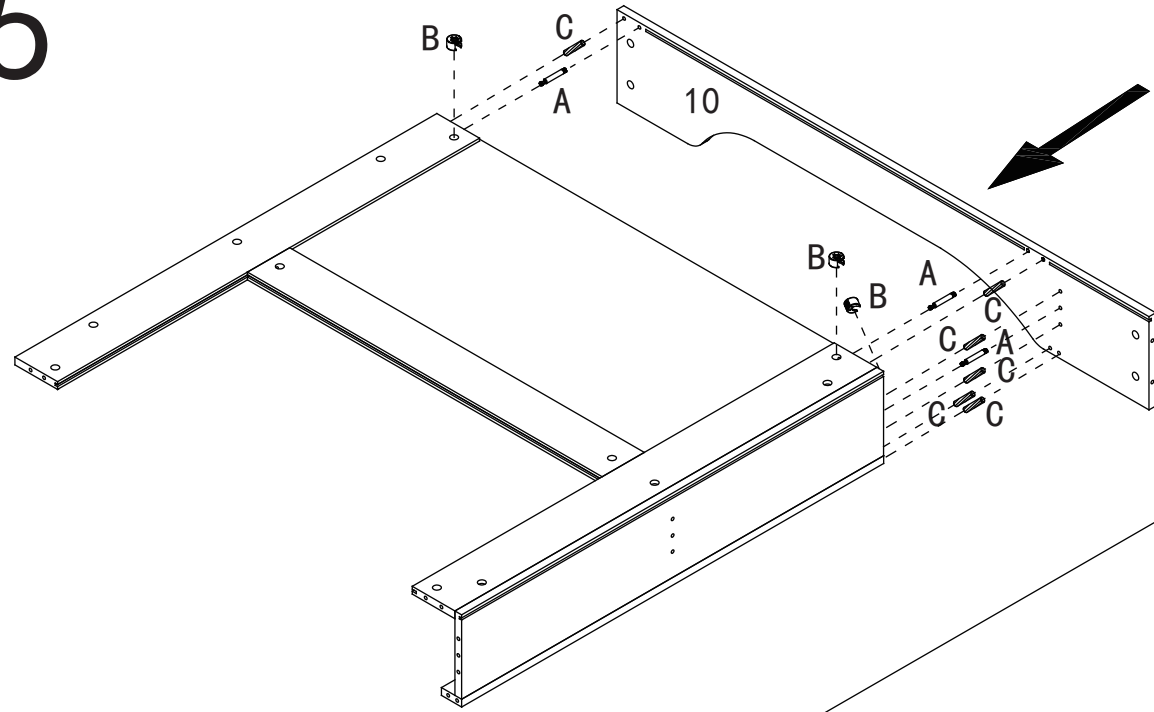
3

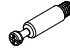


A*2  ø 6 x 35 mm	B*2 	C*4 
---	--	--

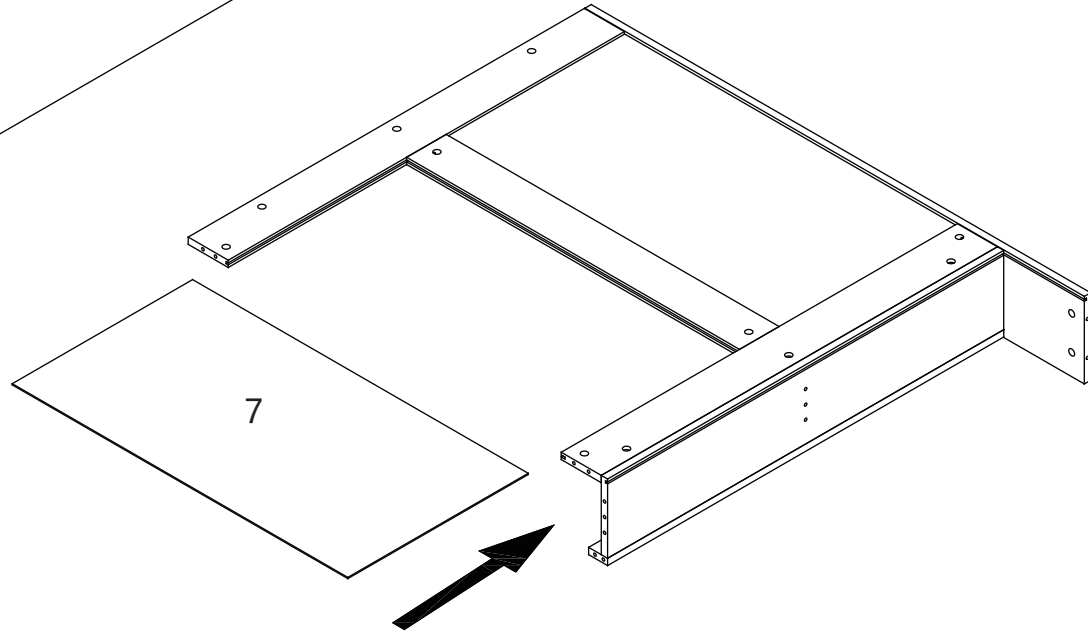


4

5



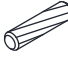


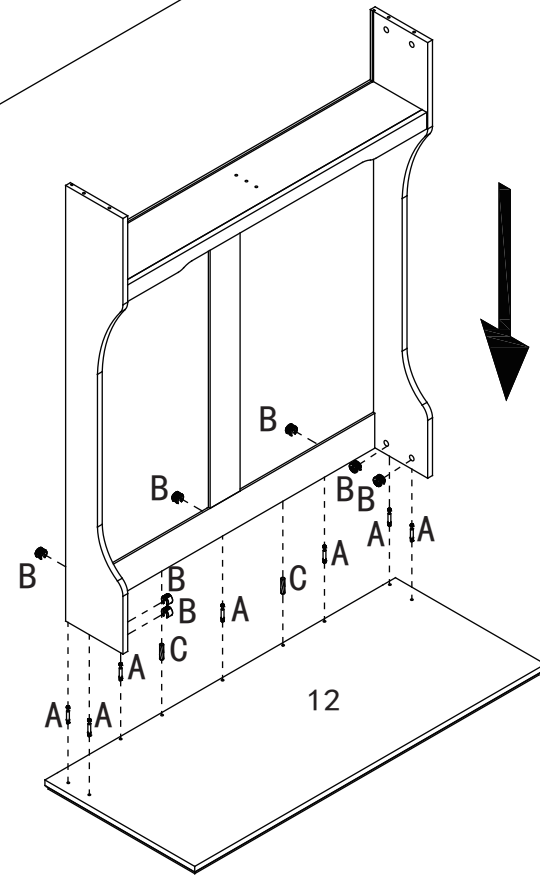
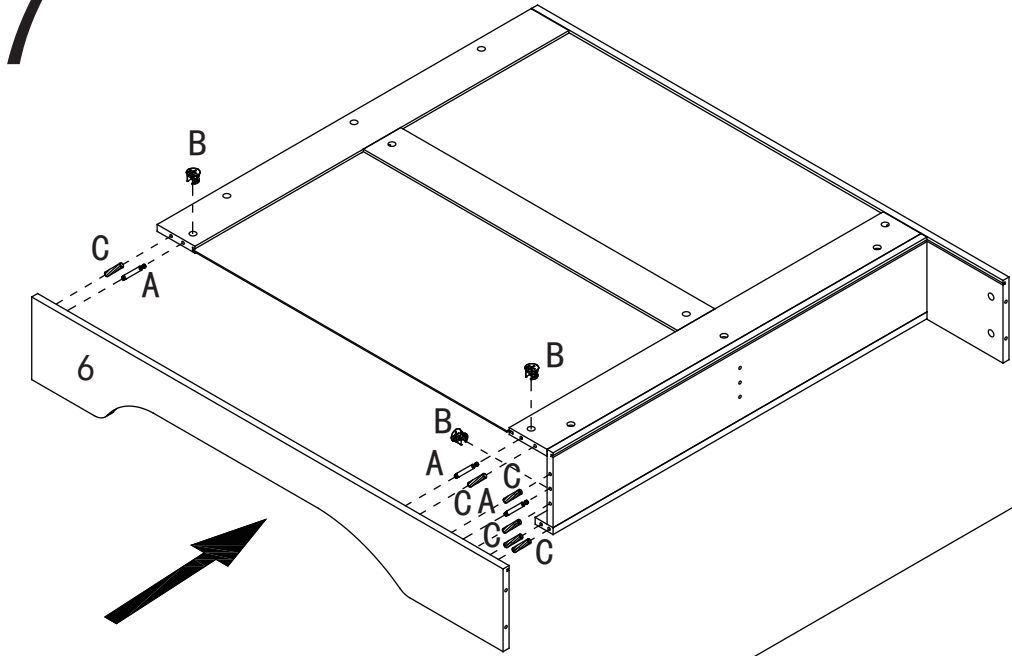
A*3  Ø 6 x 35 mm	B*3 	C*6 
---	--	--






6

7

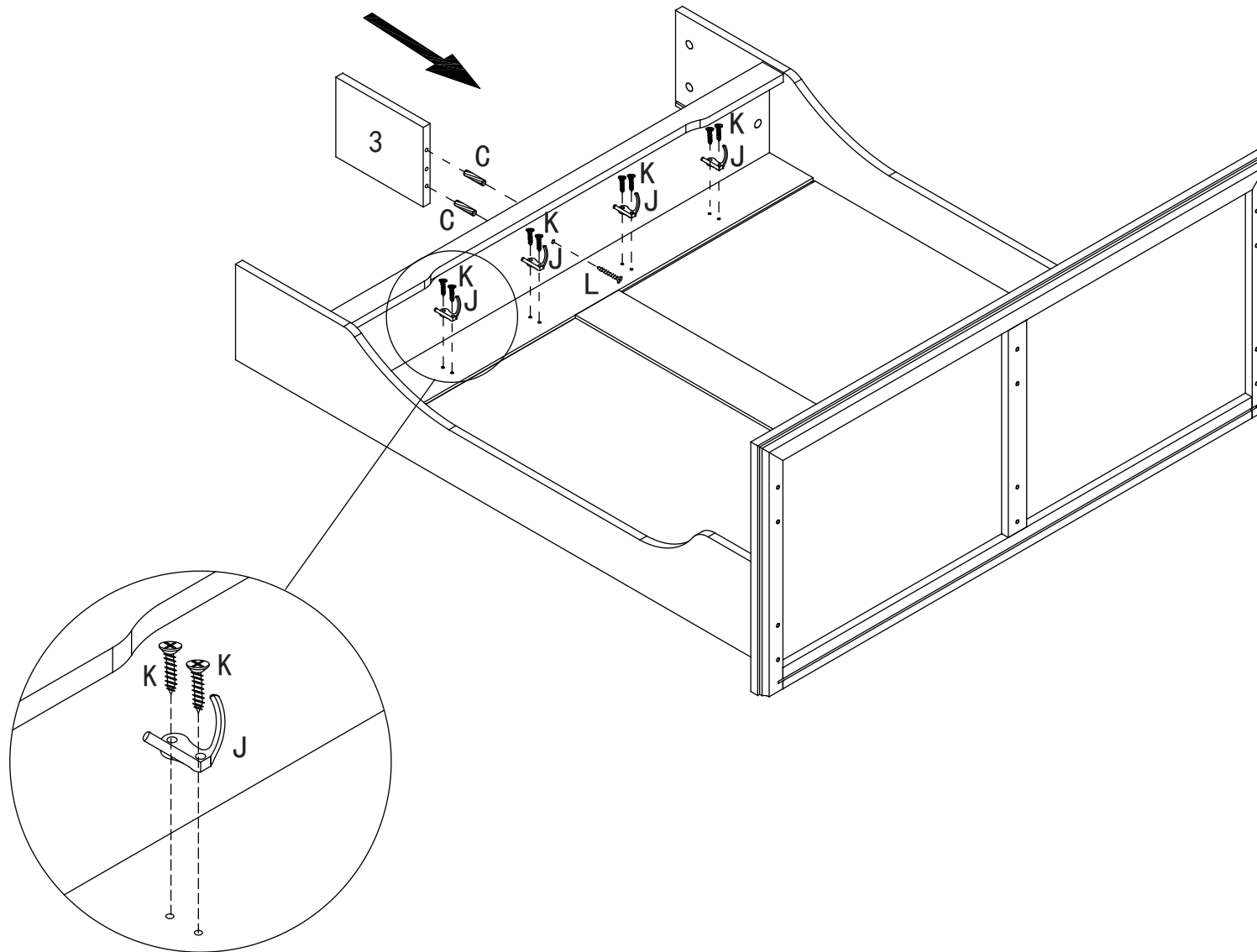
A*3  ø 6 x 35 mm	B*3 	C*6 
---	--	--

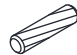

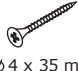



8

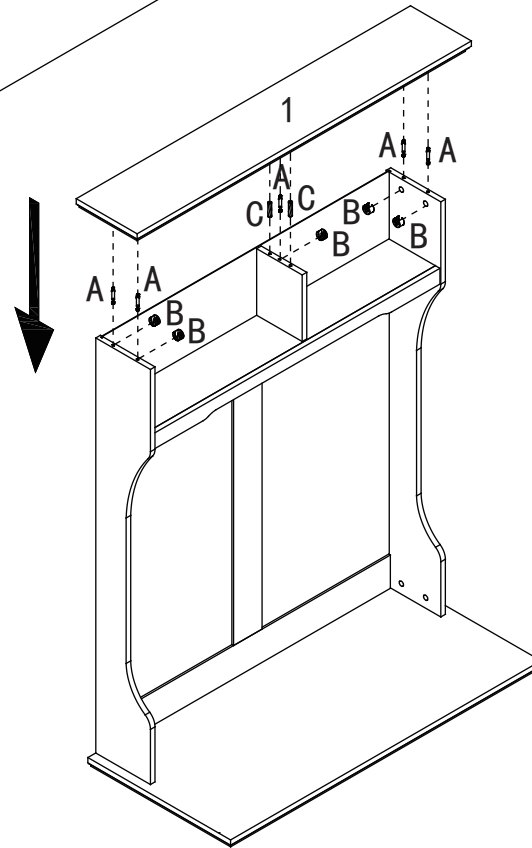
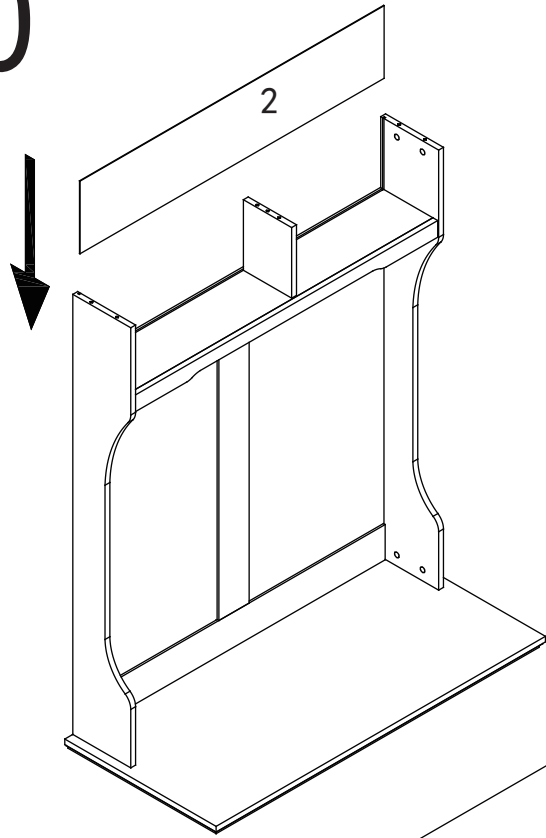
A*7  ø 6 x 35 mm	B*7 	C*2 
---	--	--

9



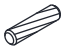


C*2 	J*4 	L*1  ø 4 x 35 mm	K*8  ø 3 x 16 mm (BLACK)
---	---	--	--

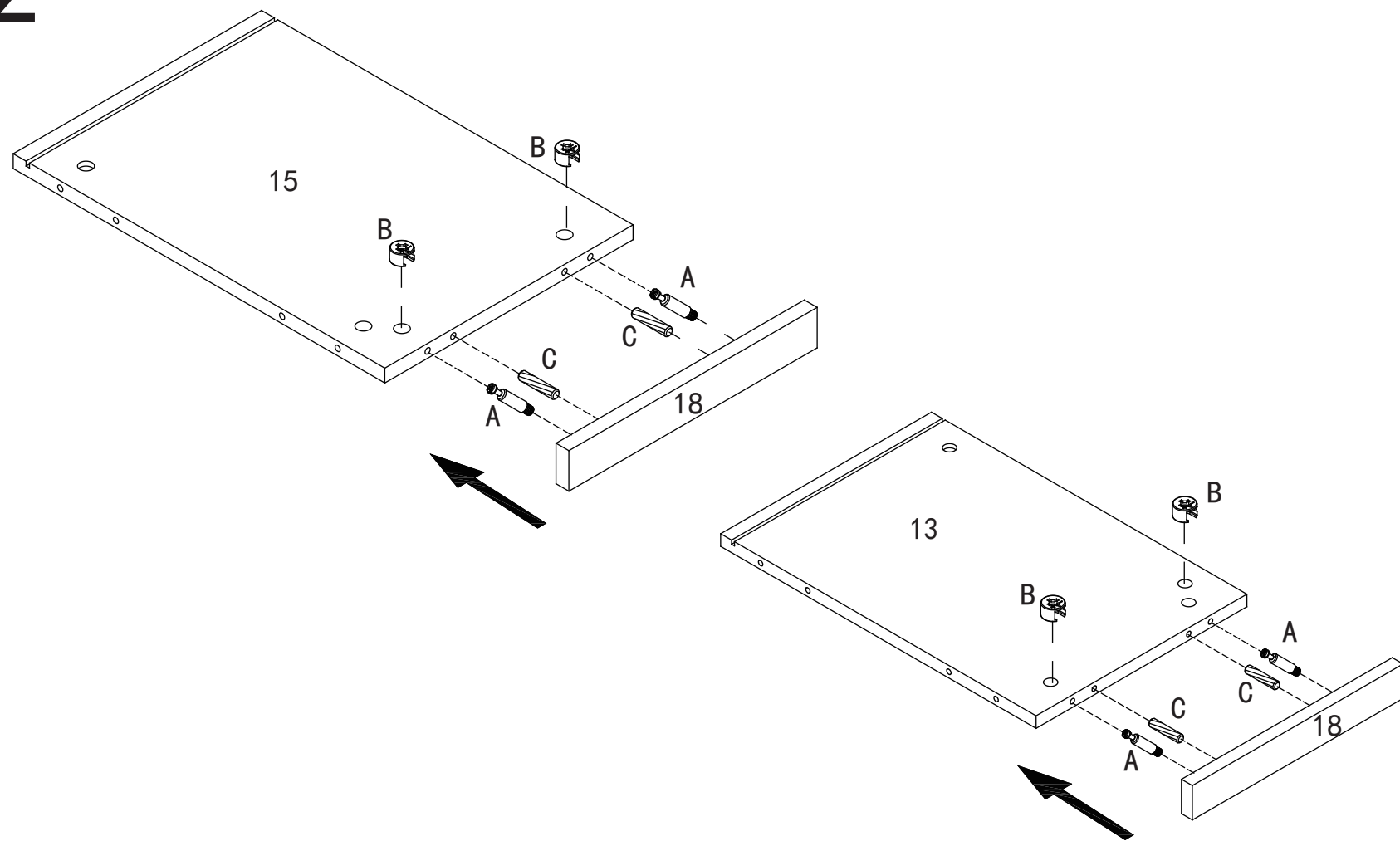
10



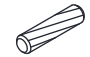


11

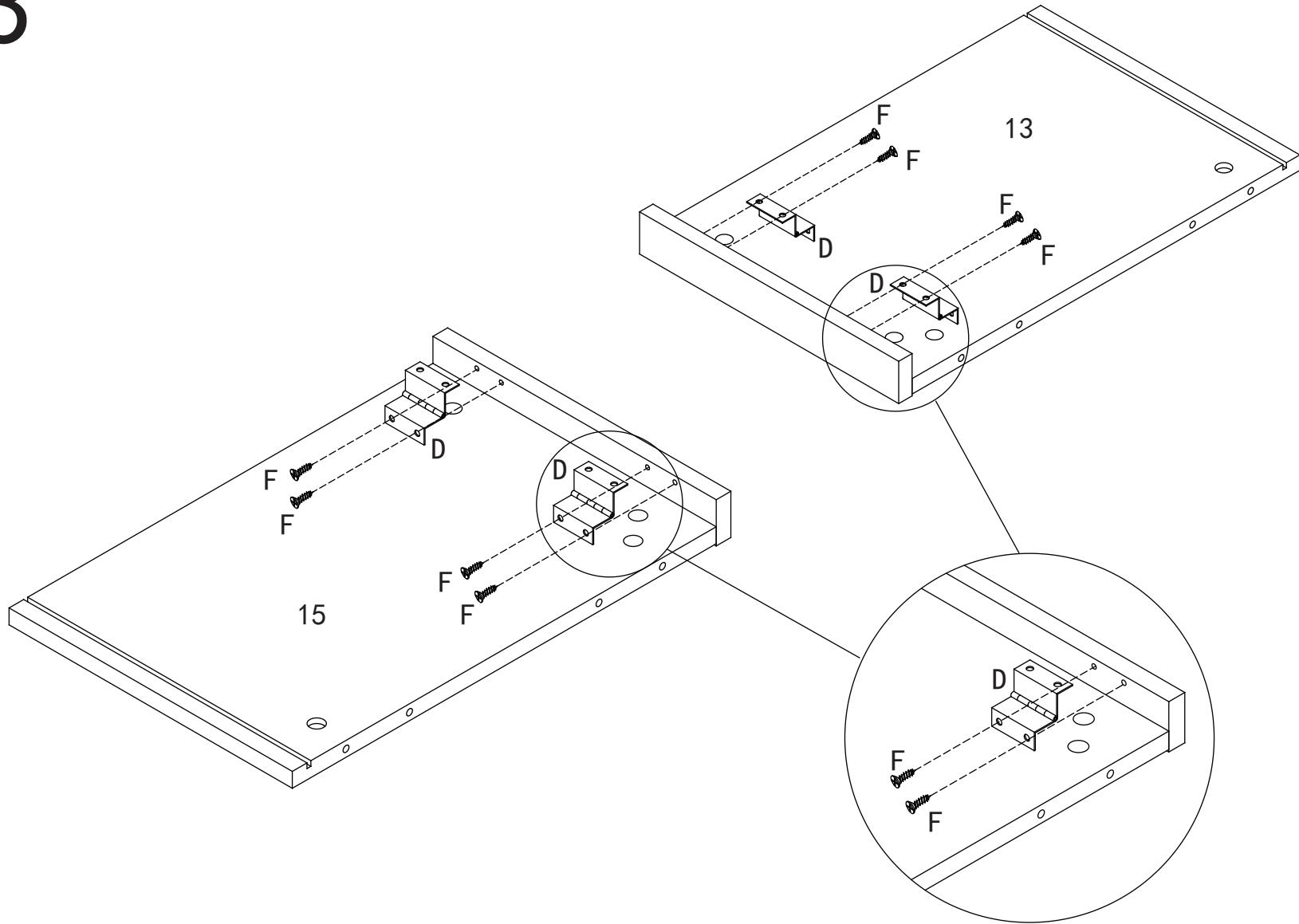
A*5  Ø 6 x 35 mm	B*5 	C*2 
---	--	--

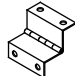

12



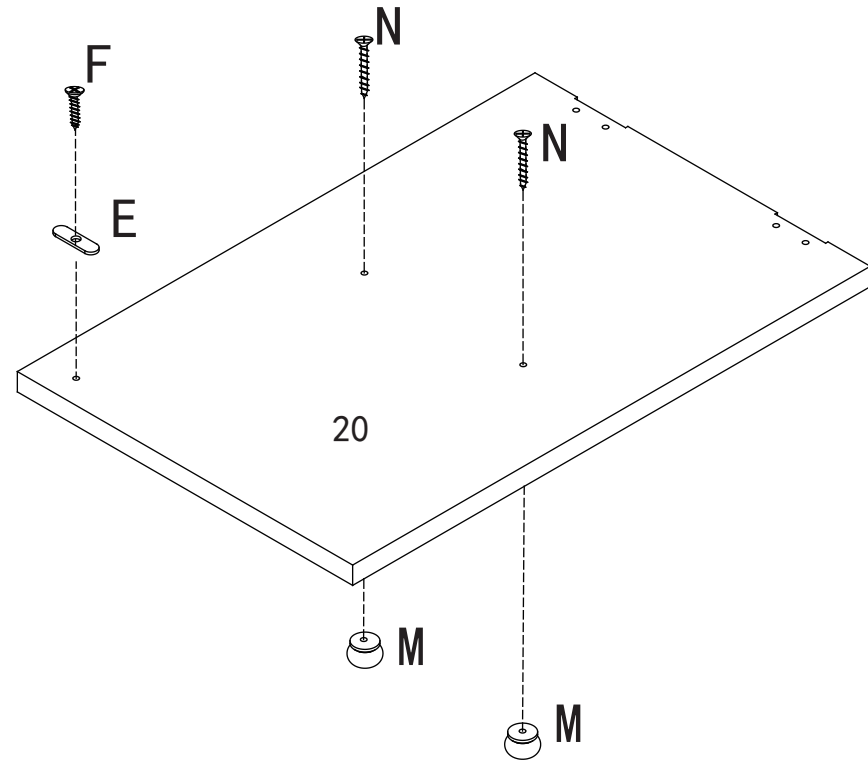
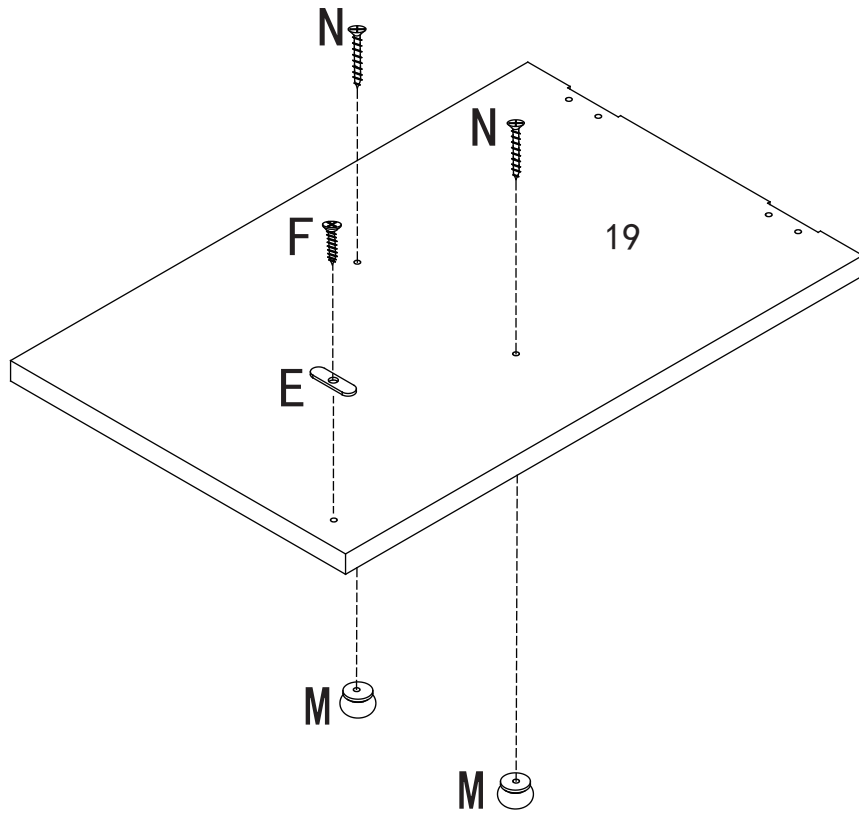
A*4	B*4	C*4
		
∅6 x 35 mm		





13



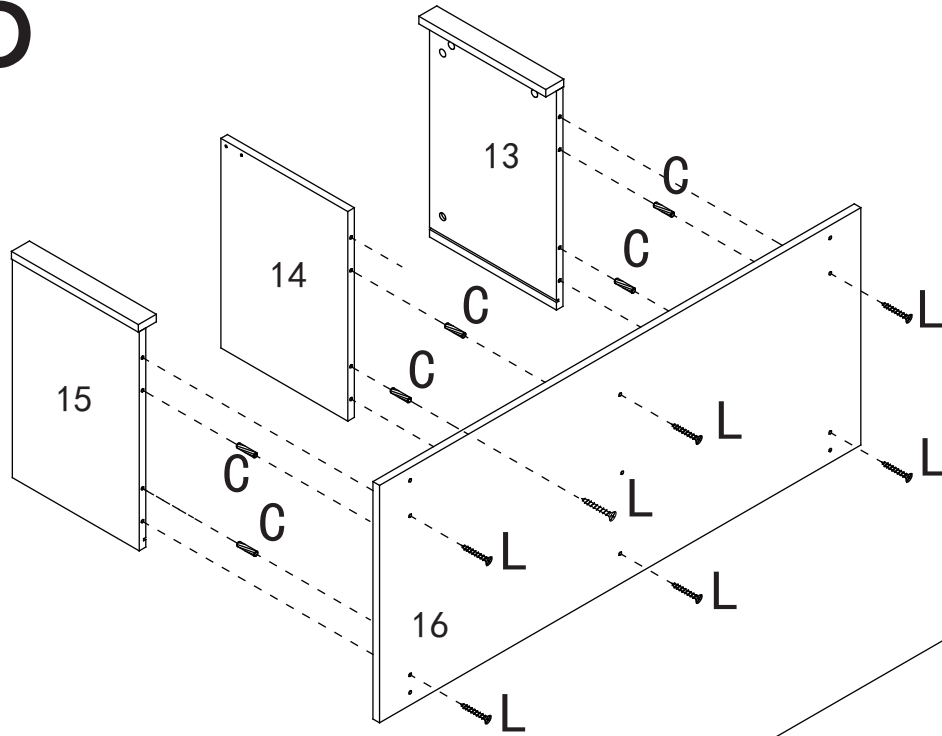
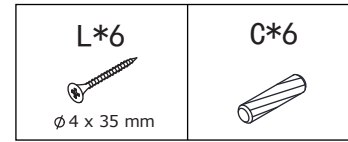
D*4 	F*8  Ø3 x 12 mm
---	---

14

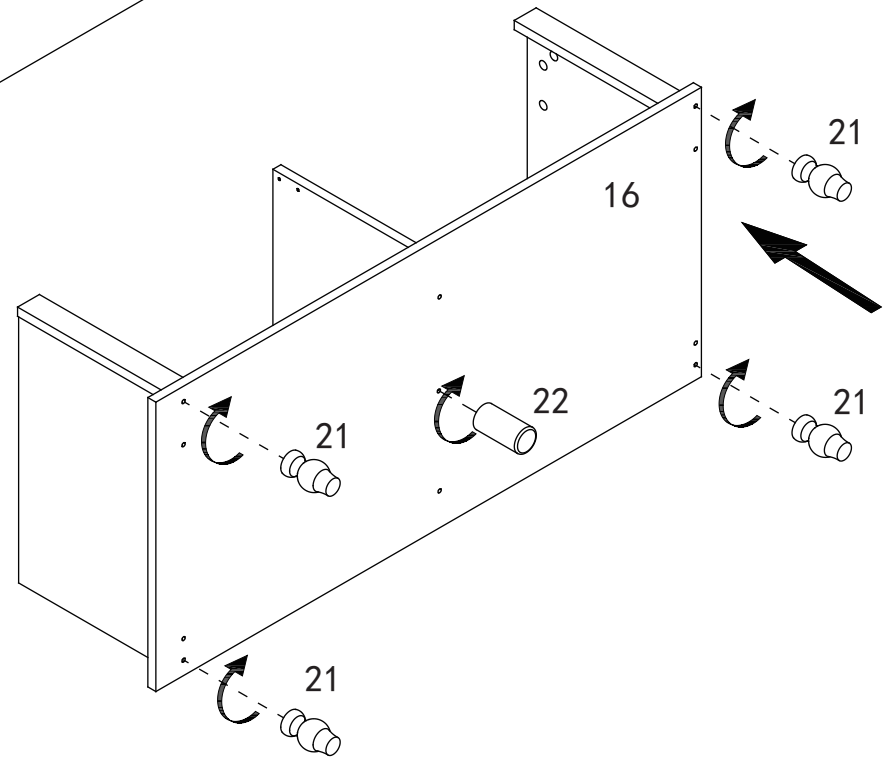


E*2	F*2	M*4	N*4
			
	Ø 3 x 12 mm		Ø 4 x 25 mm

15



16



17

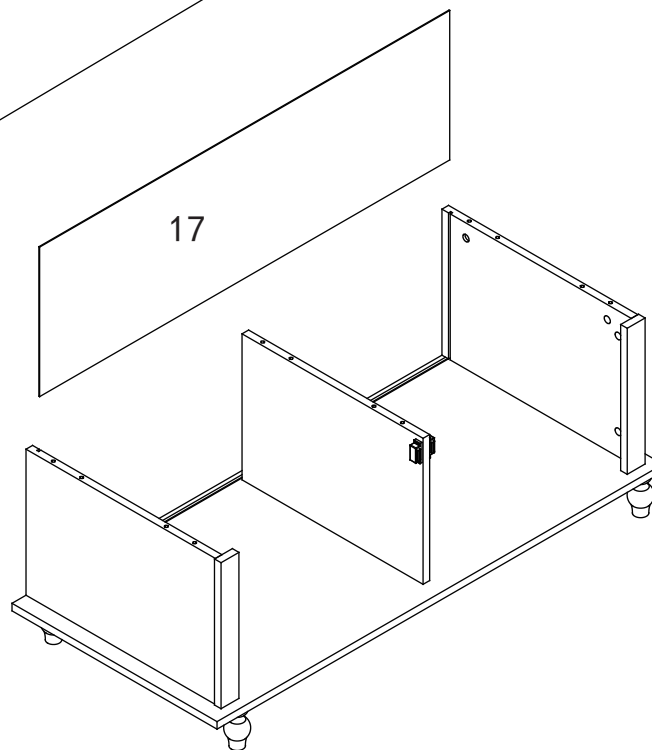
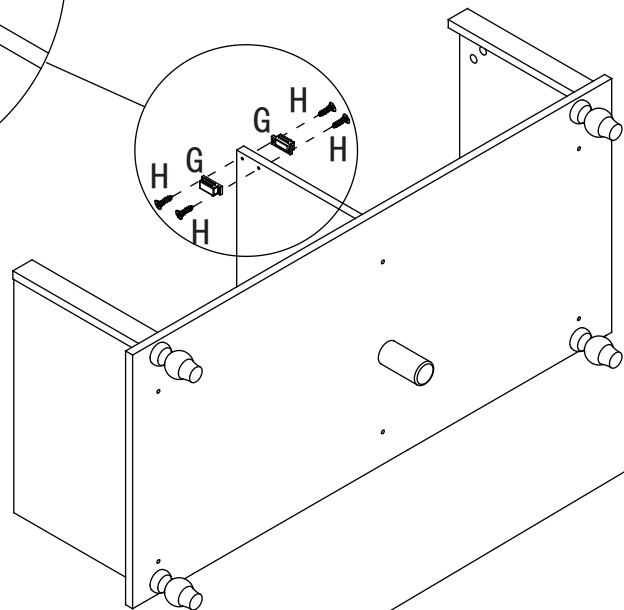
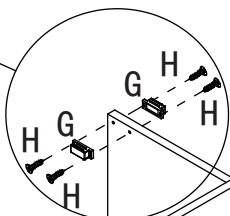
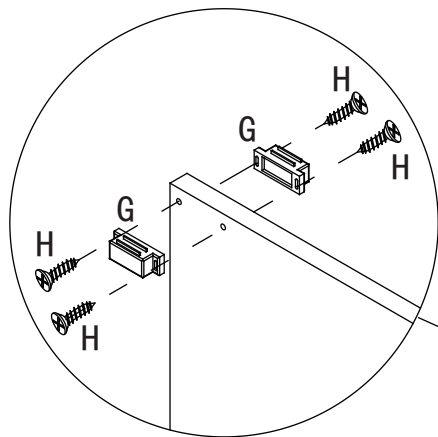
G*2



H*4

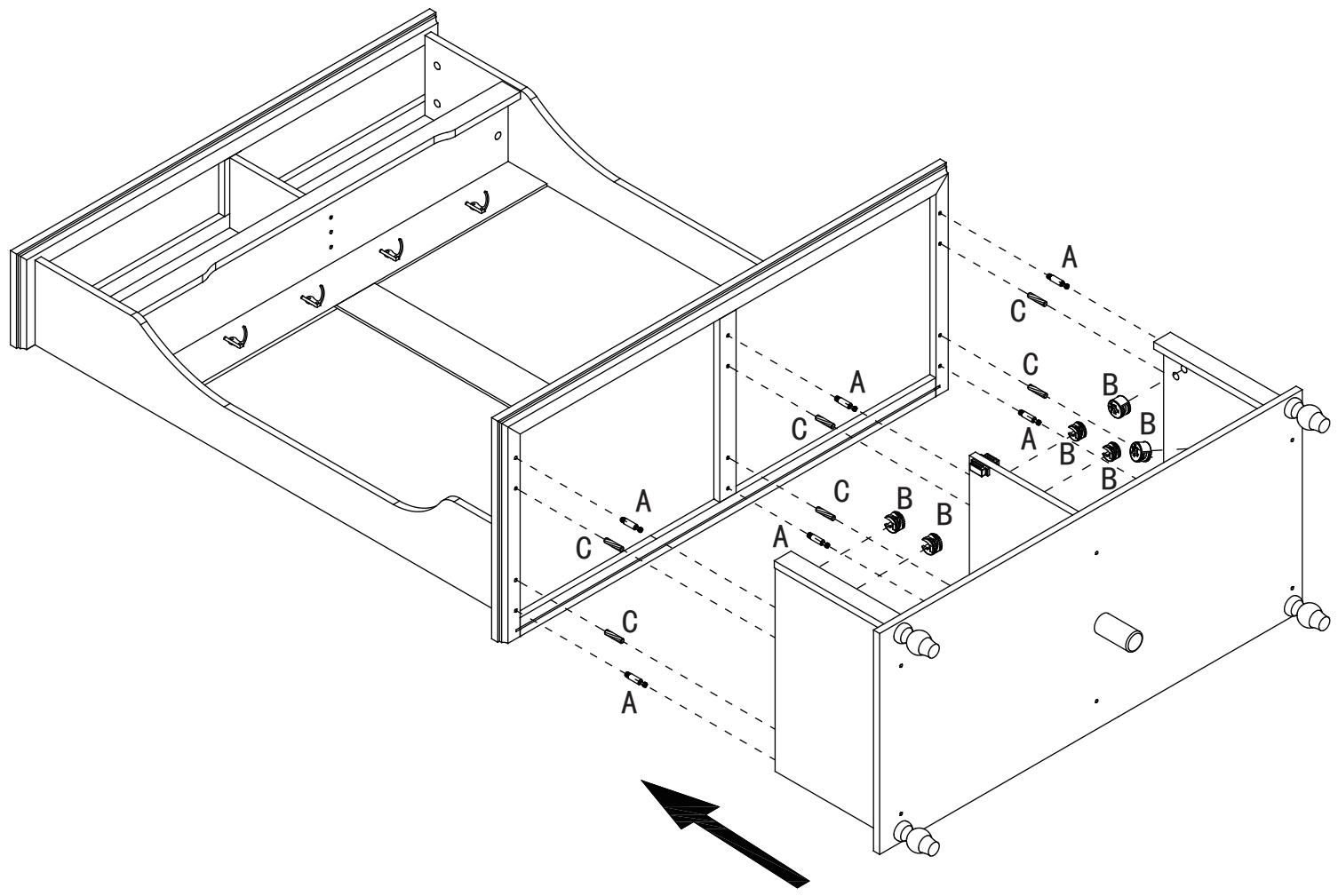





Ø3 x 14 mm



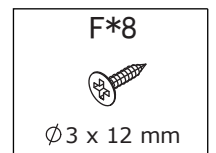
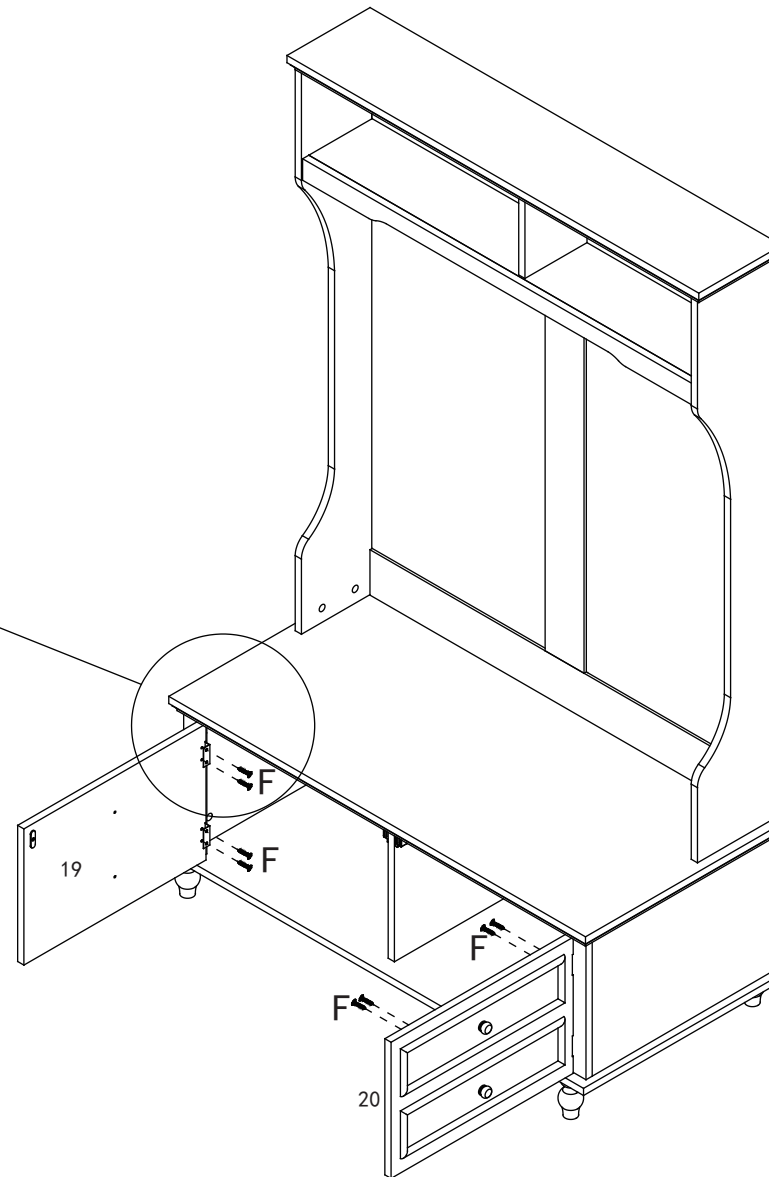
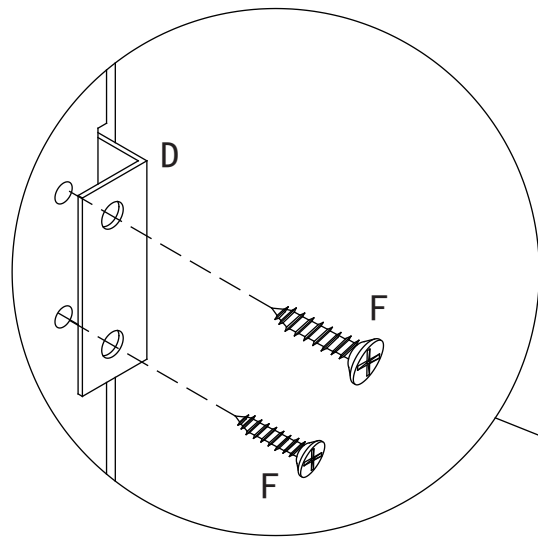
18

19

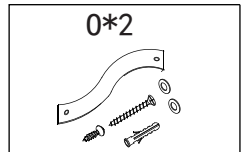
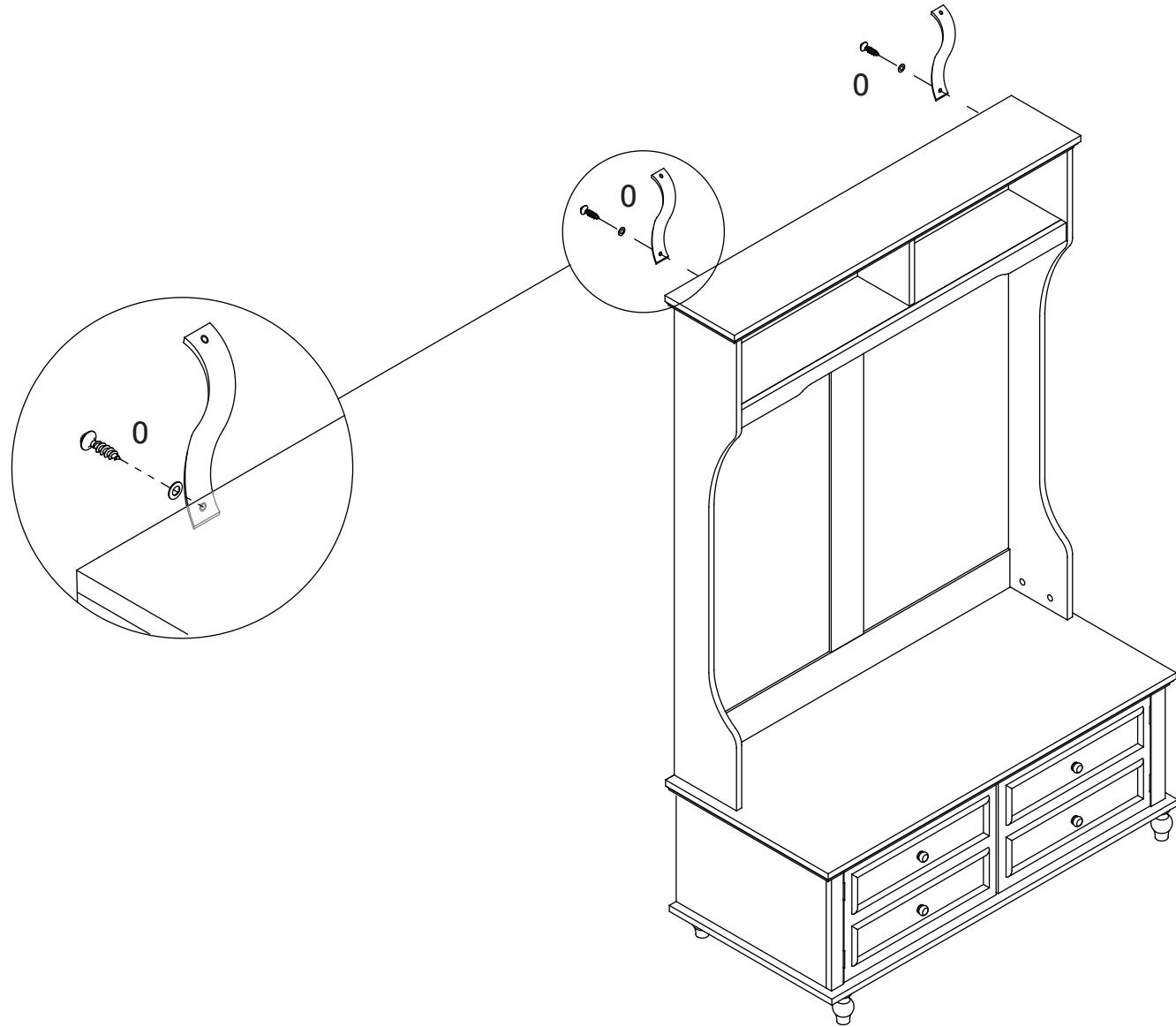


A*6	B*6	C*6
		
Ø6 x 35 mm		

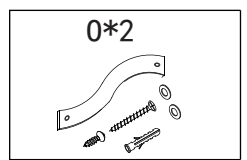
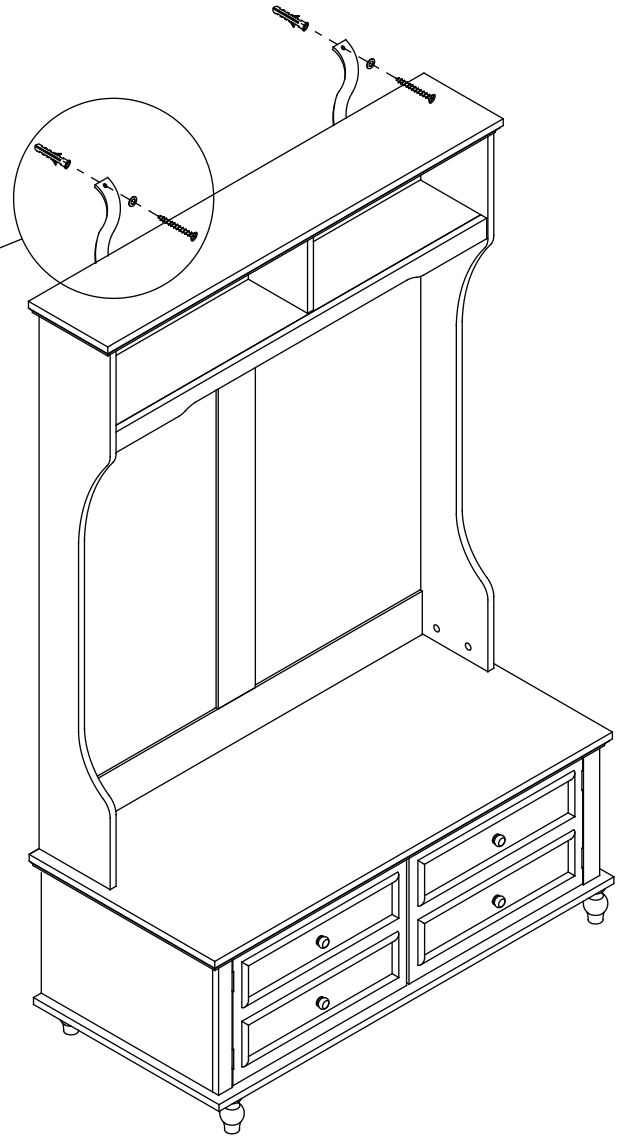
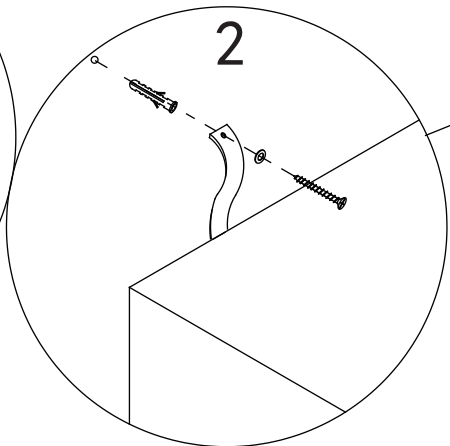
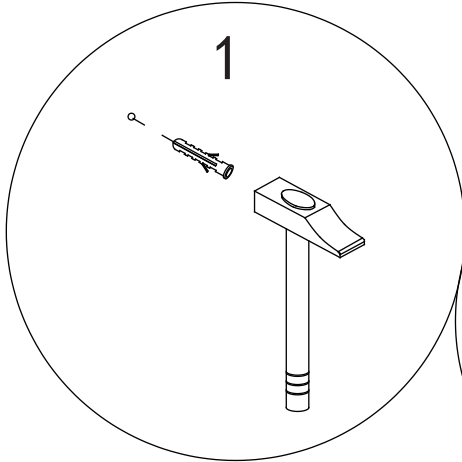
20



21



22



23

