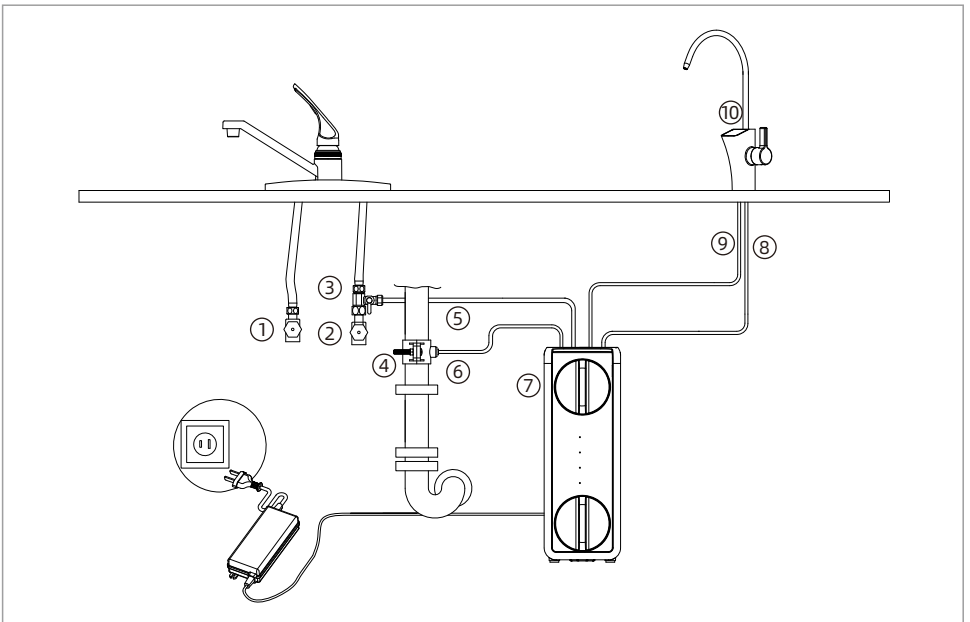
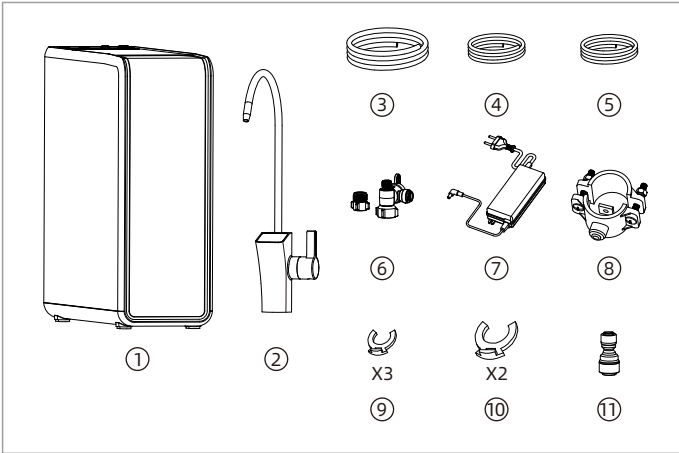


2.2 Product Overview and Installation Illustration



- ① Hot line
- ② Cold line
- ③ Angle Stop Valve
- ④ Drain connector
- ⑤ Water inlet pipe
- ⑥ Drain outlet pipe
- ⑦ Reverse Osmosis System
- ⑧ Faucet power cord
- ⑨ Filtered water outlet pipe
- ⑩ Faucet

Tools and Materials Required

- Hand or electric drill(cordless preferred)
- Adjustable wrenches
- Slotted and Phillips screwdrivers
- Utility knife or scissors
- Safety glasses
- Drill bits: 1"(for faucet hole), 1/4"(for drainpipe)
- Safety mask



NOTICE

Not all tools may be necessary for installation. Read installation procedures before starting to determine what tools are required.

3 Installation

3.1 Installation Instructions

Read all installation and operating instructions before installing and using your RO system.



NOTICE

- Please check if there is sufficient space for installing the system itself, its accessories, connection.
- Under no circumstances should the system be installed outdoors.
- The environment where the system is installed should adhere to appropriate hygiene and sanitation conditions. Avoid any external dripping liquids from pipes or drains, etc, onto the system.
- This system should be placed on a stable and at the surface.
- Keep the system away from heat. It shall not be placed in a place that may have in-inflammable gas leakage.

How to use the quick-connector fitting

To connect

