

# INSTALLATION INSTRUCTIONS

Item#P954/P955-691-L (New. 2020/9/27)

## READ AND SAVE THESE INSTRUCTIONS

**WARNING! SHUT POWER OFF AT FUSE OR CIRCUIT BREAKER.**

**AVERTISSEMENT! COUPER LE COURANT AU NIVEAU DES FUSIBLES OU DU DISJONCTEUR.**

### PREPARATION (Fig. 1)

1. Shut off power at the fuse box or circuit breaker box and remove the old fixture including the mounting hardware.
2. Carefully unpack your new fixture and lay out all the parts in a clean area. Take care not to misplace any small parts necessary for installation.

### ASSEMBLING THE FIXTURE (Fig. 1)

3. Attach the crossbar (A) to the junction box using mounting screws (B) (Size: #8-32N\*L0.5"). The side of the crossbar marked "GND" must face out.
4. Place the lock washer (C) and hex nut (D) over the end of the all thread (E). Then thread the all thread (E) into the crossbar (A). Tightly secure the all thread (E) with hex nut (D).

### CONNECTING THE WIRES (Fig. 2)

5. Connect the electrical wires as shown in figure 2, making sure that all wire connectors are secured. If your junction box has a ground wire (green or bare copper), connect the fixture's ground wire to it. Otherwise, connect the fixture's ground wire directly to the crossbar (A) using the green screw provided.
6. Tuck the wire connectors neatly into the junction box and raise the ceiling pan (F) to the ceiling.
7. Hold the ceiling pan (F) over the all thread (E). Adjust the length of the end of all thread (E) protruding through the center hole of the ceiling pan (F) and secure with hex nut (D). Thread the coupling (G) into the all thread (E).
8. Thread all thread (H) to coupling (G) and tighten with hex nut (D).
9. Secure cup (I) into the all thread (H). Slide glass shade (J) over all thread (H) and secure using plastic bushing (N) and screws (K).
10. Place plastic gasket (L) over the all thread (H) and tighten with finial (M).

**CAUTION/ATTENTION: When handling the fixture, do not apply pressure to the LEDs. Hold the fixture by the base or ceiling pan (F) only.**

### Replacing LED module (Fig.3)

The LED module can be replaced by a qualified electrician without cutting the wires and without damaging the decorative element to which the fixture is attached. See installation steps for more details (Fig.3)

**Warning: Turn off power at the fuse box or circuit breaker before replacing the LED module.**

- a. Loosen finial (M) and remove the plastic washer (L).
- b. Loosen screws (K) and remove the plastic bushing (N) and glass shade (J).
- c. Press the button of the printed "L" quick connector on LED module (N) with screwdriver (not included) to disconnected the black wire, and then disconnect the white wire from the printed "N" quick connector on LED module (N).
- d. Remove the cup (I), then loosen screws (O) and carefully remove the led module (N) from the ceiling pan (F).
- e. Reverse steps a-d for installing the new LED module.

**Note: The LED module should be provided by a specified supplier.**

Your installation is now complete. Return power to the outlet box and test the fixture.

**Note: Illustration (Fig. 1) on this manual is for installation purposes only. It may or may not be identical to the fixture purchased.**

Dimmable with ELV and/or LED compatible wall dimmer switches.

**IMPORTANT: FIXTURE SHOULD BE INSTALLED BY A QUALIFIED ELECTRICIAN TO ENSURE PROPER WIRING AND INSTALLATION.**

Fig. 1

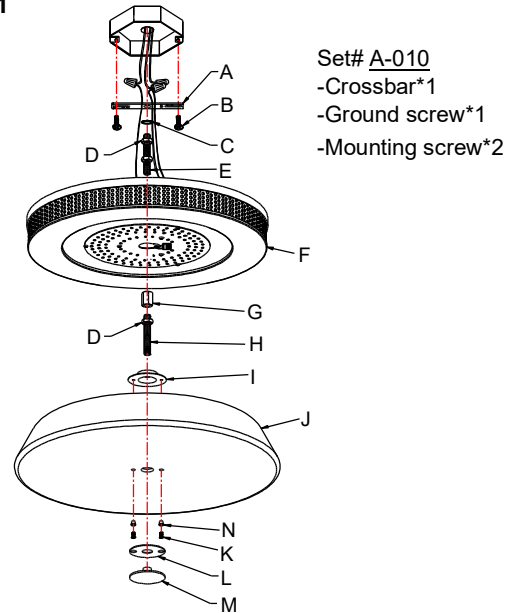


Fig. 2

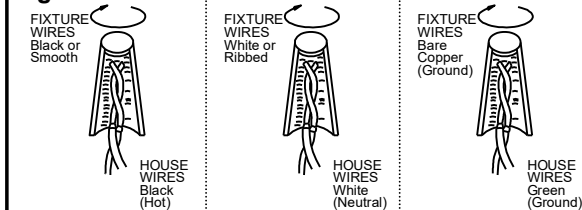


Fig. 3

