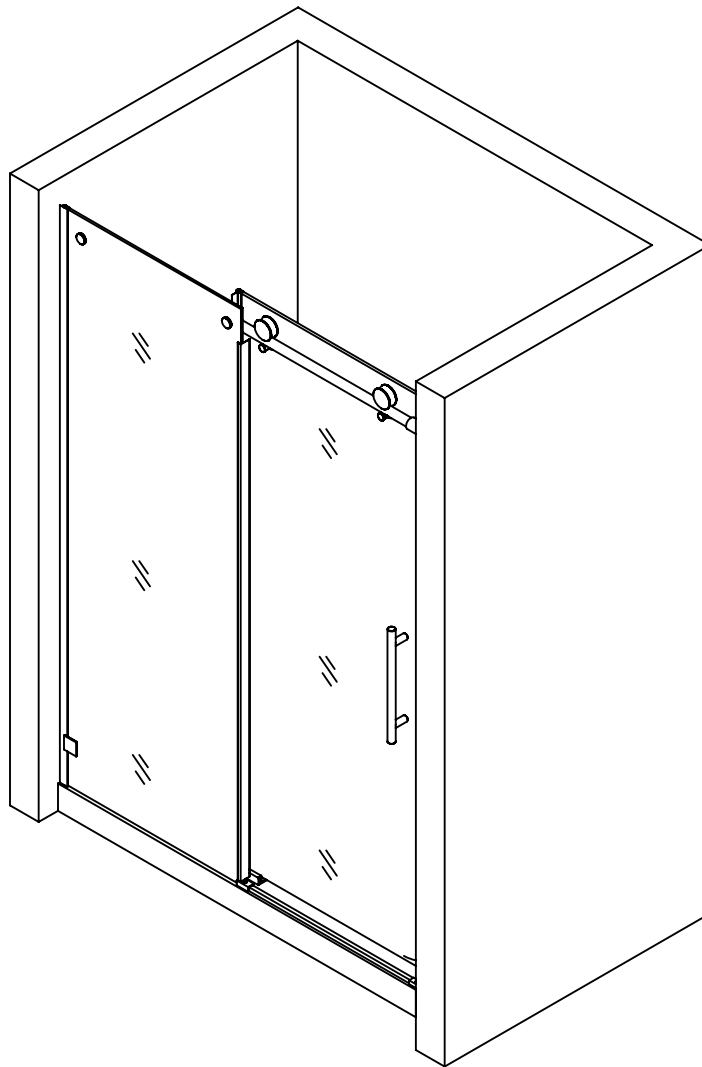


Shower Door Installation Instructions

SS04H



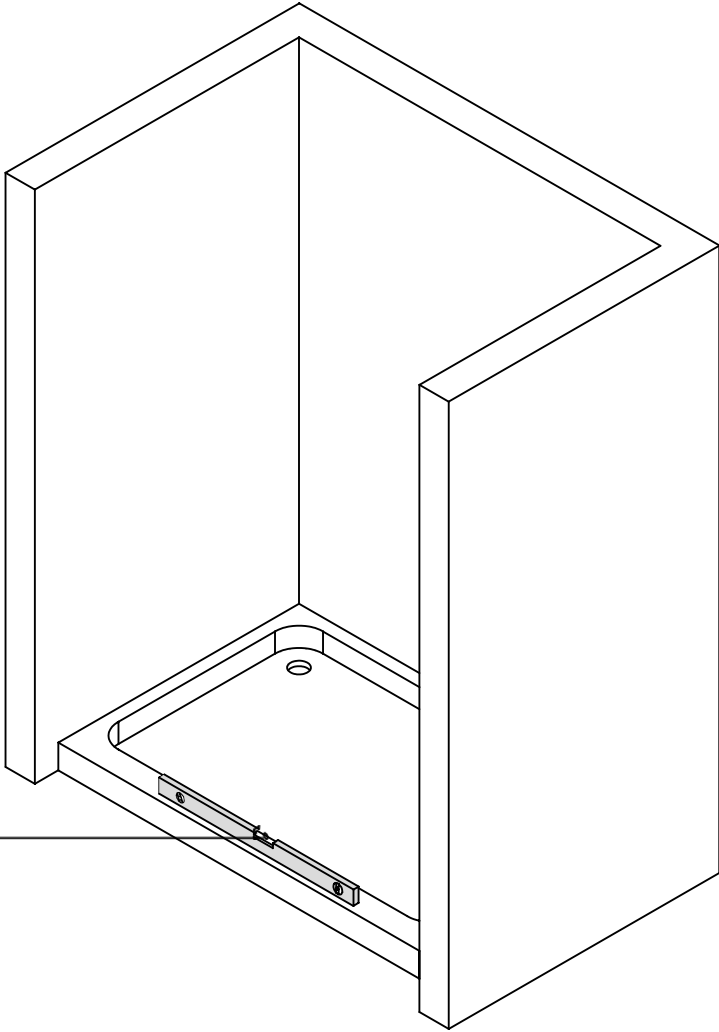
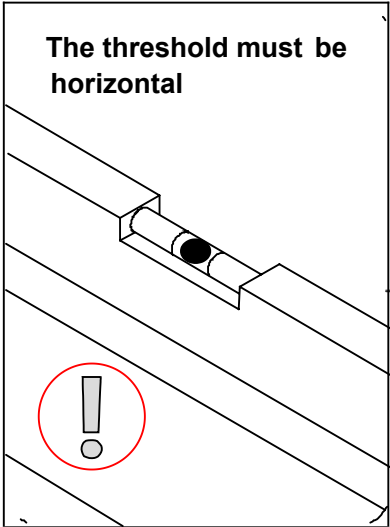
Plz do not just return when meeting difficulties in installation, just contact your seller for help.

Model Specific Preparation

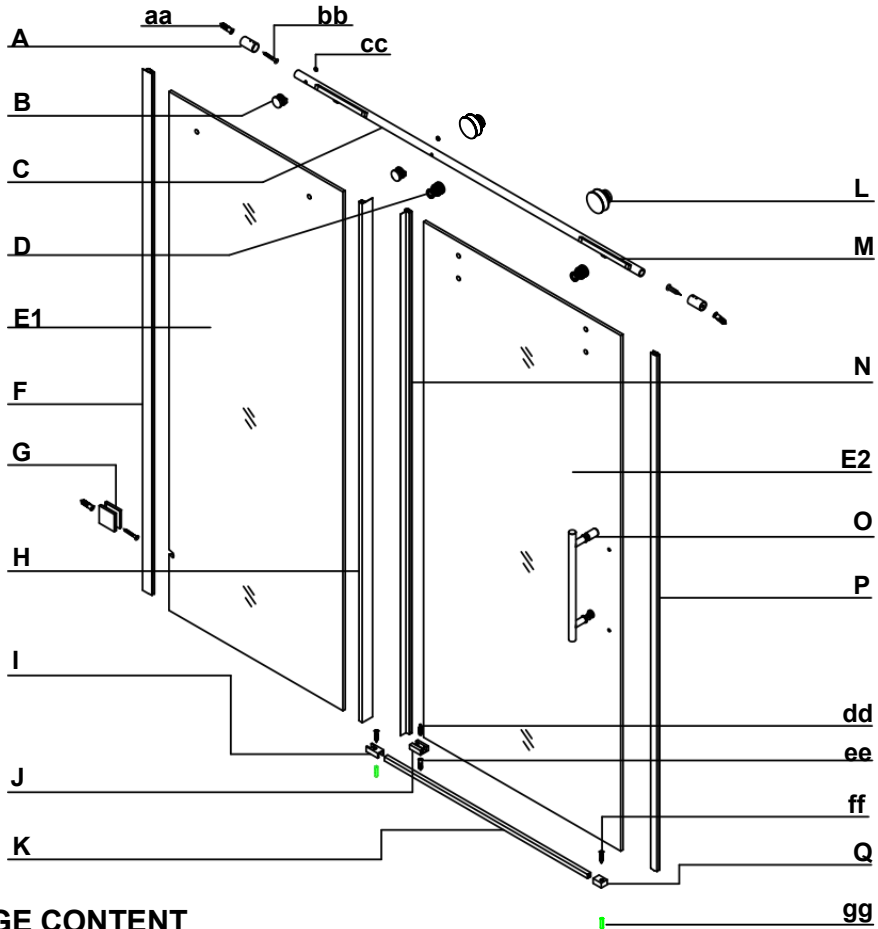


REQUIRED:

Verify that the threshold is level by using a straight edge or a level tool. Adjust the threshold as necessary to ensure it is perfectly horizontal



PACKAGE CONTENT

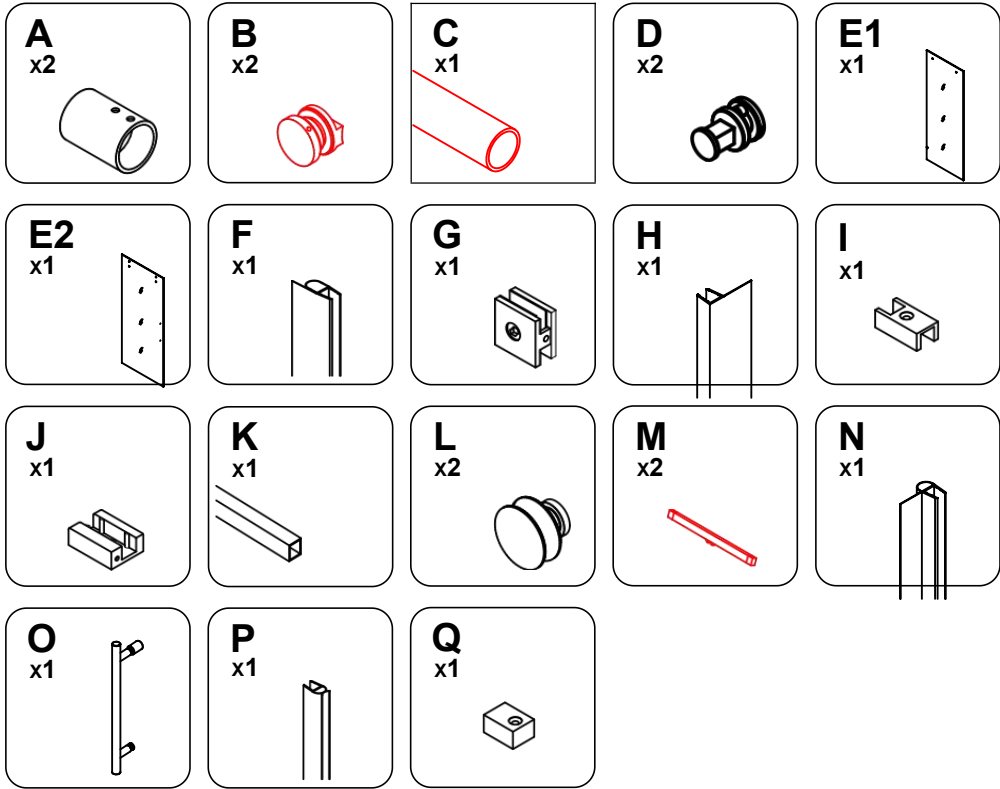


PACKAGE CONTENT

PART#	DESCRIPTION	QTY	PART#	DESCRIPTION	QTY
A	Slide rail support	2	J	Bottom Guide Block	1
B	Fixed Panel Bracket	2	K	Threshold Water Dam	1
C	Guide rail	1	L	Ø55 Sliding Roller	2
D	Buffer Starter	2	M	Soft-Close	2
E1	Fixed panel	1	N	Waterproof Seal	1
F	Side water barrier strip	1	E2	Sliding panel	1
G	Fixed glass clamp	1	O	Handle	1
H	Water Barrier Seal	1	P	Waterproof Seal	1
I	Glass Clamp Water Dam Connector	1	Q	Wall Side Water Dam End Caps	1

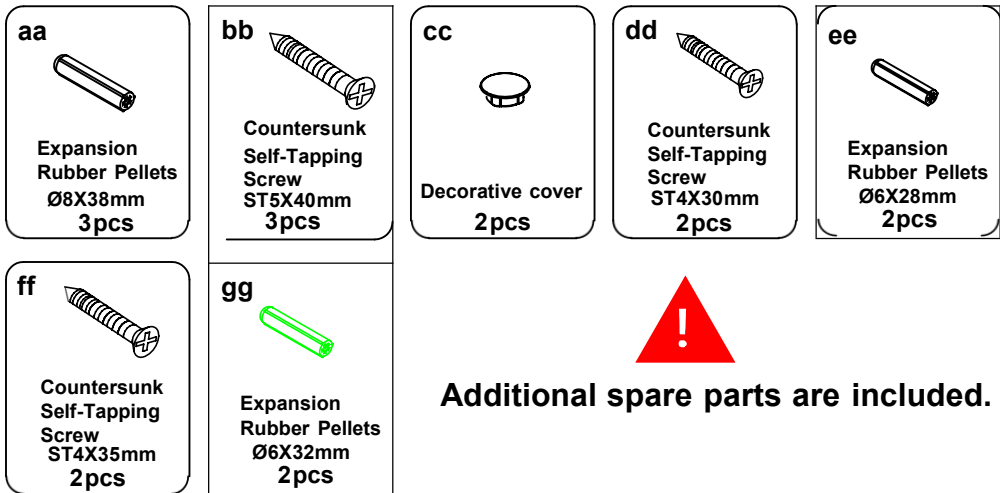
NOTE Please inspect all parts for missing items before installation. If any part is missing, please contact us.

PACKAGE CONTENT



2 pieces of **Fixed Panel Bracket (B)** and 2 pieces of **Soft-Close (M)** are pre-installed on **Guide rail (C)**

HARDWARE CONTENT



NOTE Inspect all parts for any missing items prior to installation!
Contact us if any parts are missing.


TOOLS REQUIRED

Drill Bits




Ø1/4" & Ø5/16" (6 & 8mm) dia.
HSS


Screw Driver



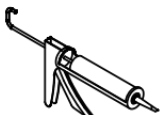
Electric Drill



Level



Silicone




Measuring Tape



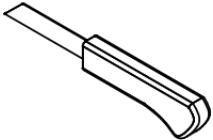
Soft Head Hammer



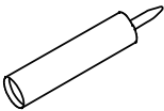
Pencil



Knife



Sealant



**Masonry Drill Bit For Tile
Ø6mm**



Safety Glasses



Gloves



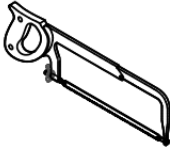
Carpenter's Squarer



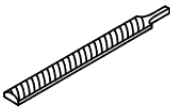
Masking or Painter's Tape



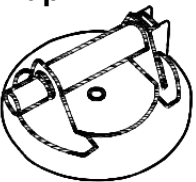
Hack Saw



Metal File



Glass suction Cup



SAFETY INFORMATION

CAUTION

Please carefully read the following important safety information before handling or installing this shower door. There is a risk of serious injury while handling this product.

To minimize these risks, please note:

- Always wear safety glasses and gloves while handling.
- Always follow the installation instructions.
- Inspect the glass for damage before installation.
- Extreme caution should be taken while handling the glass during installation, as the tempered glass may shatter if it comes into contact with a hard surface.
- Do not cut or modify the tempered glass, as it will shatter if cut.
- Carefully remove the product from its packaging and keep the packaging until the installation is complete.
- Inspect all parts for damage or missing items. If there is any damage or missing parts prior to installation, please contact your seller for help.
- Cover the drain with tape to prevent the loss of small parts.
- The shower base and finished walls should be installed before beginning the shower door installation.
- During installation, protect the shower floor with a drop cloth to prevent damage.
- This product should be installed by two people who are familiar with construction requirements. Professional installation is recommended!
- Keep this installation manual for future reference.

NOTE: Two people should perform this installation.



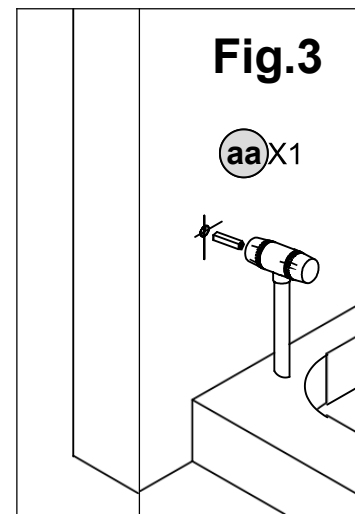
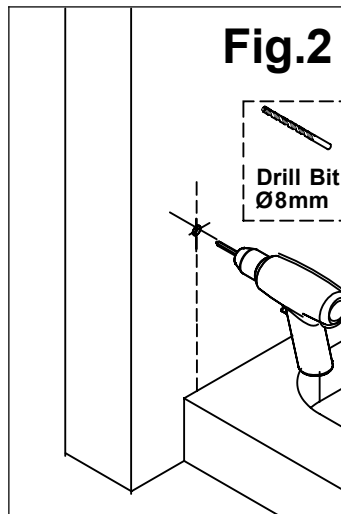
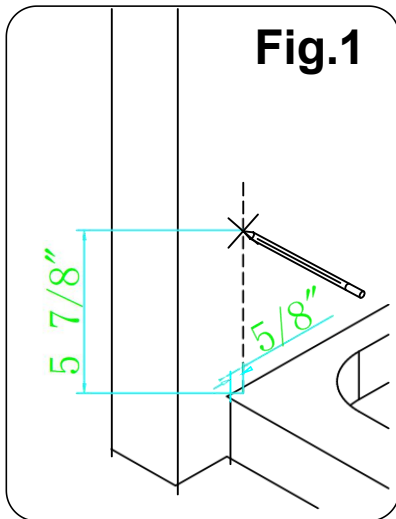
1 Install Fixed **fixed glass clamp(G)**

1. At 5 7/8" (150mm) high, 5/8" (16mm) away from the edge, mark the location with a pencil.

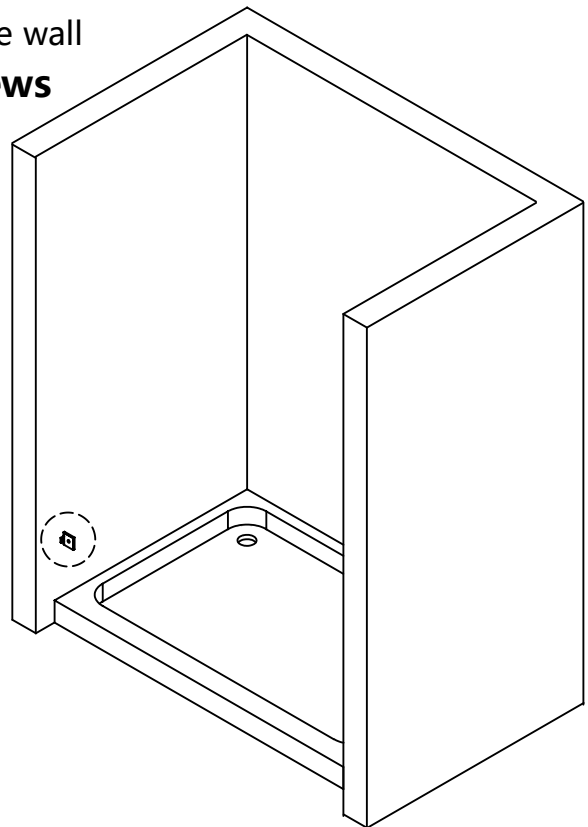
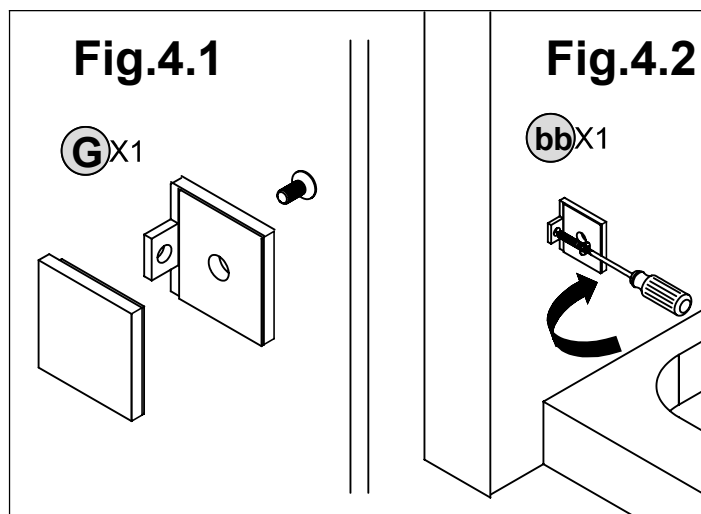
NOTE

2. Use an electric drill to bore an 8mm hole at the marked position.

3. Use a soft-faced hammer to drive the **expansion rubber pellets** **Ø8x38mm (aa)** into the wall.



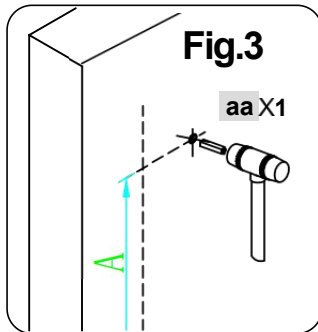
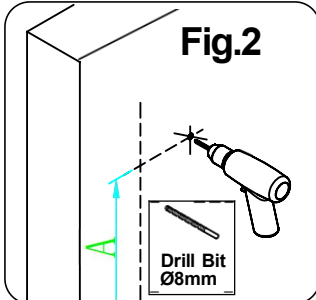
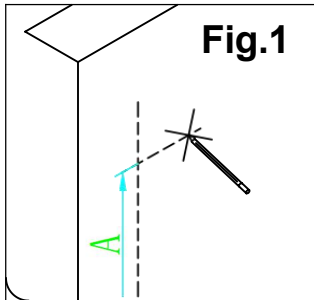
4. Secure the **fixed glass clamp(G)** to the wall with **countersunk Self-Tapping screws** **ST5X40mm (bb)**



2 Install **Slide Rail Support(A)**

NOTE

1. Mark with a pencil at a height of A, (25.4mm) away from the center of the **fixed glass clamp(G)** hole.
2. Use an electric drill to bore an 8mm hole at the marked position.
3. Use a soft-faced hammer to drive the **expansion rubber pellets** **Ø8x38mm (aa)** into the wall.

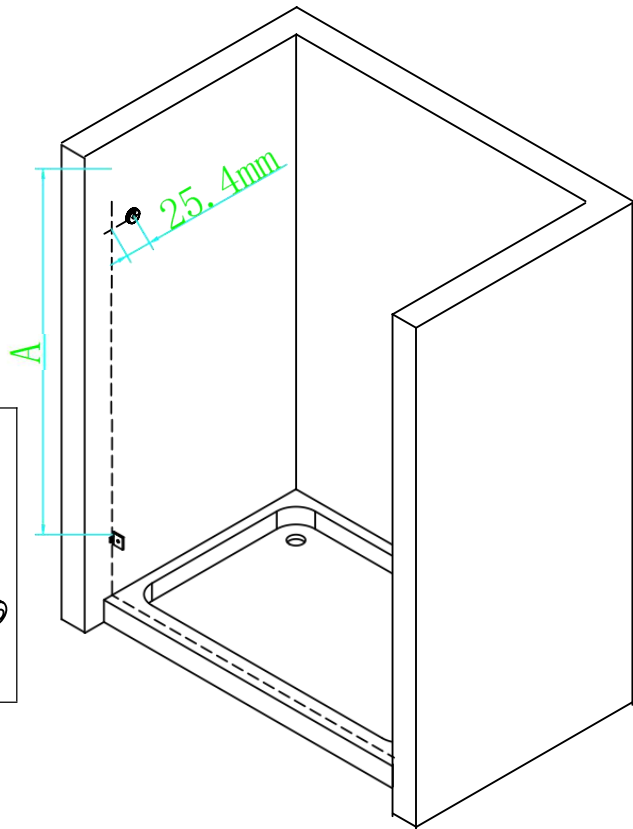
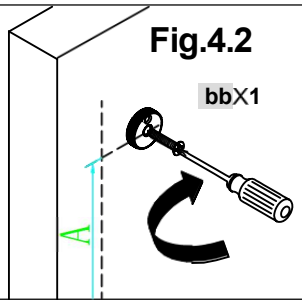
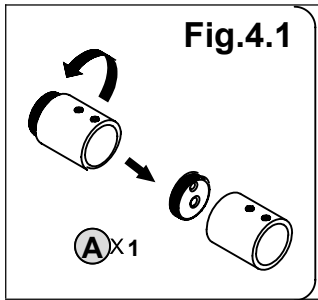


Product Height	A
60"(1524mm)	57"(1448mm)
66"(1676mm)	63"(1600mm)
70"(1778mm)	67"(1702mm)
72"(1828mm)	69"(1752mm)
74"(1880mm)	71"(1804mm)
76"(1930mm)	73"(1854mm)
78"(1981mm)	75"(1905mm)
79"(2006mm)	76"(1930mm)
80"(2032mm)	77"(1956mm)

*A=product height-3"(76mm)

*Without the size, please contact the local dealer.

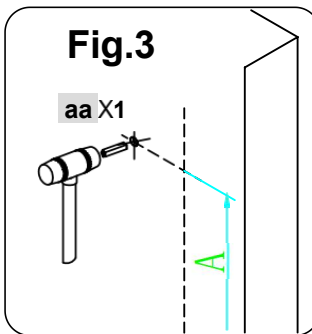
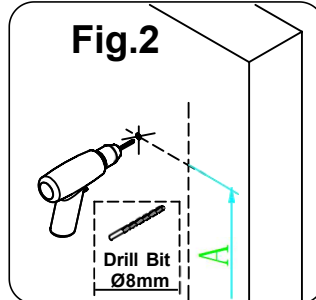
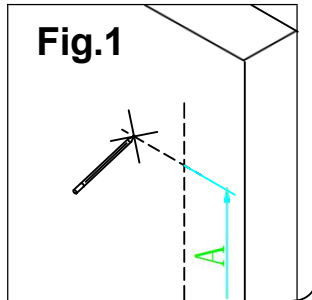
4. Secure the left guide rail brackets to the wall using **countersunk self-Tapping screws** **ST5X40mm (bb)**.



3 Install **Slide Rail Support(A)**

NOTE

1. Mark with a pencil at a height of A, (25.4mm) away from the center of the **fixed glass clamp(G)** hole.
2. Use an electric drill to bore an 8mm hole at the marked position.
3. Use a soft-faced hammer to drive the **expansion rubber pellets** **Ø8x38mm (aa)** into the wall.

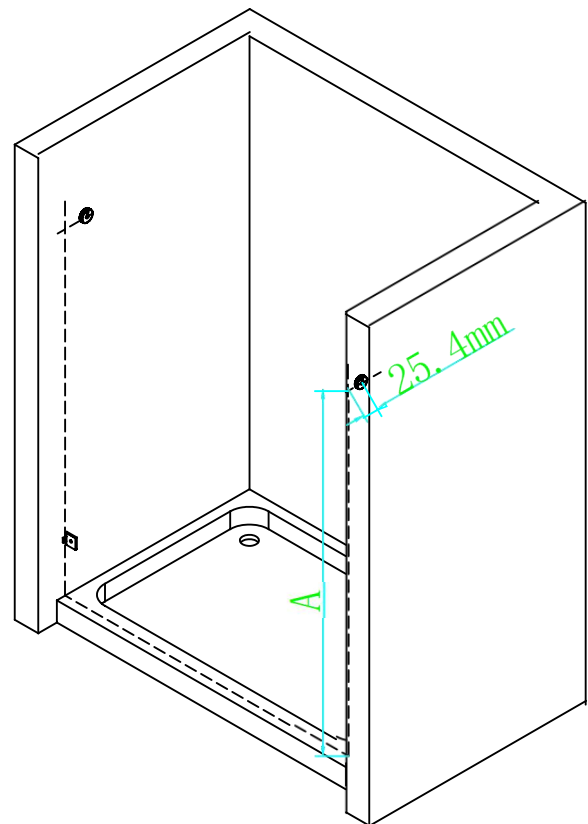
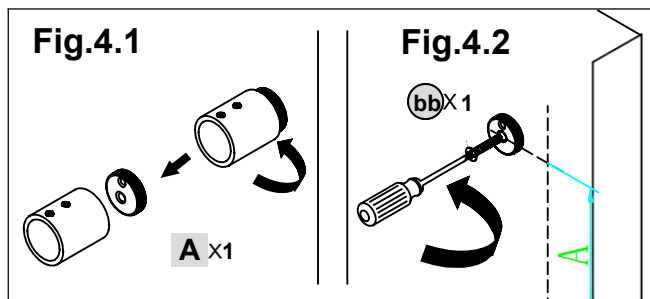


Product Height	A
60"(1524mm)	57"(1448mm)
66"(1676mm)	63"(1600mm)
70"(1778mm)	67"(1702mm)
72"(1828mm)	69"(1752mm)
74"(1880mm)	71"(1804mm)
76"(1930mm)	73"(1854mm)
78"(1981mm)	75"(1905mm)
79"(2006mm)	76"(1930mm)
80"(2032mm)	77"(1956mm)

*A=product height-3"(76mm)

*Without the size, please contact the local dealer.

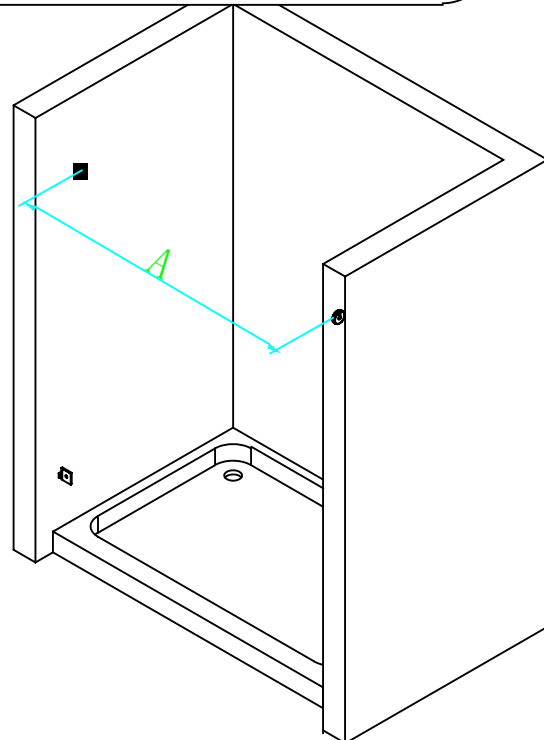
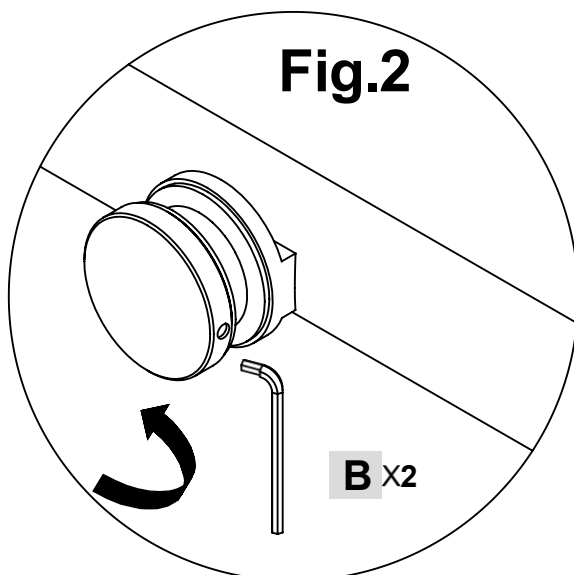
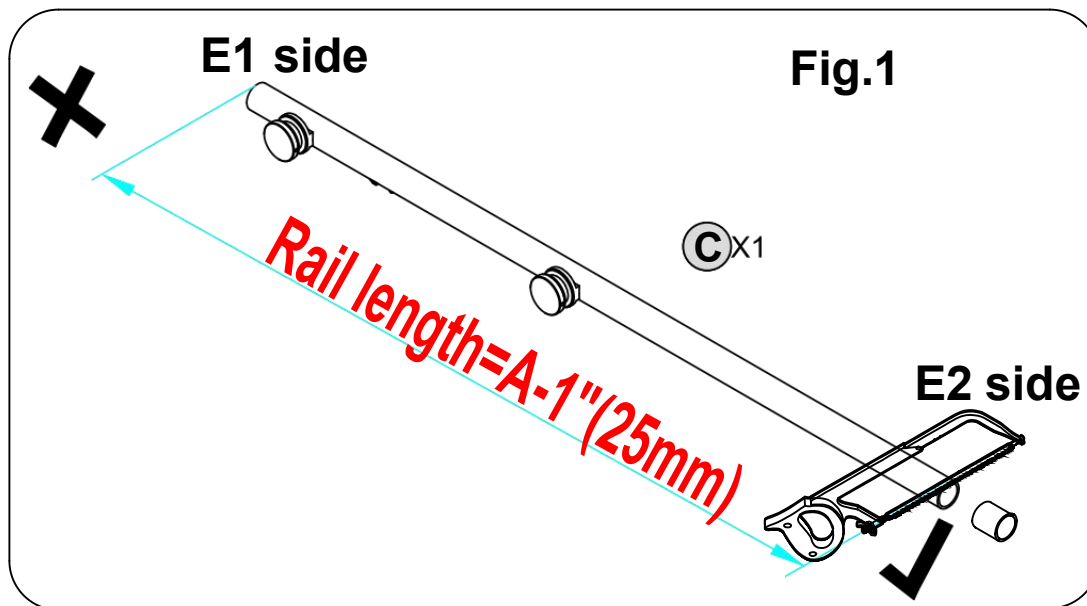
4. Secure the right guide rail brackets to the wall using **countersunk self-Tapping screws** **ST5X40mm (bb)**.



4 Processing The **Guide Rail (C)**

NOTE

1. Measure and mark the excess portion of the **guide rail (C)** on-site, then cut it off. Use an Allen wrench to loosen the **fixed panel bracket(B)** that secures the panel.
2. Use an Allen wrench to loosen the **fixed panel bracket(B)** that secures the panel.

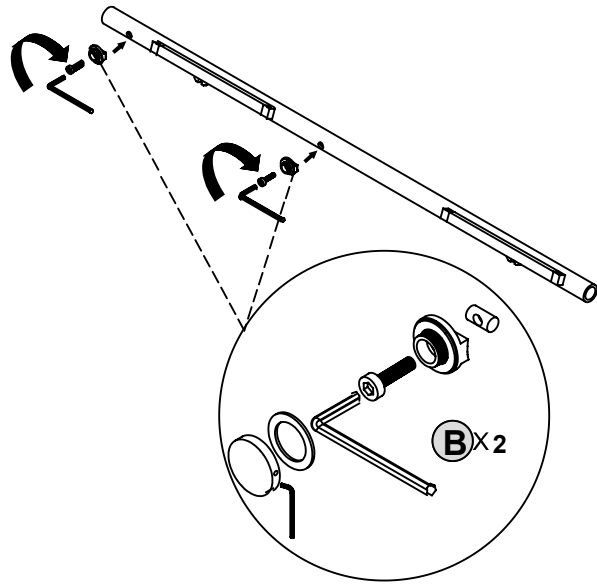
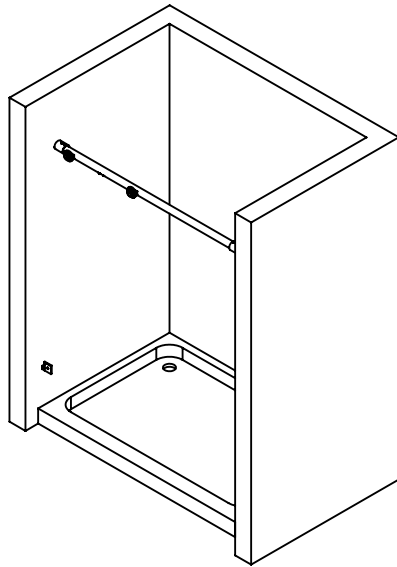


5 Two different options for **Guide rail (C)** installation.

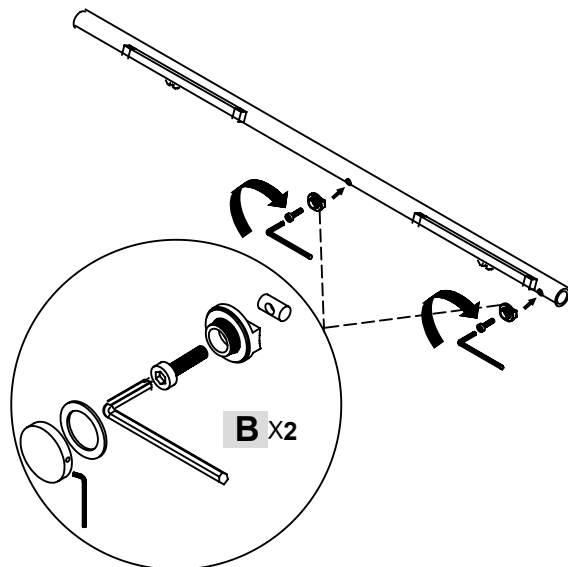
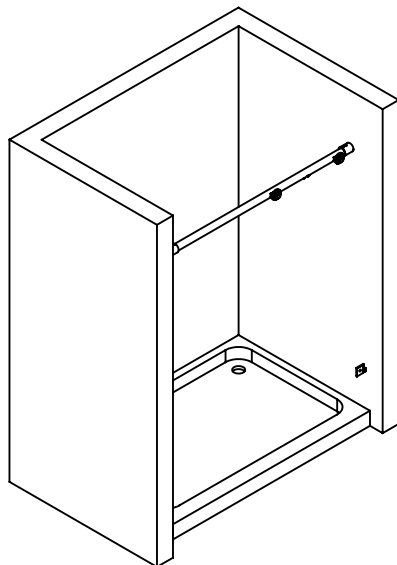
NOTE

Fixed Panel Bracket (B) and **Guide rail (C)** are pre-assembled at the factory to prevent any parts of **Fixed Panel Bracket (B)** from getting lost during transit. Depending on the installation site conditions, you may need to detach **Fixed Panel Bracket (B)** from **Guide rail (C)** before proceeding with the installation.

OPTION 1 When the **fixed panel** is installed **on the left side**



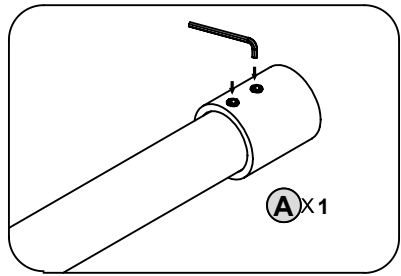
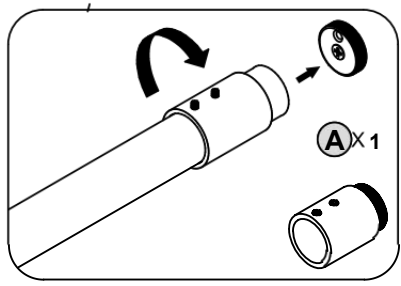
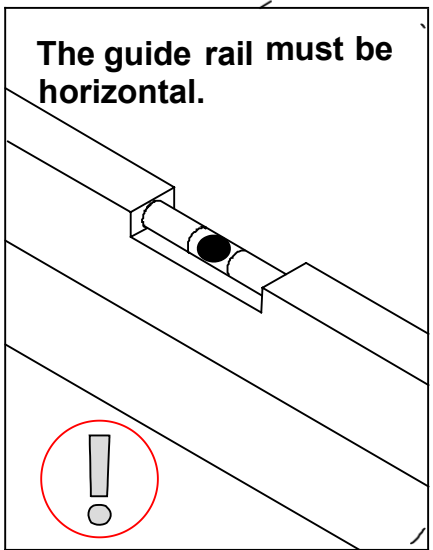
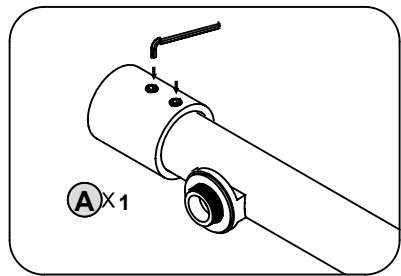
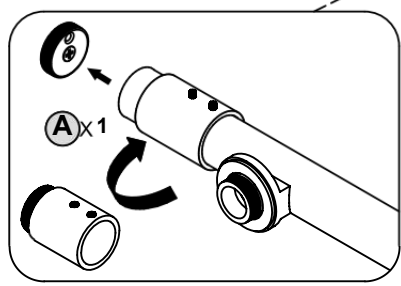
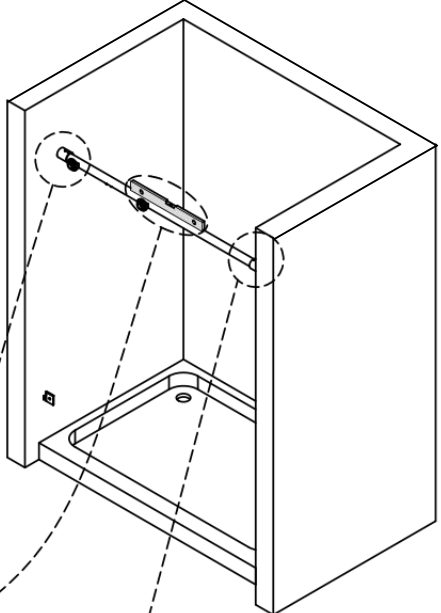
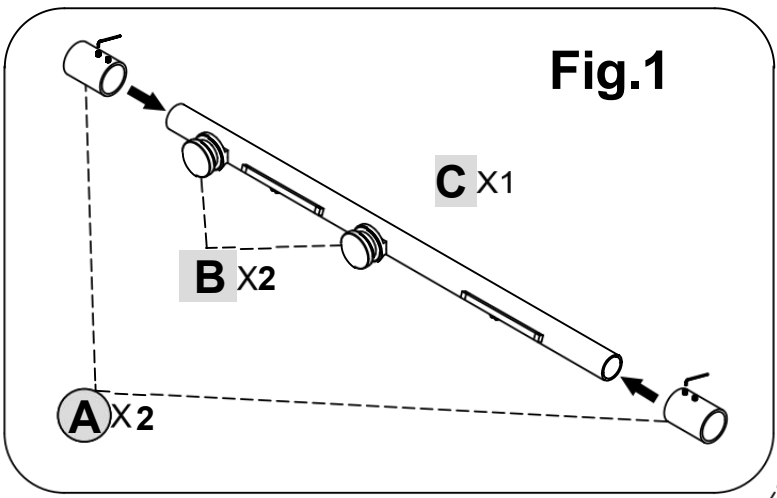
OPTION 2 When the **fixed panel** is installed **on the right side**



6 Install the **Guide Rail (C)**

NOTE

1. Use an Allen wrench to loosen the top screws on the **slide rail support (A)**. Then, fit the **slide rail support (A)** onto the **guide rail (C)**.
2. Secure the left and right **slide rail support (A)** onto the wall-mounted guide rail bracket seats. Use a wrench to tighten the set screws on the **slide rail support (A)**.

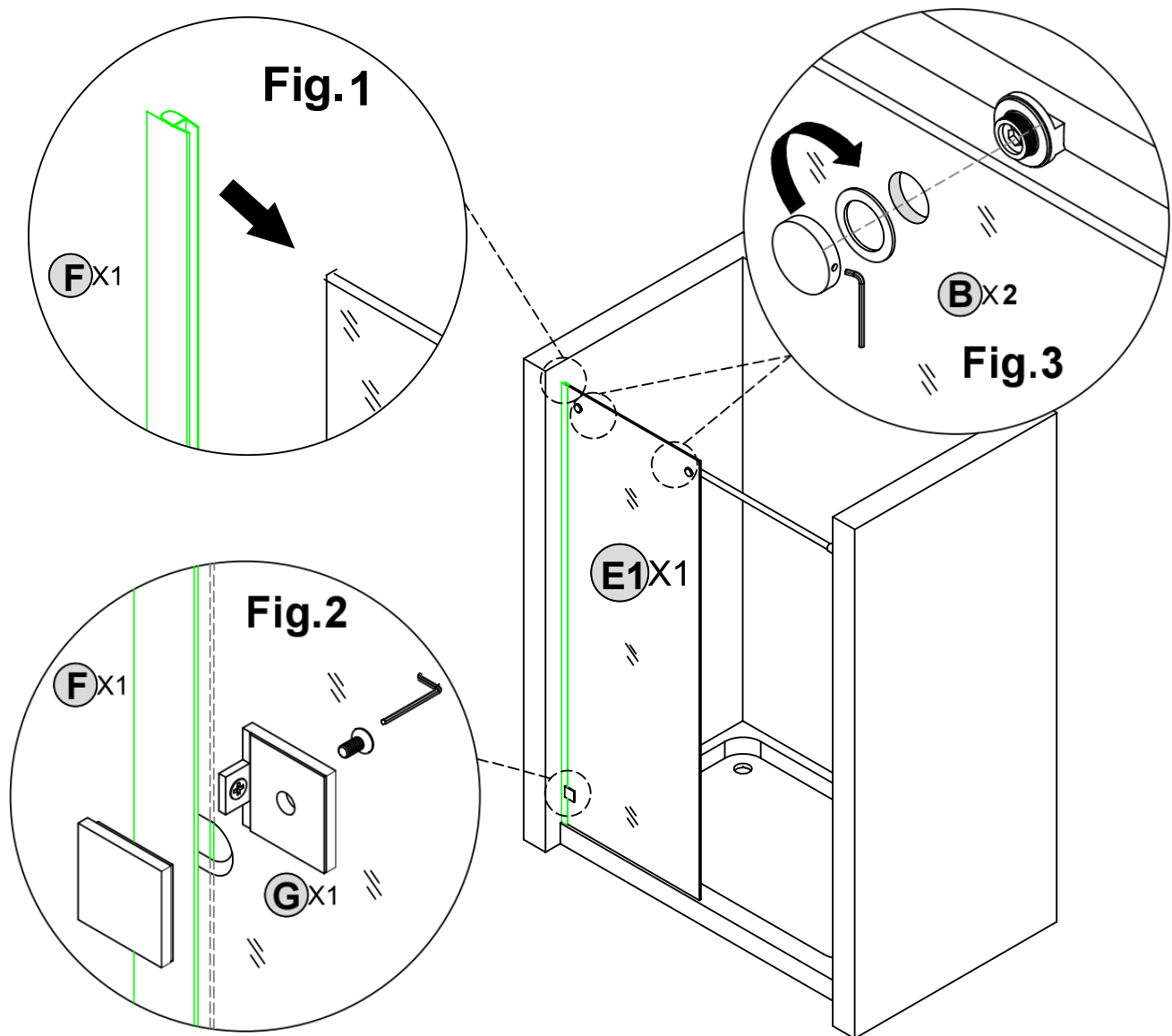


7

Install **Fixed Panel(E1)**

NOTE

1. Apply the **Side water barrier strip (F)** to the **fixed panel (E1)**.
2. Lift the **fixed panel (E1)** and align the notch with the **fixed glass clamp (G)**. Secure the **fixed panel (E1)** and the **fixed glass clamp (G)** with a machine screw.
3. Align the holes on the **fixed panel (E1)** with the **fixed panel bracket (B)**. Secure the **fixed panel (E1)** to the **fixed panel bracket (B)** with a cap. Tighten the cap with an Allen wrench.



8 Install The **Bottom Guide Block(J)**

1. Align one end of the **bottom guide block (J)** flush with the edge of the **fixed panel (E1)**, then mark the position with a pencil where the side of the **bottom guide block (J)** is 1 1/8" (28.7mm) away from the inside surface of the **fixed panel (E1)**.
2. Drill the Hole: Use an electric drill to bore a 6 mm hole at the marked position.
3. Use a soft-faced hammer to drive the **expansion rubber pellets Ø6x28mm (ee)** anchor into the floor.
4. Secure the Guide Block: Secure the **bottom guide block (J)** to the ground with **countersunk self-tapping screws ST4X30mm (dd)**.

NOTE

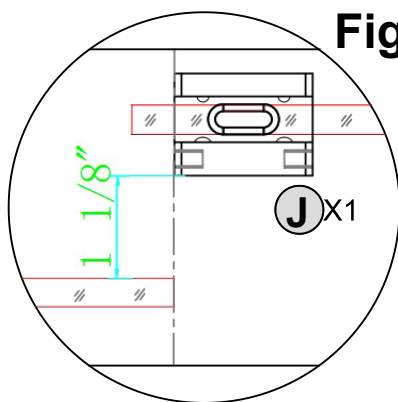


Fig.1.1

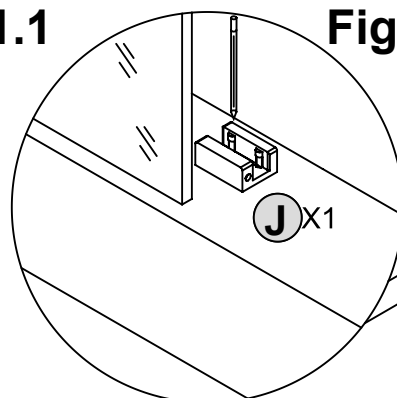


Fig.1.2

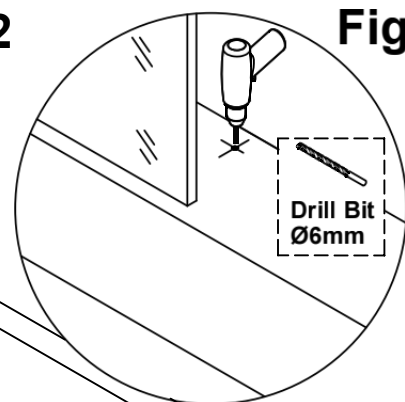


Fig.2

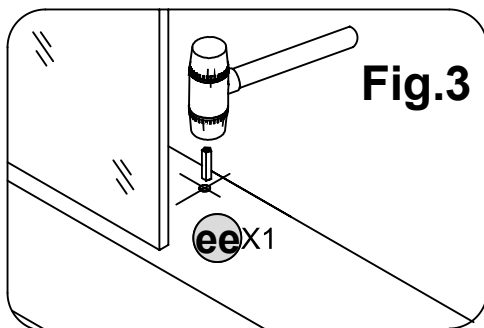


Fig.3

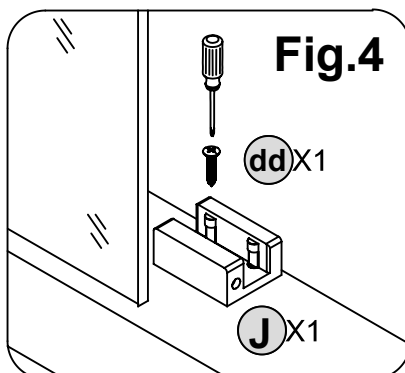
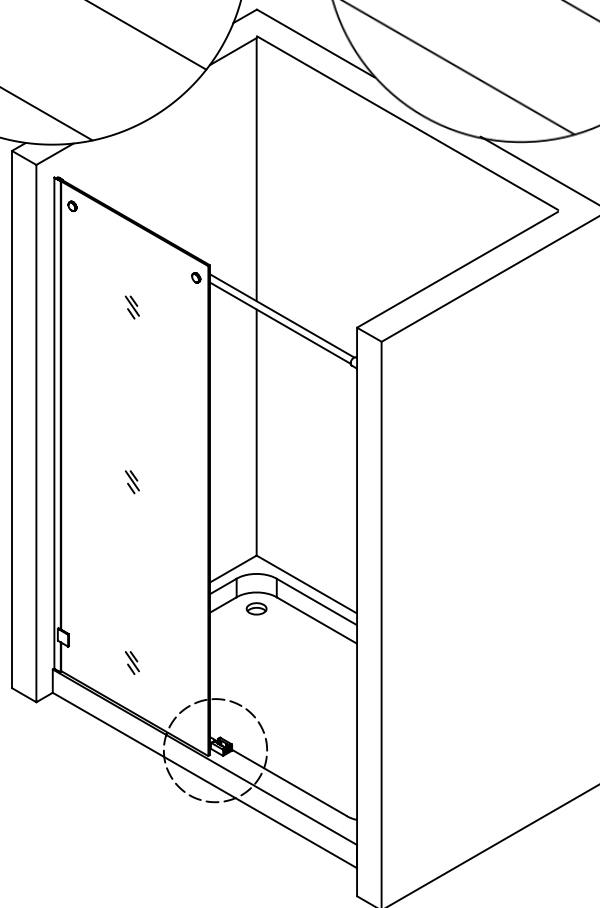
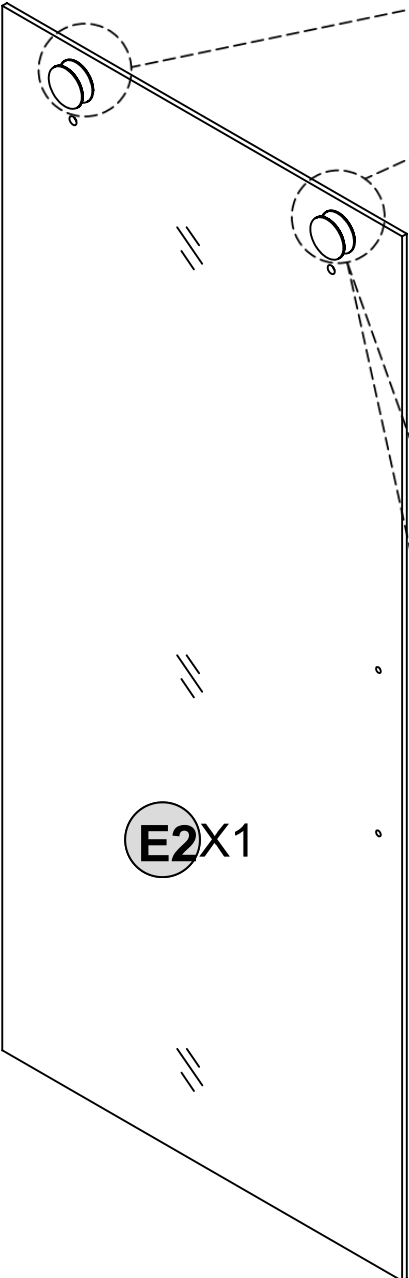
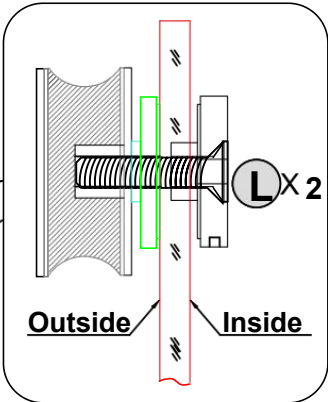


Fig.4

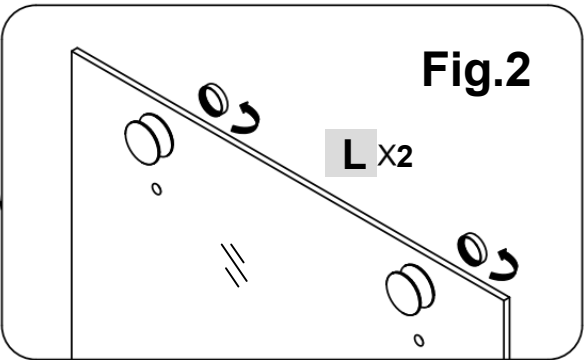
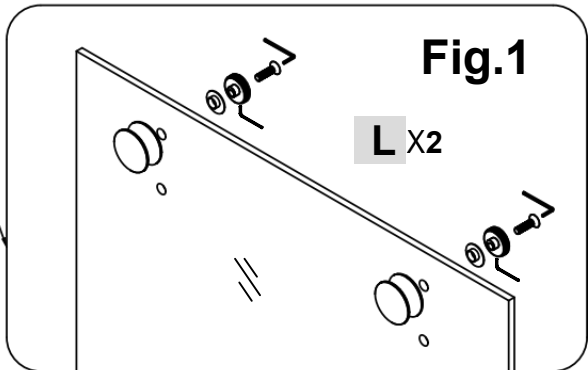


9 Install the **Ø55 Sliding Roller(L)** on **Sliding Panel (E2)**

NOTE The roller should face outward

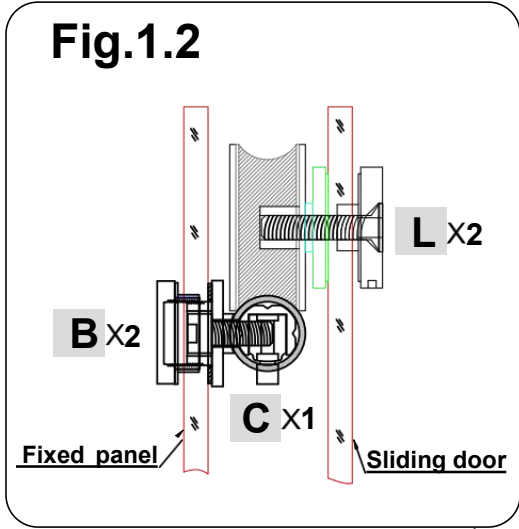
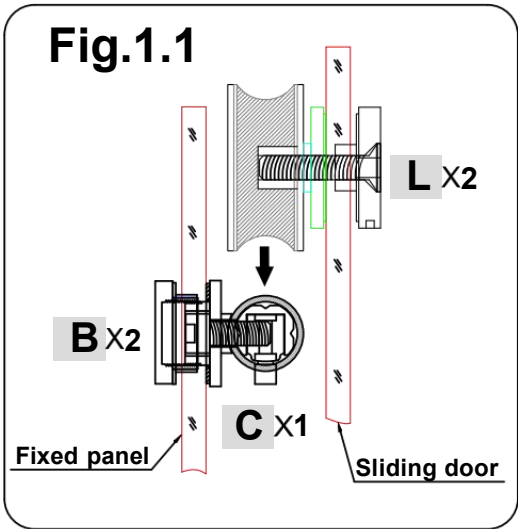


1. Press the Bushings and Secure the Roller: Press the rubber bushing and the threaded bushing into the hole in the **sliding Panel (E2)**. Secure the **Ø55 Sliding Roller(L)** with a countersunk machine screw.
2. Tighten the Cap:Tighten the cap of the **Ø55 Sliding Roller(L)** by using a wrench.

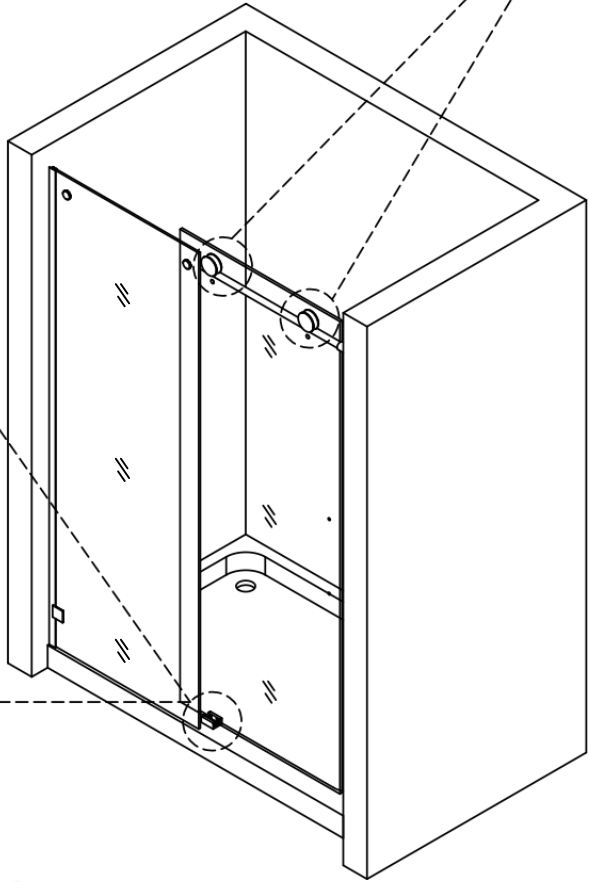
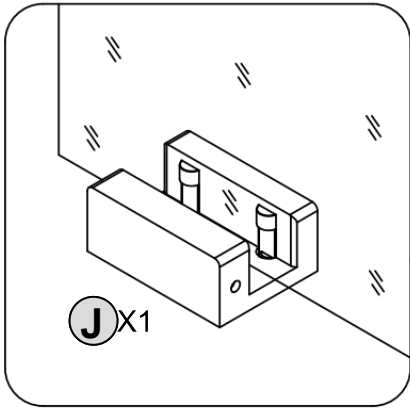
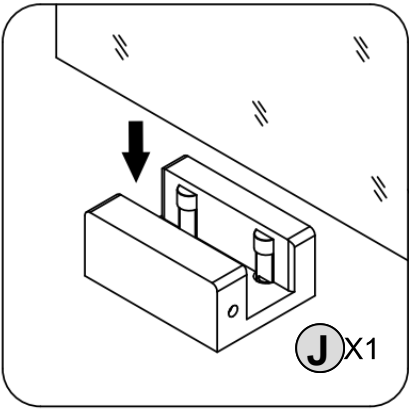


10 Install Sliding panel(E2)

NOTE 1. Place the Roller onto the Track:Lift the **sliding panel (E2)** and place the groove of the **Ø55 Sliding Roller(L)** onto the **guide rail (C)**.



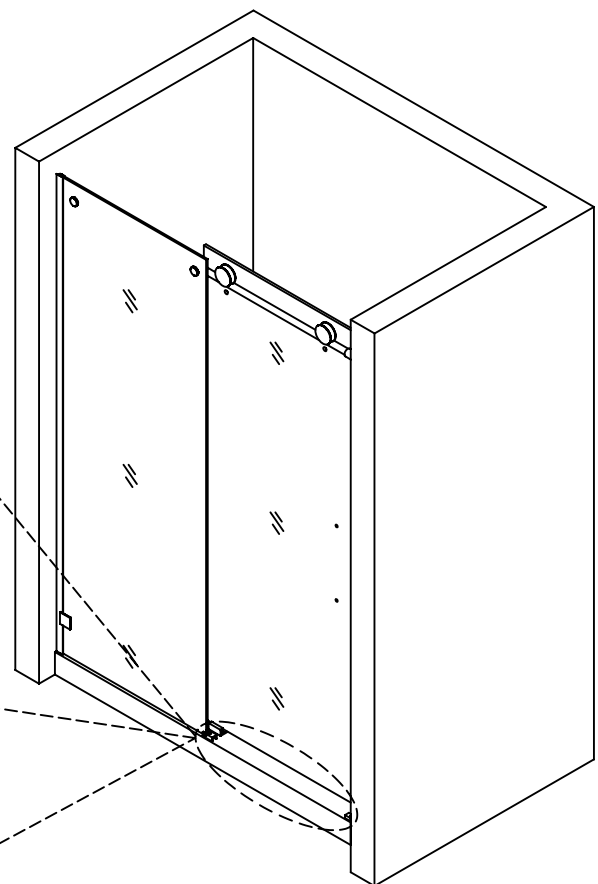
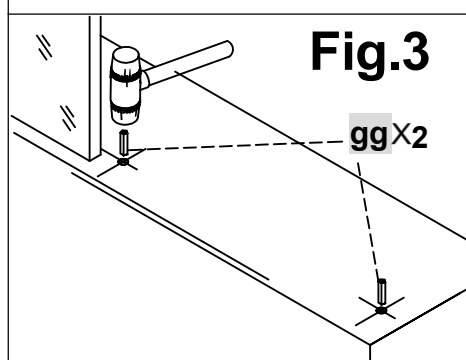
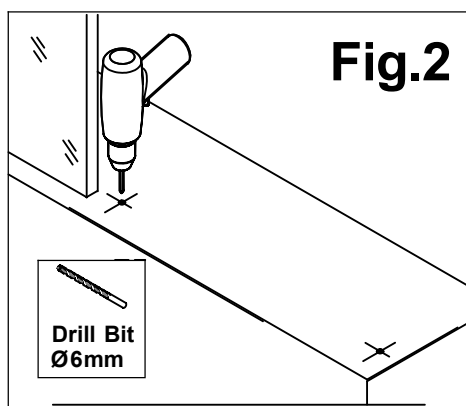
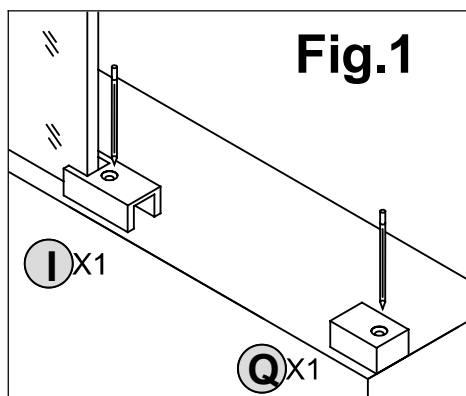
2. Insert the Bottom into the Guide Block:Insert the bottom of the **sliding panel (E2)** into the **bottom guide block (J)**.



11 Install **Glass Clamp Water Dam Connector (I)** and **Wall Side Water Dam End Caps (Q)**

NOTE

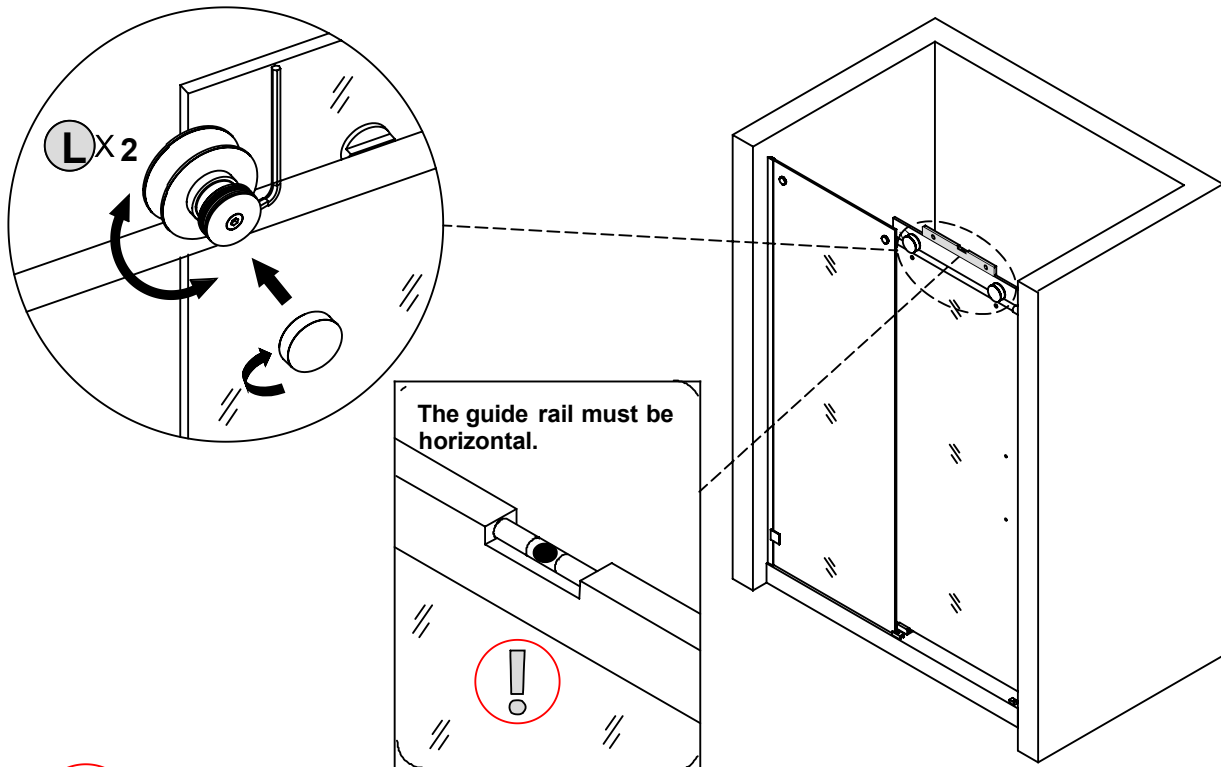
1. Insert the **Glass Clamp Water Dam Connector (I)** onto the **Fixed Panel (E1)**, place the **Wall Side Water Dam End Caps (Q)** flat against the wall. Ensure that the **Wall Side Water Dam End Caps (Q)** is horizontally aligned with the **Water Dam Connector (I)** on the **Fixed Panel (E1)**, and mark the position with a pencil.
2. Drill a 6mm hole at each marked position using an electric drill.
3. Use a soft-head hammer to drive the **expansion rubber pellets Ø6x32mm (gg)** anchor into the floor.



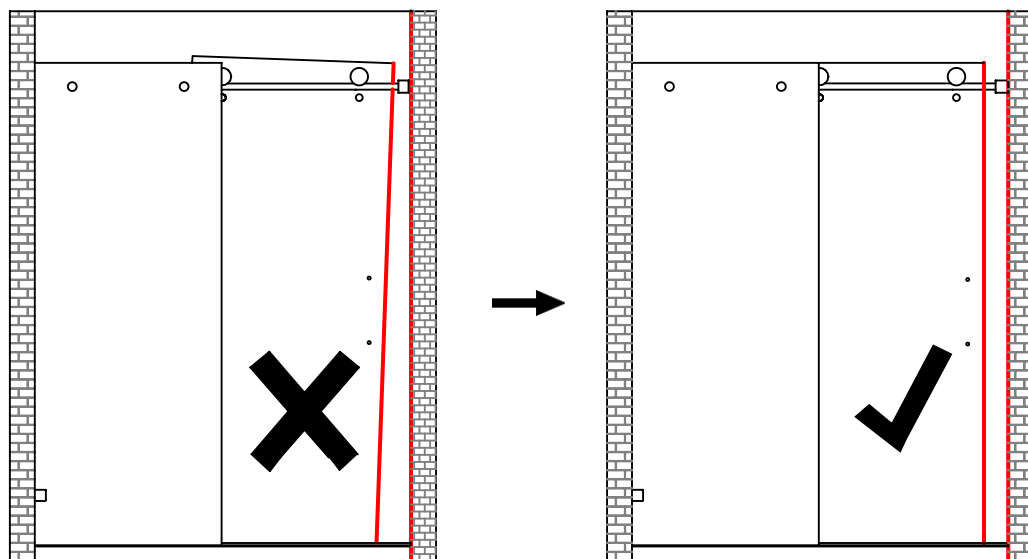
12 Adjust The Height Of **Sliding Panel (E2)**

NOTE

Adjust the **Ø55 sliding roller (L)** height until the door slides smoothly. Use a level to align the **sliding Panel (E2)** edge with the wall, ensuring that the **sliding Panel (E2)** is parallel to the wall. Once adjustments are complete, fasten the cover plate of the **Ø55 sliding roller (L)**.



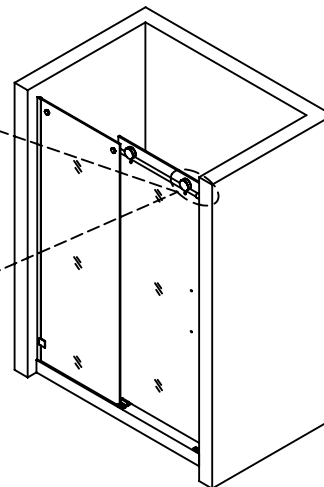
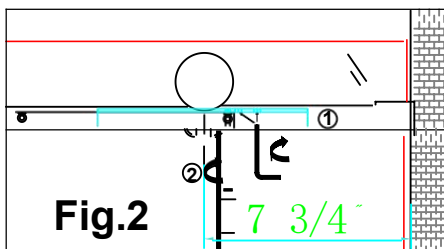
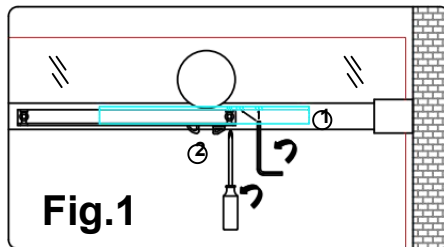
NOTE



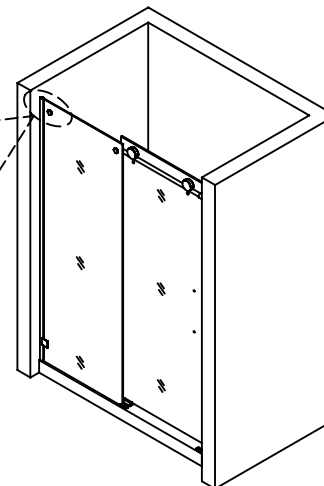
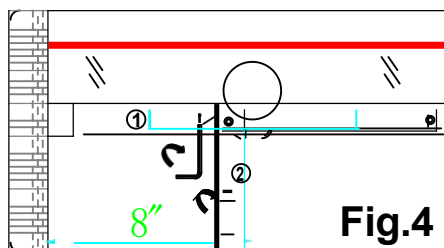
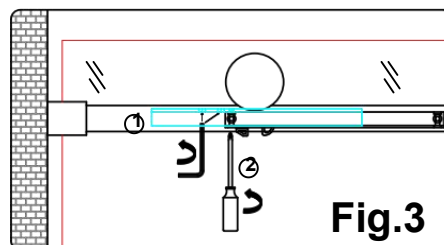
13 Adjusting the placement of **Soft-Close (M)**

NOTE

1. First, use a allen wrenche to loosen the set screw on the **Soft-Close (M)** base , then use a screwdriver to loosen the screw on the **Soft-Close (M)**.
2. Move the **Soft-Close (M)** to a position where the center of the release mechanism is 7 3/4" (197mm) from the wall. Tighten the set screw on the **Soft-Close (M)** base with allen wrenche, and the screw on the **Soft-Close (M)** with screwdriver.

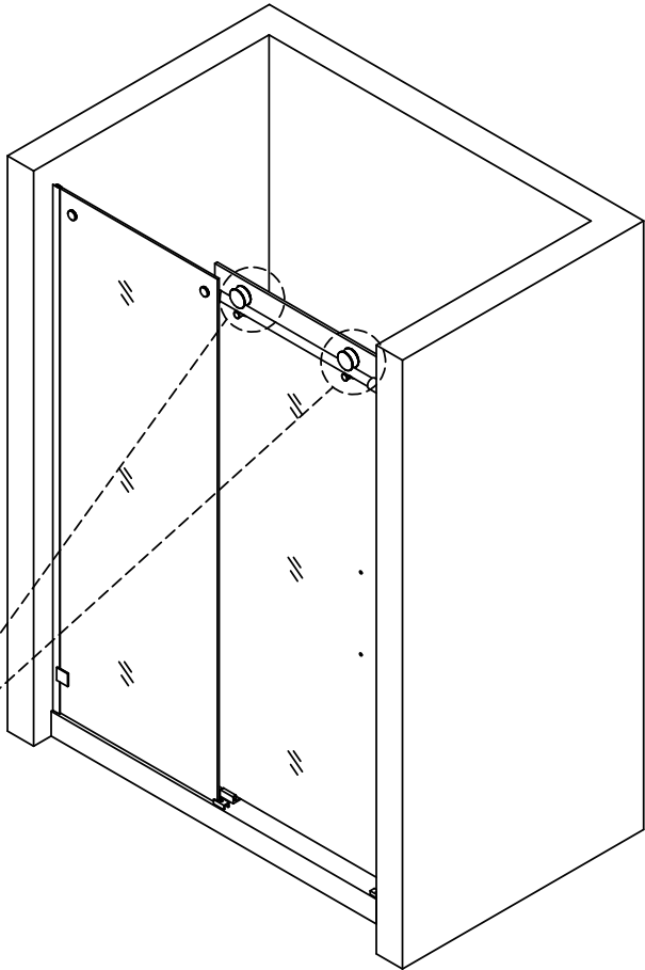
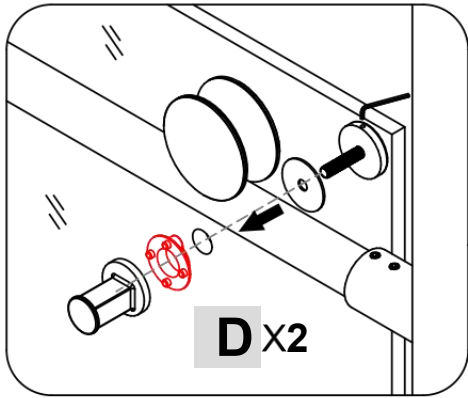
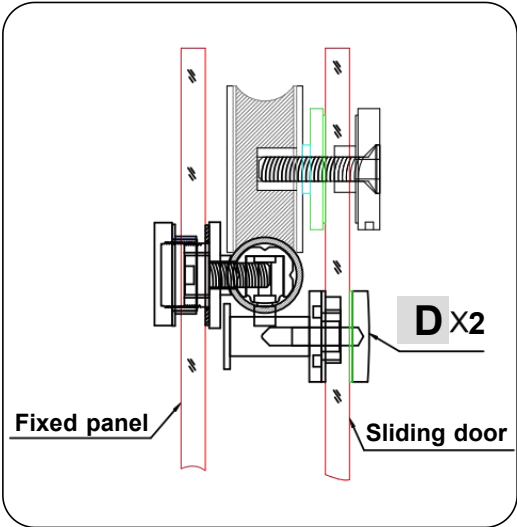


3. First, use a allen wrenche to loosen the set screw on the **Soft-Close (M)** base , then use a screwdriver to loosen the screw on the **Soft-Close (M)**.
4. Move the **Soft-Close (M)** to a position where the center of the release mechanism is 8" (203.5mm) from the wall. Tighten the set screw on the **Soft-Close (M)** base with allen wrenche, and the screw on the **Soft-Close (M)** with screwdriver.

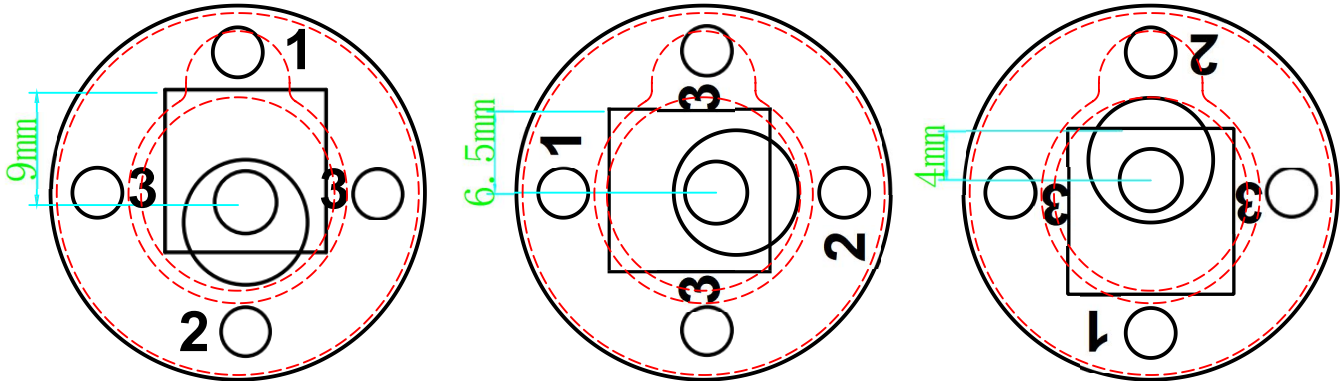


14 Buffer Starter (D) Of The Sliding panel (E2)

NOTE 1. Install the **buffer starter (D)** on the **sliding panel (E2)**.

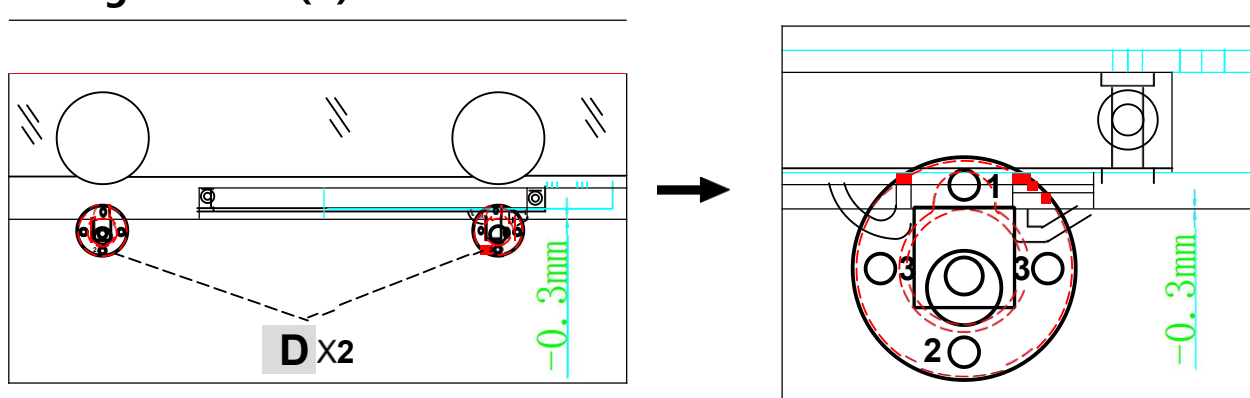


2. **Buffer Starter (D)** may need adjustments to match the buffer system. (refer to page 19)

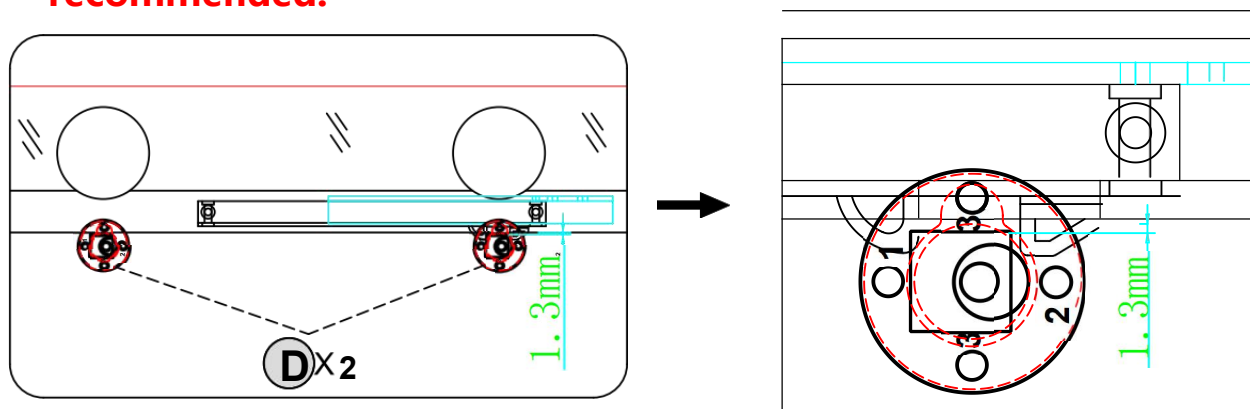


15 Adjust the height of the **buffer starter (D)** to ensure proper door stop function.

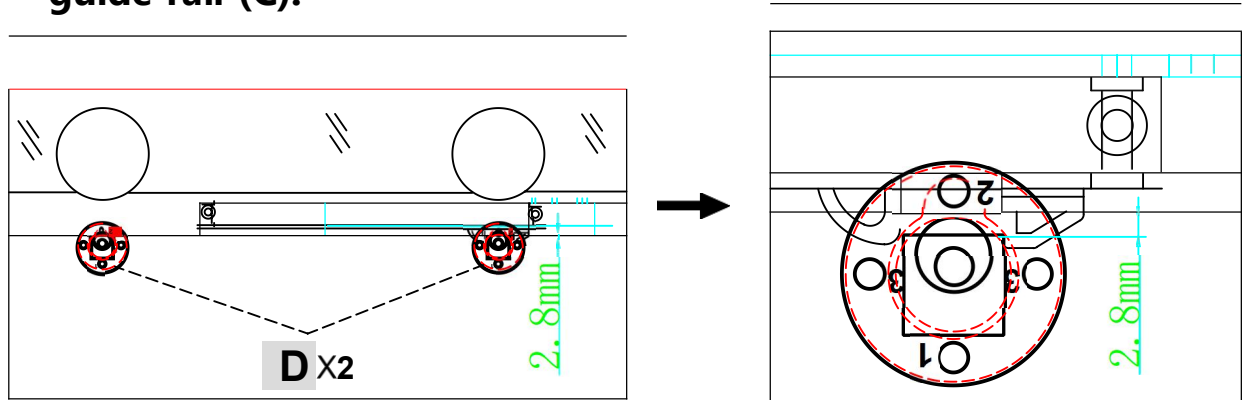
1. When the **buffer starter (D)** is in position 1, it extends -0.3mm beyond the **guide rail (C)**.



2. When the **buffer starter (D)** is in position 3, it is 1.3mm away from the **guide rail (C)**. **Under normal circumstances, position 3 is recommended.**



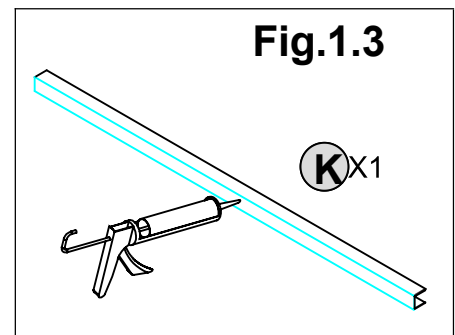
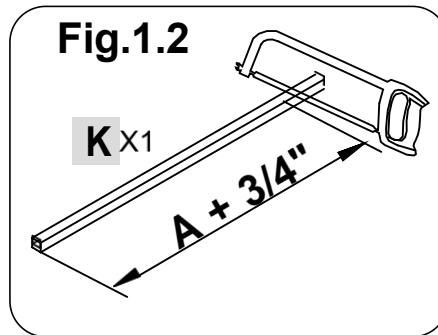
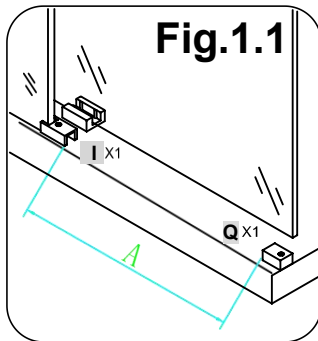
3. When the **buffer starter (D)** is in position 2, it is 2.8mm away from the **guide rail (C)**.



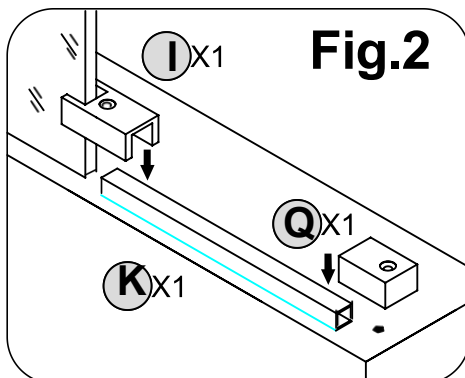
16 Install Threshold Water Dam (K)

NOTE

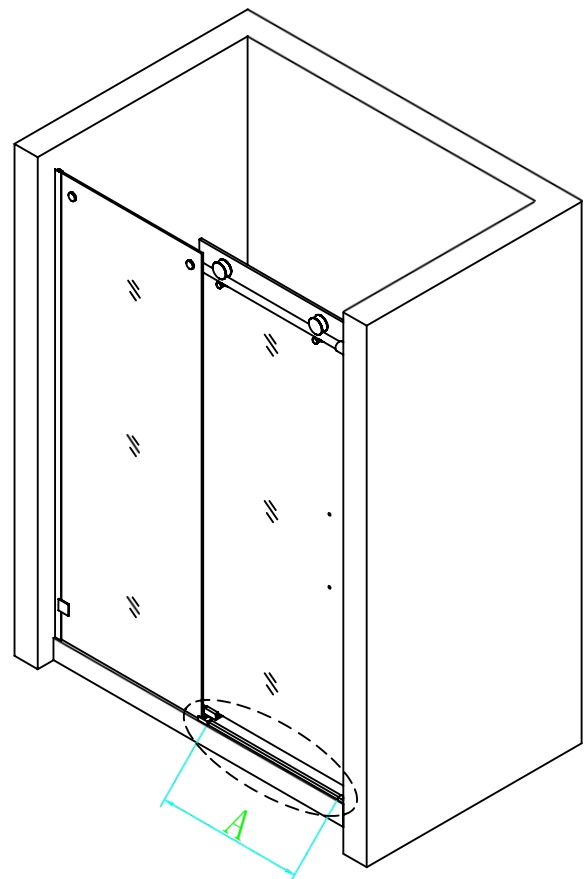
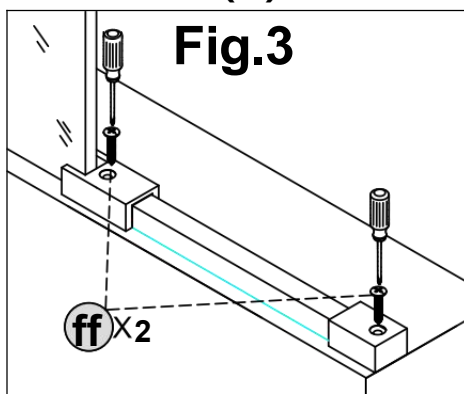
1. Measure on-site and cut off the excess part of the **Threshold Water Dam (K)** ($A + 3/4"$). Apply silicone sealant to the bottom of the **Threshold Water Dam (K)**.



2. Insert the **Threshold Water Dam (K)** into the **Water Dam Connector (I)** and **Wall Side Water Dam End Caps (Q)**



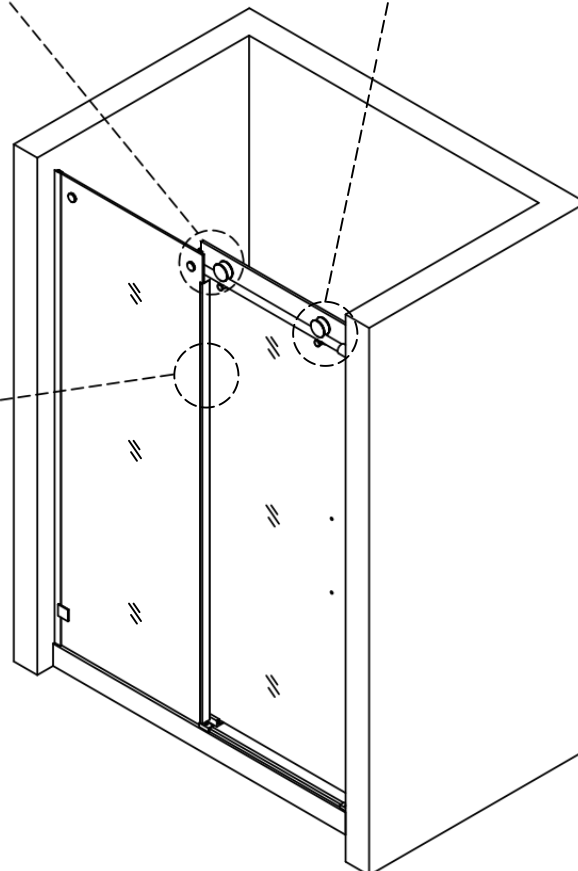
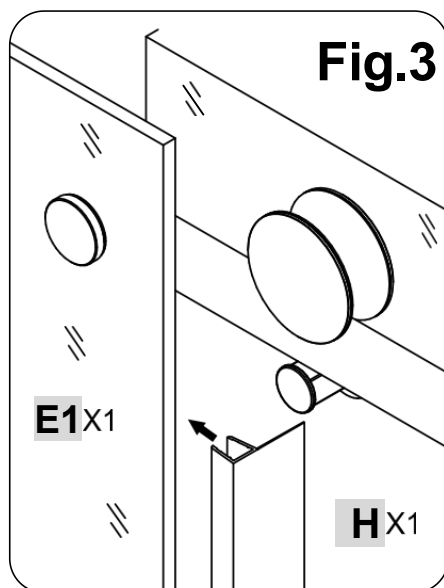
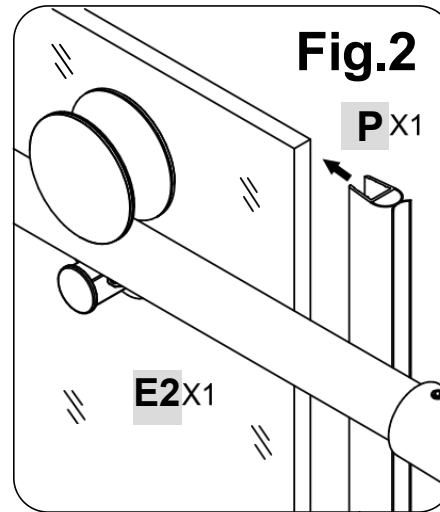
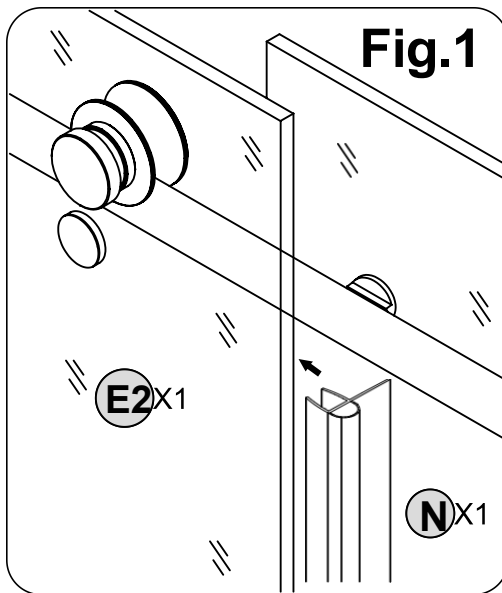
3. Secure the **Glass Clamp Water Dam Connector (I)** and **Wall Side Water Dam End Caps (Q)** to the ground by countersunk self-tapping screws **ST4X35mm (ff)**.



17 Install **Waterproof Seal (N)** and **Water Barrier Seal (H)** and **Waterproof seal (P)**

NOTE

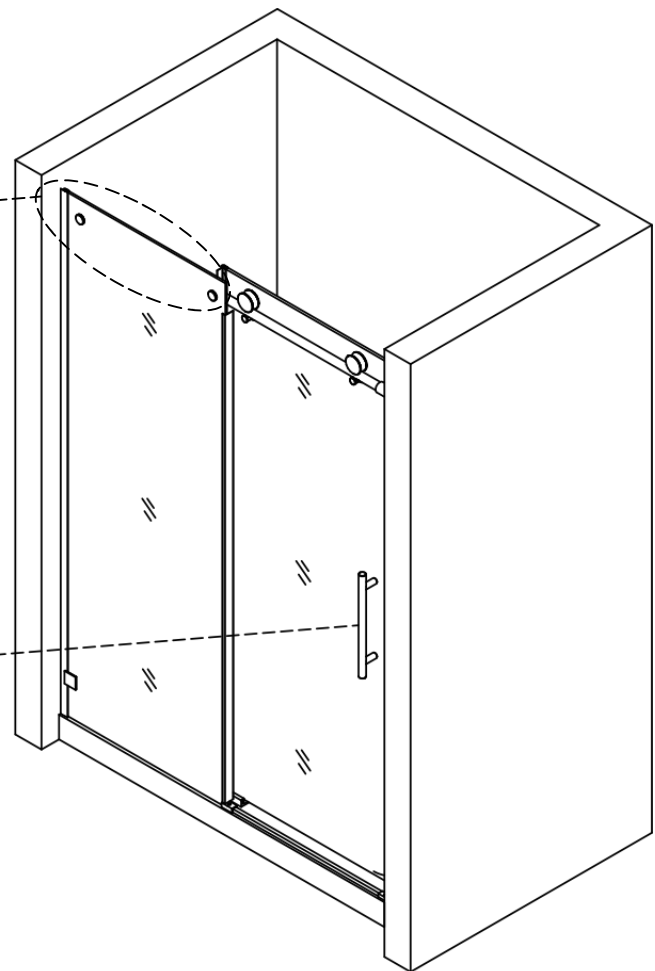
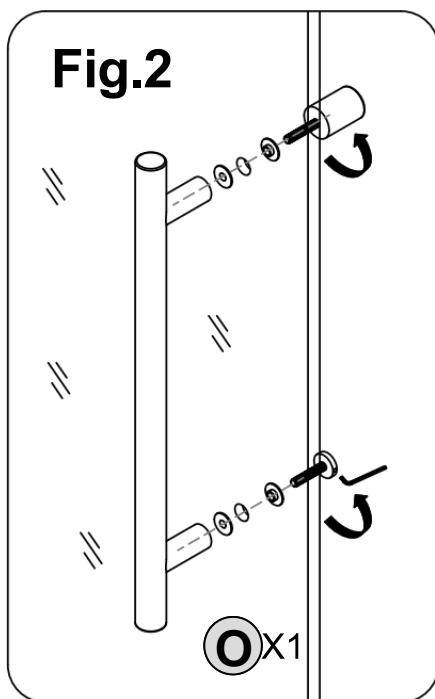
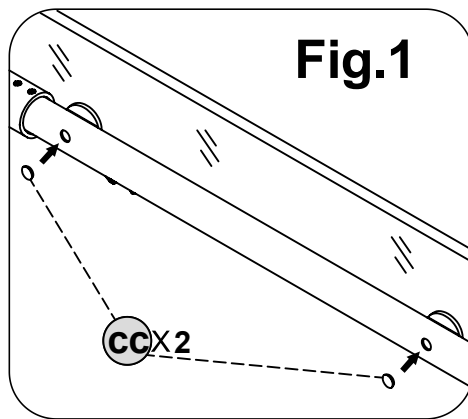
1. Install the **waterproof seal (N)** on the **sliding panel (E2)**.
2. Install the **waterproof seal (P)** on the **sliding panel (E2)**.
3. Install **water barrier seal (H)** on **fixed panel (E1)**.



18

 Install The **Handle(O)****NOTE**

1. Attach the **decorative covers (CC)** to the **guide rail (C)**, respectively.
2. Install the **handle (O)** on the sliding door and make sure to use all the provided plastic washers to protect the glass.



19 SEALING

NOTE The surfaces need to be clean and free of debris before applying silicone.

NOTE Make sure the shower door is tightly closed and opens smoothly. Apply high-quality silicone sealant along the bottom of the fixed glass and the bottom of the lower water barrier.

! Allow 24 hours for the silicone to cure before using the shower.



! Apply Silicone Sealant,(not supplied).

Apply silicone around the fixed glass and the lower water barrier.

