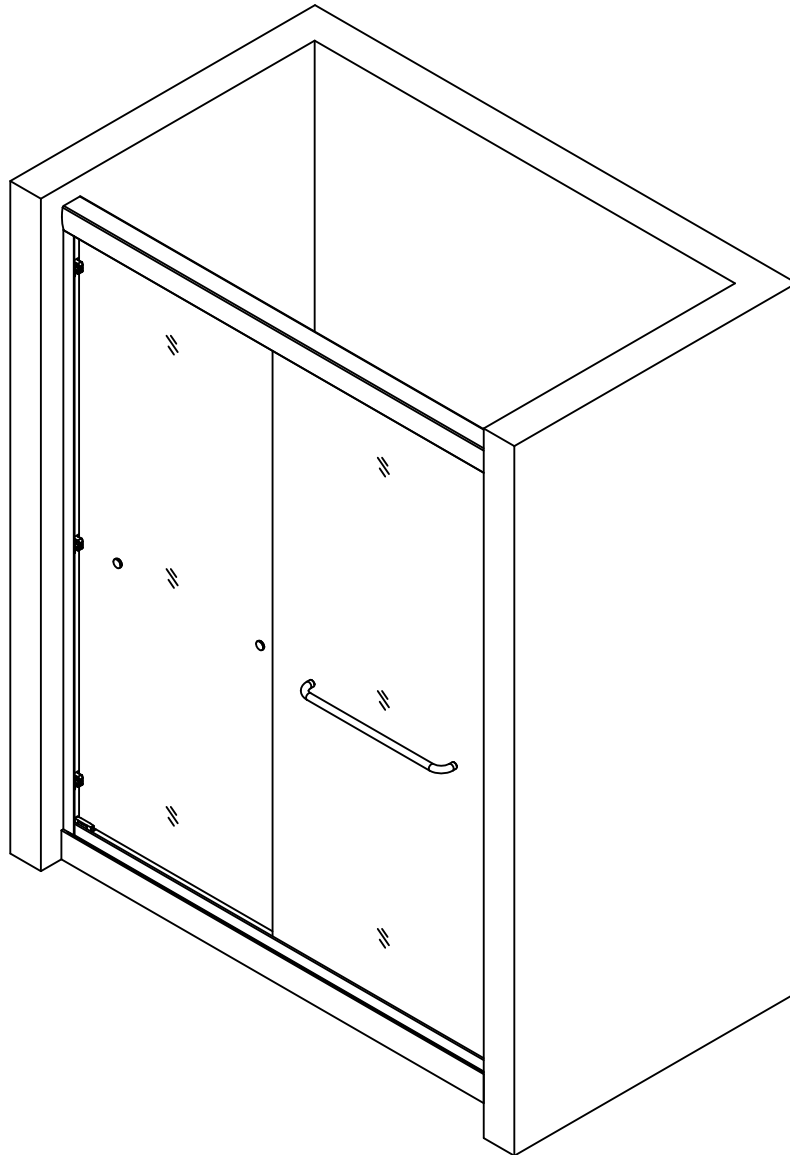


Shower Door Installation Guide

DS06



If installation challenges arise, please contact your seller for help before initiating a return process.

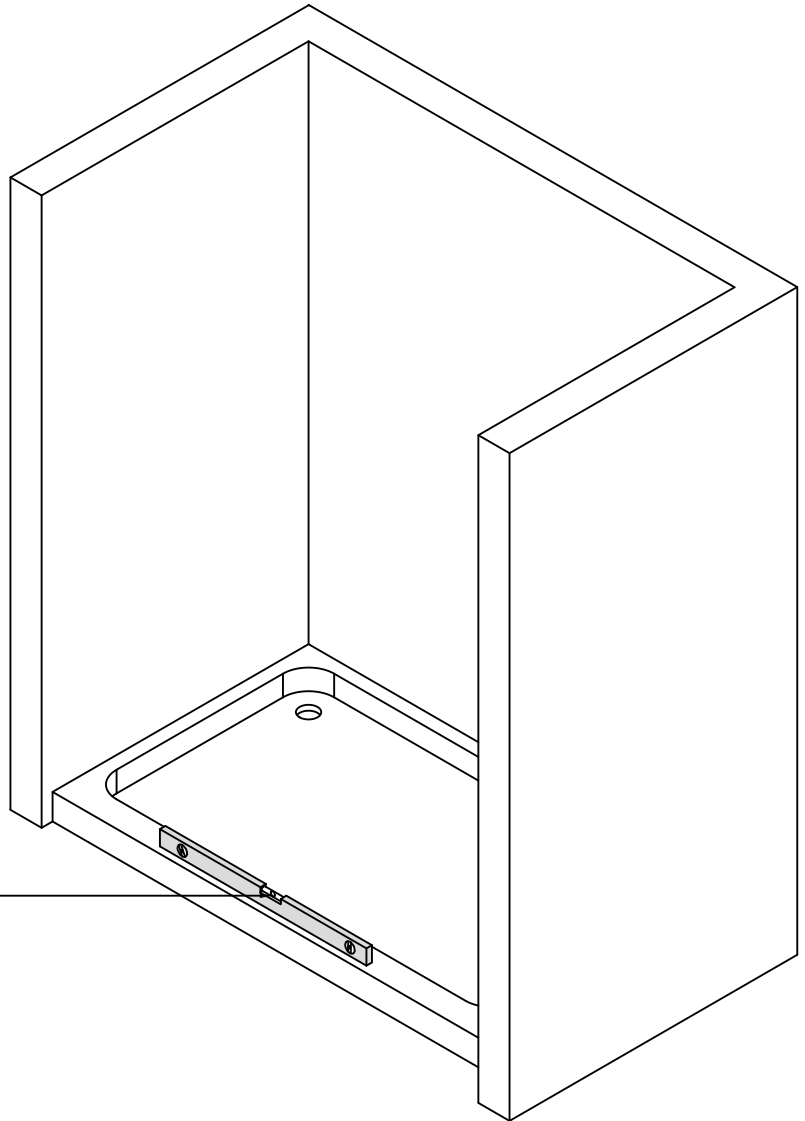
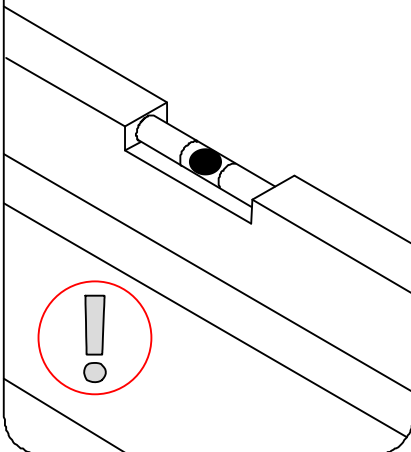
Model Specific Preparation



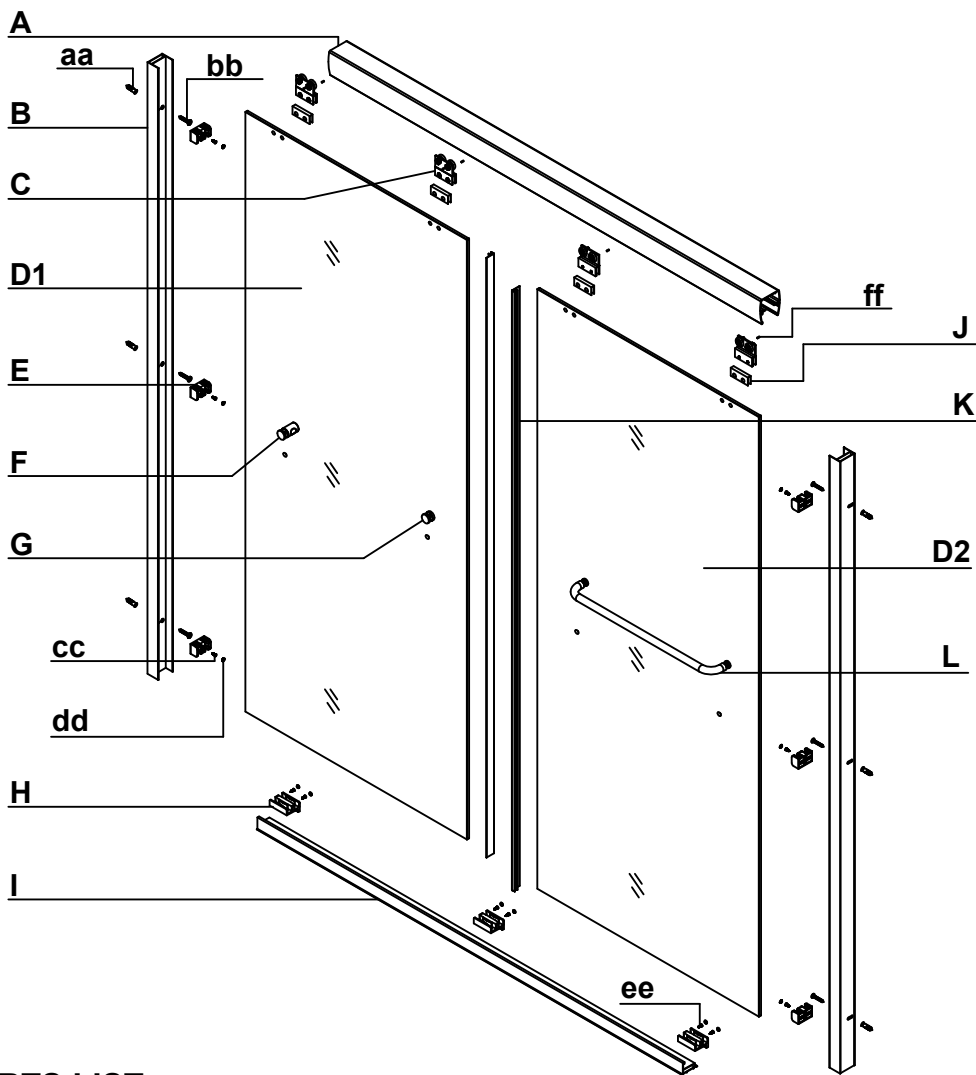
REQUIRED:

Inspect the shower threshold for level with a level or straightedge. Adjust the threshold as necessary until achieving perfectly horizontal.

The threshold must be perfectly horizontal.



PACKAGE CONTENT



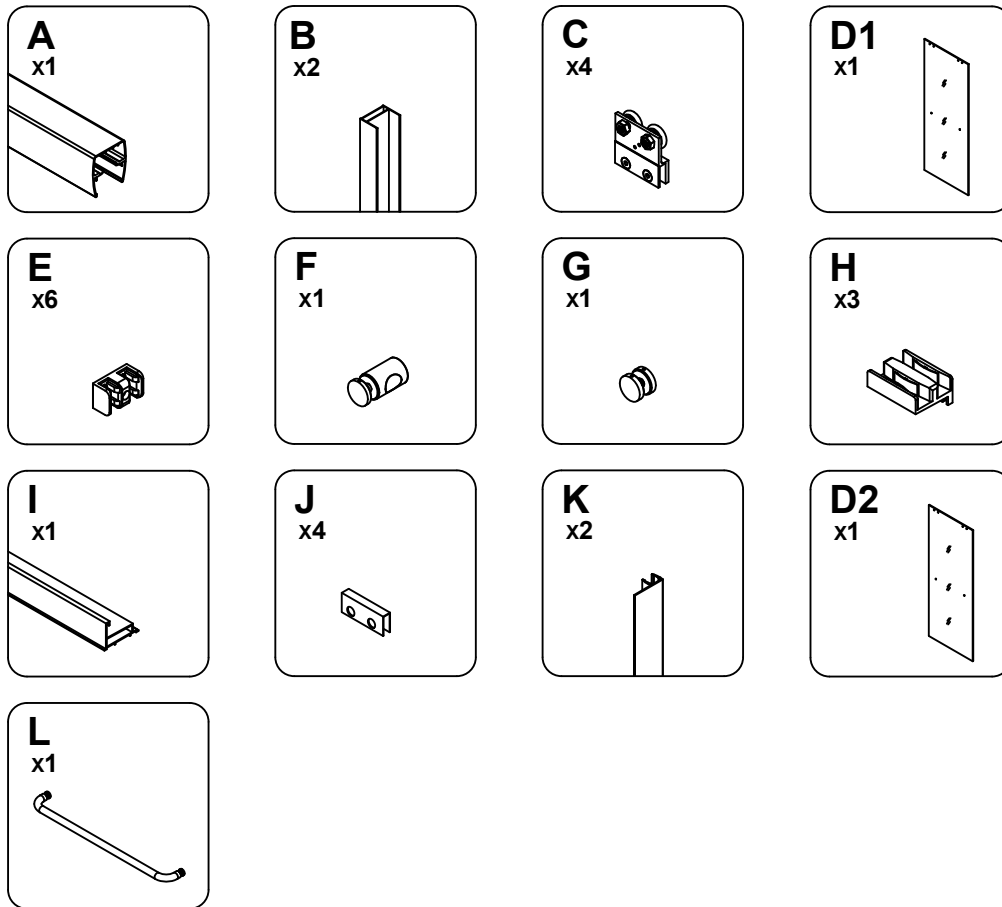
PARTS LIST

PART#	DESCRIPTION	QTY	PART#	DESCRIPTION	QTY
A	Top track	1	H	Bottom guide	3
B	Wall jambs	2	I	Bottom track	1
C	Top roller bracket	4	J	Plastic spacer	4
D1	Inside Door panel	1	K	Door seals	2
E	Jamb bumpers	6	D2	Outside Door panel	1
F	Knob A	1	L	Towel bar	1
G	Knob B	1			

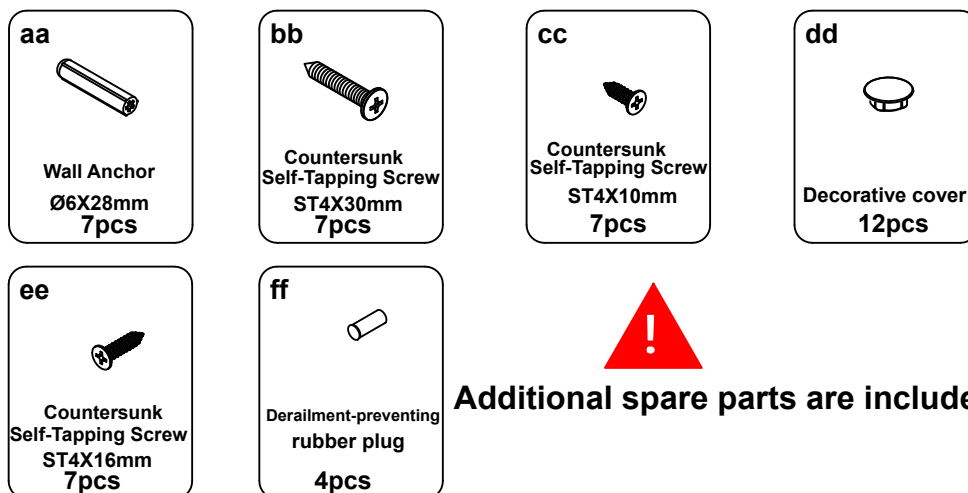
NOTE

Inside Door panel (D1) and Outside Door panel (D2) are exactly two same glass panels.

PACKAGE CONTENT



HARDWARE CONTENT



Additional spare parts are included.

NOTE

**Inspect all parts for any missing items prior to installation!
Contact us if any parts are missing.**


TOOLS REQUIRED

Drill Bits

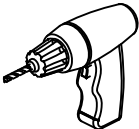


Ø1/4" & Ø5/16" (6 & 8mm) dia.
HSS

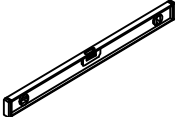
Screw Driver



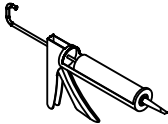
Drill




Level



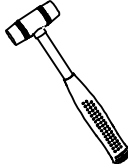
Silicone



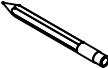
Measuring Tape



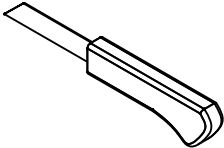
Soft Head Hammer



Pencil



Knife




Masonry Drill Bit For Tile
Ø6mm



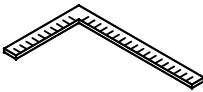
Safety Glasses



Gloves



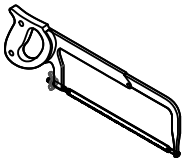
Carpenter's Squarer



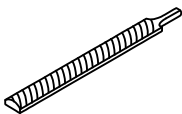
Masking or Painter's Tape



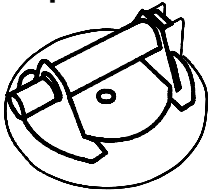
Hack Saw



Metal File



Glass suction Cup



SAFETY INFORMATION

CAUTION

Please carefully read the following important safety information before handling or installing this shower. There is a risk of serious injury while handling this product.

To minimize these risks, please note:

- Always wear safety glasses and gloves while handling.
- Always follow the installation instructions.
- Inspect the glass for damage before installation.
- Extreme caution should be taken while handling the glass during installation, as the tempered glass may shatter if it comes into contact with a hard surface.
- Do not cut or modify the tempered glass, as it will shatter if cut.
- Carefully remove the product from its packaging and keep the packaging until the installation is complete.
- Inspect all parts for damage or missing items. If there is any damage or missing parts prior to installation, please contact your seller for help.
- Cover the drain with tape to prevent the loss of small parts.
- The shower base and finished walls should be installed before beginning the shower door installation.
- During installation, protect the shower floor with a drop cloth to prevent damage.
- This product should be installed by two people who are familiar with construction requirements. Professional installation is recommended!
- Keep this installation manual for future reference.

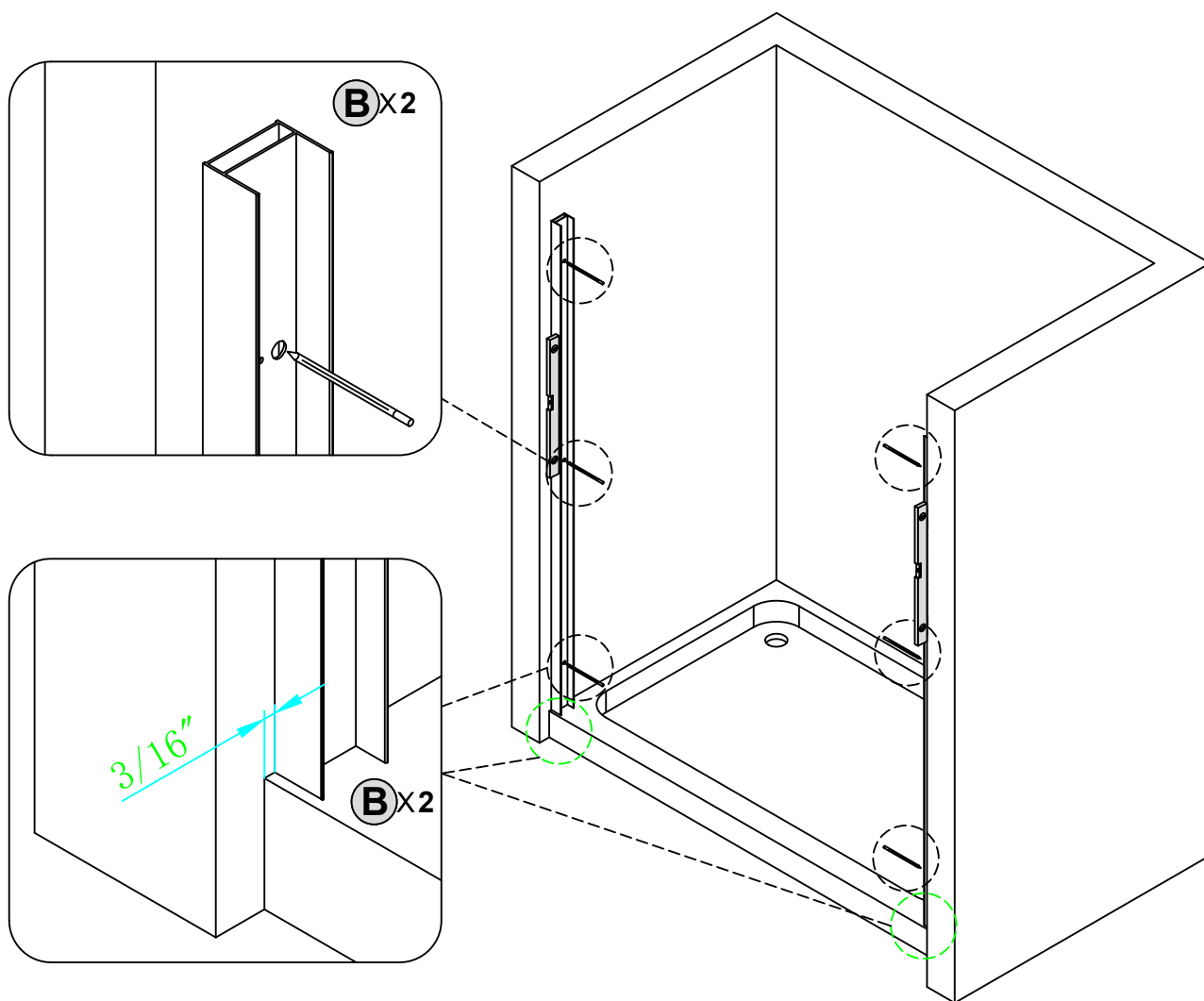
NOTE: Two people should perform this installation.



1 Install **Wall Jambs (B)**

NOTE

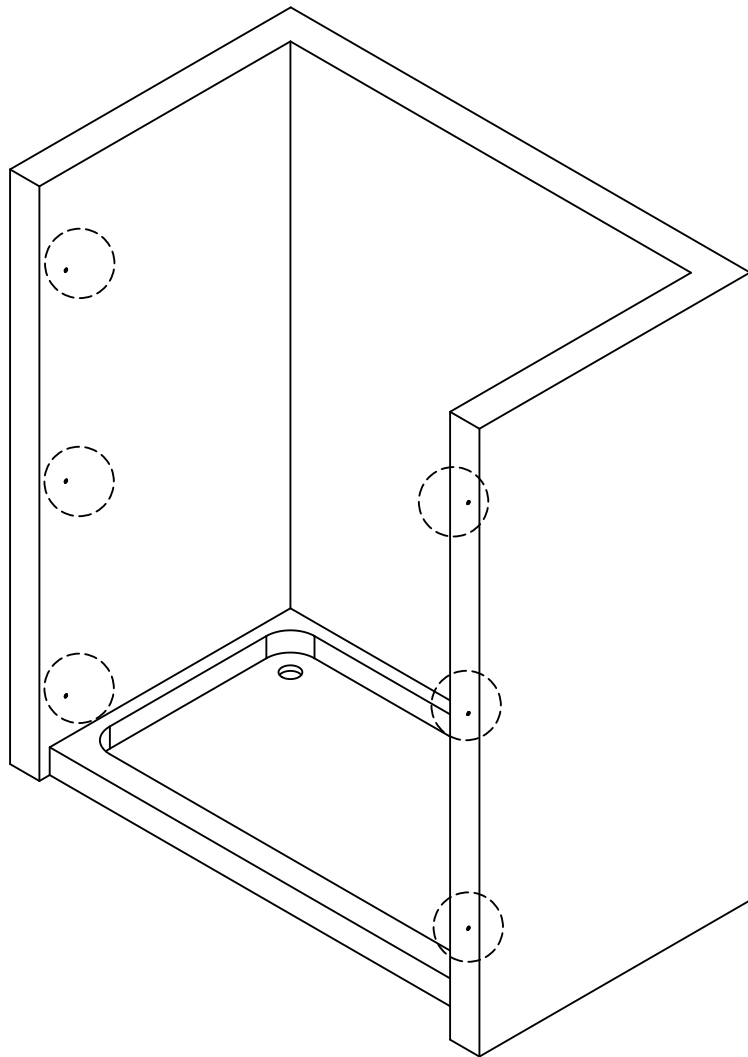
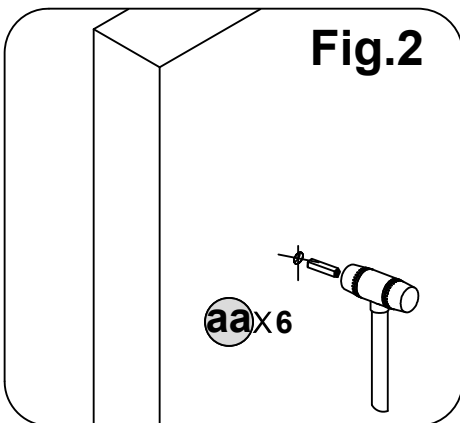
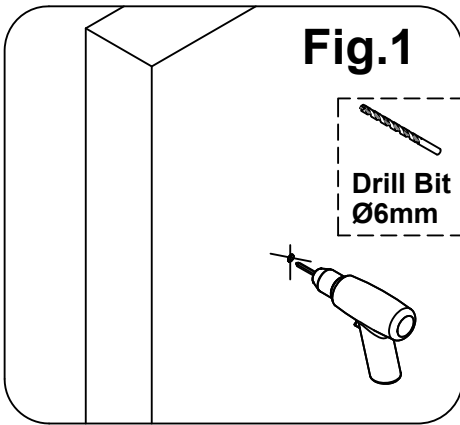
1. Place **Wall Jambs (B)** 3/16" (4.3 mm) from the edge. Ensure it is vertical using a level.
2. Mark the holes on the left and right **Wall Jambs (B)** with a pencil.



2 Install **Wall Jambs (B)**

NOTE

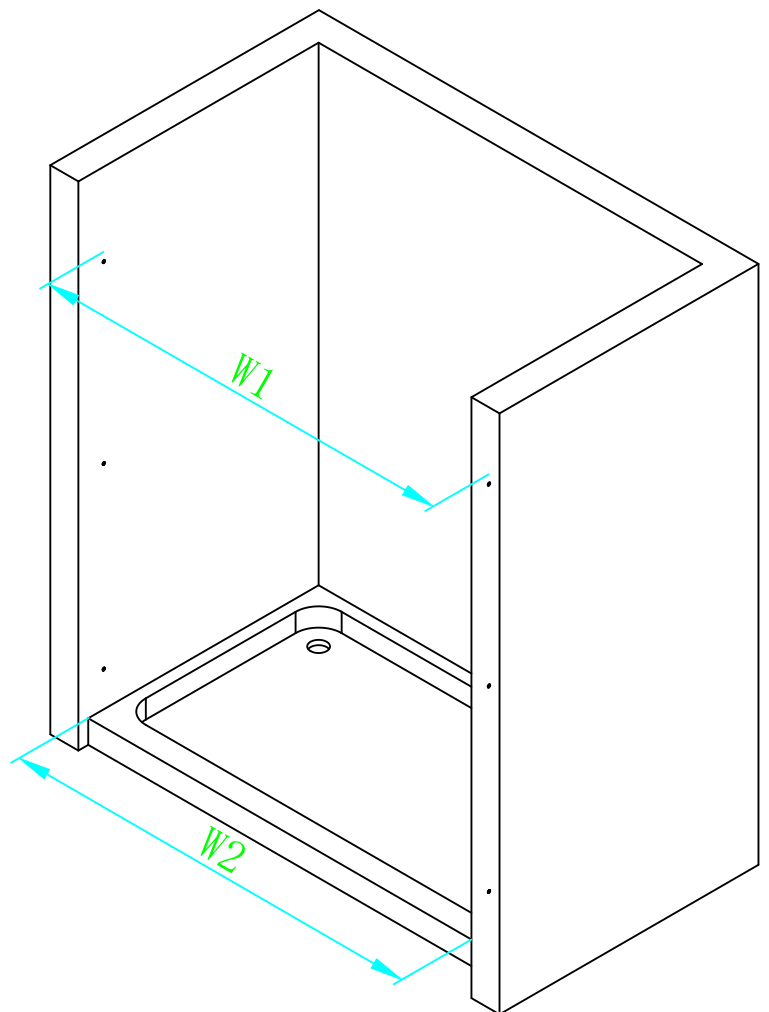
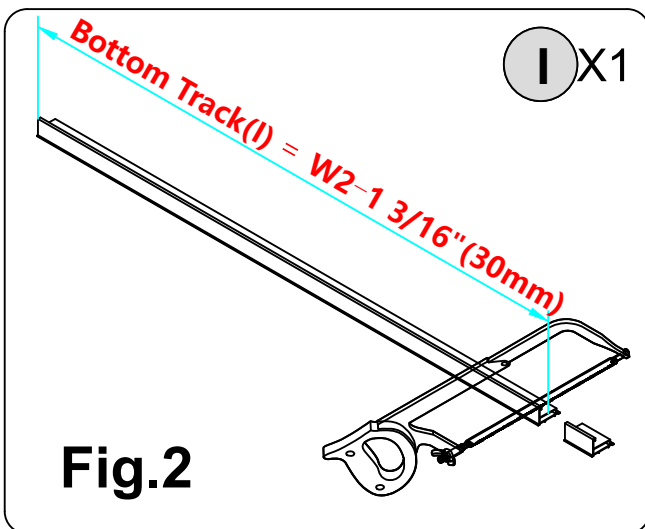
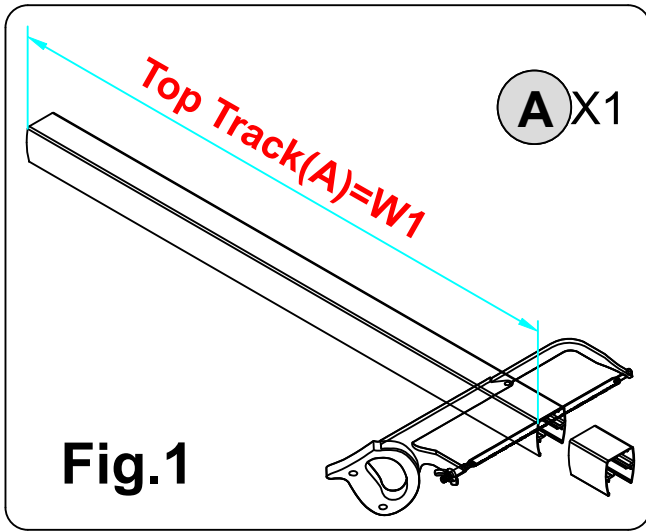
1. Mark the holes on the left and right **Wall Jambs (B)** with a pencil.
2. Tap **Wall Anchor Ø6X28mm (aa)** into the holes with a soft hammer.



3 Cut **Top Track (A)** and **Bottom Track (I)**

NOTE

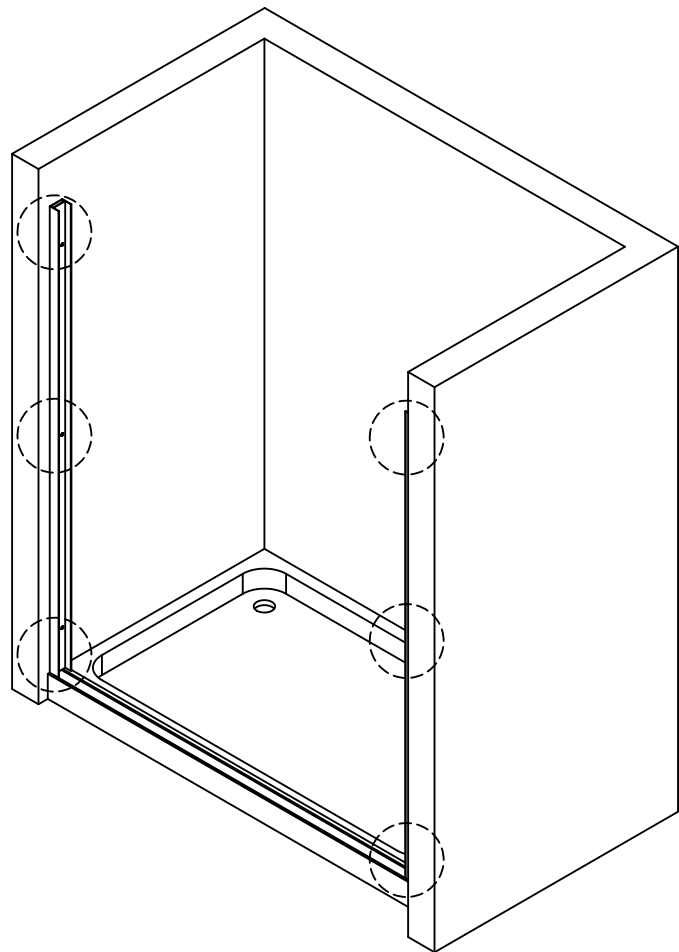
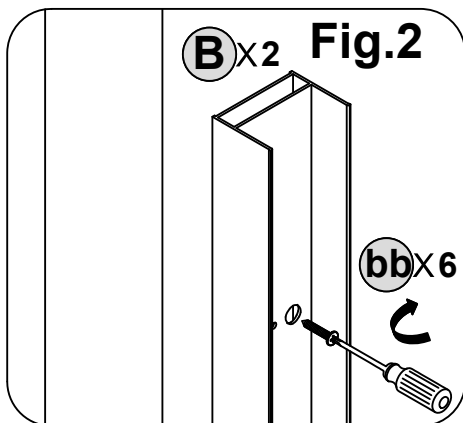
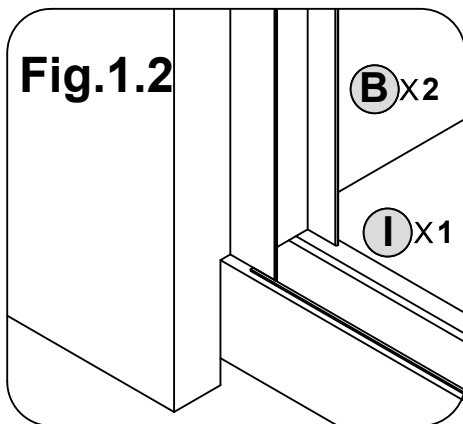
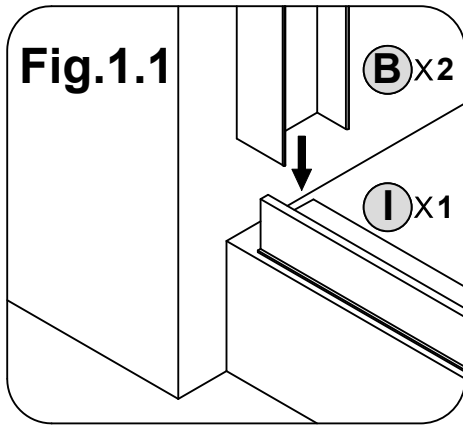
1. Cut **Top Track (A)** to the length of $W1$.
2. Cut off the excess part of **Bottom Track (I)**. The length of **Bottom Track (I)** = measurement $W2$ subtract $1 \frac{3}{16}$ " (30 mm).



4 Install **Bottom Track (I)**

NOTE

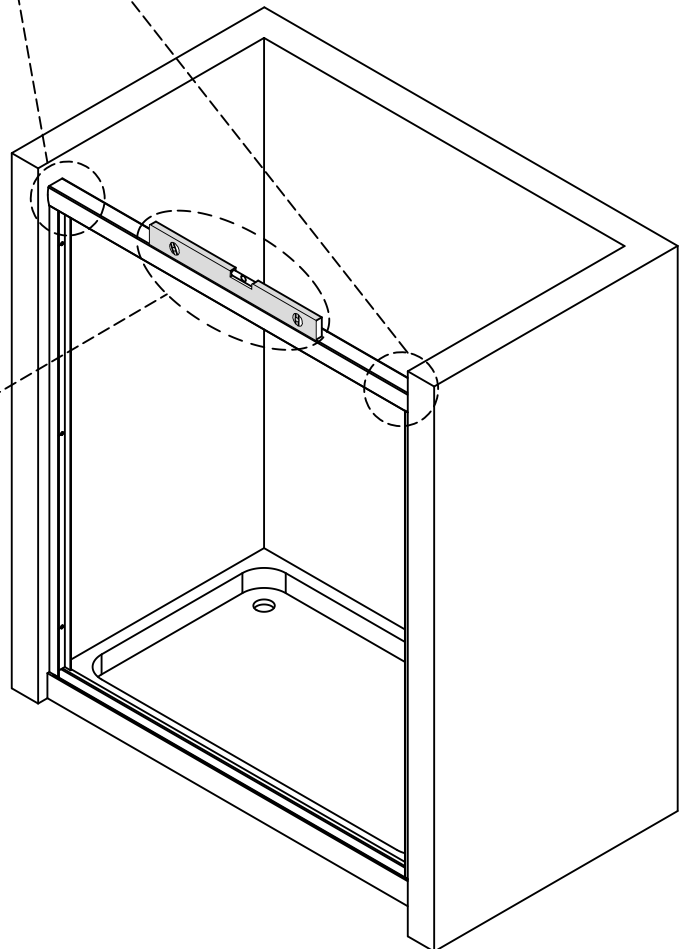
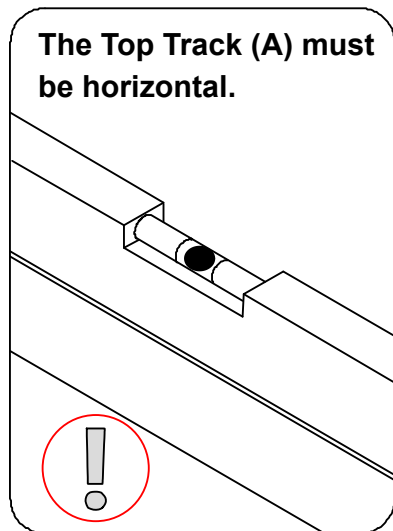
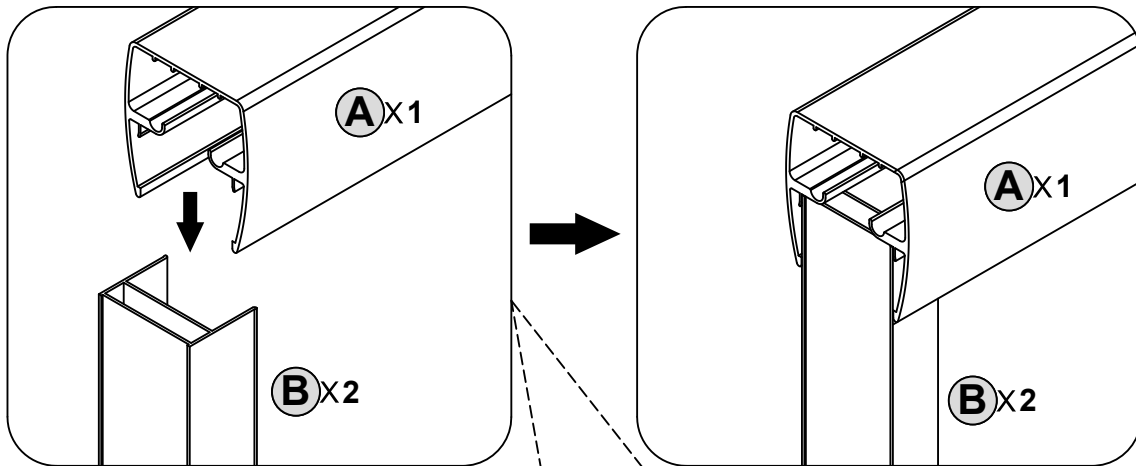
1. Place **Bottom Track (I)** in the appropriate position on the stone foundation. Lift **Wall Jambs (B)** and insert its ends into both sides of **Bottom Track (I)**.
2. Use **Countersunk Self-Tapping Screw ST4x30mm (bb)** to fasten the left and right **Wall Jambs (B)** securely to the wall.



5 Install **Top Track (A)**

NOTE

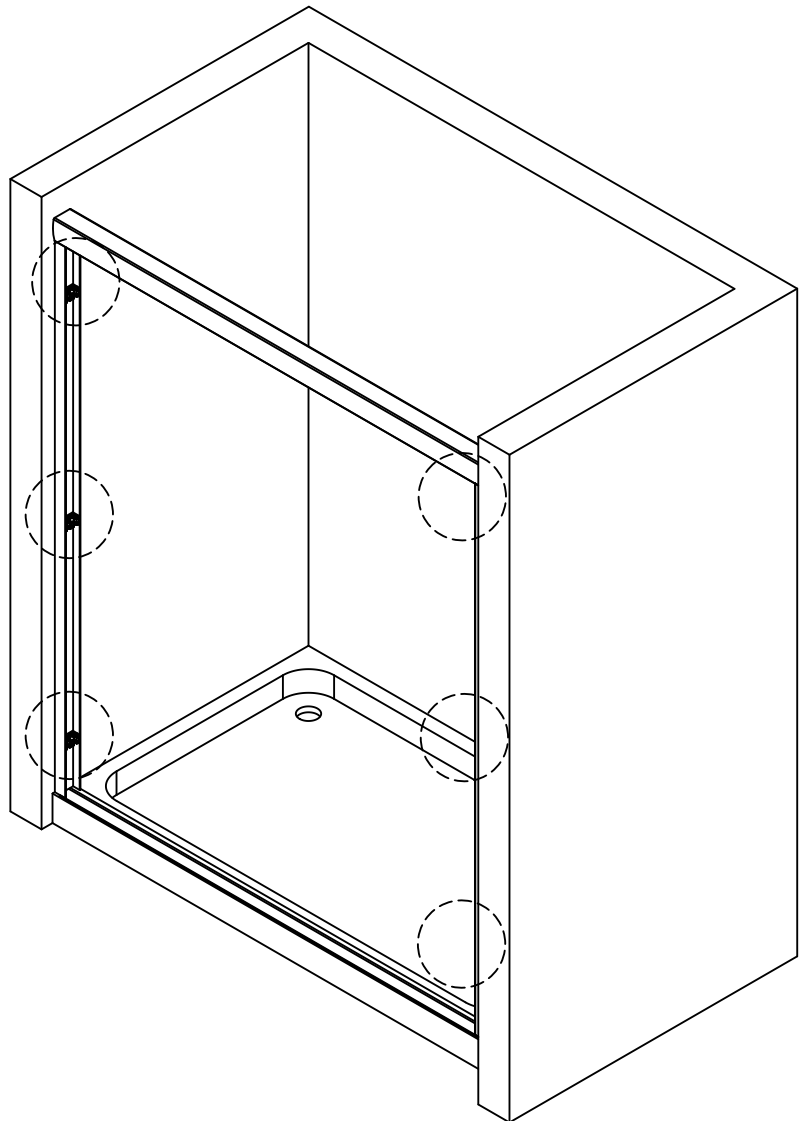
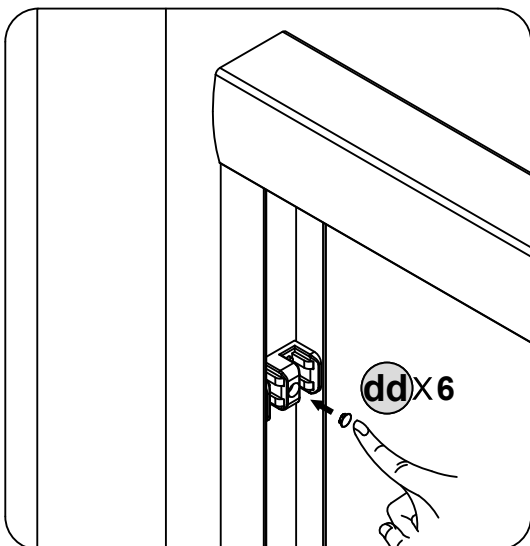
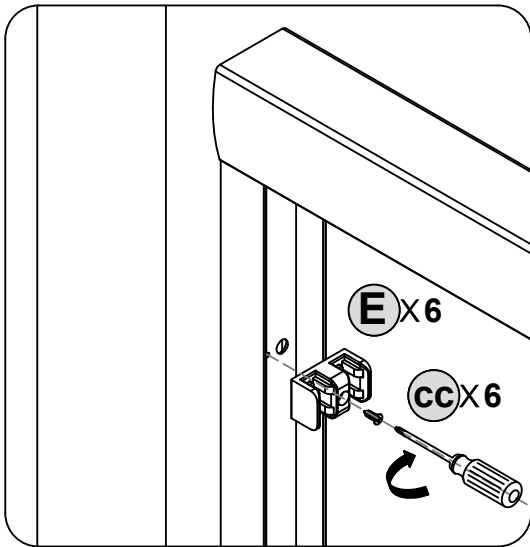
Insert **Top Track (A)** into **Wall Jamb (B)** respectively.



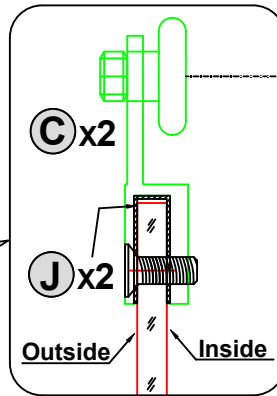
6 Install **Jamb Bumpers (E)**

NOTE

1. Use **Countersunk Self-Tapping Screw ST4x10mm (cc)** to attach **Jamb Bumpers (E)** to the left and right **Wall Jamb (B)**.
2. Place **Decorative Cap (dd)** over the **Countersunk Self-Tapping Screw (cc)**.



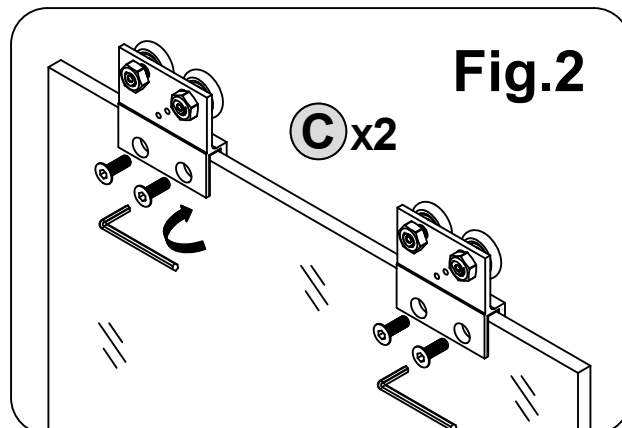
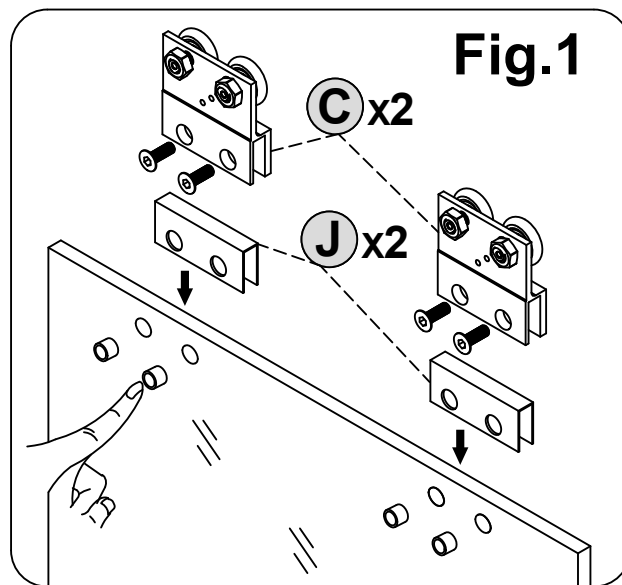
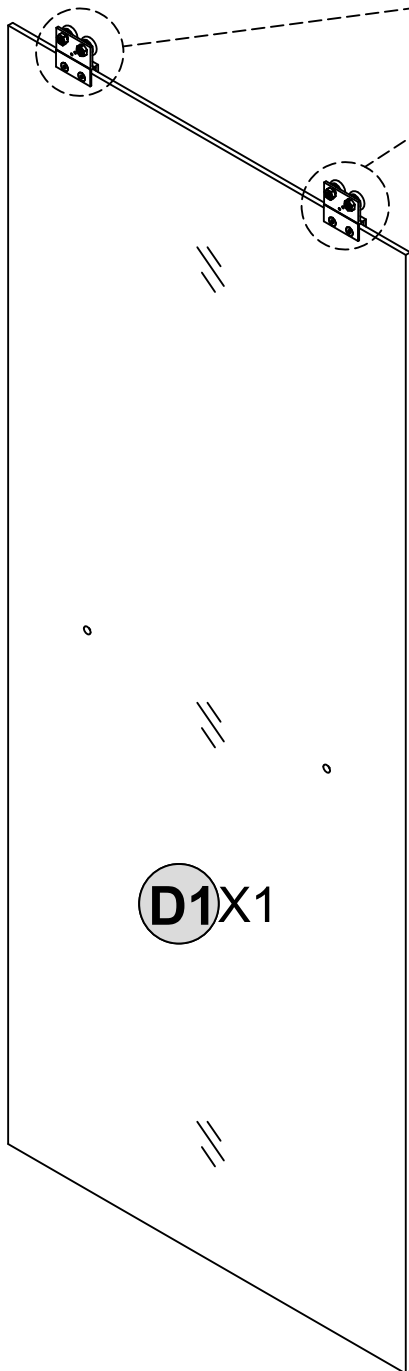
7 Install **Top Roller Bracket (C)** on the **Inside Door Panel (D1)**. Ensure that the wheels are turned inward.



The wheels are turned inward.

NOTE

1. Insert the plastic pipe into **Inside Door Panel (D1)**. Then, insert **Plastic Spacer (J)** and **Top Roller Bracket (C)** into the appropriate position of the **Inside Door Panel (D1)**.
2. Install the 4 screws of **Top Roller Bracket (C)** with an inner hexagon wrench.

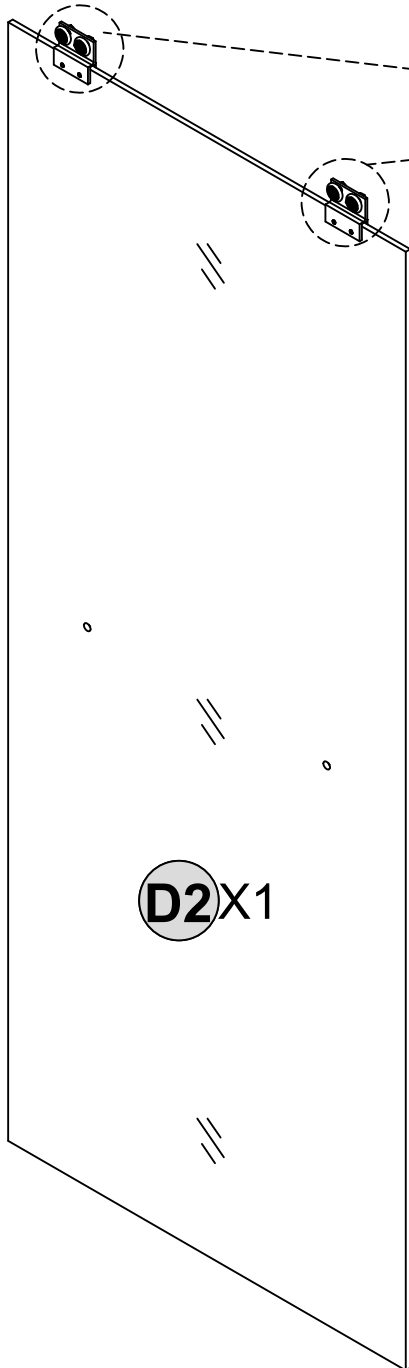
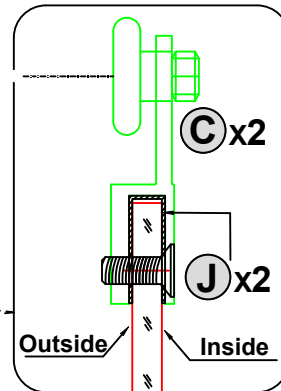


8

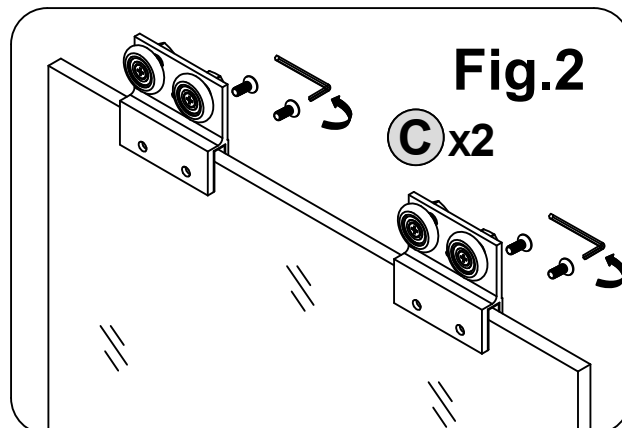
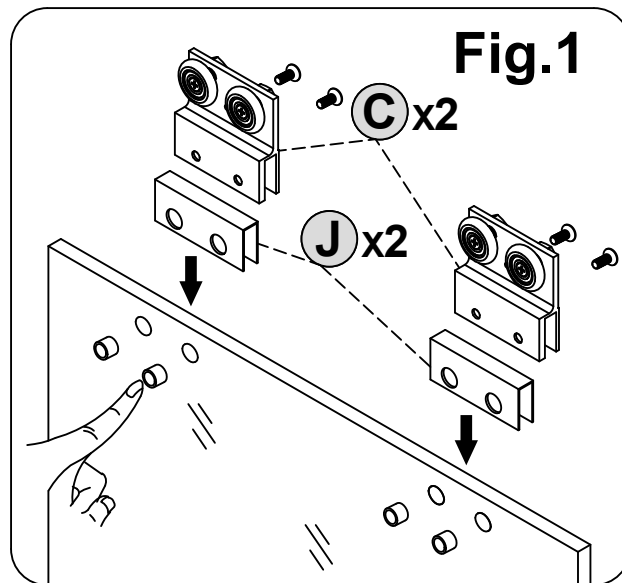
Install **Top Roller Bracket (C)** on **Outside Door Panel (D2)**. Ensure that the wheels are turned outward.

The wheels are turned inward.

NOTE



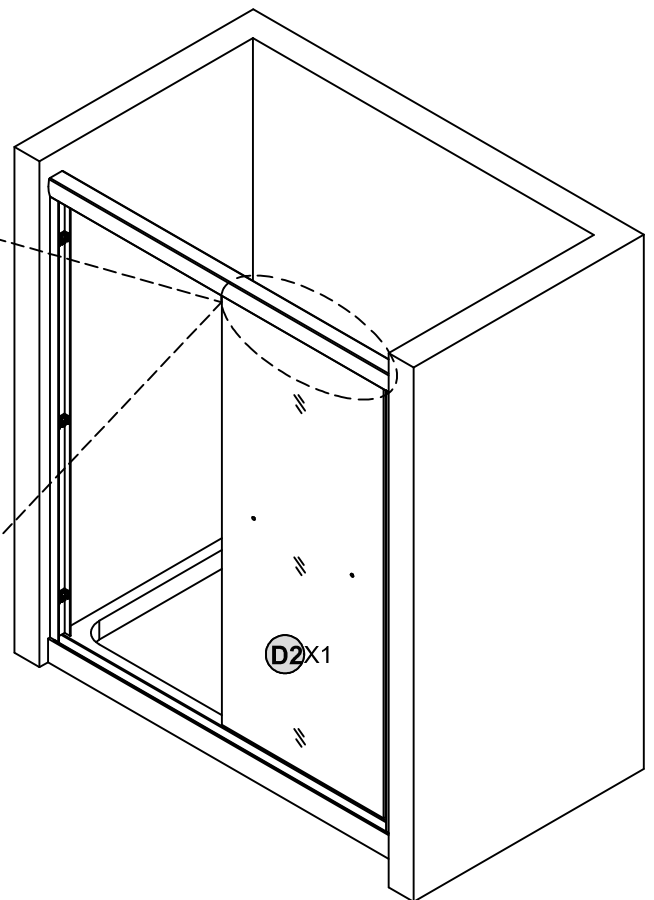
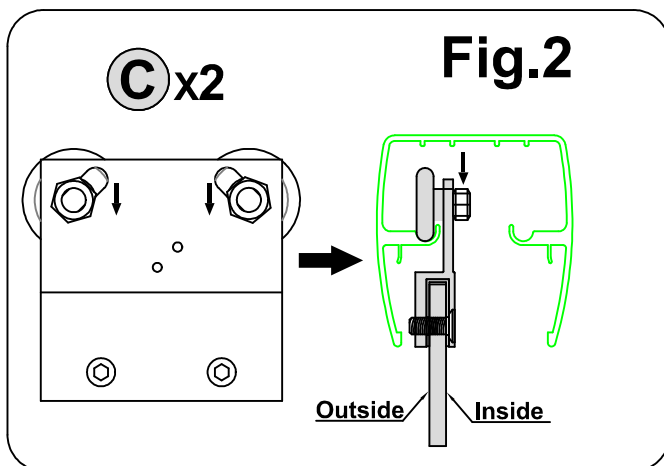
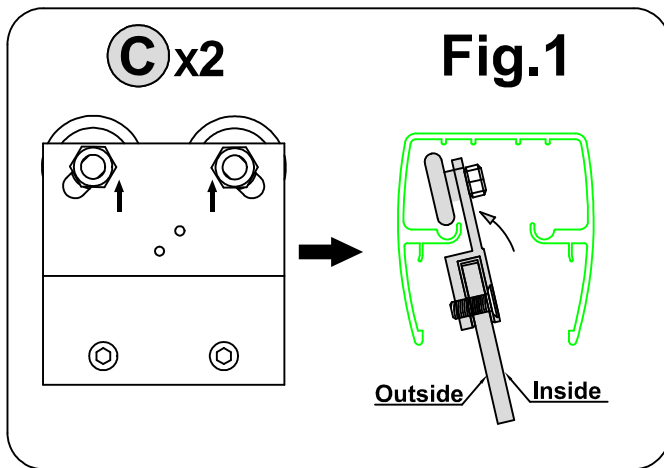
1. Insert the plastic pipe into **Outside Door Panel (D2)**. Then, insert **Plastic Spacer (J)** and **Top Roller Bracket (C)** into the appropriate position of the **Outside Door Panel (D2)**.
2. Install the 4 screws of **Top Roller Bracket (C)** with an inner hexagon wrench.



9 Install Outside Door Panel (D2)

NOTE

1. Adjust the wheel of **Top Roller Bracket (C)** to the highest point. Lift **Outside Door Panel (D2)** and insert it diagonally into the chute of **Top Track (A)**. Ensure the correct insertion direction.
2. After inserting **Top Roller Bracket (C)** into the chute of **Top Track (A)**, lower the wheel to the lowest point to secure it.



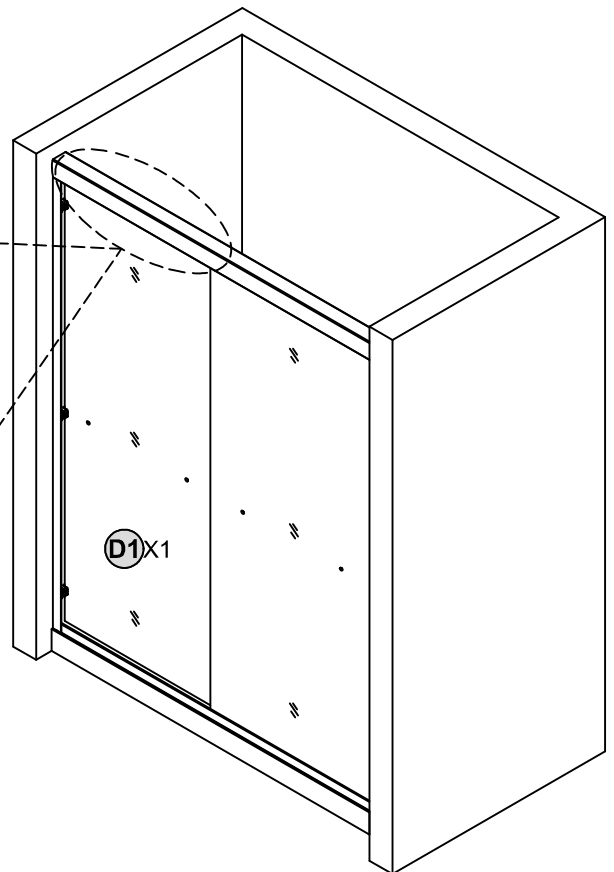
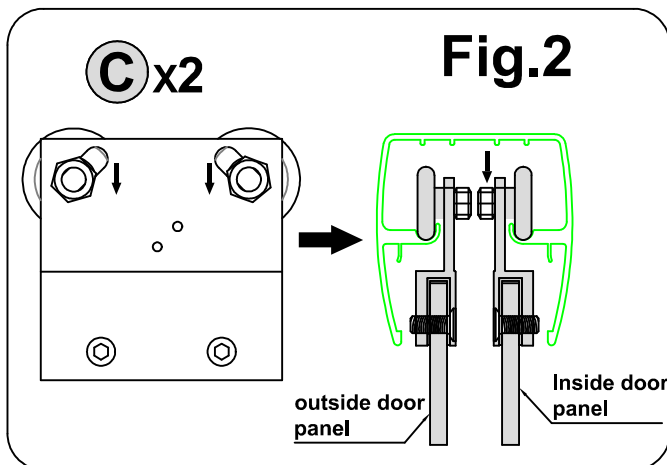
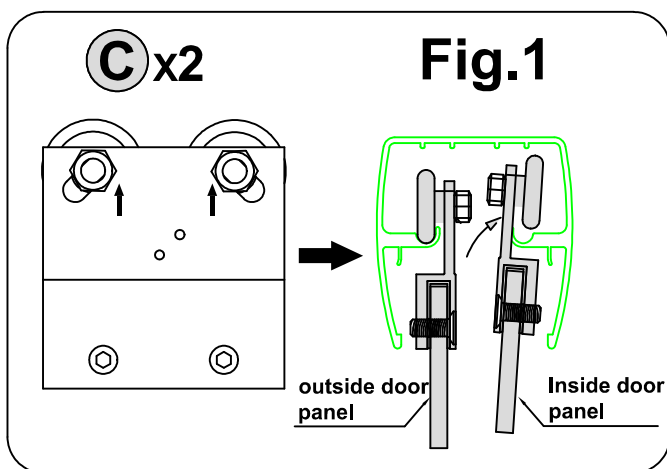
NOTE

Do not install the towel bar on the glass unless instructed.
 Do not use the towel bar to lift the door panel.
 Adjust the wheels of the **Top Roller Bracket (C)** if needed to align the door panel vertically with the wall to prevent water leakage.

10 Install Inside Door Panel (D1)

NOTE

1. Adjust the wheel of **Top Roller Bracket (C)** to the highest point. Lift **Inside Door Panel (D1)** and insert it diagonally into the chute of **Top Track (A)**. Ensure the correct insertion direction.
2. After inserting **Top Roller Bracket (C)** into the chute of **Top Track (A)**, lower the wheel to the lowest point to secure it.



NOTE

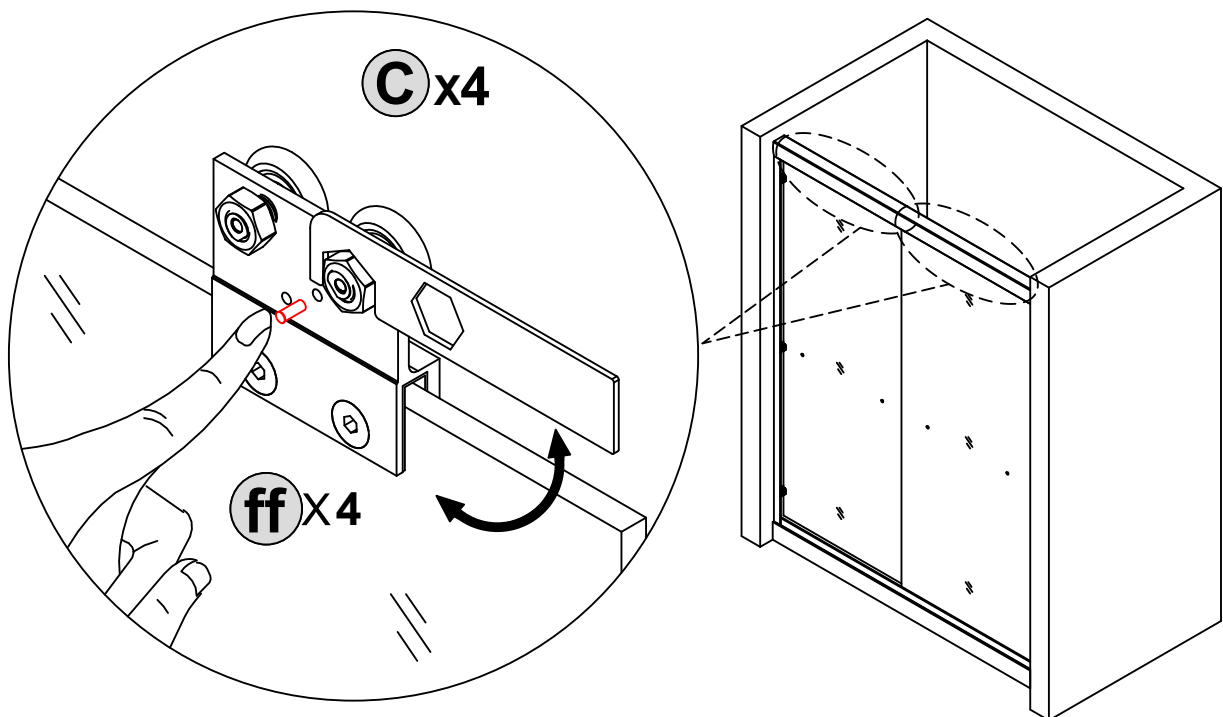
- Do not install the towel bar on the glass unless instructed.
 Do not use the towel bar to lift the door panel.
 Adjust the wheels of the **Top Roller Bracket (C)** if needed to align the door panel vertically with the wall to prevent water leakage.

11 Adjust the Height of the **Inside Door Panel (D1)** and the **Outside Door Panel (D2)**

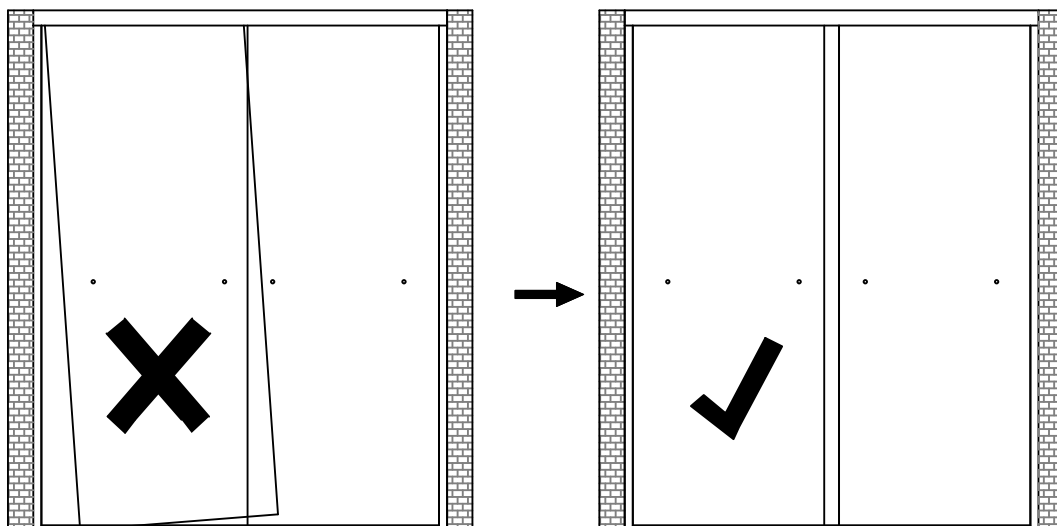
NOTE

Adjust the **Top Roller Bracket (C)** to the appropriate height to ensure that both **Door Panels (D1&D2)** slide smoothly, and tighten the nuts on the wheels. Then press the **Derailment-Preventing Rubber Plug (ff)** into the hole of the **Top Roller Bracket (C)**.

(Note: when **Top Roller Bracket (C)** be adjusted to a high position, the **Derailment-Preventing Rubber Plug (ff)** is pressed into the upper hole. And when **Top Roller Bracket (C)** should adjusted to a low position, the **Derailment-Preventing Rubber Plug (ff)** is pressed into the lower hole.)



NOTE

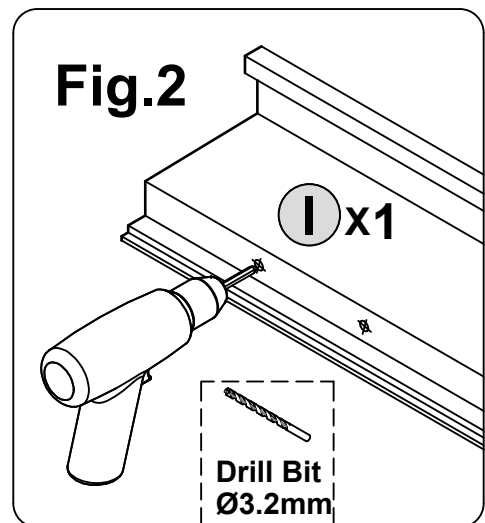
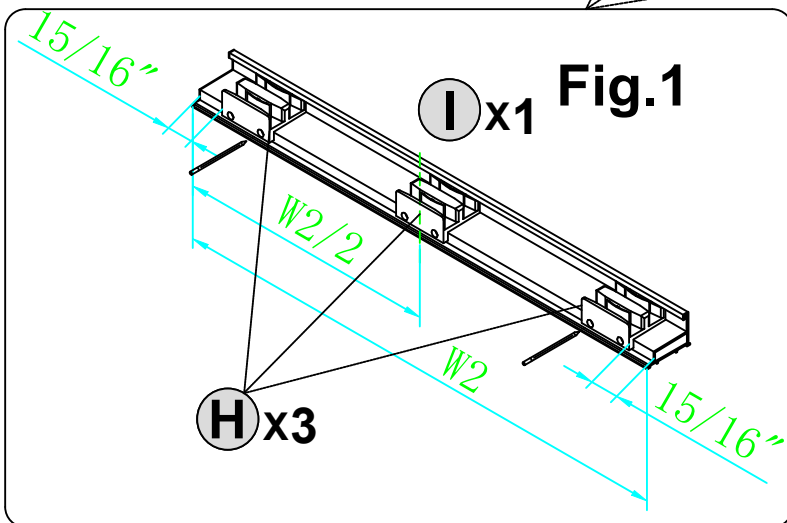
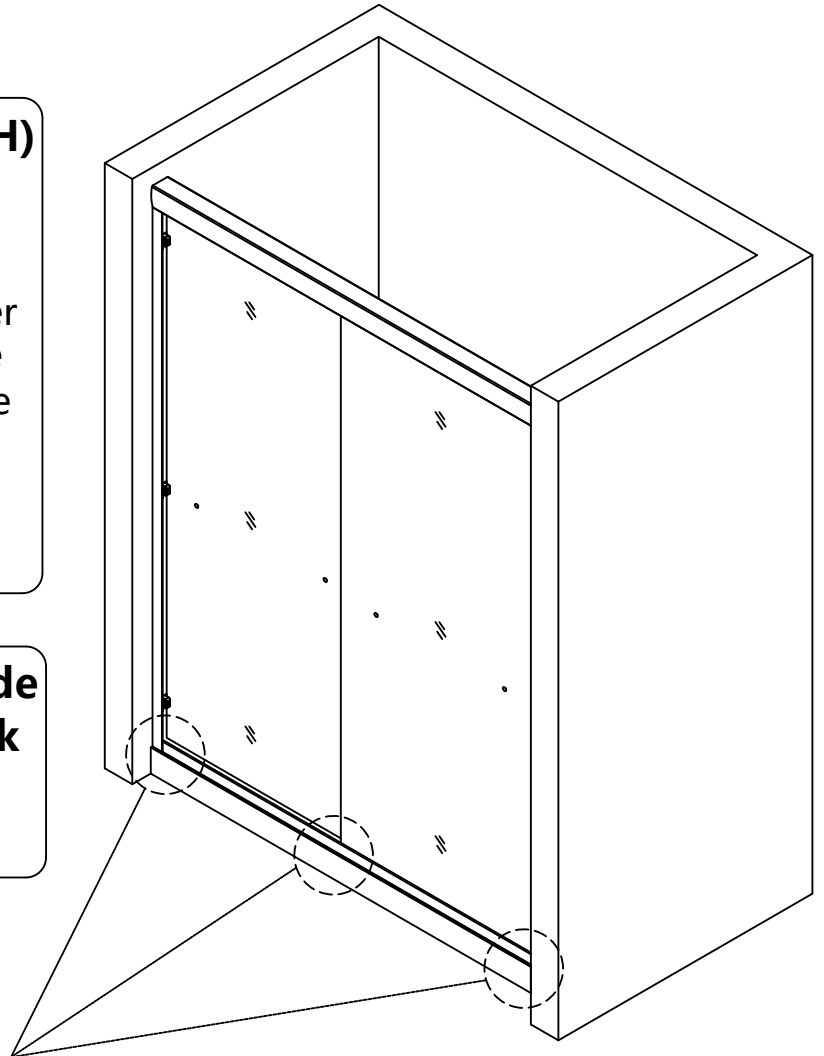


12 Install **Bottom Guide (H)**

NOTE

1. Place the **Bottom Guide (H)** on the **Bottom Track (I)** position sliders at the 15/16 inch (23.5 mm) mark at both end. Position the middle slider at the midpoint ($W2/2$) of the **Bottom Track (I)**. Mark the corresponding holes for each **Bottom Guide (H)** with a pencil.

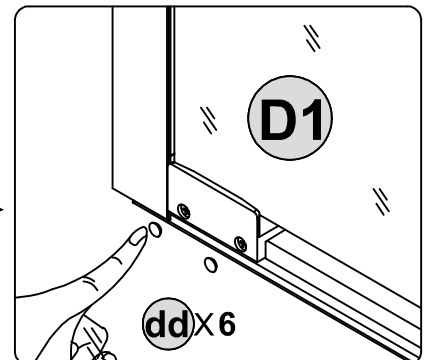
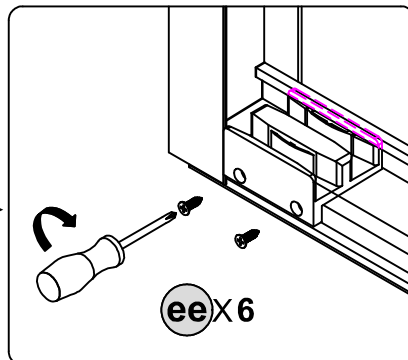
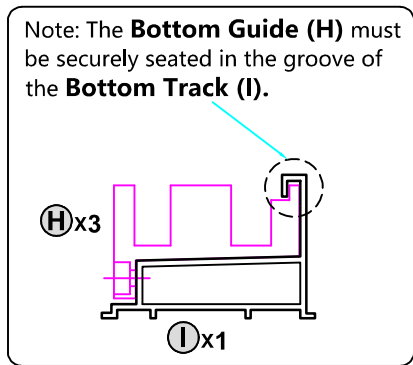
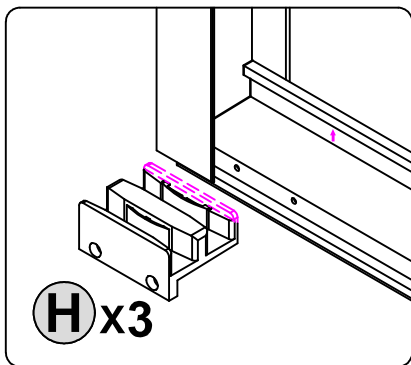
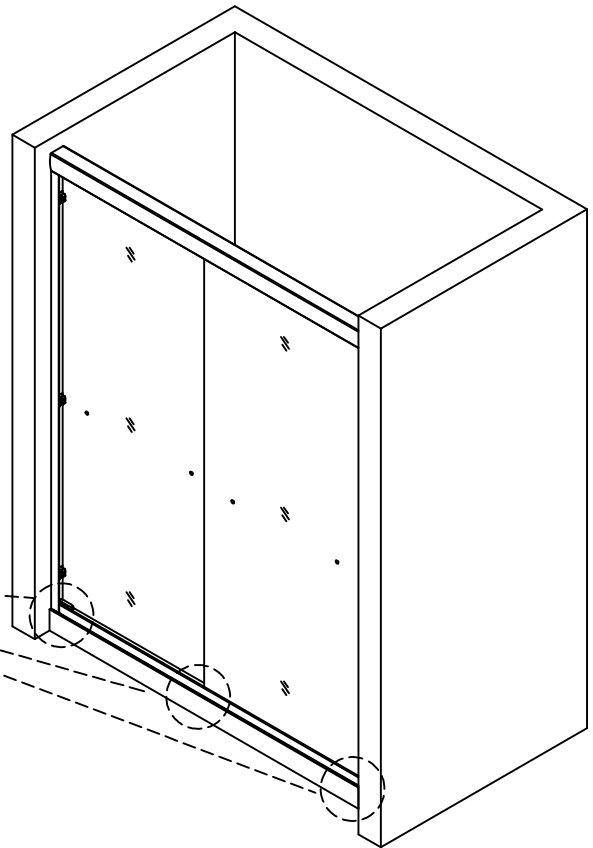
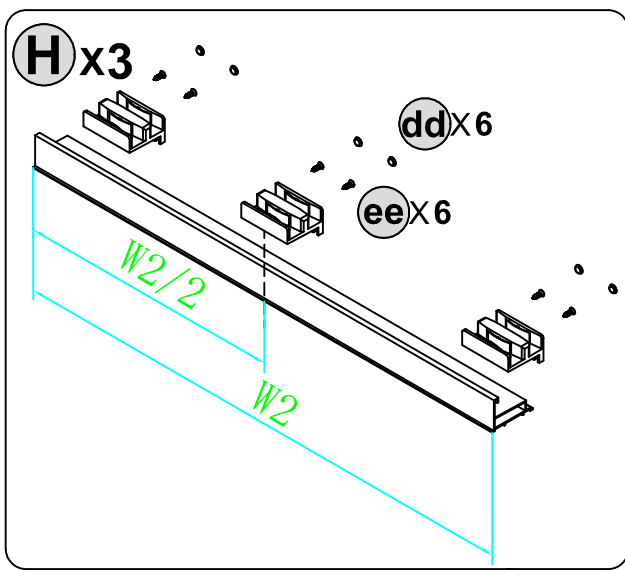
2. Remove each **Bottom Guide (H)** from the **Bottom Track (I)**, drill 3.2 mm holes at the marked positions.



13 Install Bottom Guide (H)

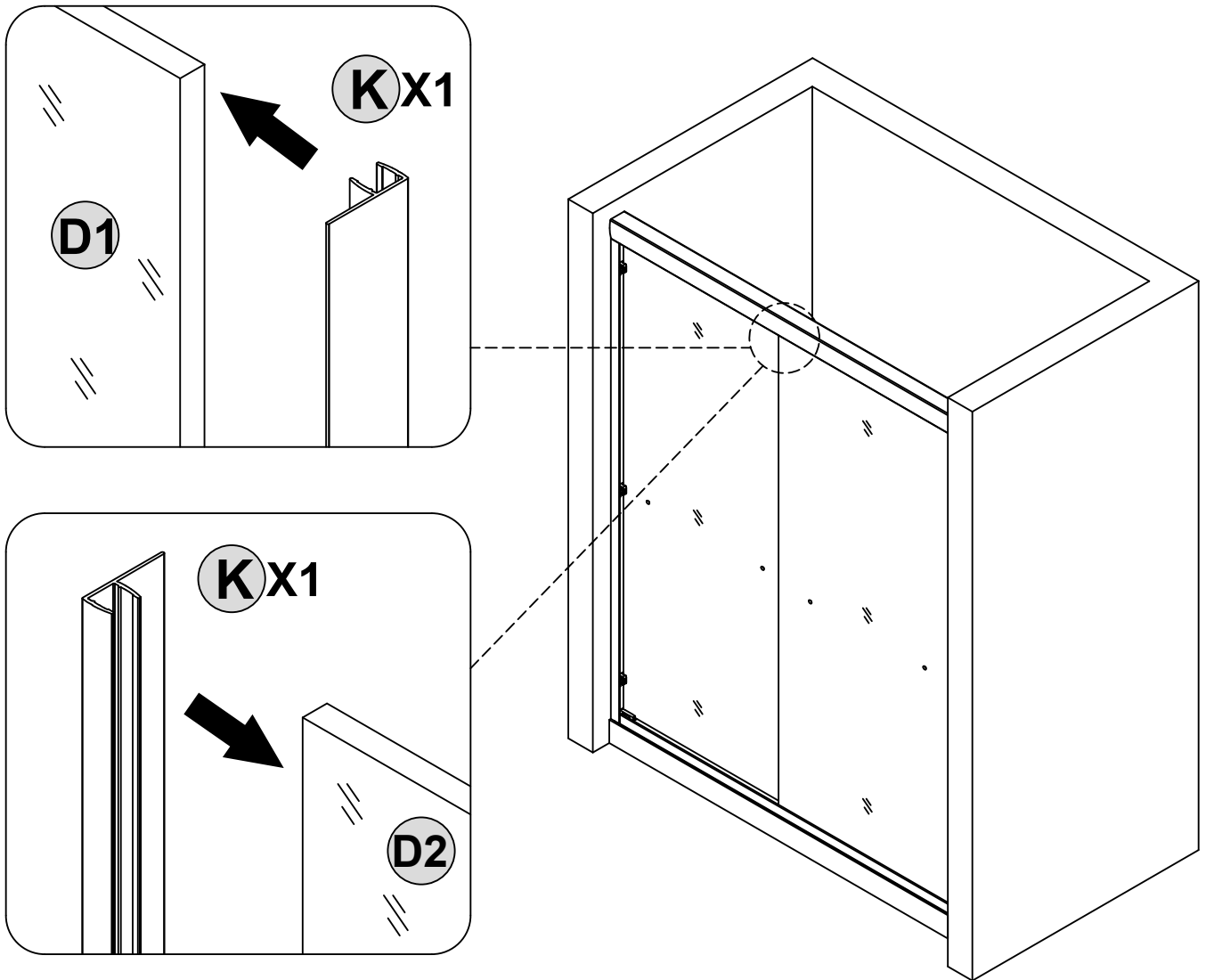
NOTE

First install the **Bottom Guide (H)** on the **Bottom Track (I)** separately. **Bottom Track (I)** left, center, and right positions, with **Countersunk Self-Tapping Screw ST4X16mm (ee)** lock **Bottom Guide (H)**, cover the **Ecorative Cover (dd)**, and then the **Inside Door Panel (D1)** and **Outside Door Panel (D2)** propulsion Slider within the slot.



14 Install **Door seals (K)**

NOTE Install a **Door Seal (K)** on each door panel.



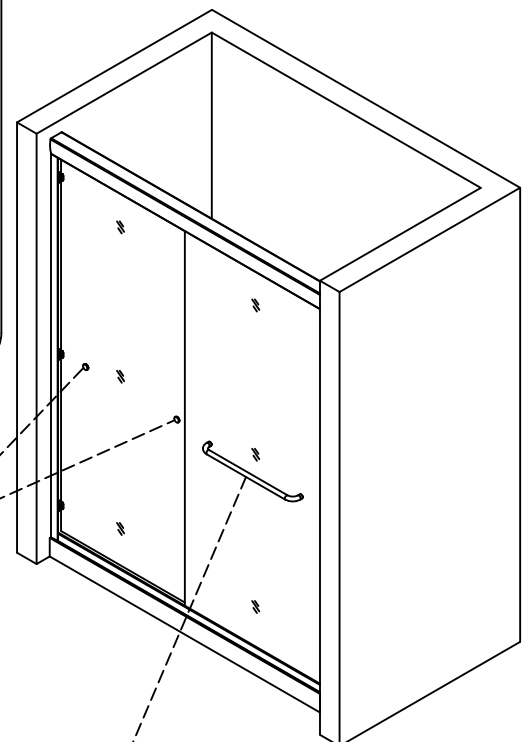
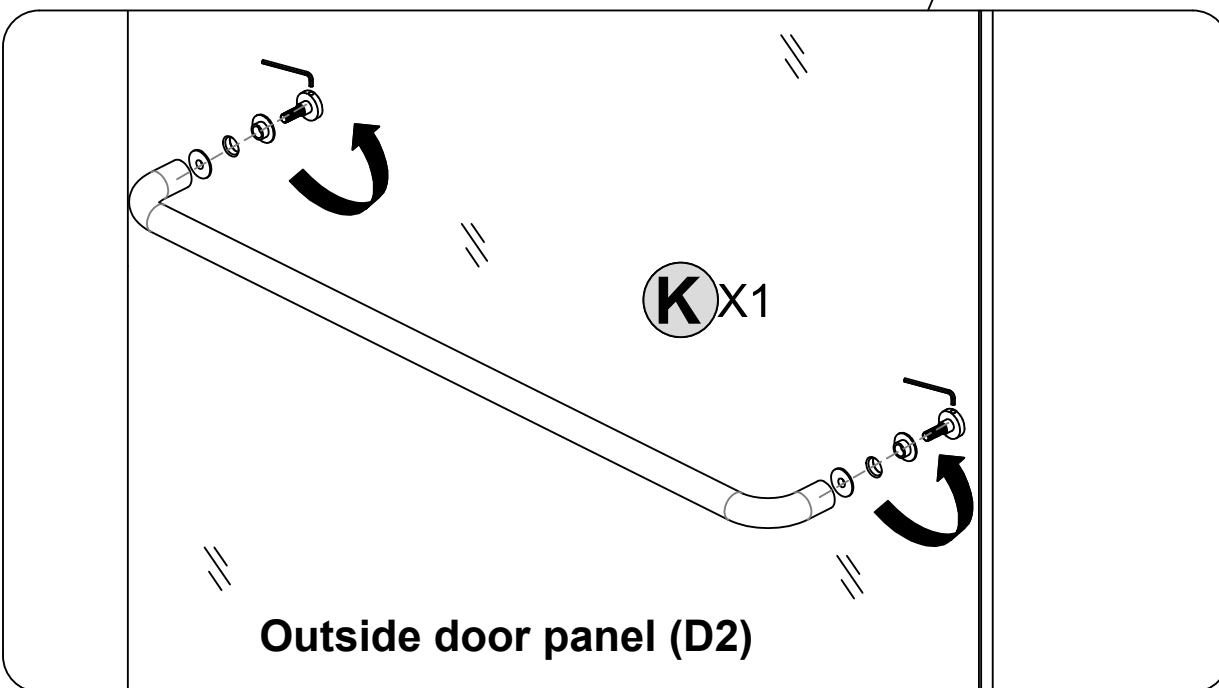
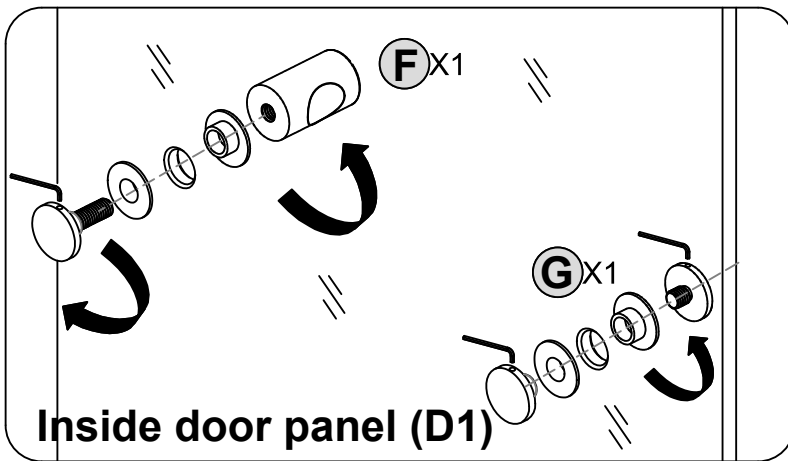
1. The **Door Seals (K)** should be fixed on the **Door Panels (D1 & D2)**.
2. The **Door Seals (K)** should be as high as the **Door Panels (D1 & D2)**.



15 Install **Knob A (F)**, **Knob B (G)**, and **Towel Bar (L)**

NOTE

First secure **Knob A (F)** and **Knob B (G)** to the **Inside Door Panel (D1)** using the provided screws. Next, attach **Towel Bar (L)** to the **Outside Door Panel (D2)**. Throughout the process, ensure that all supplied rubber gaskets are used to protect the glass from scratches or damage



16 SEALING

NOTE The surfaces need to be clean and free of debris before applying silicone.

NOTE Make sure that the shower door is tightly closed and opens smoothly. Use silicone sealant to seal along the entire length of the **Wall Jambs (B)** and **Bottom Track (I)** outside the shower.



Allow 24 hours for the silicone to cure before using the shower.

