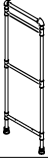
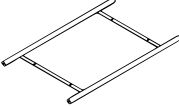
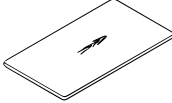
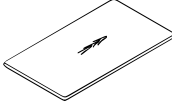

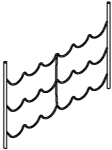


# ASSEMBLY INSTRUCTION









## Water Pipe Shelf

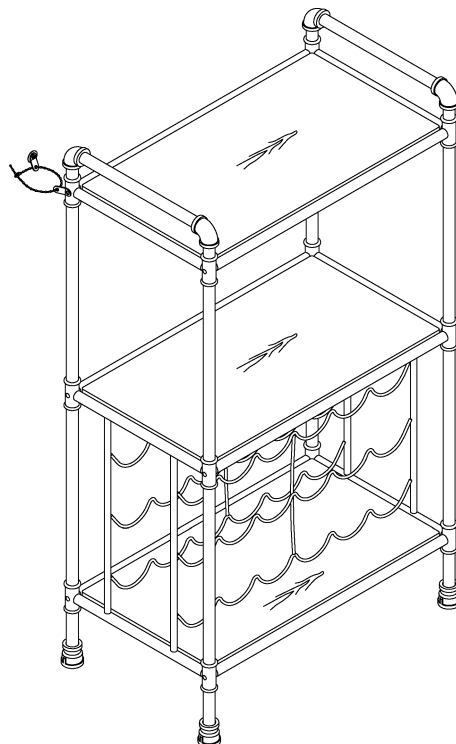
Thank you for purchasing this quality product. Be sure to check all packing materials carefully for small parts which may have come loose inside the carton during shipment. Separate, identify, and count all parts and metal hardware. Compare with parts list to be sure all parts are present. If any part(s) are missing or damaged, please contact your local furniture dealer. For efficient and speedy service, please indicate the model number and code letter of the part(s) needed.

**\*\*\* Do not fully tighten screws until fully assembled \*\*\***

COMPONENT PARTS		
DECERPTION	PART NAME	Q'TY(PCS)
①	Side Frame 	2pcs
②	Support Frame 	3pcs
③	Top Board 	1pc
④	Middle/Down Board 	2pcs
⑤	Cup Rack 	1pc
⑥	Red Wine Rack 	2pcs

## HARDWARE REQUIRED:

(A) 	Bolt 1/4"x1/2" - 5pcs
(B) 	Bolt 1/4"x1-5/8" - 16pcs
(C) 	Allen Wrench M4 - 1pc
(D) 	Screw M5x12 - 12pcs
(E) 	Screw M4x37 - 1pc
(F) 	Metal Plate - 2pcs
(G) 	Bracket - 1pc
(H) 	Girding - 1pc



### Attention:

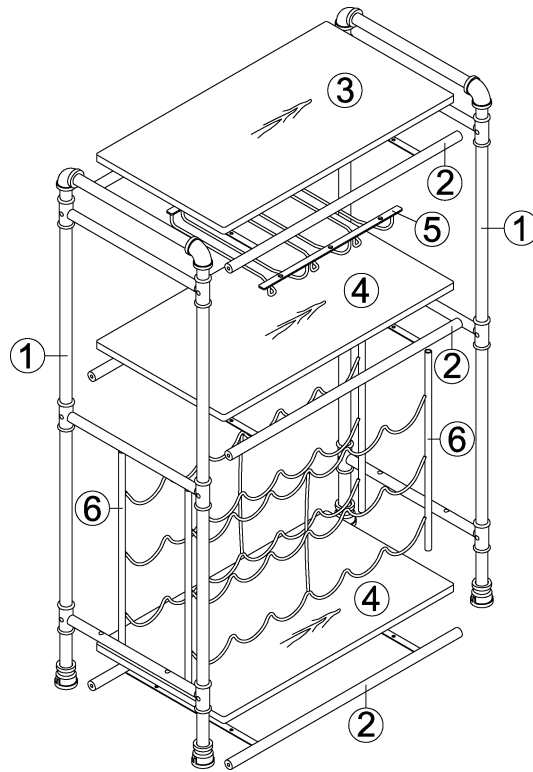
\*\*\*Mattresses not included.

\*\*\*Some number parts listed on the instruction sheet may not be in parts bag as they may already be assembled. Carefully check parts and packing materials prior to ordering replacements.

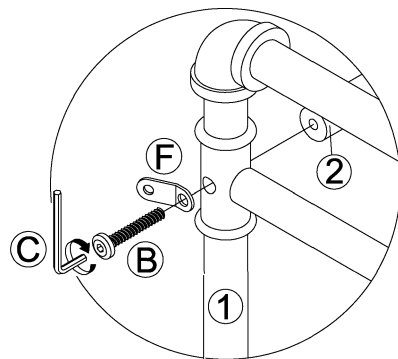
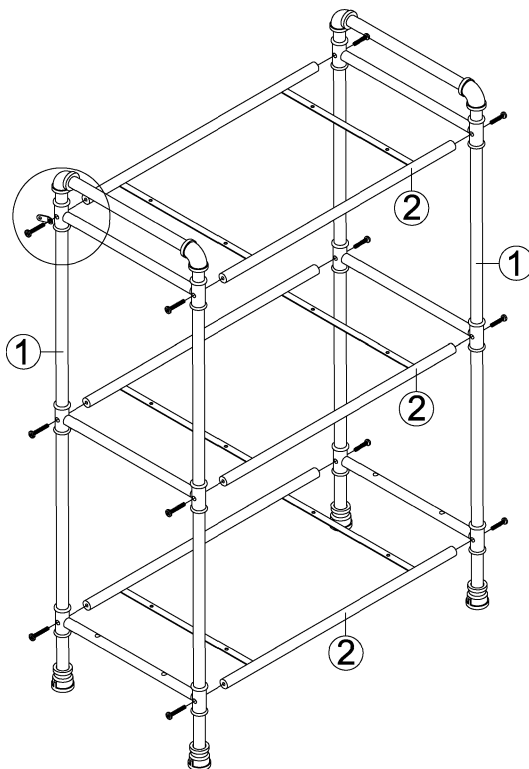
# How to Assemble:



## STEP 1.

### Exploded View



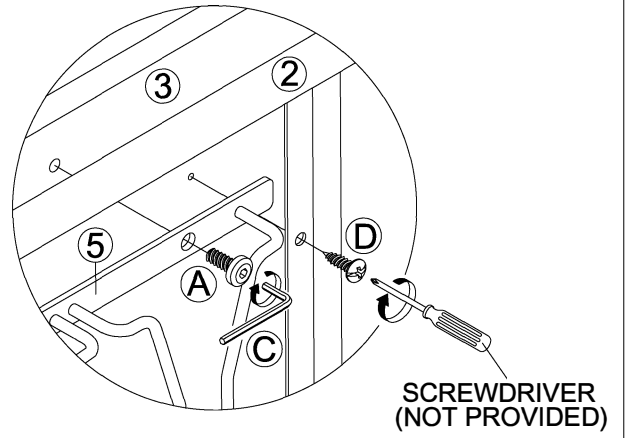
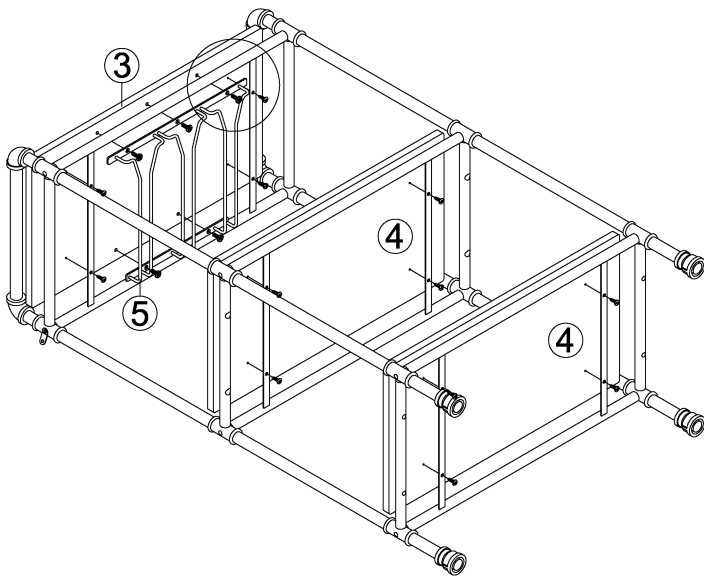
## STEP 2.





(B)		12pcs
(F)		1pc

# How to Assemble:

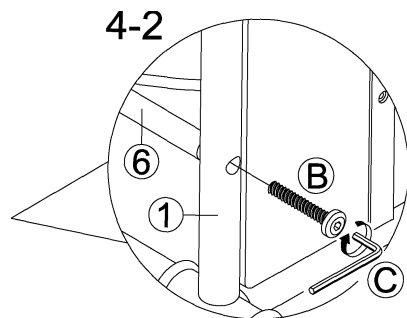
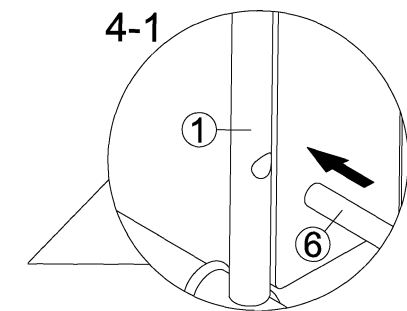
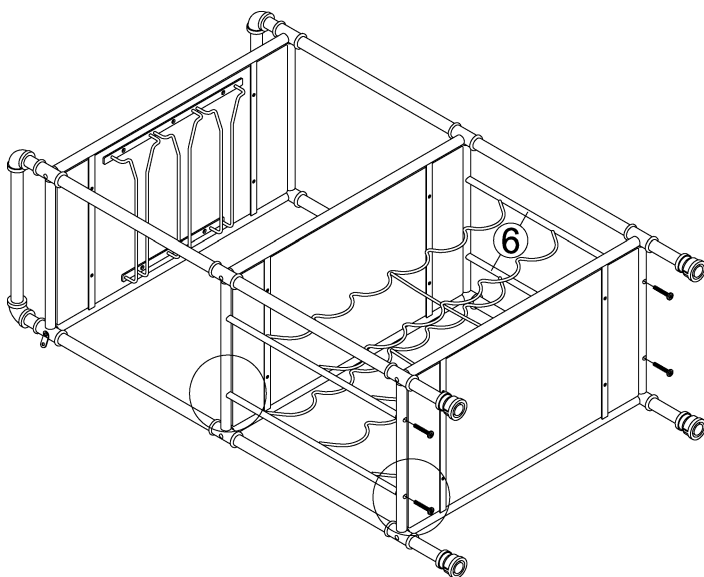
## STEP 3.



SCREWDRIVER  
(NOT PROVIDED)

(A)		5pcs
(D)		12pcs

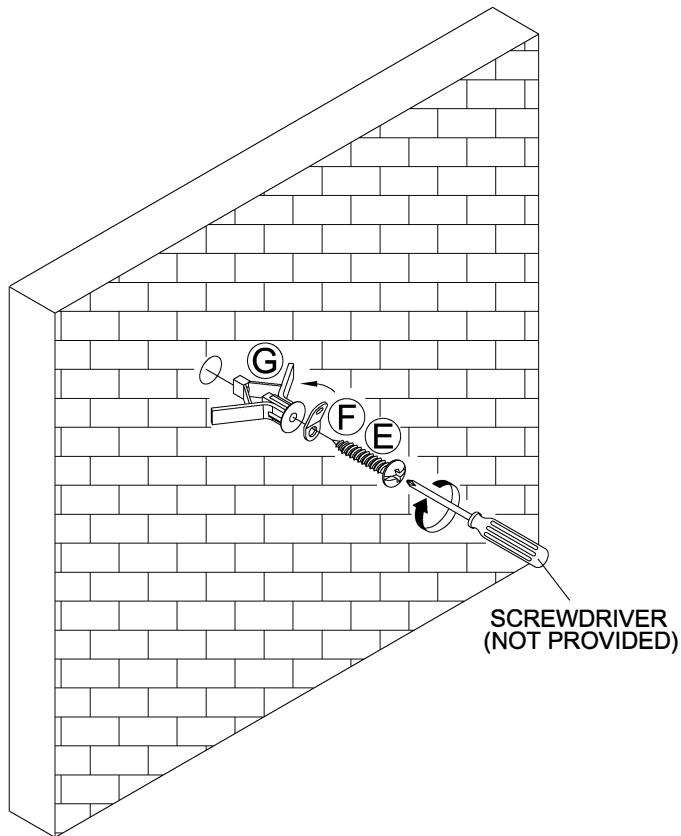
## STEP 4.



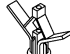


(B)		4pcs
-----	---	------

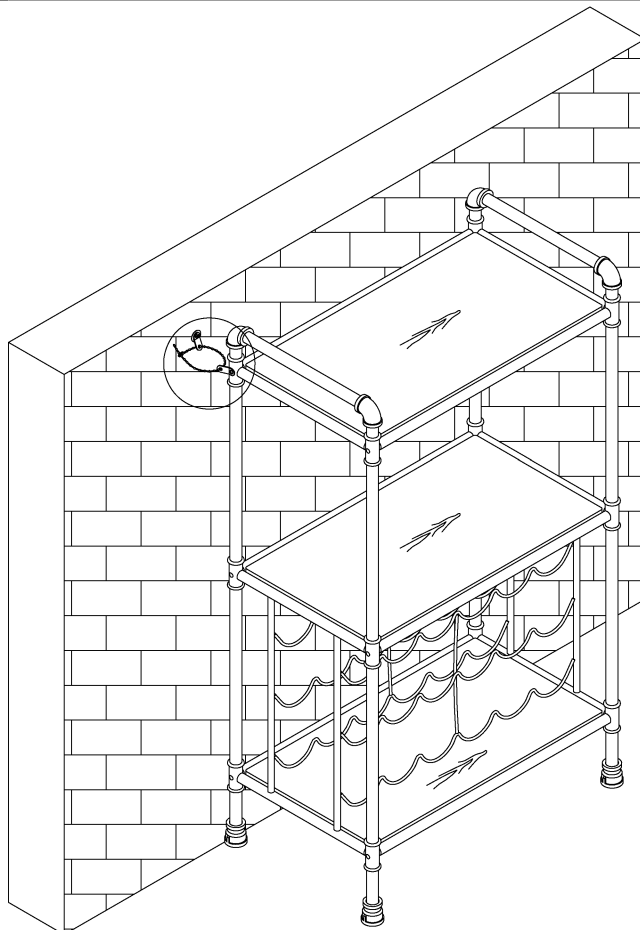
# How to Assemble:

## STEP 5.

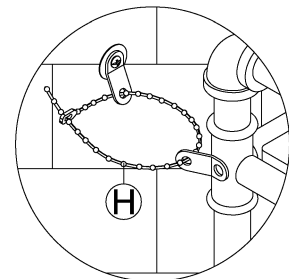



E		1pc
F		1pc
G		1pc

## STEP 6.



To Prevent Tip over  
Product Must Be  
Attached To Wall



H		1pc
---	---	-----