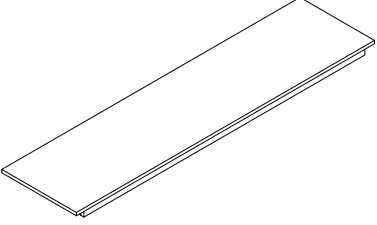
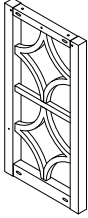
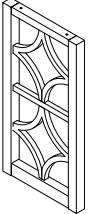
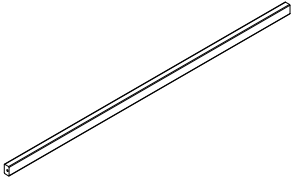






**ASSEMBLY INSTRUCTIONS**  
**ITEM # : 30080-40**  
**ARIA NESTING CONSOLE TABLE**

## NESTING CONSOLE PARTS & HARDWARE LIST

 <p>(A) TABLE TOP x 1</p>	 <p>(B) SIDE FRAME x 1</p>	 <p>(C) SIDE FRAME x 1</p>
 <p>(D) BACK SUPPORT x 1</p>		
 <p>(H1) ALLEN BOLT x 12 (Ø5/16" *45 MM)</p>	 <p>(H2) SPRING WASHER x 12 (Ø5/16")</p>	 <p>(H3) FLAT WASHER x 12 (Ø5/16"*19*1.5)</p>
 <p>(H5) ALLEN KEY x 1 (M4)</p>		

**Customer Service Contact Information:**

Toll Free Phone Number: 1-844-771-2727

Email: [consumercare@lanefurniture.com](mailto:consumercare@lanefurniture.com)

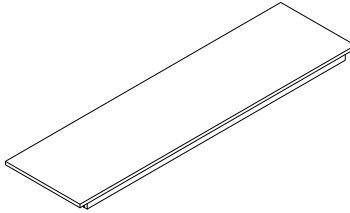
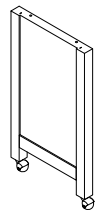
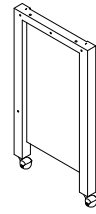
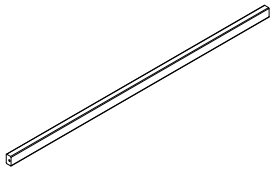
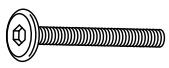



Website: [www.lanefurniture.com](http://www.lanefurniture.com)

**NOTES :**

1. CHECK CAREFULLY FOR SMALL PARTS WHICH MAY COME LOOSE DURING SHIPMENT.
2. REMOVE ALL COMPONENTS FROM THE PACK AND PLACE ON A CLEAN, SOFT SURFACE TO ASSEMBLE.
3. UNITS SHOULD BE ASSEMBLED BY TWO OR MORE PEOPLE.
4. DO NOT OVER - TIGHTEN SCREW/ BOLTS UNTIL ASSEMBLY IS COMPLETED.
5. WITH USE, SCREW/ BOLT MAY BE COME LOOSE & MUST BE TIGHTENED PERIODICALLY.



**ROLLING CONSOLE PARTS & HARDWARE LIST**

 <p><b>(E)</b> TABLE TOP x 1</p>	 <p><b>(F)</b> SIDE FRAME x 1</p>	 <p><b>(G)</b> SIDE FRAME x 1</p>
 <p><b>(H)</b> BACK SUPPORT x 1</p>		
 <p><b>(H1)</b> ALLEN BOLT x 12 (Ø5/16" *45 MM)</p>	 <p><b>(H2)</b> SPRING WASHER x 12 (Ø5/16")</p>	 <p><b>(H3)</b> FLAT WASHER x 12 (Ø5/16"*19*1.5)</p>
 <p><b>(H5)</b> ALLEN KEY x 1 (M4)</p>		

**Customer Service Contact Information:**

Toll Free Phone Number: 1-844-771-2727

Email: [consumercare@lanefurniture.com](mailto:consumercare@lanefurniture.com)

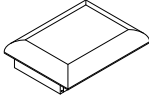
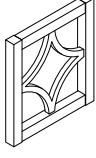
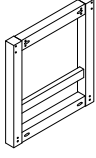
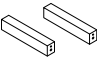



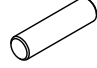

Website: [www.lanefurniture.com](http://www.lanefurniture.com)

**NOTES :**

1. CHECK CAREFULLY FOR SMALL PARTS WHICH MAY COME LOOSE DURING SHIPMENT.
2. REMOVE ALL COMPONENTS FROM THE PACK AND PLACE ON A CLEAN, SOFT SURFACE TO ASSEMBLE.
3. UNITS SHOULD BE ASSEMBLED BY TWO OR MORE PEOPLE.
4. DO NOT OVER - TIGHTEN SCREW/ BOLTS UNTIL ASSEMBLY IS COMPLETED.
5. WITH USE, SCREW/ BOLT MAY BE COME LOOSE & MUST BE TIGHTENED PERIODICALLY.



## STOOL PARTS & HARDWARE LIST

 <p>(I) SEAT BOX x 1</p>	 <p>(K) SIDE FRAME x 1</p>	 <p>(L) SIDE FRAME x 1</p>
 <p>(M) BOTTOM SUPPORT BAR x 1</p>		
 <p>(H1) ALLEN BOLT x 12 (Ø5/16" *45 MM)</p>	 <p>(H2) SPRING WASHER x 12 (Ø5/16")</p>	 <p>(H3) FLAT WASHER x 12 (Ø5/16"*19*1.5)</p>
 <p>(H4) DOWEL x 12 (Ø8*30mm)</p>	 <p>(H5) ALLEN KEY x 1 (M4)</p>	

**Customer Service Contact Information:**

Toll Free Phone Number: 1-844-771-2727

Email: [consumercare@lanefurniture.com](mailto:consumercare@lanefurniture.com)

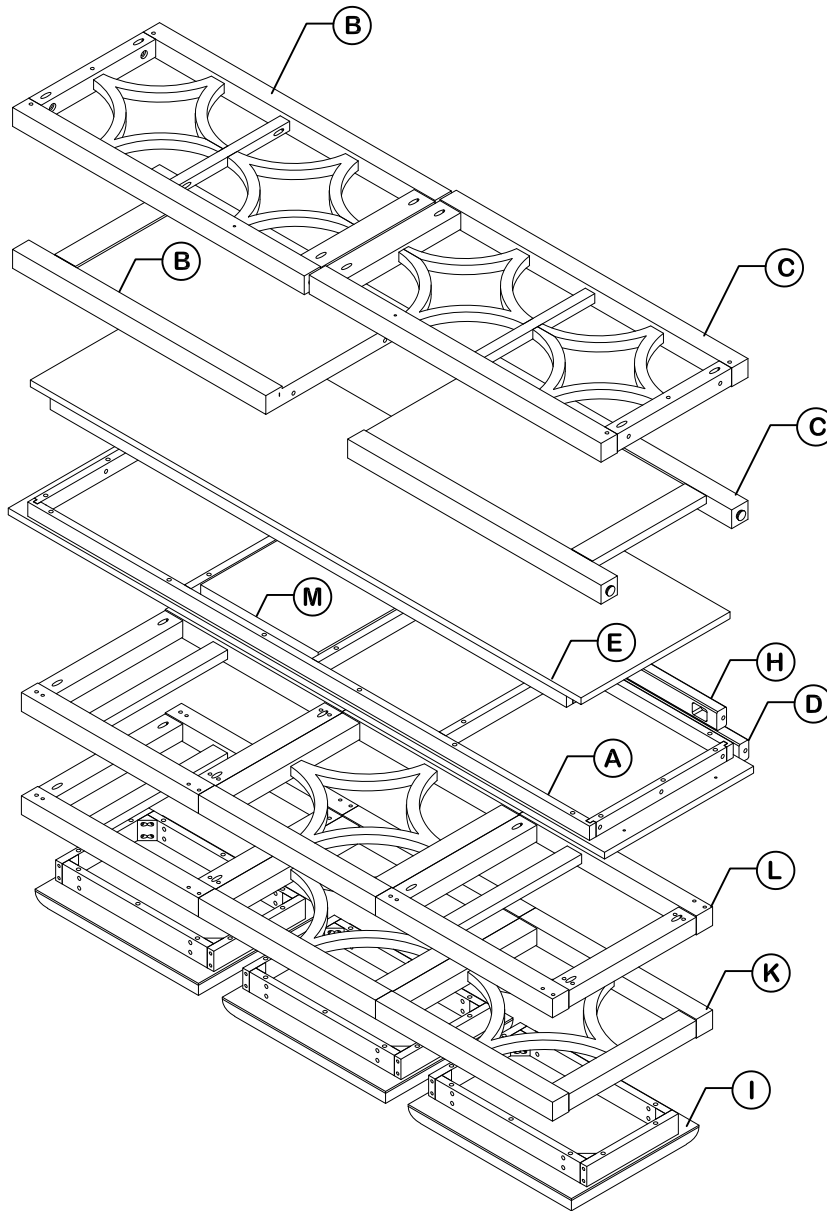
Website: [www.lanefurniture.com](http://www.lanefurniture.com)

**NOTES :**

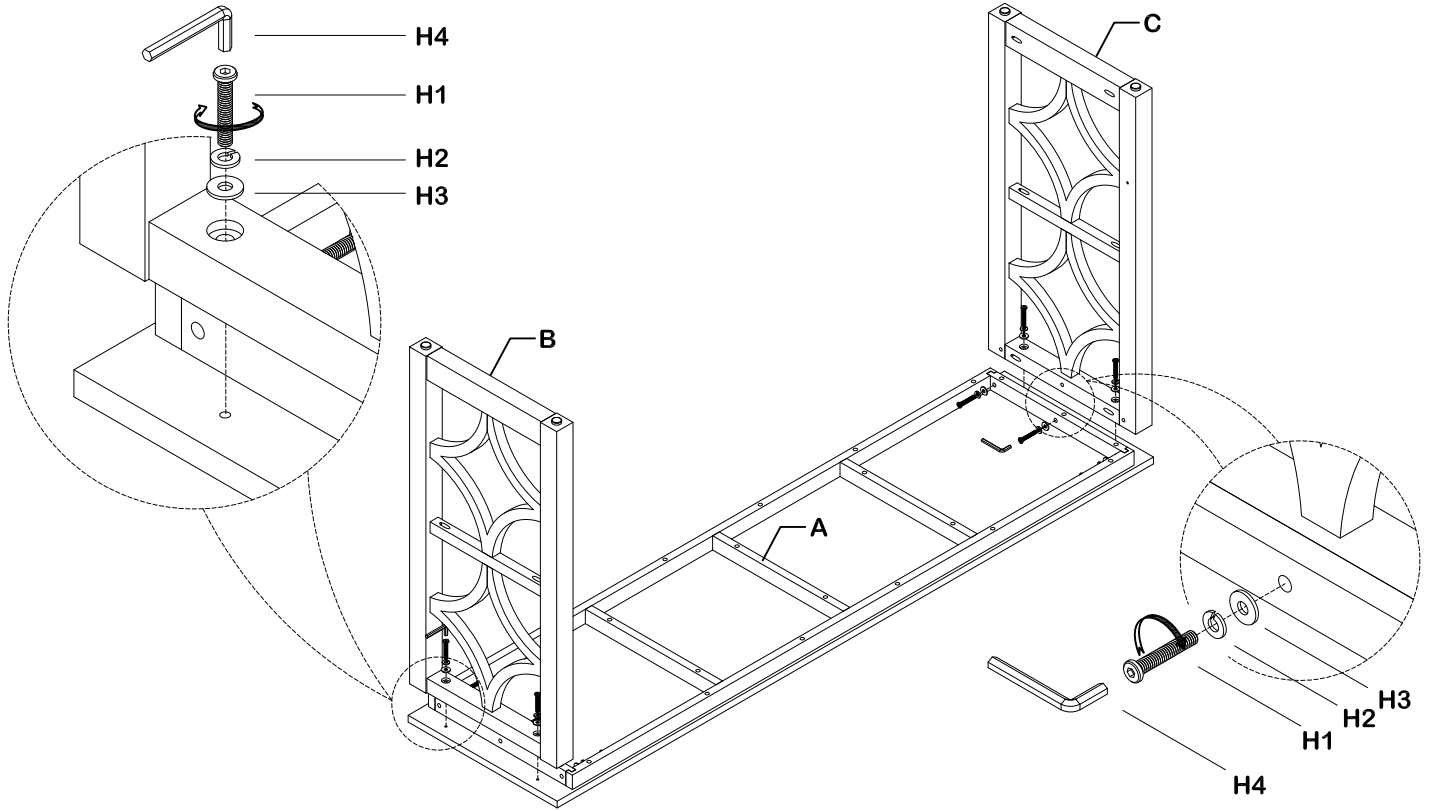
1. CHECK CAREFULLY FOR SMALL PARTS WHICH MAY COME LOOSE DURING SHIPMENT.
2. REMOVE ALL COMPONENTS FROM THE PACK AND PLACE ON A CLEAN, SOFT SURFACE TO ASSEMBLE.
3. UNITS SHOULD BE ASSEMBLED BY TWO OR MORE PEOPLE.
4. DO NOT OVER - TIGHTEN SCREW/ BOLTS UNTIL ASSEMBLY IS COMPLETED.
5. WITH USE, SCREW/ BOLT MAY BE COME LOOSE & MUST BE TIGHTENED PERIODICALLY.



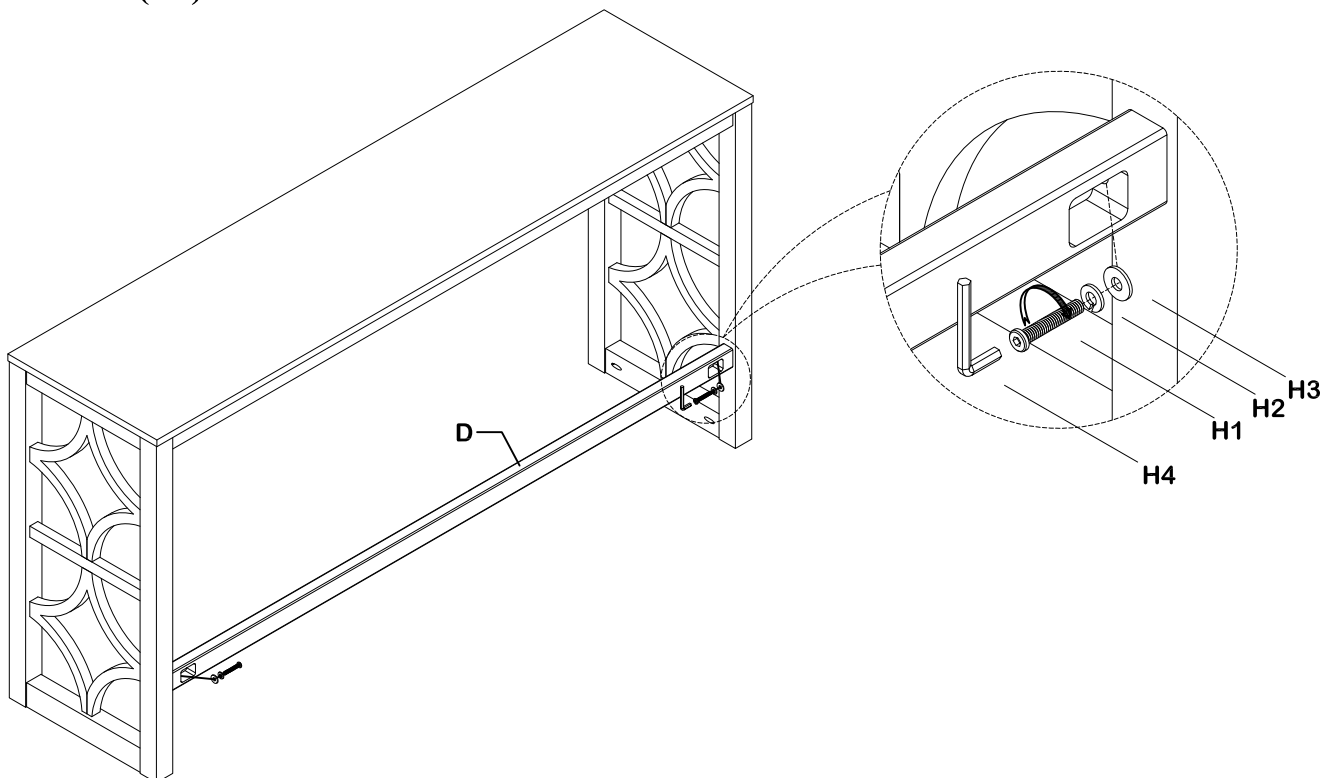
HARDWARE BLISTER PACKS ARE STORED INSIDE THE NESTING CONSOLE

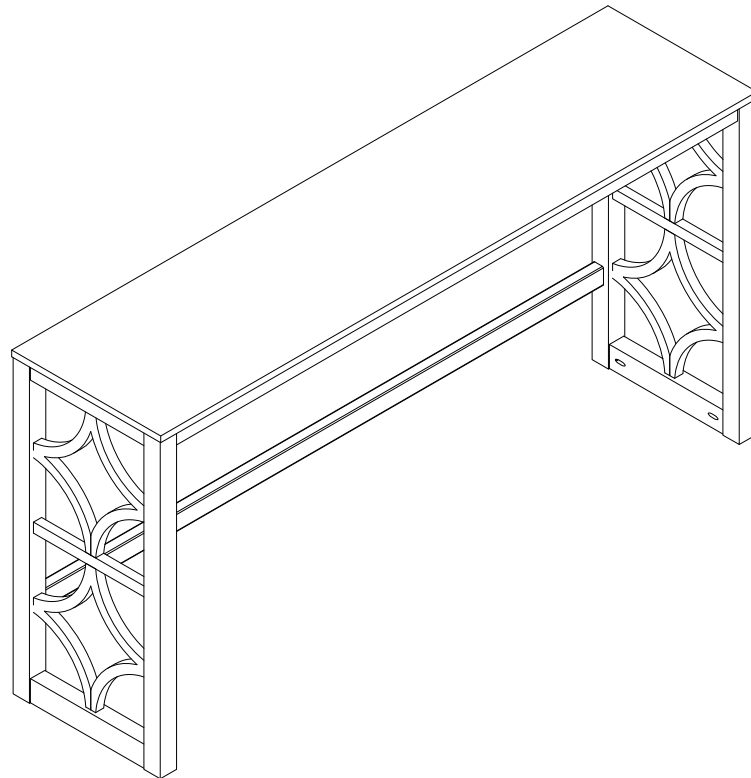


**STEP 1 (x1)**

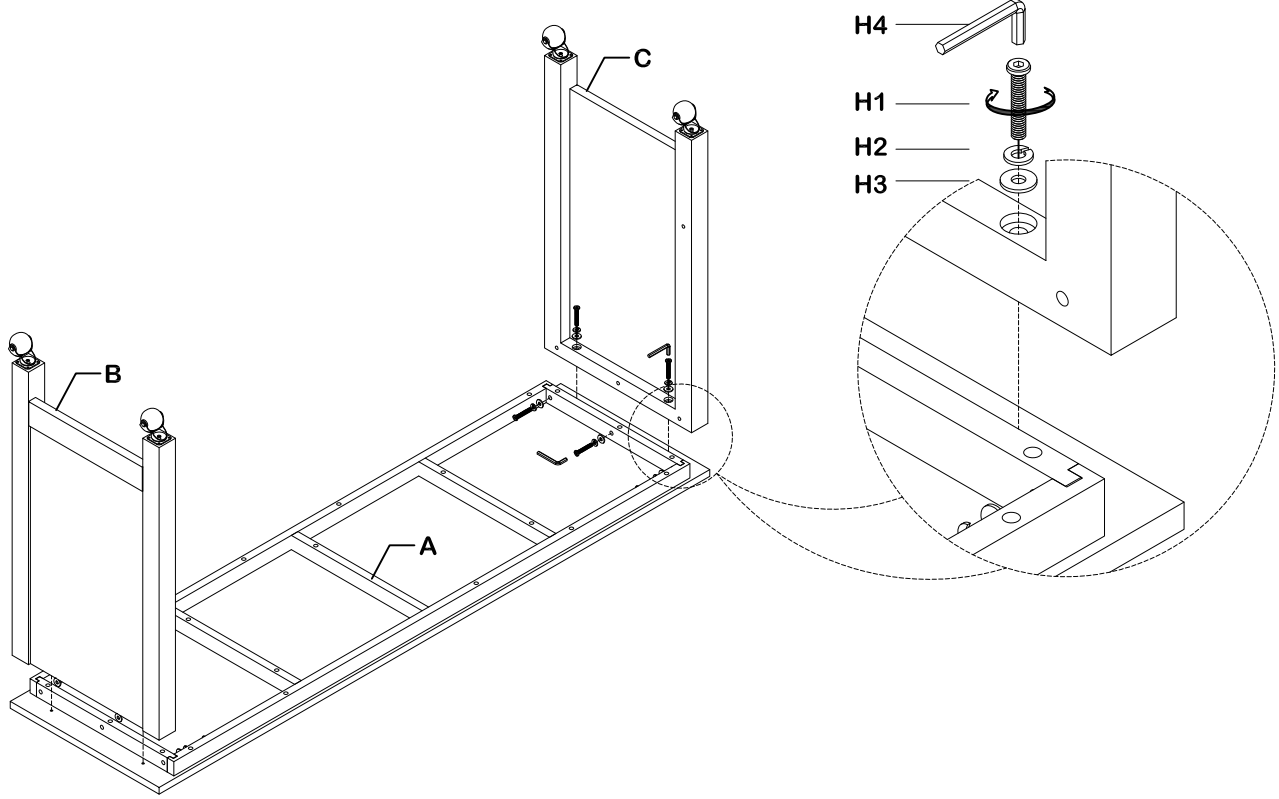


**STEP 2 (x1)**

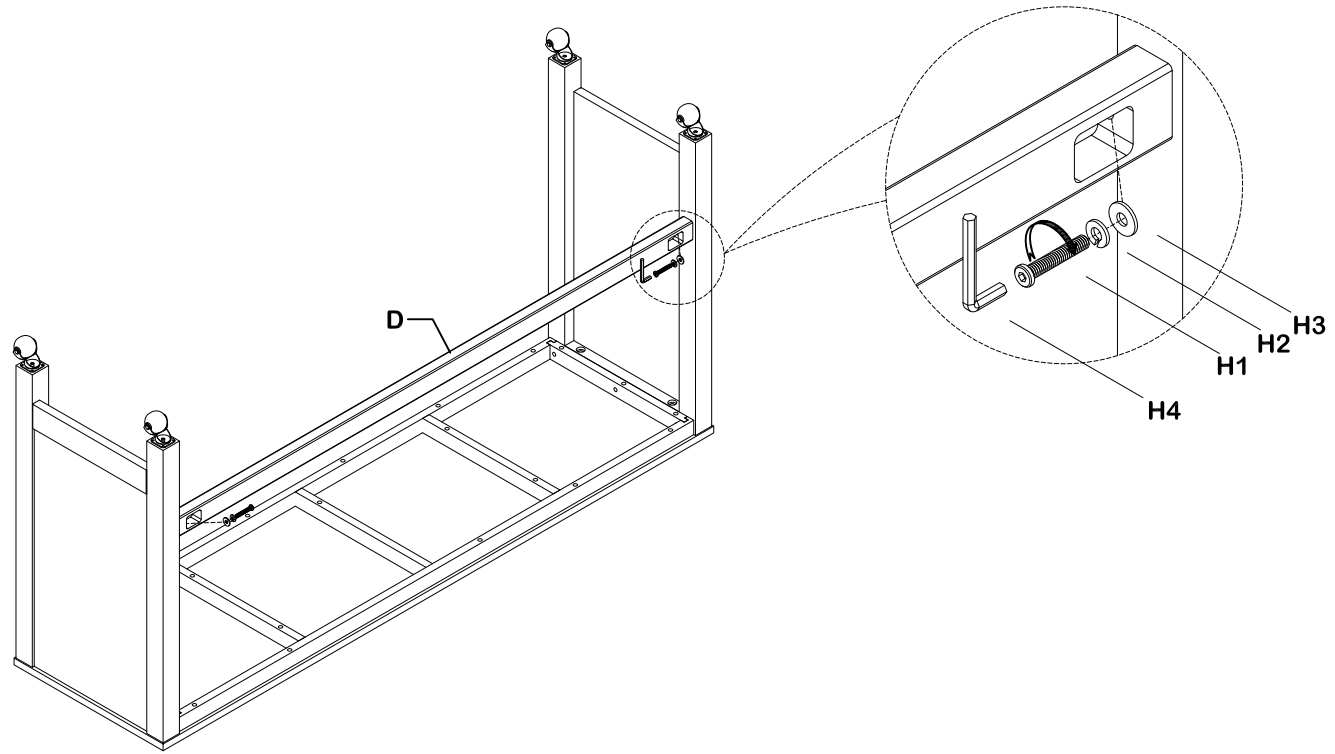


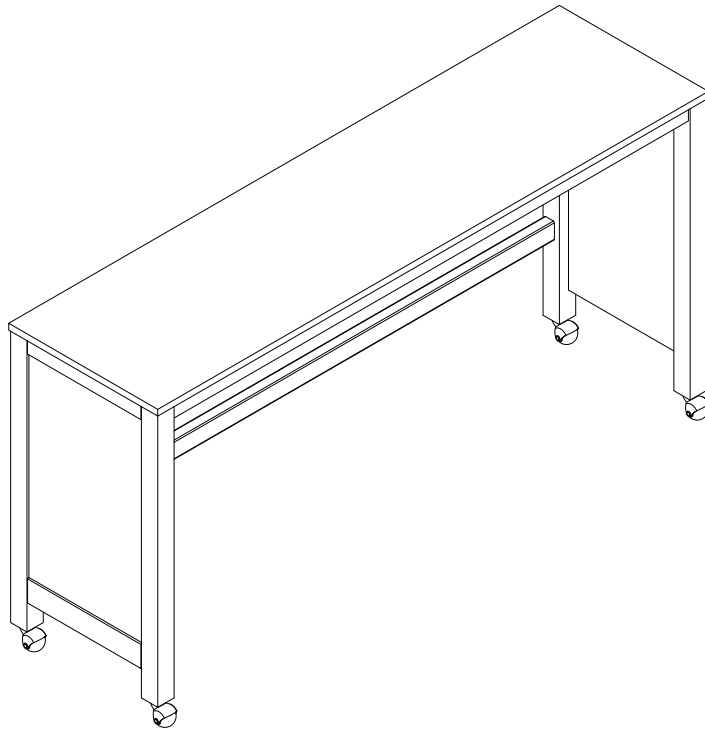


STEP 3 (x1)



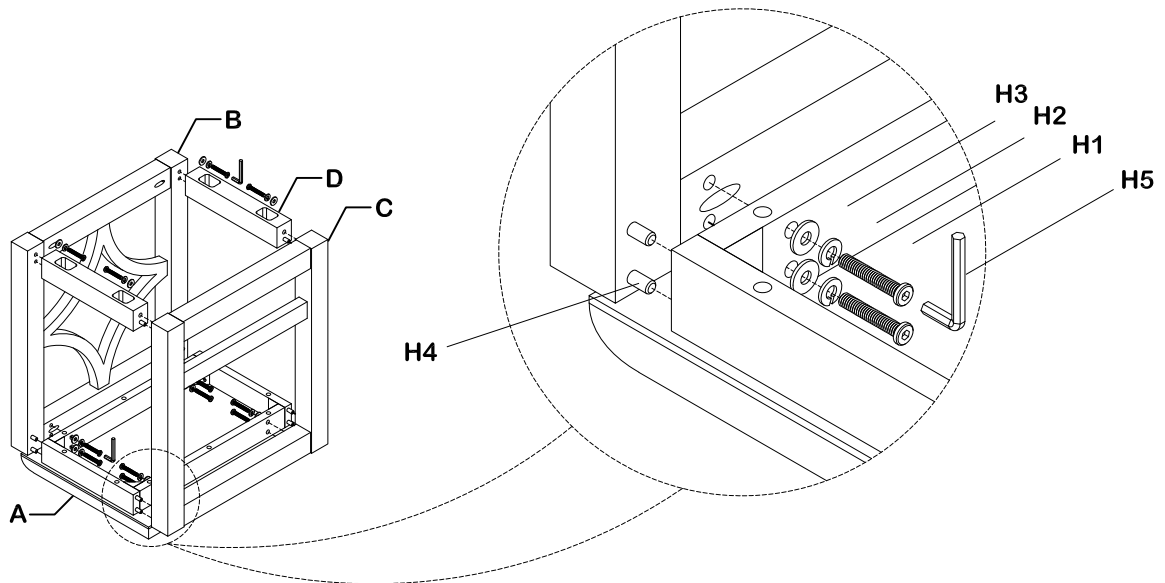
STEP 4 (x1)



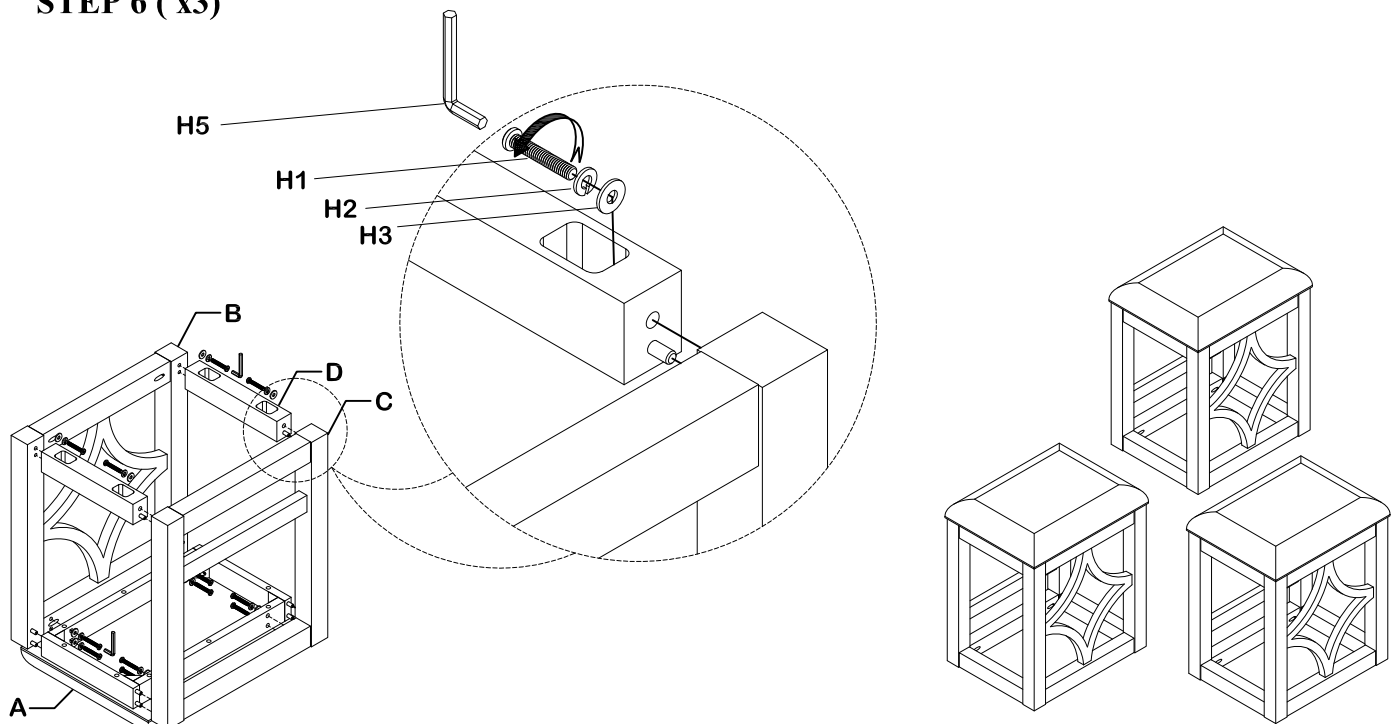


ROLLING CONSOLE ASSEMBLY COMPLETED

**STEP 5 ( x3)**



**STEP 6 ( x3)**



**ROLLING CONSOLE ASSEMBLY COMPLETED**