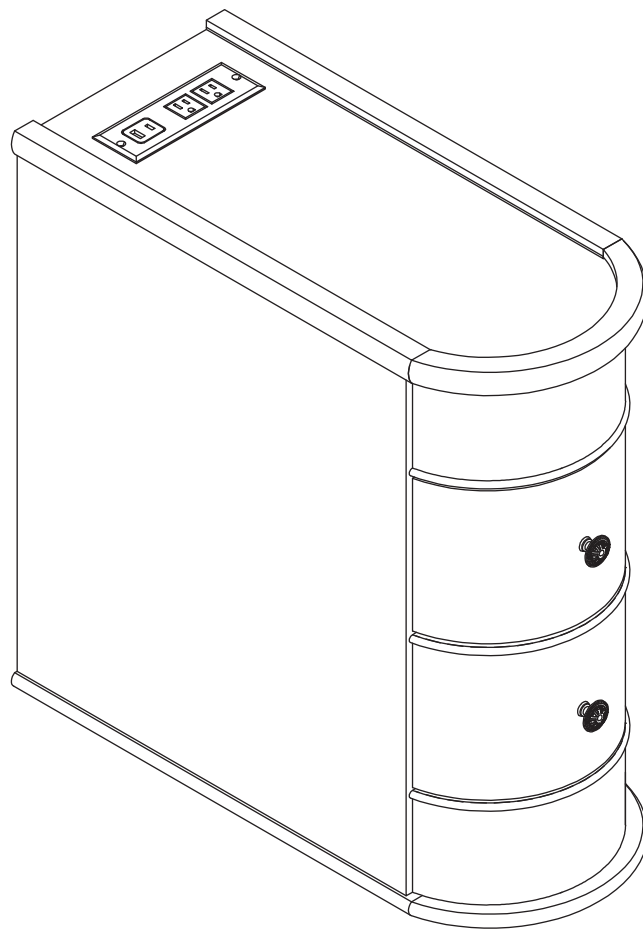


OWNER'S MANUAL

End Table with charging Station

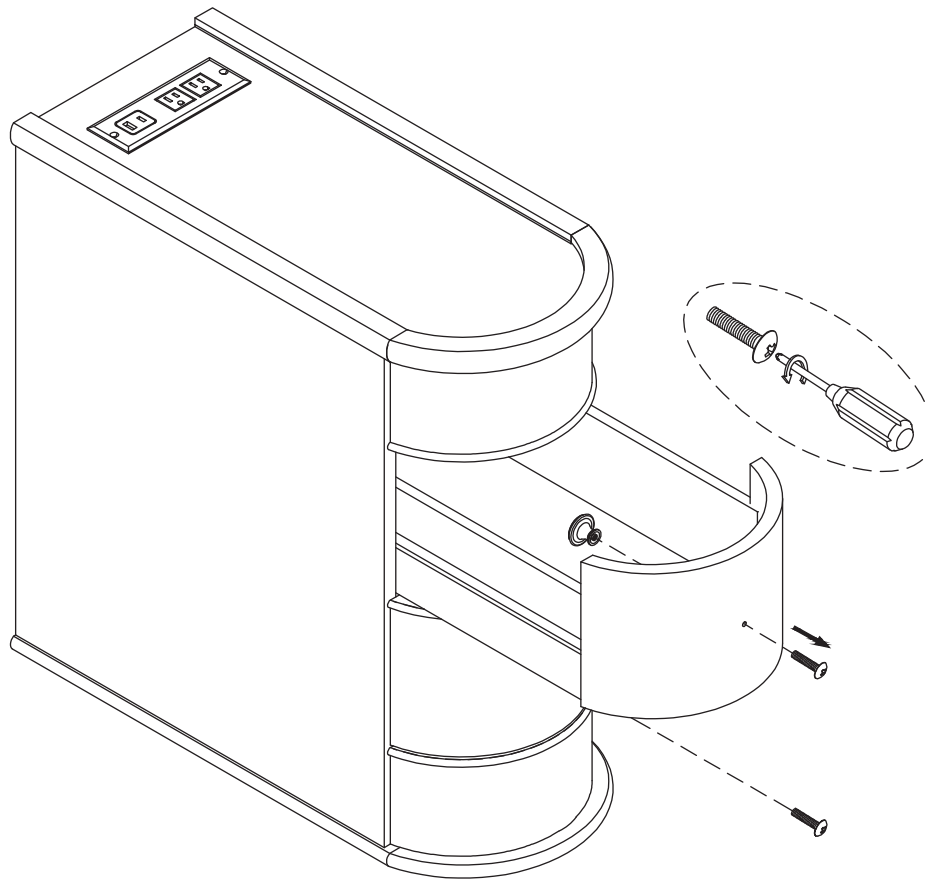
(NV068-DGCH)



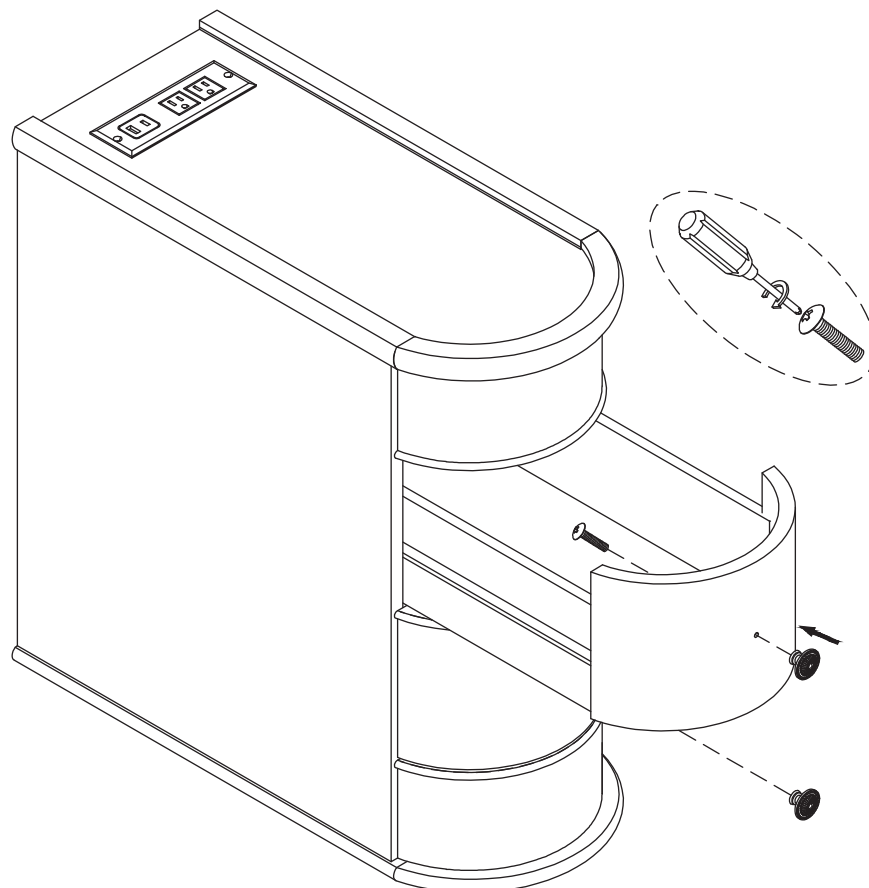
THIS INSTRUCTION BOOKLET CONTAINS IMPORTANT SAFETY INFORMATION.
PLEASE READ AND KEEP FOR FUTURE REFERENCE,

Customer Service (NV068-DGCH): Help@EverythingSupport.com
Address: 100 Pottery Road, Commerce, GA 30529

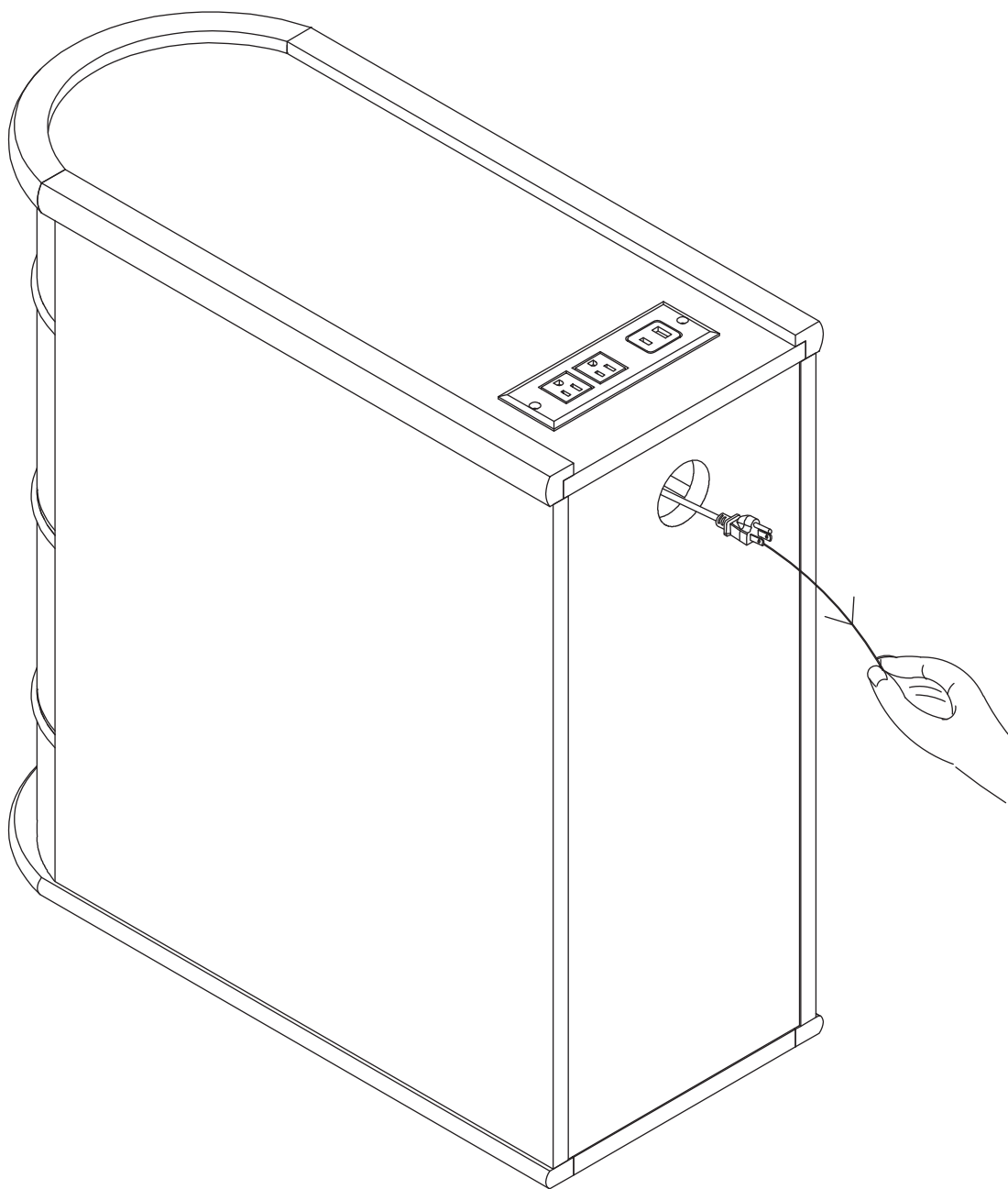
Step 1



Step 2



Step 3



As shown in the picture, carefully remove the power socket from the back panel hole.

Final Assembly

AFTER-SALES SERVICE CARD

We sincerely thank you for trusting our service and our products, and may this product add enrichment to your home. We guarantee that the product has undergone strict quality inspection and meticulous packaging. If you encounter any issue regarding either shipping or the product, please feel free to contact us at any time. We'd be more than happy to serve you wholeheartedly.

Yours Sincerely

- Please clean with a damp cloth and wipe dry.
- Please avoid harsh, corrosive and abrasive cleaners.

Customer Service(NV068-DGCH): Help@EverythingSupport.com
Address: 100 Pottery Road, Commerce, GA 30529

If you have any questions or concerns please feel free to contact us. We're committed to providing our customers with the quality service.