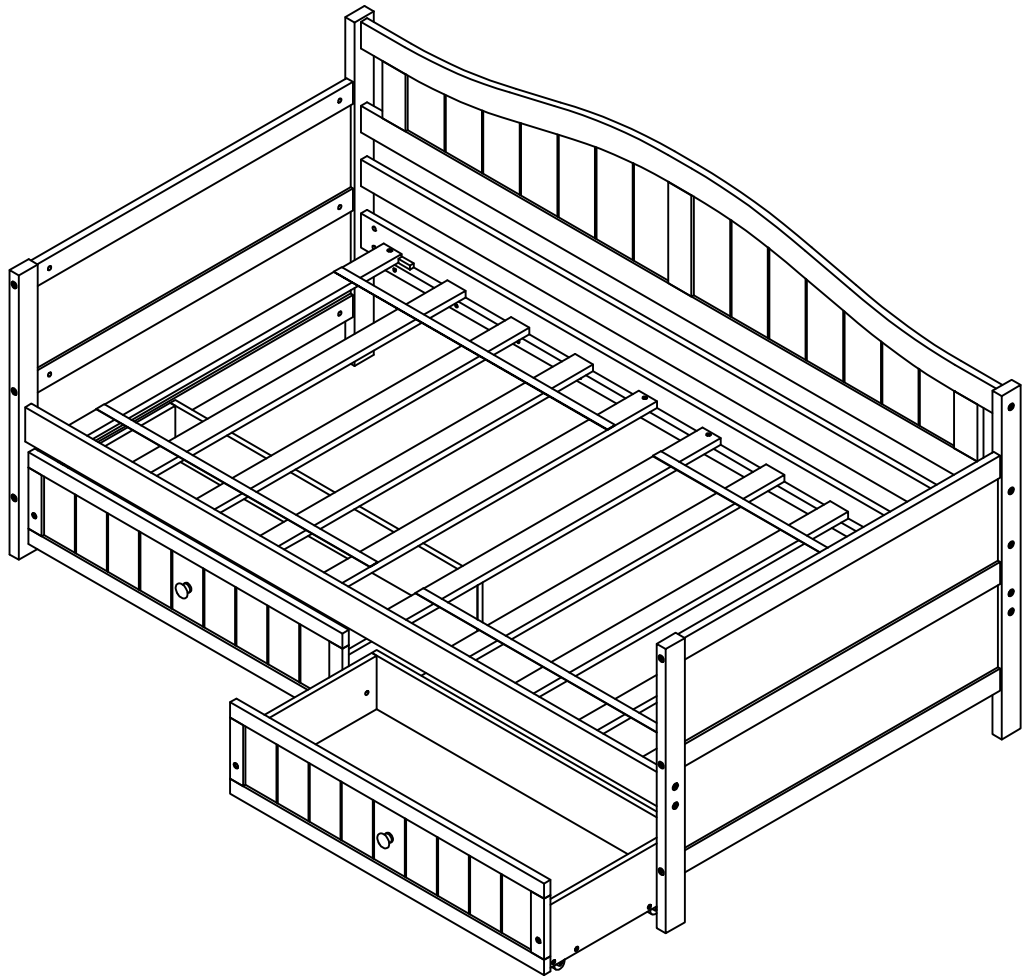


# ASSEMBLY INSTRUCTIONS

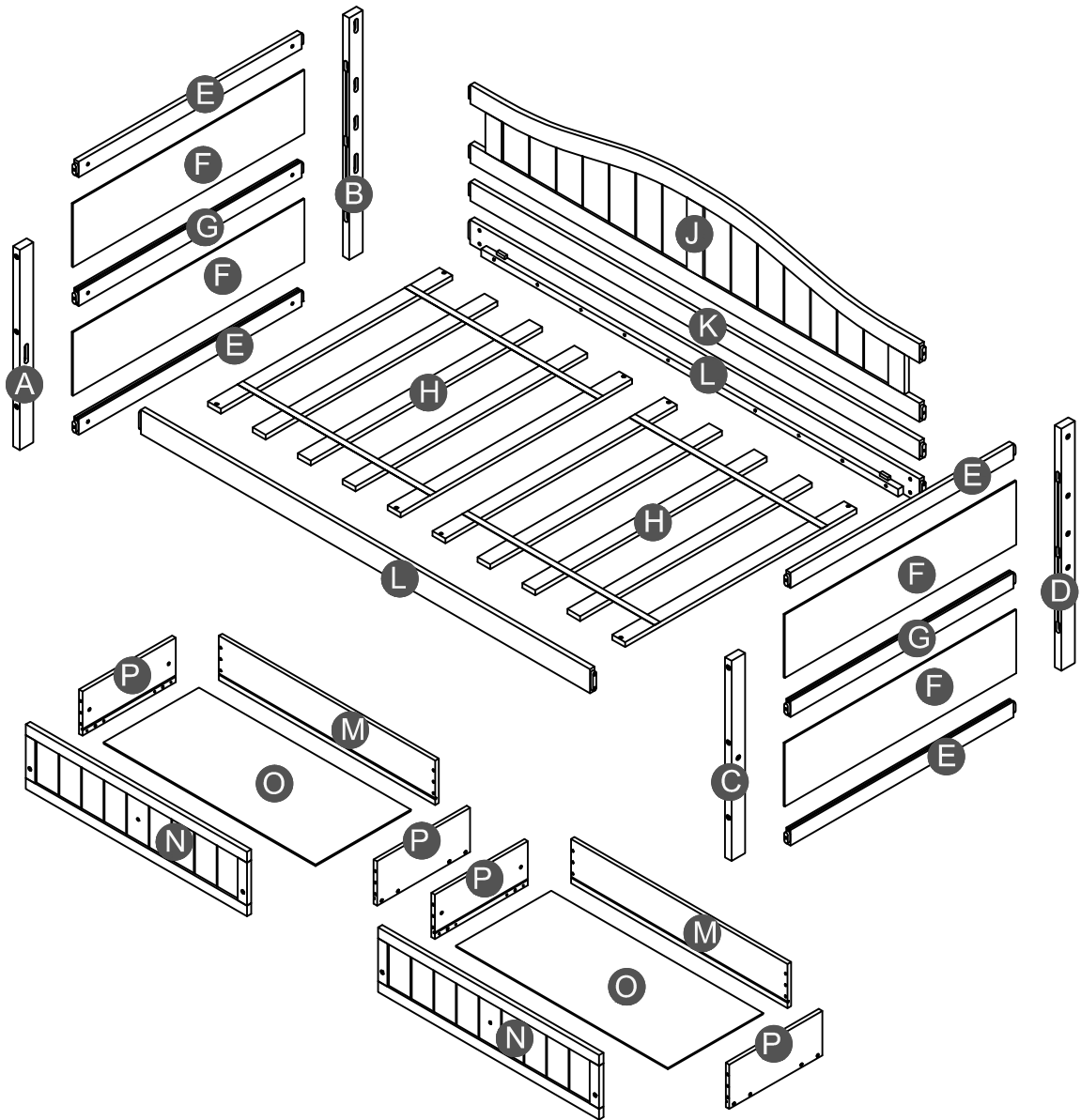
## DAY BED WITH 2 DRAWER

If you have any questions, please feel free to contact us.  
Email: [lowes.team@qualfurn.net](mailto:lowes.team@qualfurn.net)

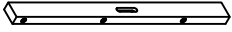

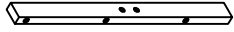

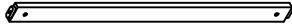
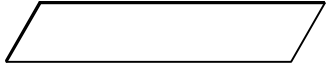

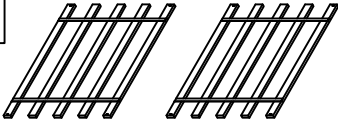
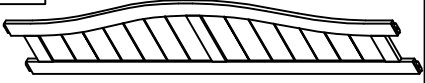
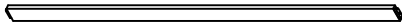

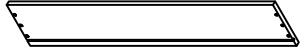





WF192860

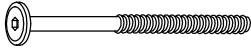
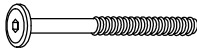

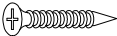
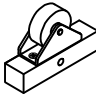

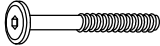
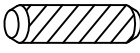
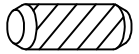
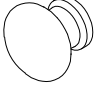

# Detail View



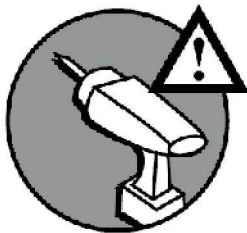
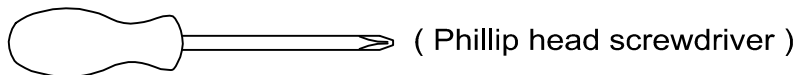
# Part List

<p><b>A</b></p>  <p>Leg HB (Left)- 1pc</p>	<p><b>B</b></p>  <p>Leg HB (Right)- 1pc</p>	<p><b>C</b></p>  <p>Leg FB (Right)- 1pc</p>
<p><b>D</b></p>  <p>Leg FB (left)- 1pc</p>	<p><b>E</b></p>  <p>Horizontal bars HB&amp;FB- 4pcs</p>	<p><b>F</b></p>  <p>Side panel (HB&amp;FB) - 4pcs</p>
<p><b>G</b></p>  <p>Horizontal center HB&amp;FB- 2pcs</p>	<p><b>H</b></p>  <p>Slat - 2set - (5pcs/set)</p>	<p><b>J</b></p>  <p>Guard rail (back)- 1pc</p>
<p><b>K</b></p>  <p>Horizontal(back)- 1pc</p>	<p><b>L</b></p>  <p>Side rail (Front &amp; Back)- 2pcs</p>	<p><b>M</b></p>  <p>Drawer back panel - 2pcs</p>
<p><b>N</b></p>  <p>Drawer front - 2pcs</p>	<p><b>O</b></p>  <p>Drawer bottom - 2pcs</p>	<p><b>P</b></p>  <p>Drawer (Left/Right)- 4pcs</p>

# Hardware List

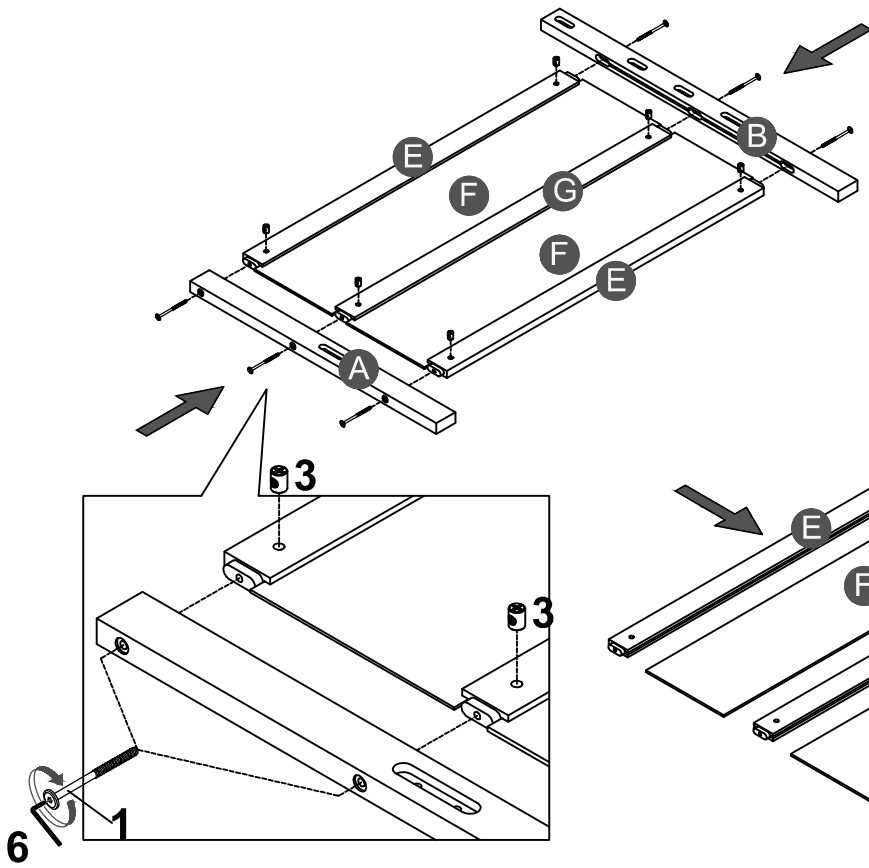
<b>1</b>  (Ø15)1/4"*100mm Hex-Head bolts (12pcs)	<b>2</b>  (Ø15)1/4"*80mm Hex-Head bolts (14pcs)	<b>3</b>  1/4"*15 (9.5mm) Horizontal-Hole bolts(34pcs)
<b>4</b>  Ø4*30mm Wood screws (24pcs)	<b>5</b>  100*54*20 mm Wheels (8pcs)	<b>6</b>  (1/4")4.5*58mm Allen key (1pc)
<b>7</b>  (Ø12)1/4"*60mm Hex-Head bolts (8pcs)	<b>8</b>  Ø8*30mm Wood dowel (16pcs)	<b>9</b>  Ø10*20mm Wood dowel (8pcs)
<b>10</b>  Ø38*31mm Pine Knob (2pcs)	<b>11</b>  3/16"*15mm Ph zinc(Knob) (2pcs)	

## ASSEMBLY TOOLS REQUIRED ( NOT INCLUDED )



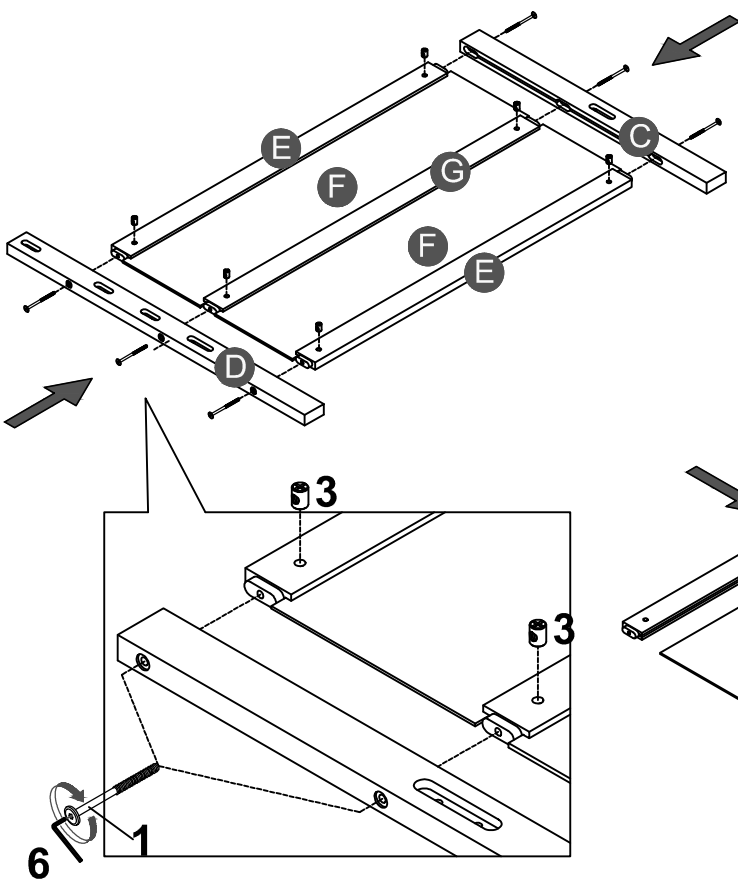
DO NOT USE POWER TOOLS TO ASSEMBLE THIS PRODUCT !

**STEP 1:**





1		3	
6PCS		6PCS	

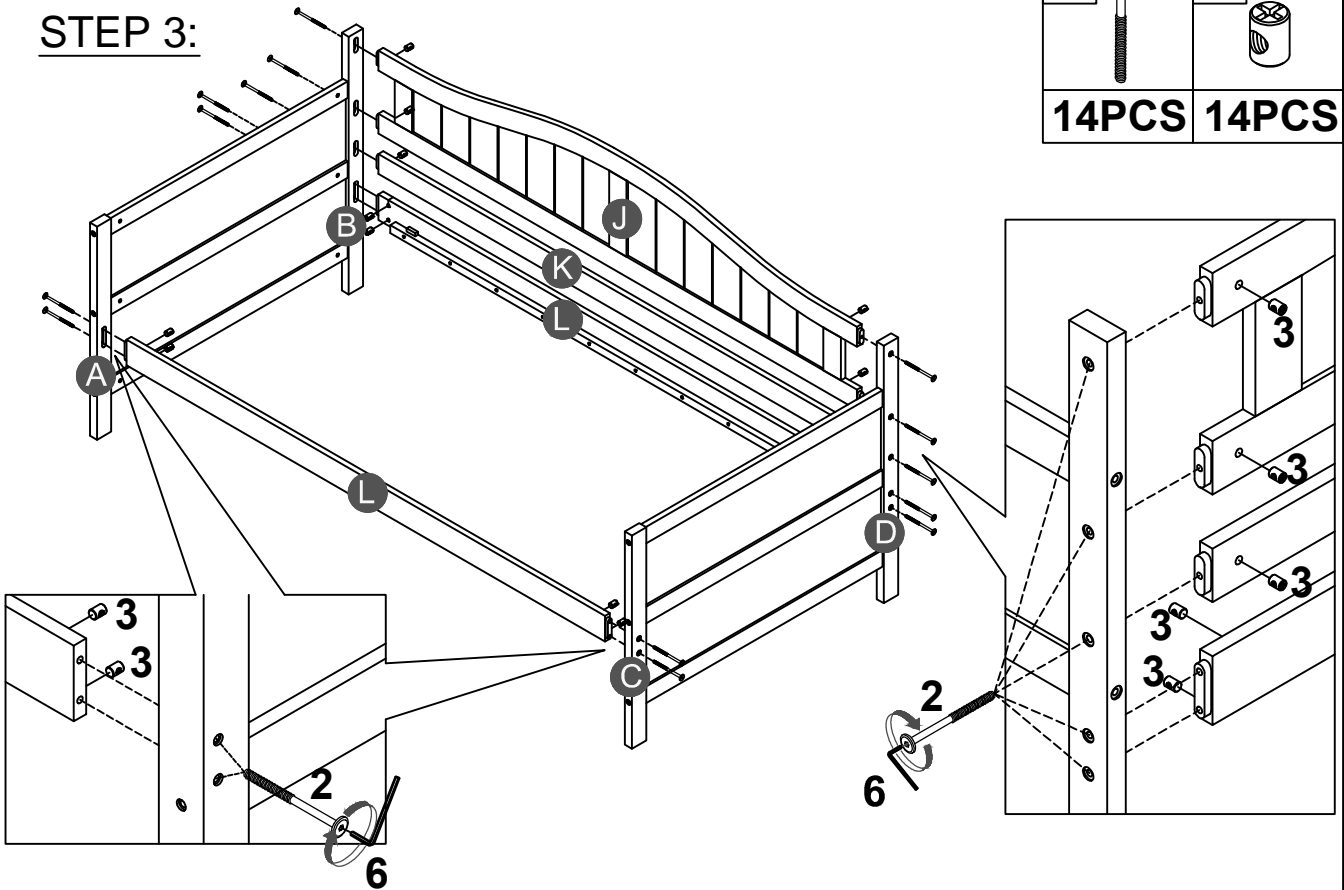
**STEP 2:**




1		3	
6PCS		6PCS	

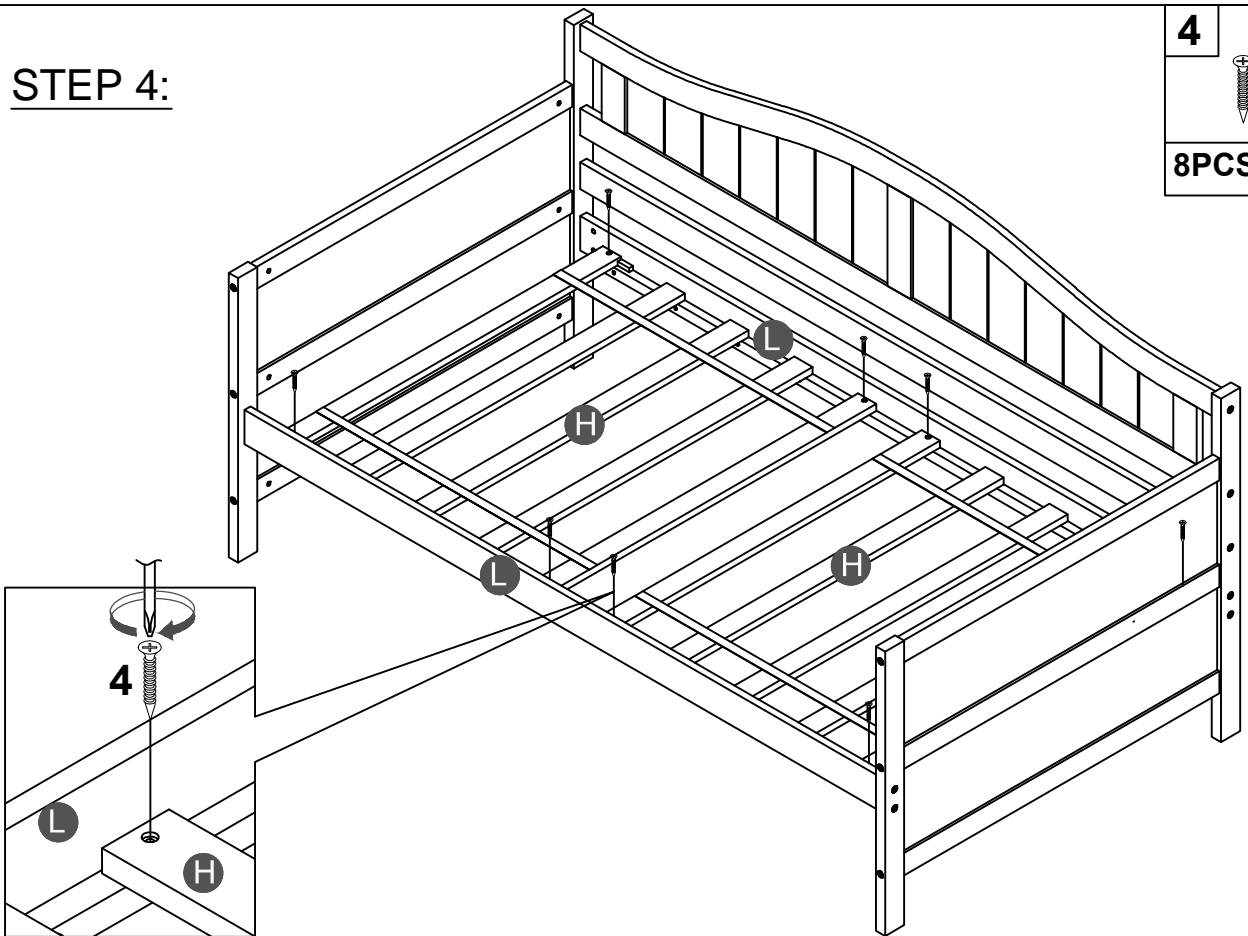
**STEP 3:**

<b>2</b>		<b>3</b>	
<b>14PCS</b>		<b>14PCS</b>	

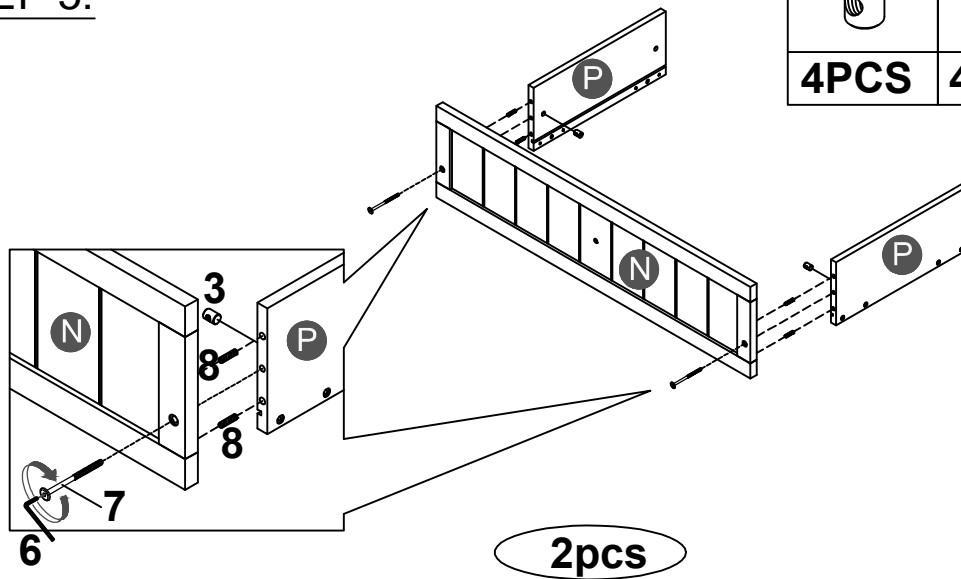


**STEP 4:**

<b>4</b>	
<b>8PCS</b>	



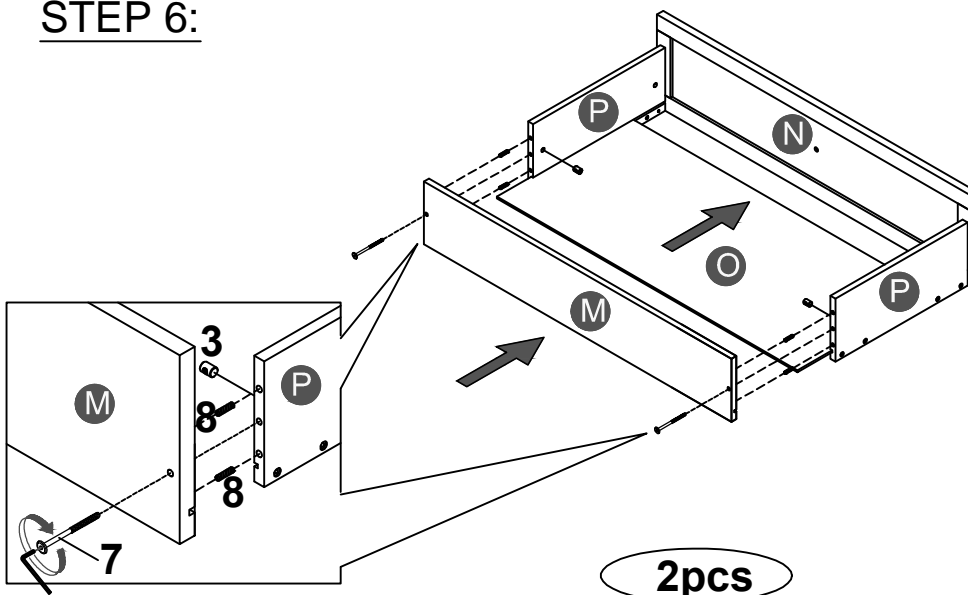
**STEP 5:**



2pcs

3	7	8
4PCS	4PCS	8PCS

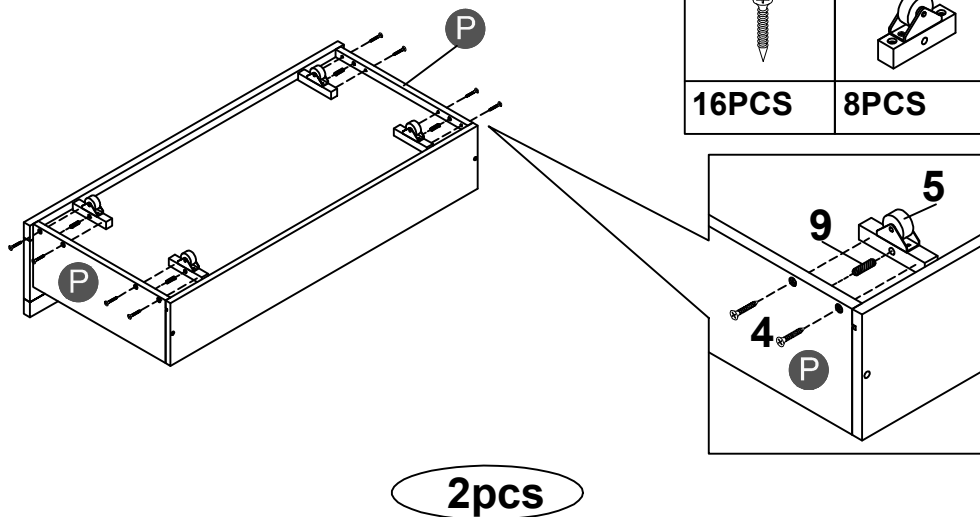
**STEP 6:**



2pcs

3	7
4PCS	4PCS
	8
	8PCS

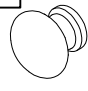

**STEP 7:**

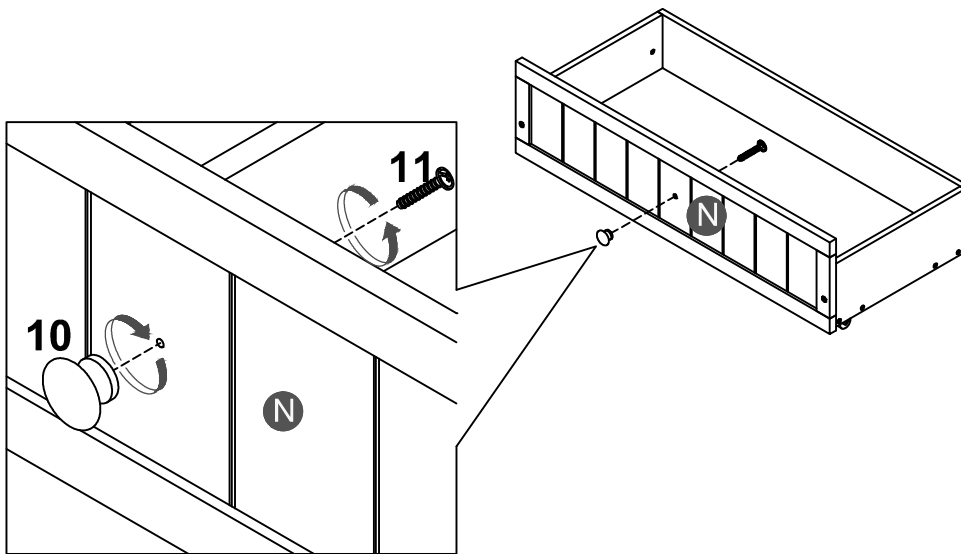


2pcs

4	5	9
16PCS	8PCS	8PCS

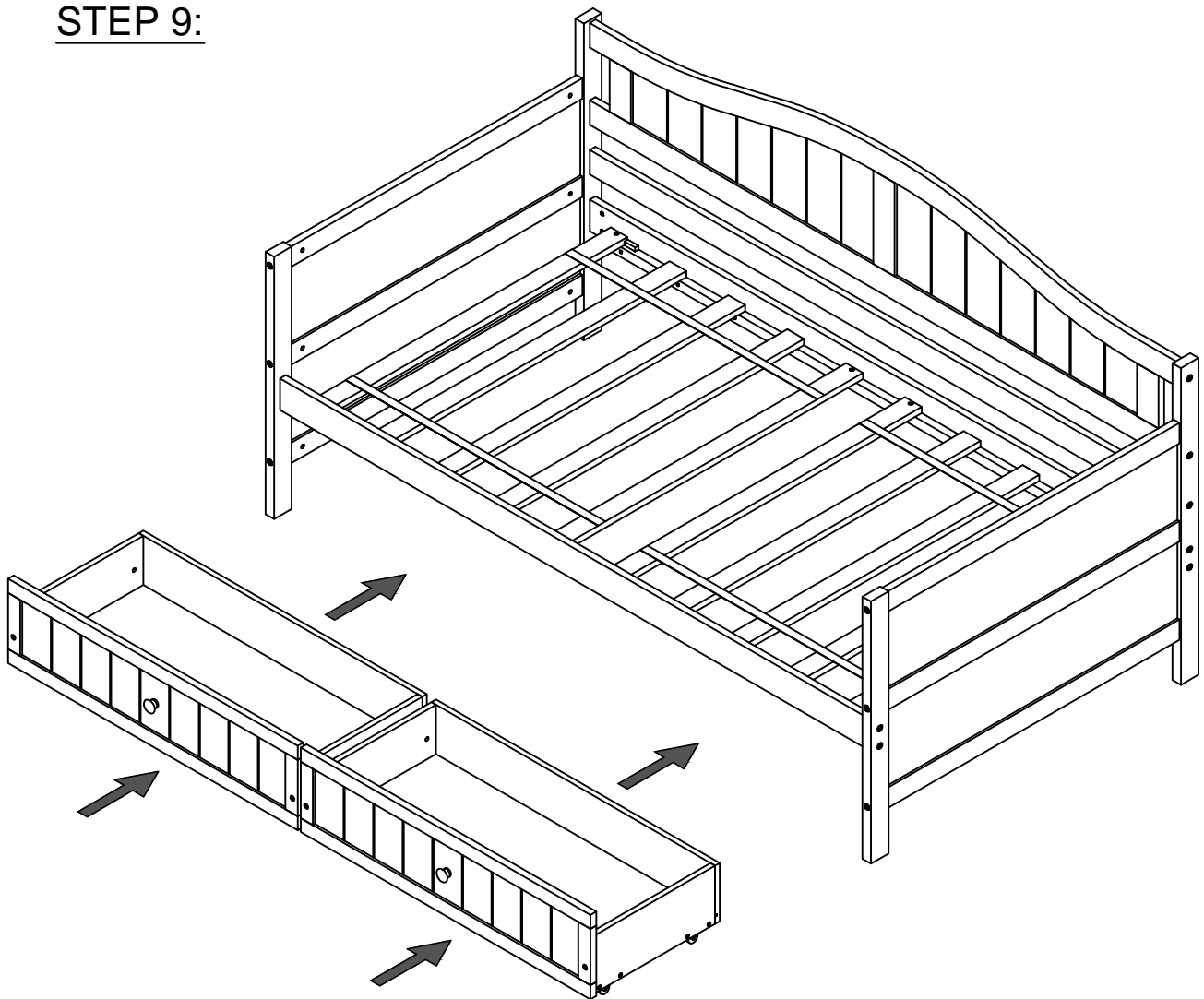
**STEP 8:**

<b>10</b>		<b>11</b>	
<b>2PCS</b>		<b>2PCS</b>	



**2pcs**

**STEP 9:**



Push Drawer under the bottom of Day Bed.