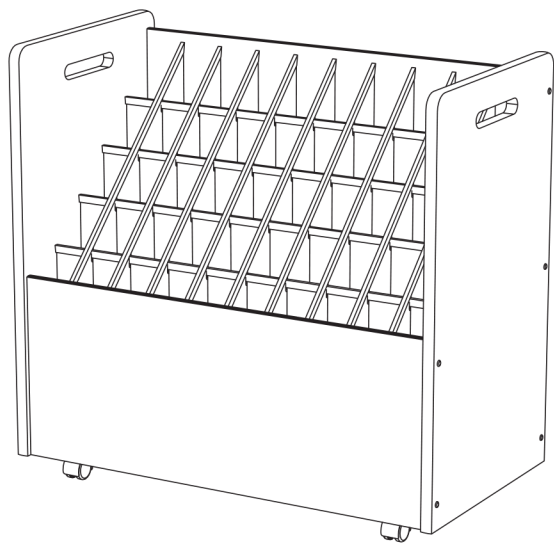
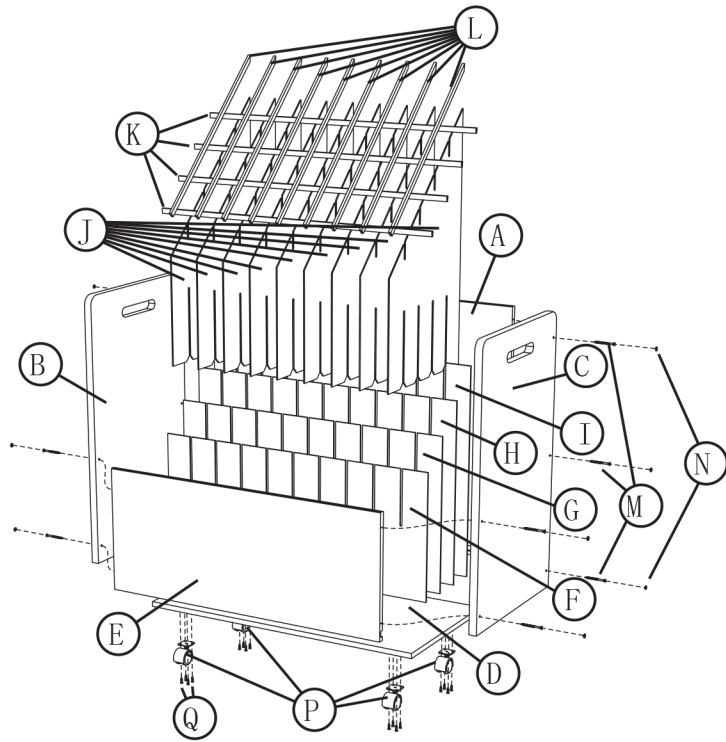
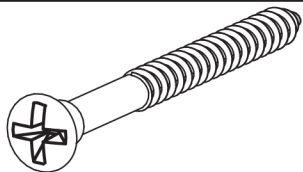

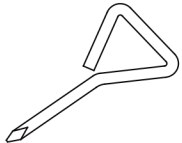
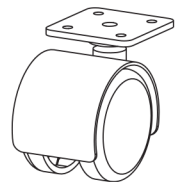



Assembly Instructions

for MODEL 626

PARTS LIST



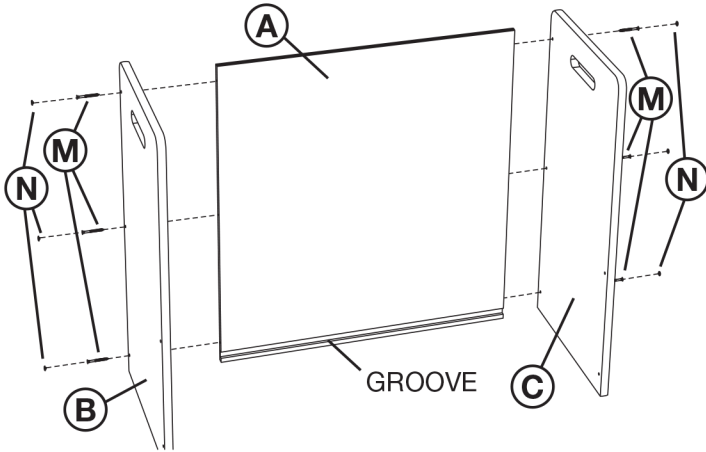
Item	Description	QTY.
A	Back Panel	1
B	Left Side Panel	1
C	Right Side Panel	1
D	Bottom Panel	1
E	Front Panel	1
F	Rectangular Partition Small	1
G	Rectangular Partition Medium	1
H	Rectangular Partition Large	1
I	Rectangular Partition Extra Large	1
J	Triangular Partition	9
K	Open Channel	4
L	Closed Channel	4
M	 Long Screw	10
N	 Screw Cover	10
O	 Allen Wrench	1
P	 Caster	4
Q	 Short Screw	16

Tools required for assembly: Hammer Allen Wrench (included) Phillips screwdriver

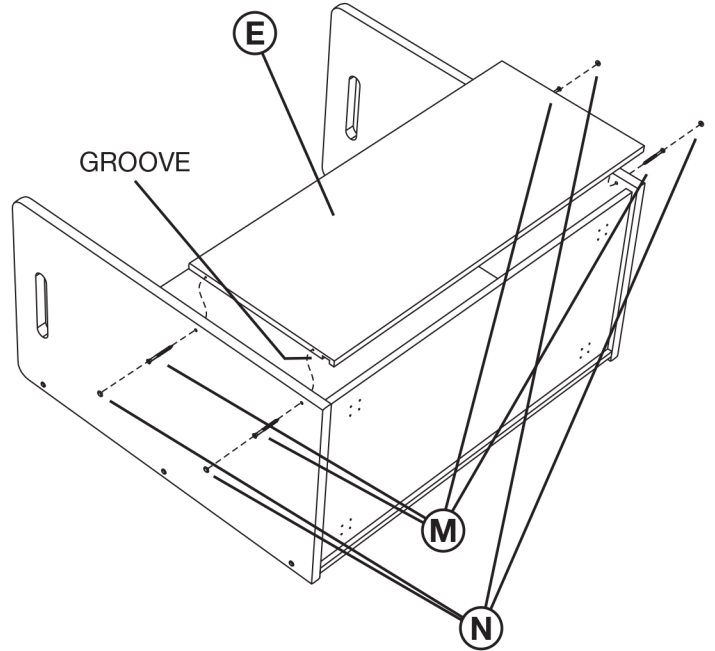
Assembly Instructions

for MODEL 626

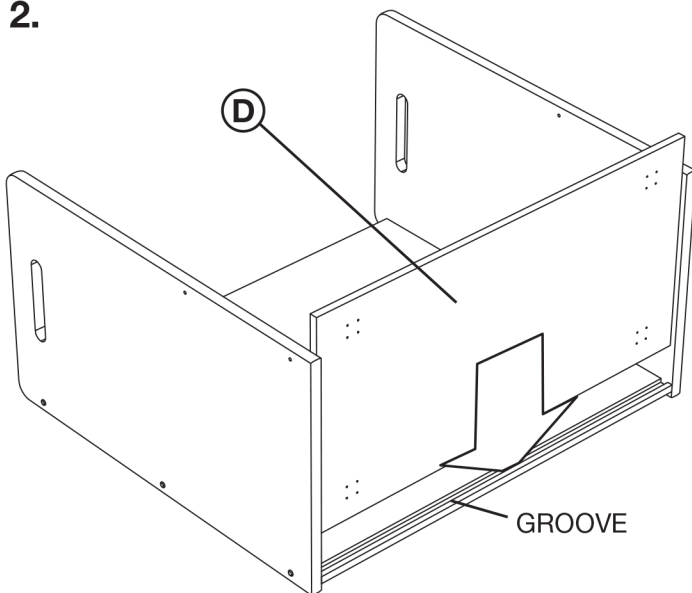
1. Handle flange outside



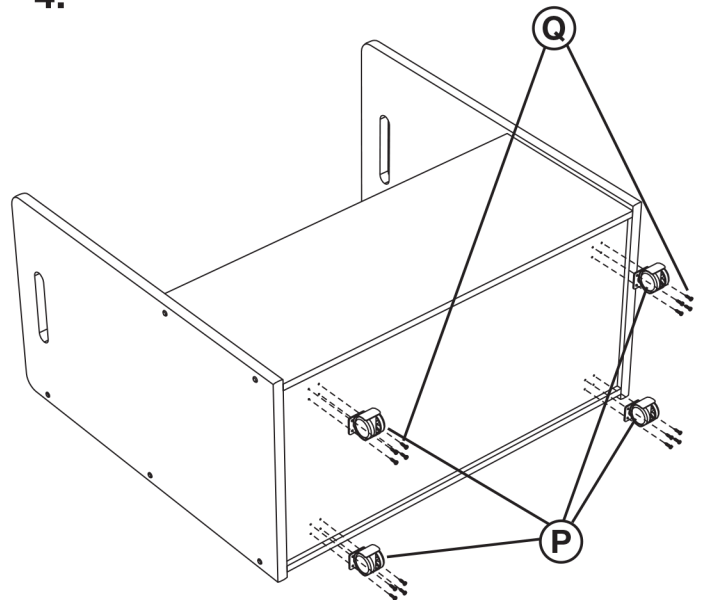
3.



2.



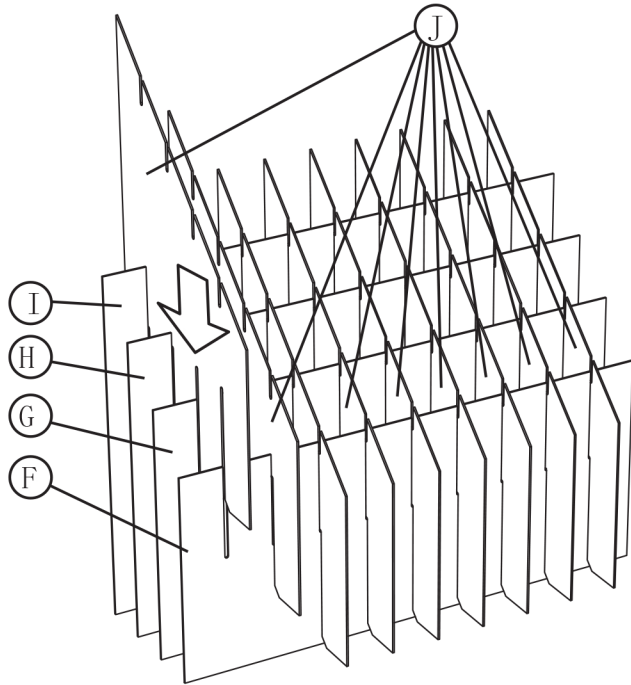
4.



Assembly Instructions

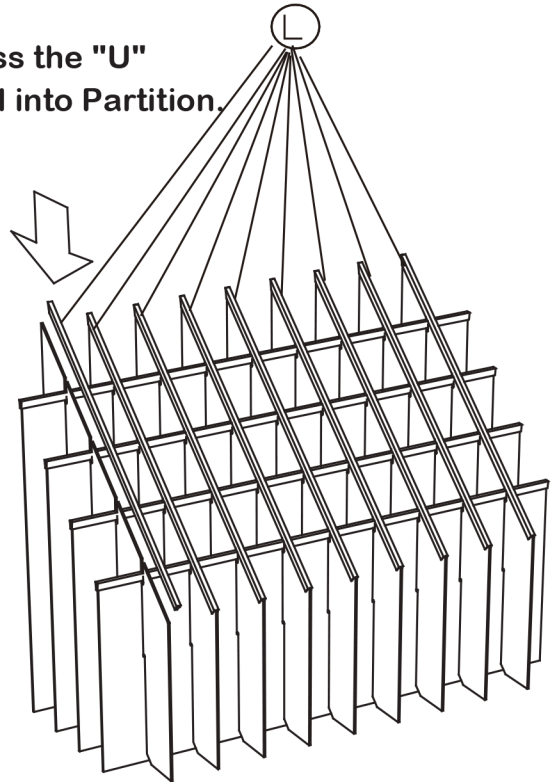
for MODEL 626

5.

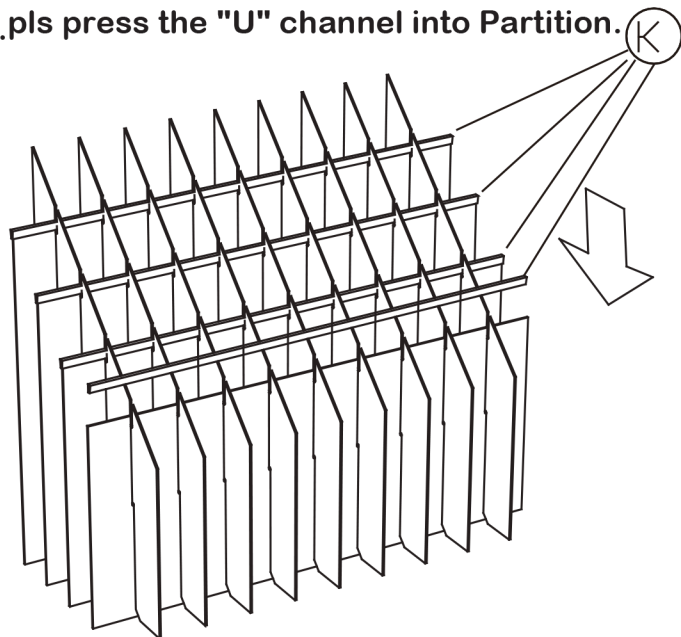


7.

pls press the "U" channel into Partition.



6. pls press the "U" channel into Partition.



8.

