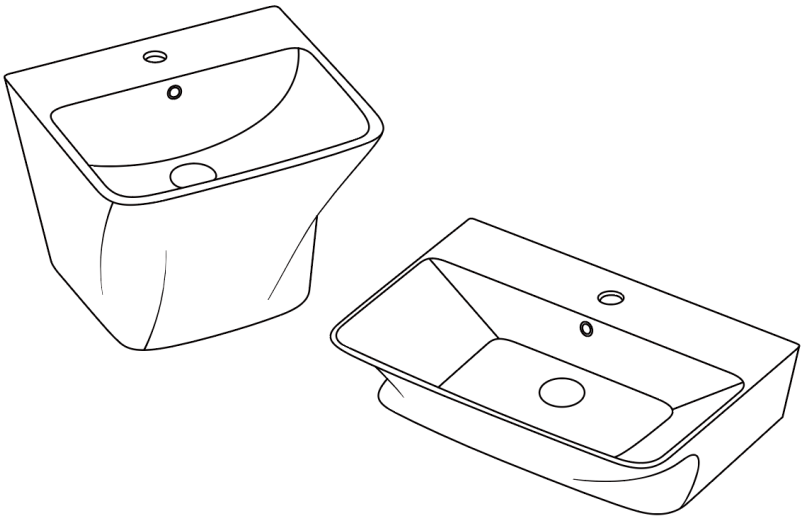




LOS FLEXI  
CRAFTING YOUR HOME STORY



## Wall-Mount Sink

# INSTALLATION & CARE GUIDE

[cs@losflexi.com](mailto:cs@losflexi.com)

[www.losflexi.com](http://www.losflexi.com)

(+1) 626-866-3163

**TABLE OF CONTENTS:**

PRIOR TO INSTALLATION \_\_\_\_\_ 3  
TOOLS AND MATERIALS REQUIRED \_\_\_\_\_ 4  
PART LIST \_\_\_\_\_ 4  
INSTALLATION STEPS \_\_\_\_\_ 5  
PRODUCT CLEANING & CARE \_\_\_\_\_ 13  
TROUBLESHOOTING GUIDE \_\_\_\_\_ 13  
IMPORTANT CONSUMER INFORMATION \_\_\_\_\_ 15  
LIMITED WARRANTY COVERAGE \_\_\_\_\_ 16

# PRIOR TO INSTALLATION

## Hey there, Sink Superstar!

### MAKE YOUR BATHROOM SHINE! INSTALLING YOUR STYLISH WALL-MOUNT SINK

So, you've got your hands on one of our fabulous wall-mount sinks! We're thrilled for you because it's about to take your bathroom from plain to polished. But before you jump into installation mode, let's go over some essentials to make your setup as smooth as can be!

#### Before You Dive In:

- First things first—inspect your sink. Unbox it carefully and give it a good look. Any scuffs or bumps from its journey? No worries, just rewrap it safely until installation day.
- As much as we love creativity, plumbing is best done by the book! Be sure you're sticking to local plumbing and building codes to keep everything safe and up to par.

#### Preparation and Safety Measures:

- Quick tip: shut off the water supply before you start. No one needs a surprise shower mid-install!
- Check the pipes for wear and tear. If they're a bit worn out, now's the perfect time to replace them.
- Remember, while your sink is sturdy, handle it with care! Place a soft cover underneath for extra protection.
- Safety first! Grab your safety glasses and get ready for a fun DIY adventure.

#### Space and Seal Requirements:

- Make sure you've got enough wall support for this sink to stay firmly in place. It's a showstopper, so give it plenty of room to shine.

#### Additional Recommendations:

- For cleaning, skip harsh chemicals and go gentle. This sink's durable, but a little tender loving care keeps it looking fresh!
- If you're unsure about any part of the installation, don't hesitate to call the pros for backup.
- Questions? Just reach out! Whether it's shipping or sink support, we're here to help: [cs@losflexi.com](mailto:cs@losflexi.com).

And there you have it, Sink Star! You're all set to install that beauty like a pro. Now go on, make that bathroom vision a reality!

Wall-Mount Sink Regards,  
The Los Flexi Team

# TOOLS AND MATERIALS REQUIRED (not supplied)



Pencil



Adjustable Wrench



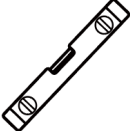
Tape Measure



Drill



Safety Glasses



Level

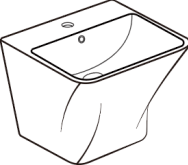


Silicone Sealant

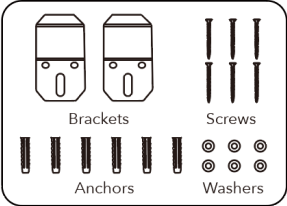


Faucet

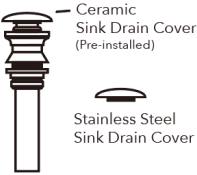
## PART LIST



Wall-Mount Sink

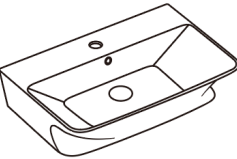


Wall Mounting Kit

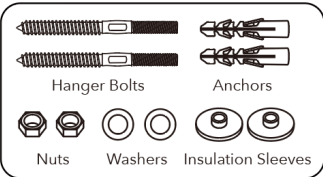


Sink Drain Kit

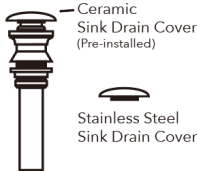
OR



Wall-Mount Sink



Wall Mounting Kit



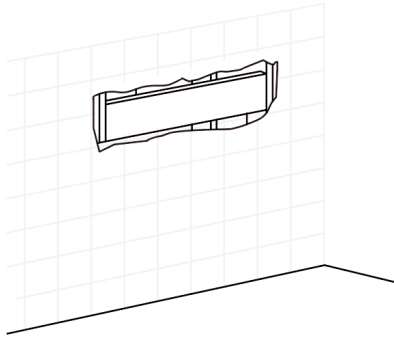
Sink Drain Kit

*The illustrations are for display purposes only.  
For detailed specifications, please check our website: [losflexi.com](http://losflexi.com).*

# INSTALLATION STEPS

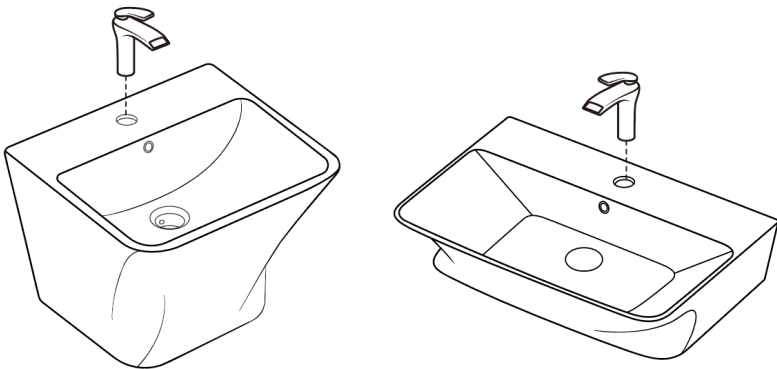
## Step 1: Wall Preparation

- For bathrooms with stud walls, it's essential to provide adequate wall support for the mounting screws.
- We recommend using 2 x 6 inch plywood to ensure stability and strength for the installation.



## Step 2: Install The Faucet

- Install the faucet (not included) to the sink before mounting it.



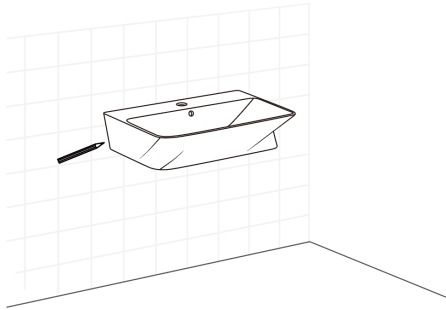
### Step 3: Mount The Sink

- Please check if the sink has two mounting holes on the back and choose the mounting method accordingly.

#### With Two Mounting Holes

1. Set the sink in its intended installation spot, check its level, and then outline where the mounting holes will be.

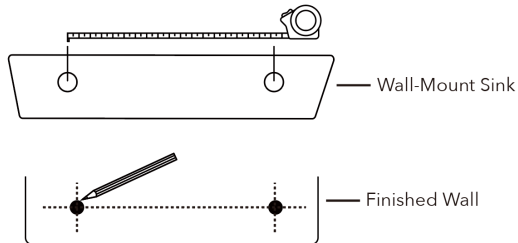
**NOTE:** The ceramic sink is heavy. Ask someone to help you hold the sink if needed.



#### Alternative Solution:

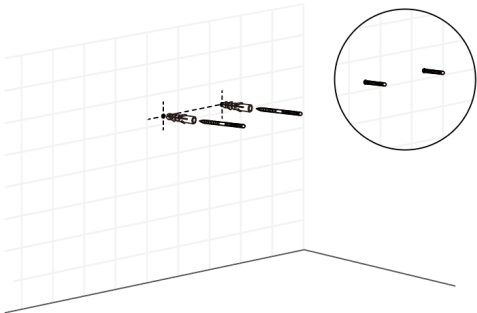
If the sink is too heavy for you, this solution may help:

- Measure the distance between the center of each mounting hole on the back of the sink.
- Draw 2 marks on the wall in the desired mounting location. Ensure that the two marks are level with the floor.

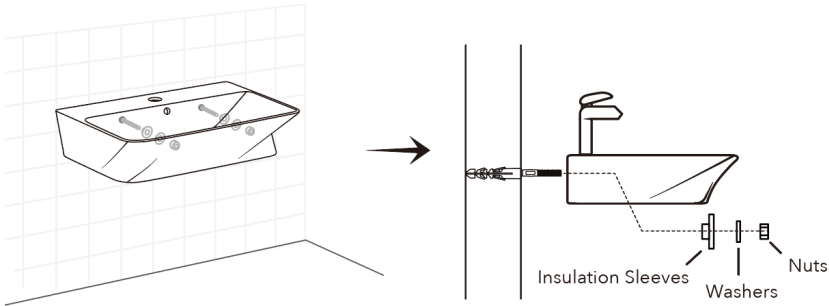


2. Drill holes at the marked spots on the wall, and insert the anchors and hanger bolts into these holes.

**NOTE:** Please wear safety glasses to prevent injury.



3. Fasten it in place as illustrated. Ensure not to tighten the bolts excessively as this could lead to chipping or cracking of the sink.

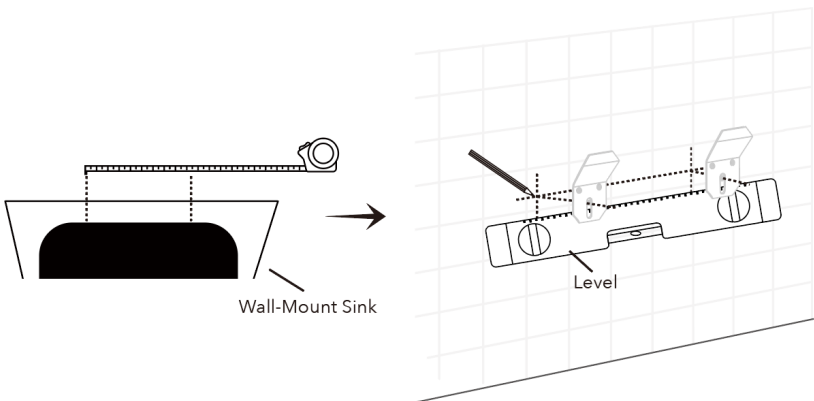


**TIPS:** This sink can also be installed above the counter. If you prefer above-counter installation, please scan the QR code for more information.



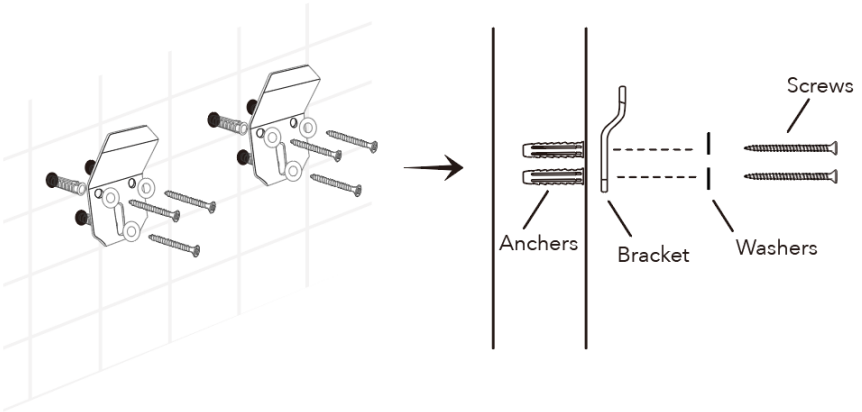
**Without Mounting Holes**

1. Measure the spacing of the mounting brackets on the back of the sink, then determine the fixed position on the wall.

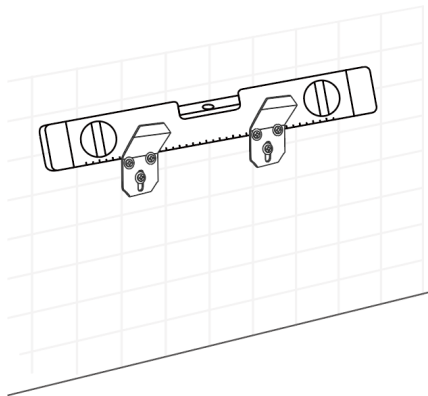


2. Drill holes at the marked spots on the wall, insert the anchors, and fasten the brackets with screws.

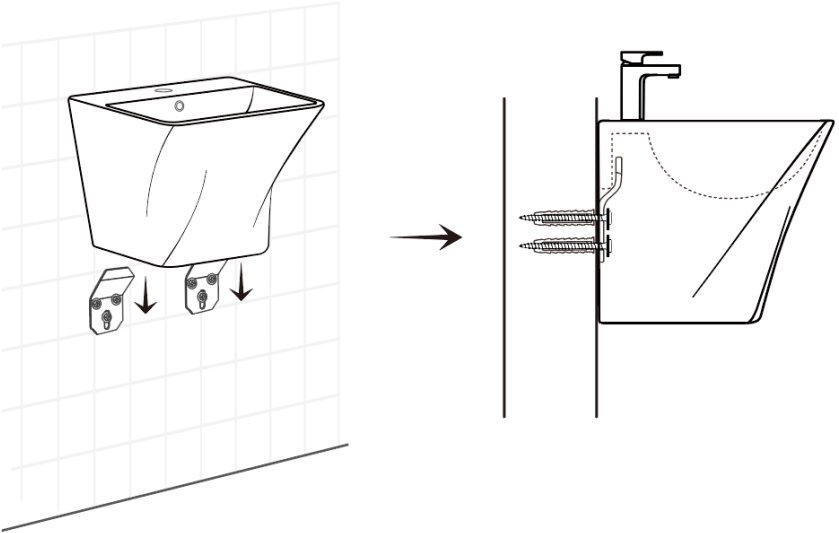
**NOTE:** Please wear safety glasses to prevent injury.



3. Ensure the levelness of the brackets.

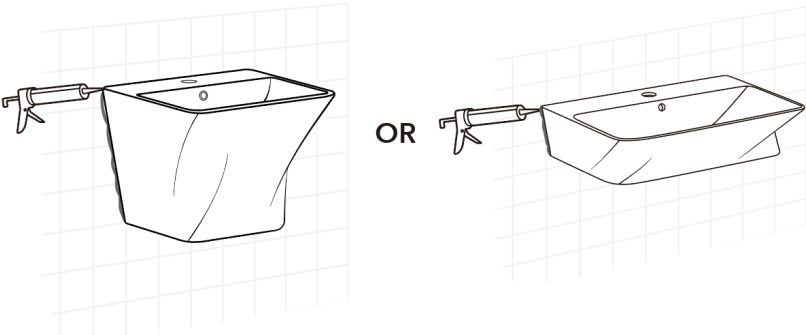


4. Lower the sink onto the bracket.



#### Step 4: Seal The Sink

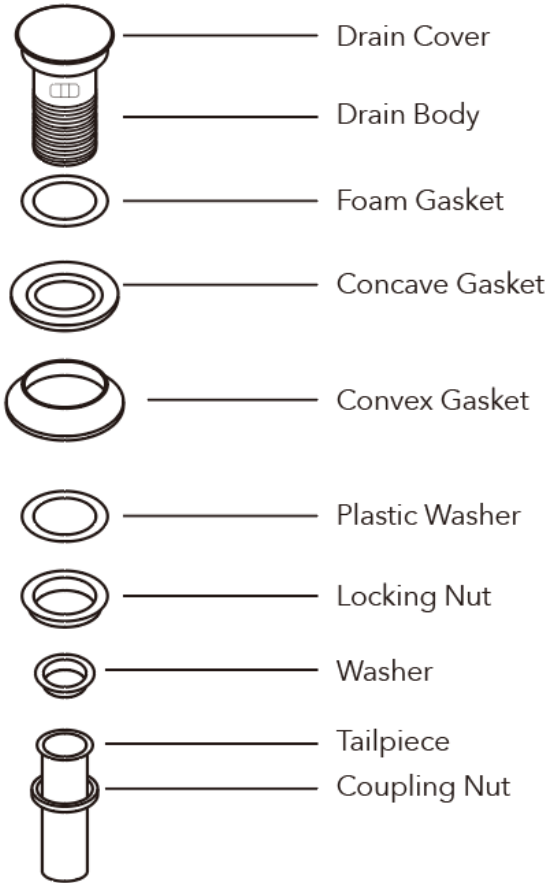
- Apply a bead of clear silicone sealant (or preferred adhesive) around the sink if additional sealing is needed.



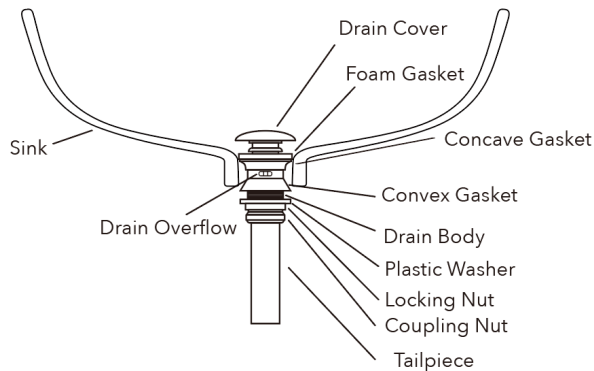
### Step 5: Install The Drain And Plumbing

Drain

- Take out the drain from the box and disassemble it.

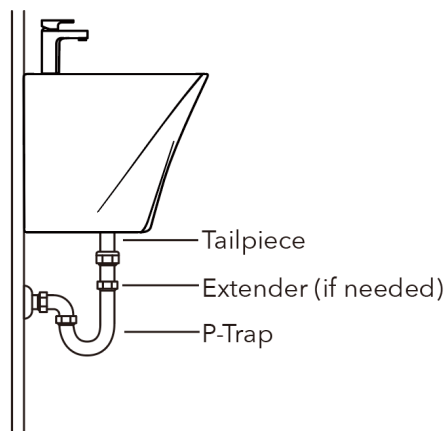


- Place the components into the drain opening as illustrated. Align the overflow hole on the drain body with the overflow hole on the sink. Use plumber's putty to enhance stability if needed.
- From the underside of the sink, apply the plumber's tape to the threading on the drain body.
- Slide in the components as illustrated. Use the adjustable wrench to tighten if needed.
- Place the washer inside the tailpiece. Thread the tailpiece onto the drain body until tight.



### Plumbing

- Fit the drain components as the provided guidelines and connect both the inlet and drainpipe fittings. (The illustration is for display purposes only)
- Run water into the sink and check for leaks.



## PRODUCT CLEANING & CARE

- **Shine:** Bring the glow back to your ceramic wall-mount sink simply by pouring vinegar directly into the bowl. Scrub the area with a nylon brush, thoroughly rinse it, and admire the surface's renewed finish, as good as new.
- **Sanitization:** Achieve a deep clean of your ceramic sink with a gentle chlorine-bleach cleaner, adhering strictly to the manufacturer's guidelines. For an alternative method, immerse the sink in a bleach solution (1 part bleach to 3 parts water) for 30 to 60 minutes. Afterward, drain, rinse well, and dry.
- **Scuffing:** To address light scuff marks, which appear as gray lines, apply a mixture of baking soda and water using a sponge or soft cloth. After applying, rinse and dry the area thoroughly. For stubborn stains, consider using a non-abrasive polishing cleanser, making sure to follow the manufacturer's directions.
- **Damage:** Ceramic's durability is one of its greatest attributes, yet it is not impervious to damage from heavy impacts, which can chip the surface. These chips can make the affected area more prone to staining and bacterial growth. Keep the damaged area clean and dry, and consult a professional plumber for repair options.
- **Clearing And Deodorizing The Overflow Hole:** Use a brush to clean, followed by boiling water to rinse the sink's overflow hole, preventing clogs and mold. For smells, use baking soda and vinegar, then rinse to keep the sink smelling clean.
- **Cleaning And Maintenance Recommendations:** For routine care, we advise washing enameled surfaces with soap and water after each use, followed by drying with a soft cloth. Though ceramic resists moisture well, it's beneficial to keep it as dry as possible. Avoid abrasive cleaners or sponges on your ceramic wall-mount sink, as these can scratch or mar the finish, detracting from its beauty and longevity.

## TROUBLESHOOTING GUIDE

### Water Splash:

- Adjusting the water pressure of your faucet can also help reduce splashing. High water pressure can cause harsh streams, leading to splashing.
- Consider using aerated faucets, which introduce air bubbles into the stream, reducing water pressure and providing a lighter and bubbly flow.

### Clogged Drain

- First, try using hot or boiling water, or a mixture of vinegar and baking soda, to break up minor blockages. If these methods do not work, consider using a commercial drain cleaner for its stronger cleaning power.

- If the issue persists, consider using tools like a plunger, a drain auger (also known as a snake), a Zip-It tool, or a wet-dry vacuum.
- Sinks often clog because hair gets caught in the drain. Remove the drain cover, clean out the hair, rinse it out, and put it back.
- If all else fails, clean the P-trap. Place towels and buckets under the sink, locate and unscrew the P-trap, clean it with water, dish soap, or vinegar, reassemble it, and test for proper drainage.

### **Sink Leakage**

- Inspect the seal between the sink and the countertop. Make sure it is intact and has no gaps or visible wear.
- Damaged or old seals may lead to leakage. Clean off the old caulk and apply a new layer of waterproof bathroom caulk or silicone sealant around the base of the sink where it meets the countertop.
- Ensure that the drain assembly is properly tightened. A loose drain can allow water to seep onto the countertop.
- Check the faucet and its connections for leaks. Ensure that the faucet is securely attached and that all connections are tight.
- After making adjustments, dry the area thoroughly and use the sink as usual to see if the issue persists.

### **Wobbling Or Loose Sink**

- If the seal is old and damaged, it may cause the sink to wobble. Remove the old seal with a putty knife, disconnect the drain, and take out the sink. Then clean the remaining seal off the countertop. Apply a fresh layer of silicone sealant between the sink and the countertop to improve stability and seal against water leaks.
- Examine the drain assembly for any looseness. Tighten the drain nut under the sink to secure the drain firmly to the sink.
- Ensure the countertop surface where the sink sits is flat and even. Uneven surfaces can cause the sink to wobble. If the surface is uneven, consider adding shims between the sink and countertop to level the sink.

## IMPORTANT CONSUMER INFORMATION

### Consumer Responsibilities For Wall-Mount Sink Maintenance

- Prevent damage by avoiding placing excessively heavy objects in or on your wall-mount sink. This avoids any potential for harm or instability.
- Regular maintenance is key. Use gentle and non-abrasive cleaning solutions on your wall-mount sink. Follow the manufacturer's cleaning instructions carefully to preserve the surface.
- Promptly address any drips or leaks from your faucet or pipes to avoid the nuisance of water leaks.
- Keep the drain clear of obstructions. Use a strainer to catch debris and clean the P-trap periodically. A plunger or drain snake can be invaluable tools for maintaining clear pipes.
- Professional assistance is recommended to ensure optimal performance and safety for installation, significant repairs, or complex plumbing issues.
- Ensure your sink and its surroundings are properly sealed with silicone sealant to protect against water intrusion.

### WARNING

- AVOID using abrasive cleaners, scouring pads, or steel wool on the sink. These materials can scratch and damage the finish.
- Handle your sink with care, particularly during installation. Wall-mount sinks can suffer chips or cracks from rough handling. Ensure it is properly and securely installed to avoid any risks.
- DO NOT overload the sink with heavy items. Wall-mount sinks are not designed to bear excessive weight, and overloading them could result in damage or a safety hazard.
- DO NOT place hot items directly on the surface of the sink to avoid the risk of cracking or discoloration.
- DO NOT alter the structure of the sink. Any modifications can compromise its integrity and safety.
- Prevent clogs by ensuring the drain remains free of debris. Blocked drains can cause water backup and potential damage.

# LIMITED WARRANTY COVERAGE

## TWO YEAR LIMITED WARRANTY

Los Flexi products are crafted with superior materials and impeccable workmanship, offering our customers reliable and long-lasting products. If defects in materials or craftsmanship are detected under standard use within the first two years of installation, Los Flexi will either supply replacement parts at no charge or, if deemed necessary, replace the product or its parts.

This warranty is exclusive to the original purchaser, and proof of purchase is mandatory for any claim.

This Warranty Will Be Voided If:

- The product's installation did not follow our recommendations.
- The product was relocated from its initial installation site.
- The product underwent any modifications from its original condition.
- The product suffered from neglect, misuse, chemical overuse, accidents, or any other damages.

Los Flexi does not imply that our products adhere to local building or plumbing codes. Consumers must ascertain local code compliance before and during installation. This warranty is strictly for the original purchaser and first consumer.

Los Flexi won't be held responsible for any consequential damages linked to the product's installation, replacement, return, or usage. This includes, but is not limited to, freight charges, labor, downtime, home damages, and other associated costs (e.g., professional services, investigations, audits, legal fees). This Los Flexi warranty clearly delineates our liability. Items not specified in this warranty fall outside Los Flexi's responsibility. In states with variations concerning implied warranties, our compliance is ensured.

**For any queries or concerns, feel free to reach out to us at**

Email: [cs@losflexi.com](mailto:cs@losflexi.com)  
Phone: (+1) 626-866-3163  
Site: [www.losflexi.com](http://www.losflexi.com)