

PRODUCT SPECIFICATIONS

Project Name _____ Date _____



Type or Model _____ Qty _____

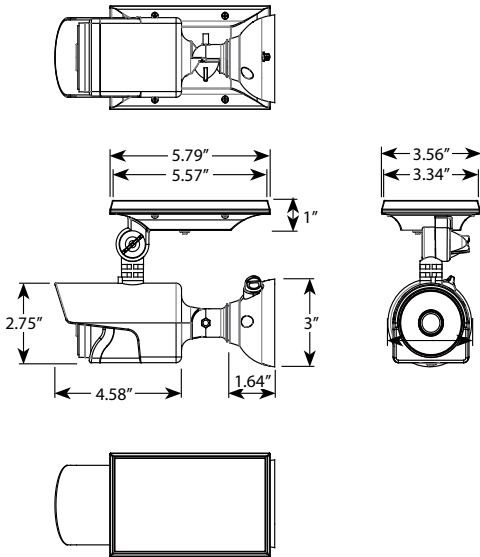
VOLT® Low Voltage Landscape Lighting LSAL-1100-PBK

PRODUCT DESCRIPTION

The motion sensing solar light is designed to enhance security and can provide wide illumination without delay. It features a built-in solar panel and motion sensor, an integrated LED light source, and offers multiple mounting options (options include: straps, stake, screws, or magnets). With a full-charge (approximately 6.5 hours), this fixture outputs 200 lumens of illumination and can be dimmed down to 25-50 lumens with a total operating time of 8-10 hours. Features (2) modes: Max light output from OFF once motion is detected, light on for 15 seconds. Or, ON at 25% light output then max output once motion is detected, bright light on for 15 seconds before reverting to 25% output.



PRODUCT DIMENSIONS



SPECIFICATIONS

- **Construction:** Plastic
- **Finish:** Black
- **Light Source:** Integrated
- **Powered by:** VOLT's Attached Solar Panel
- **Watts:** 3W
- **Lumens:** 200lm
- **Operating Hours:** 8-10hrs
- **Charge Time:** 6.5 hrs
- **CCT:** 3000K

WARRANTY

2 Years

FEATURES & BENEFITS

- Plastic Construction.
- Multiple mounting options
- Multiple mode settings.
- Long operating hours
- Adjustable knuckles allows light to be precision aimed.