

DW80CG5451

SAMSUNG

Smart 46 dBA Dishwasher with StormWash™



Available Colors

 **Fingerprint Resistant
Stainless Steel**
DW80CG5451SR

 **Fingerprint Resistant
Matte Black Steel**
DW80CG5451MT

Features

- StormWash™
- 3rd Rack
- Full Stainless Steel Interior
- AutoRelease Door
- 46 dBA Noise Level
- Hidden Touch Controls
- One-Touch Adjustable Racking System
- Fingerprint Resistant Stainless Finish
- 3 Spray Wash Arms (Upper, Middle, Lower)

Convenience

- Wi-Fi Connectivity
- Control Lock
- Delay Start
- Digital Leak Sensor
- Silverware Basket
- 15 Place Settings
- Foldable Cup Shelves
- Adjustable Tines
- Hidden Heat Element

Additional Specifications

7 Wash Cycles:

Auto, Normal, Heavy, Delicate, Pre-Blast, Express 60, Rinse Only, Download Cycle

7 Options:

StormWash™, Delay Start, Half-Load Wash (Lower Rack), Sanitize (NSF Certified), Hi-Temp Wash, Control Lock, Smart Control

Rating



ENERGY STAR®
Rated:

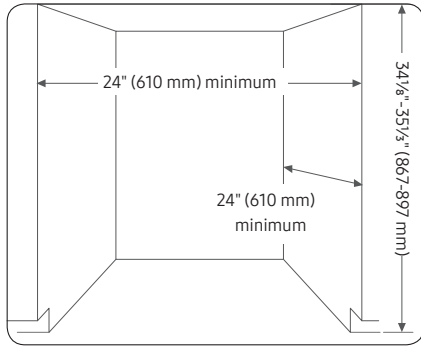
239 kWh/yr

DW80CG5451

SAMSUNG

Smart 46 dBA Dishwasher with StormWash™

Installation Specifications



NOTE

This dishwasher is designed to be enclosed on the top and on both sides by a standard residential kitchen cabinet unit.

The installation cabinet must be clean and free of any obstructions.

The cabinet must be at least 24 inches wide, 24 inches deep, and 34 1/8 inches high.

For the front door of the dishwasher to be flush with the leading edge of the counter top, the counter top must be at least 25 inches deep.

Dimensions

Product Dimensions & Weight (WxHxD)

Dimensions: 23⁷/₈" x 33⁷/₈" to 35" x 27⁵/₁₆"

Weight: 84 lbs

Shipping Dimensions & Weight (WxHxD)

Dimensions: 26" x 34⁷/₈" x 29³/₄"

Weight: 91 lbs

Warranty

One (1) Year Parts and Labor

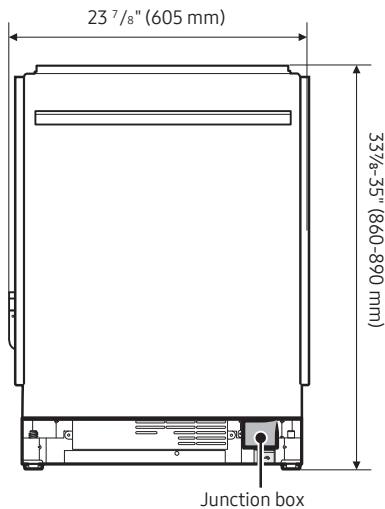
Five (5) Years, Printed Circuit Board, Racking and Stainless Door Liner & Tub for Leakage (Parts Only)

UPC

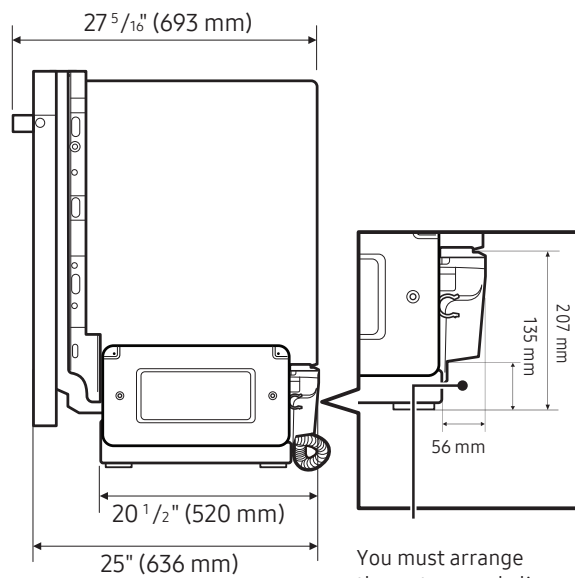
Color	Model #	UPC Code
Fingerprint Resistant Stainless Steel	DW80CG5451SR	887276763866
Fingerprint Resistant Matte Black Steel	DW80CG5451MT	887276761473

Dimensions

Front View



Side View



You must arrange the water supply line, power cable and drain hose in the space behind the dishwasher.